



US00D941530S

(12) **United States Design Patent**
Chen

(10) **Patent No.:** **US D941,530 S**

(45) **Date of Patent:** **** Jan. 18, 2022**

(54) **SHAVER**

(71) Applicant: **Zhongmei Chen**, Guizhou Province
(CN)

(72) Inventor: **Zhongmei Chen**, Guizhou Province
(CN)

(73) Assignee: **Wenzhou Jingke Electrical Appliance Co., Ltd.**, Wenzhou (CN)

(**) Term: **15 Years**

(21) Appl. No.: **29/782,828**

(22) Filed: **May 10, 2021**

(30) **Foreign Application Priority Data**

Dec. 17, 2020 (CN) 202030778897.7

(51) **LOC (13) Cl.** **28-03**

(52) **U.S. Cl.**
USPC **D28/50**

(58) **Field of Classification Search**
USPC D28/50-54
CPC ... B26B 19/3853; B26B 19/14; B26B 19/141;
B26B 19/143; B26B 19/145; B26B
19/146; B26B 19/148
See application file for complete search history.

(56) **References Cited**

U.S. PATENT DOCUMENTS

D693,060 S * 11/2013 Lyles D28/50
D808,077 S * 1/2018 Boulanger D28/50

D841,245 S * 2/2019 Chen D28/50
D853,645 S * 7/2019 Stowers D28/50
D914,290 S * 3/2021 Kulshreshtha D28/50
D924,486 S * 7/2021 Chen D28/50

OTHER PUBLICATIONS

Electric Shaver for Men by Vsmooth, www.amazon.com, first available Nov. 2020, 1 page (Year: 2020).*
AidallsWellup 7D 5 in 1 Shaver, www.amazon.com, 1 page, reviewed as early as Feb. 13, 2021 (Year: 2021).*

* cited by examiner

Primary Examiner — Jennifer Rivard

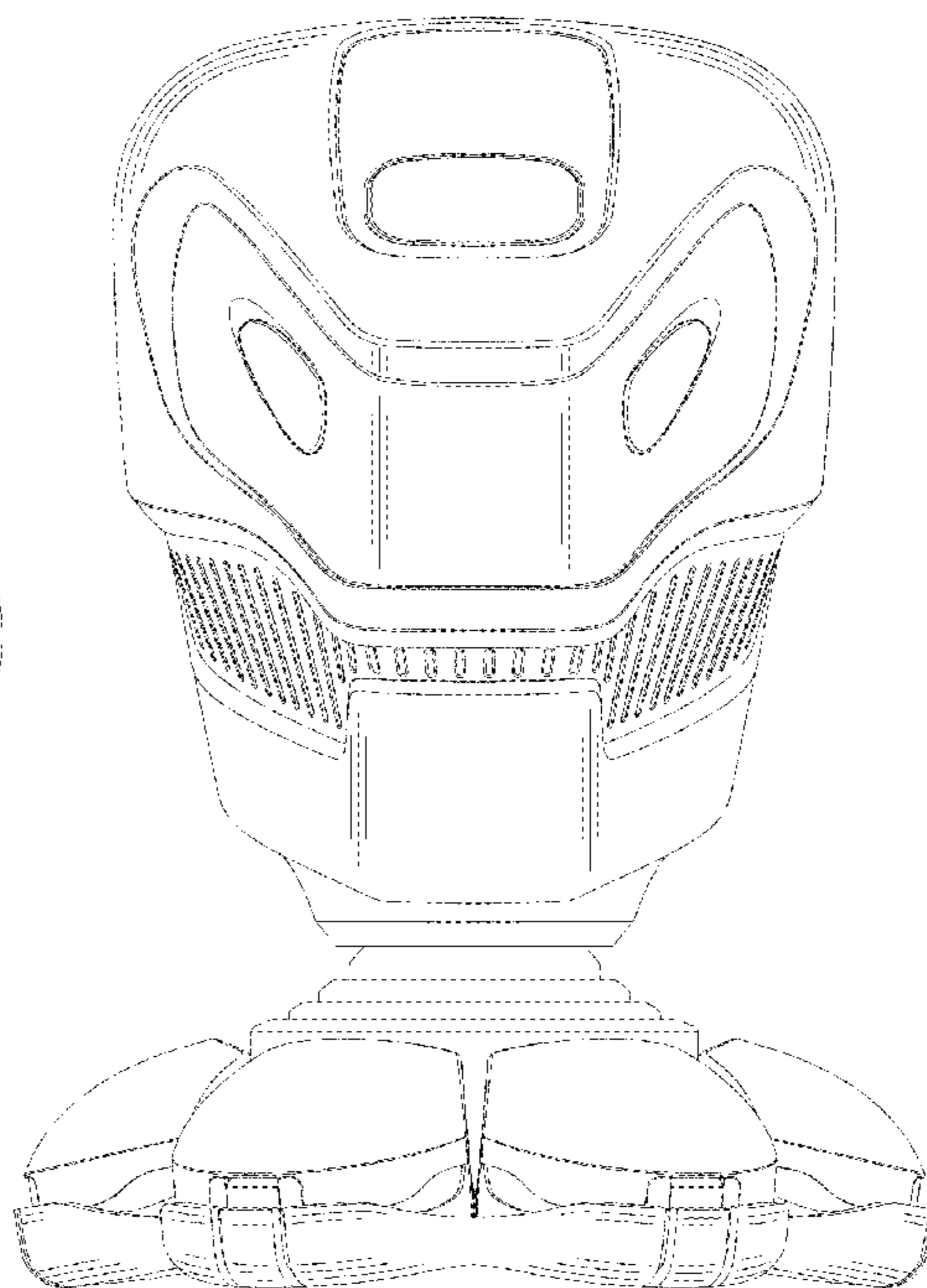
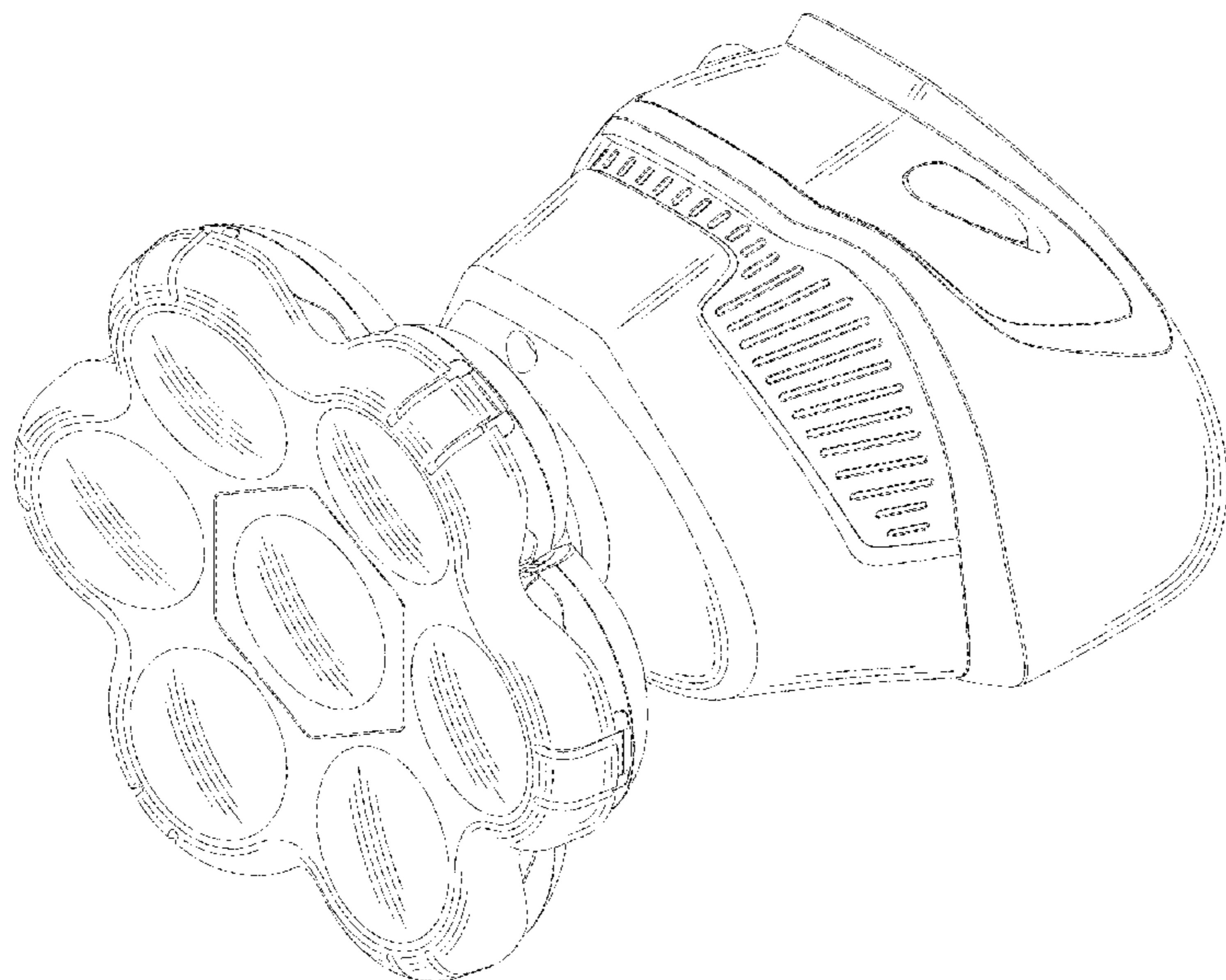
(57) **CLAIM**

The ornamental design for a shaver, as shown and described.

DESCRIPTION

FIG. 1 is a perspective view of a shaver showing my new design;
FIG. 2 is a front elevational view thereof;
FIG. 3 is a top plan view thereof;
FIG. 4 is a left side elevational view thereof;
FIG. 5 is a rear elevational view thereof;
FIG. 6 is a right side view thereof; and,
FIG. 7 is a bottom plan view thereof.
The broken lines shown in the figures are for the purpose of illustrating portions of the shaver, which form no part of the claimed design.

1 Claim, 7 Drawing Sheets



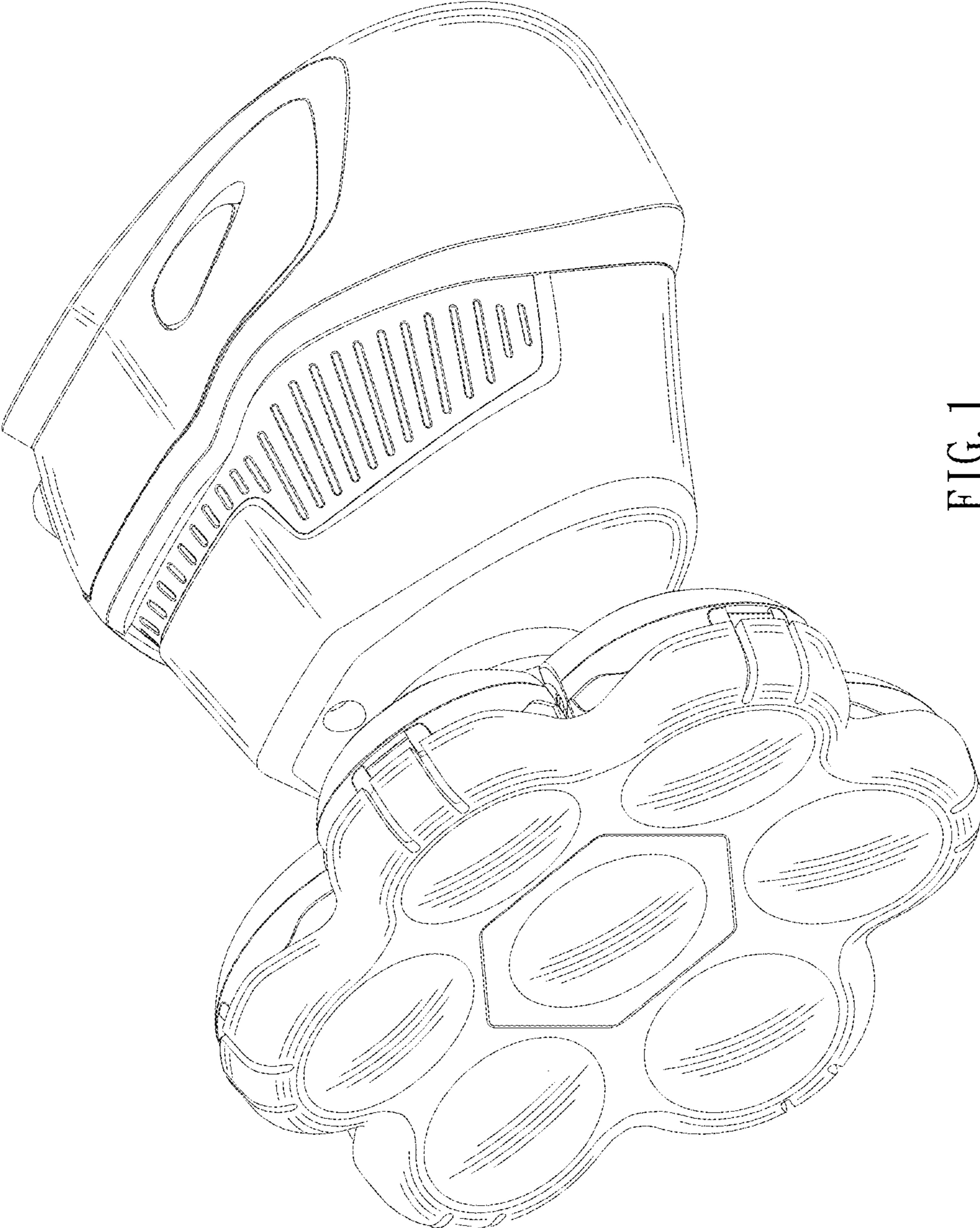


FIG. 1

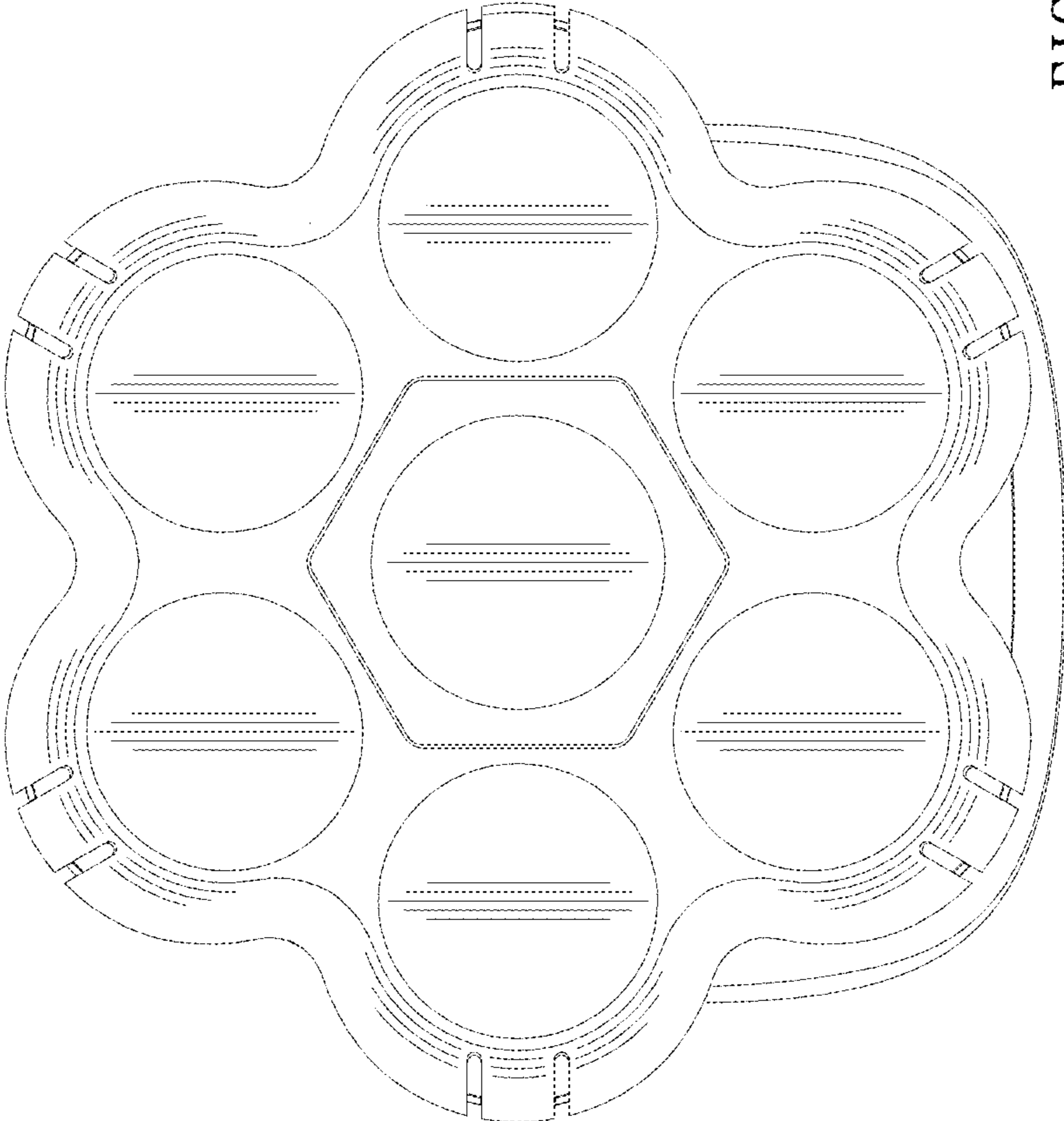


FIG. 2

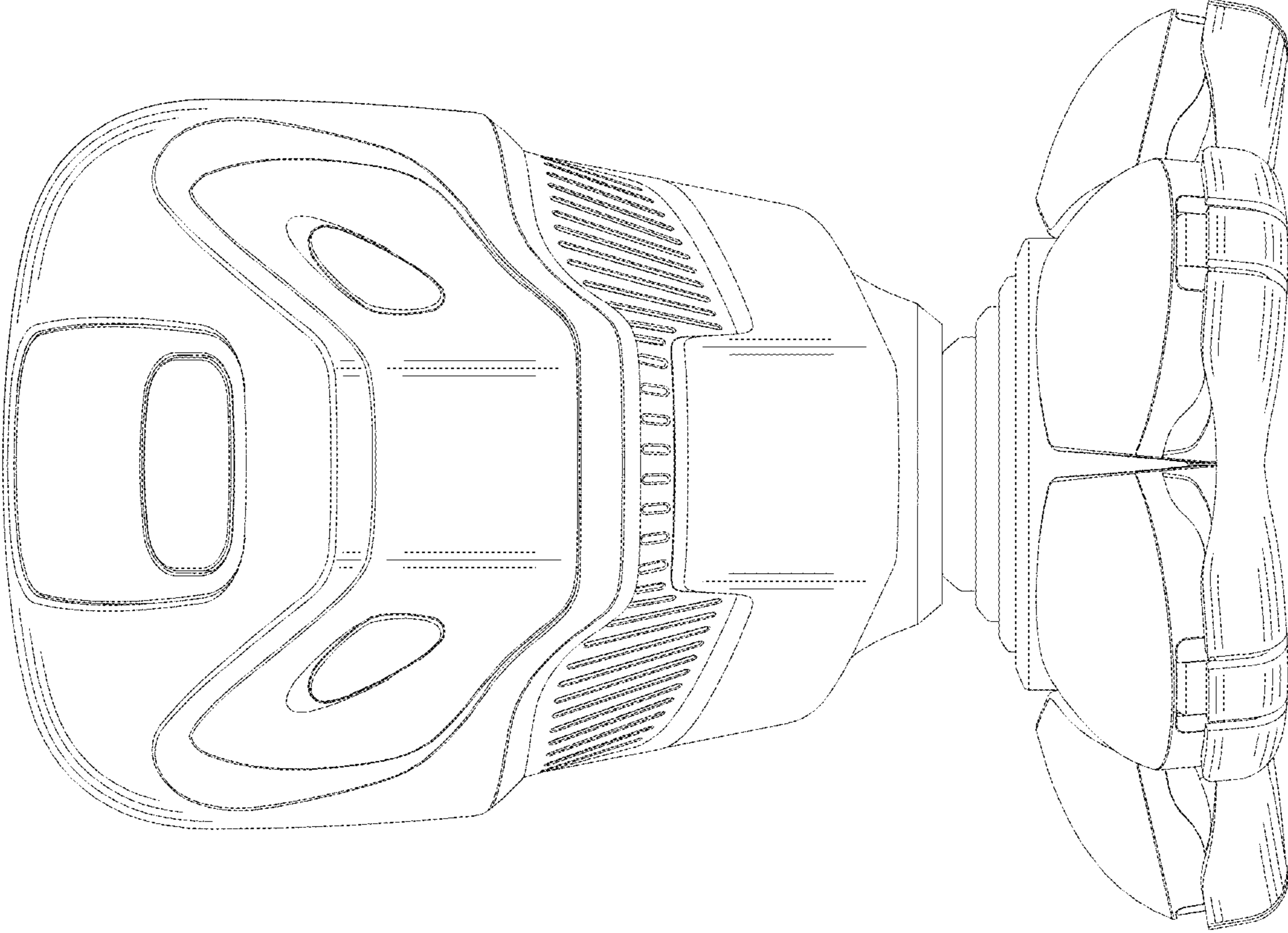


FIG. 3

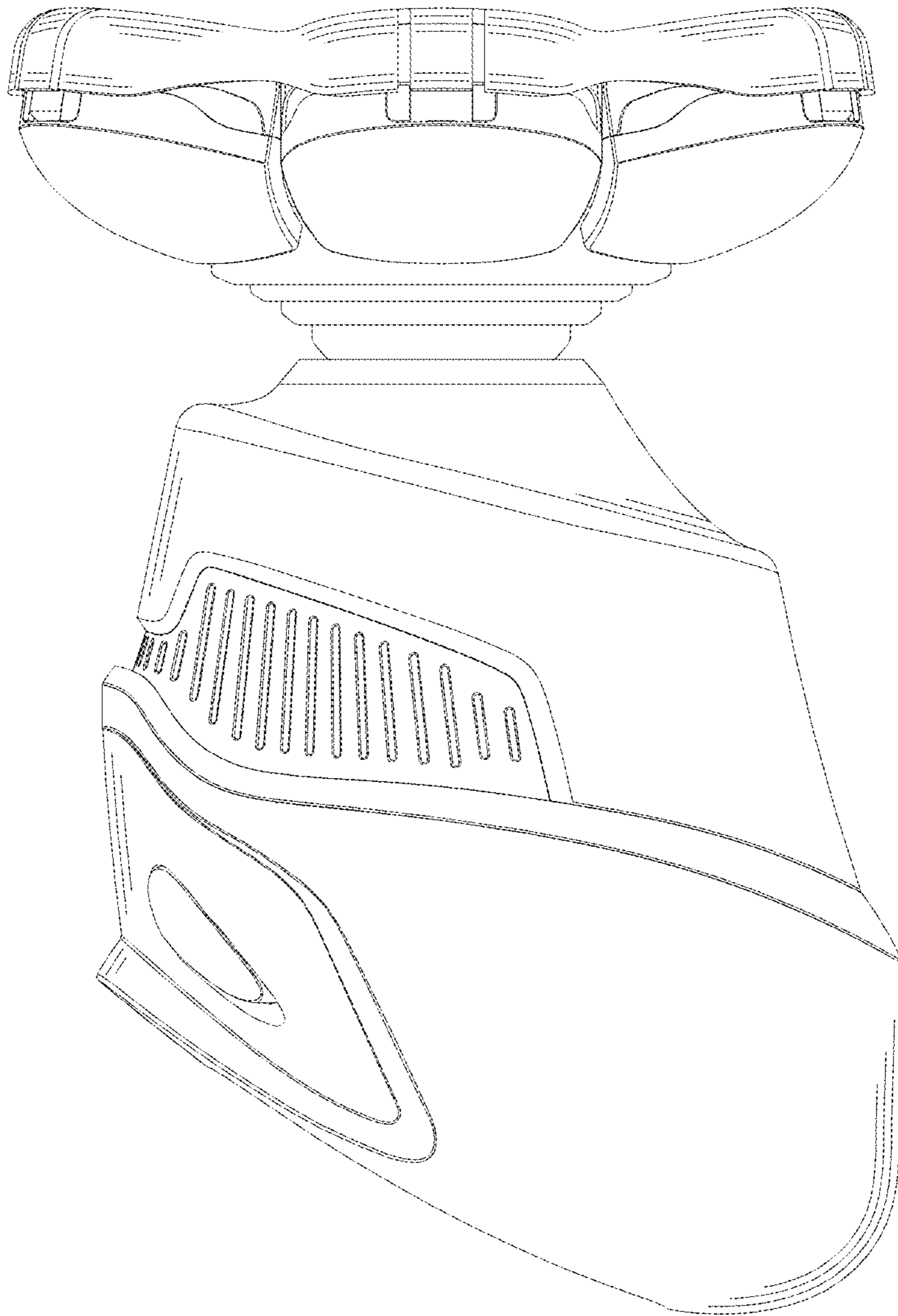


FIG. 4

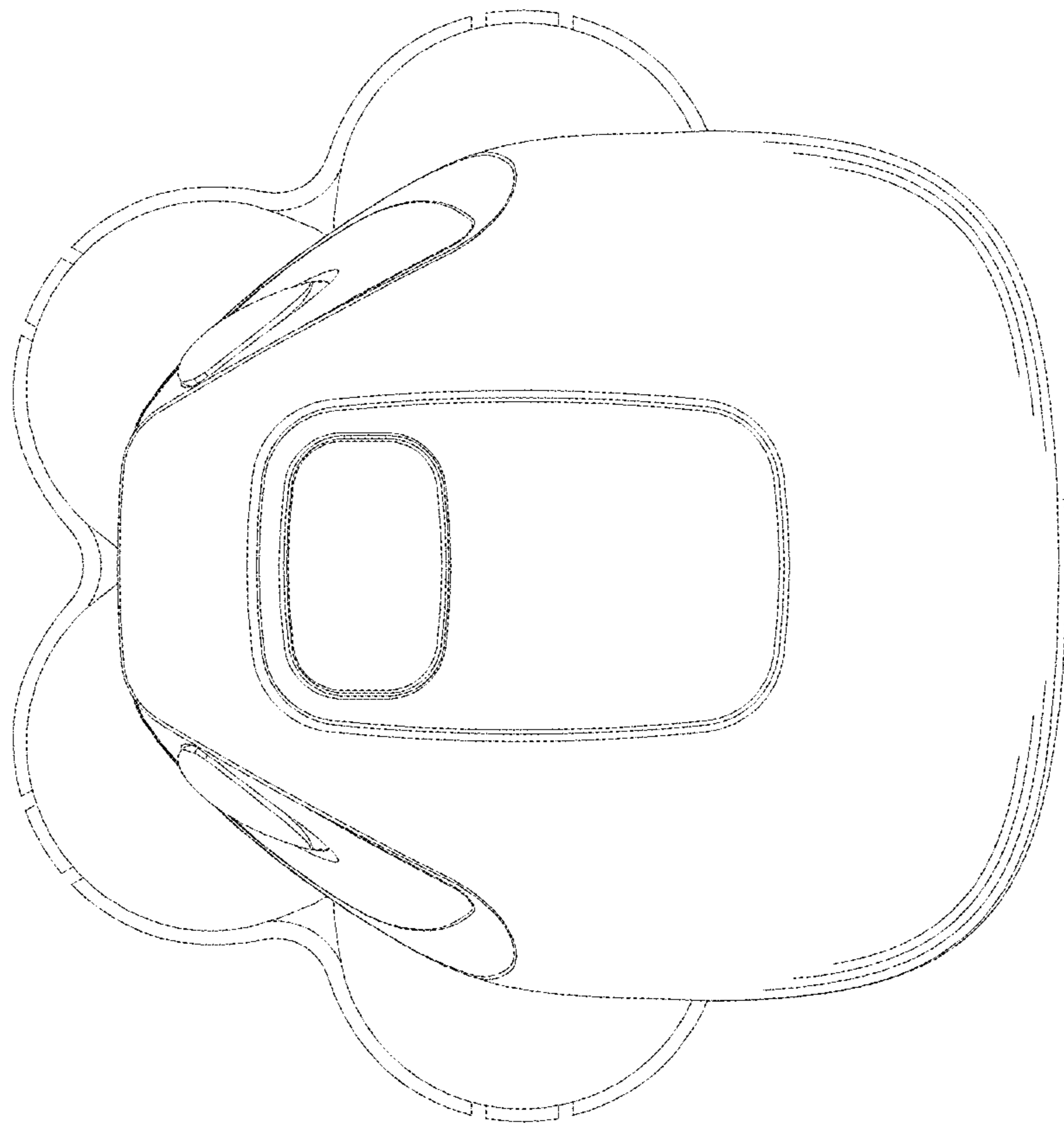


FIG. 5

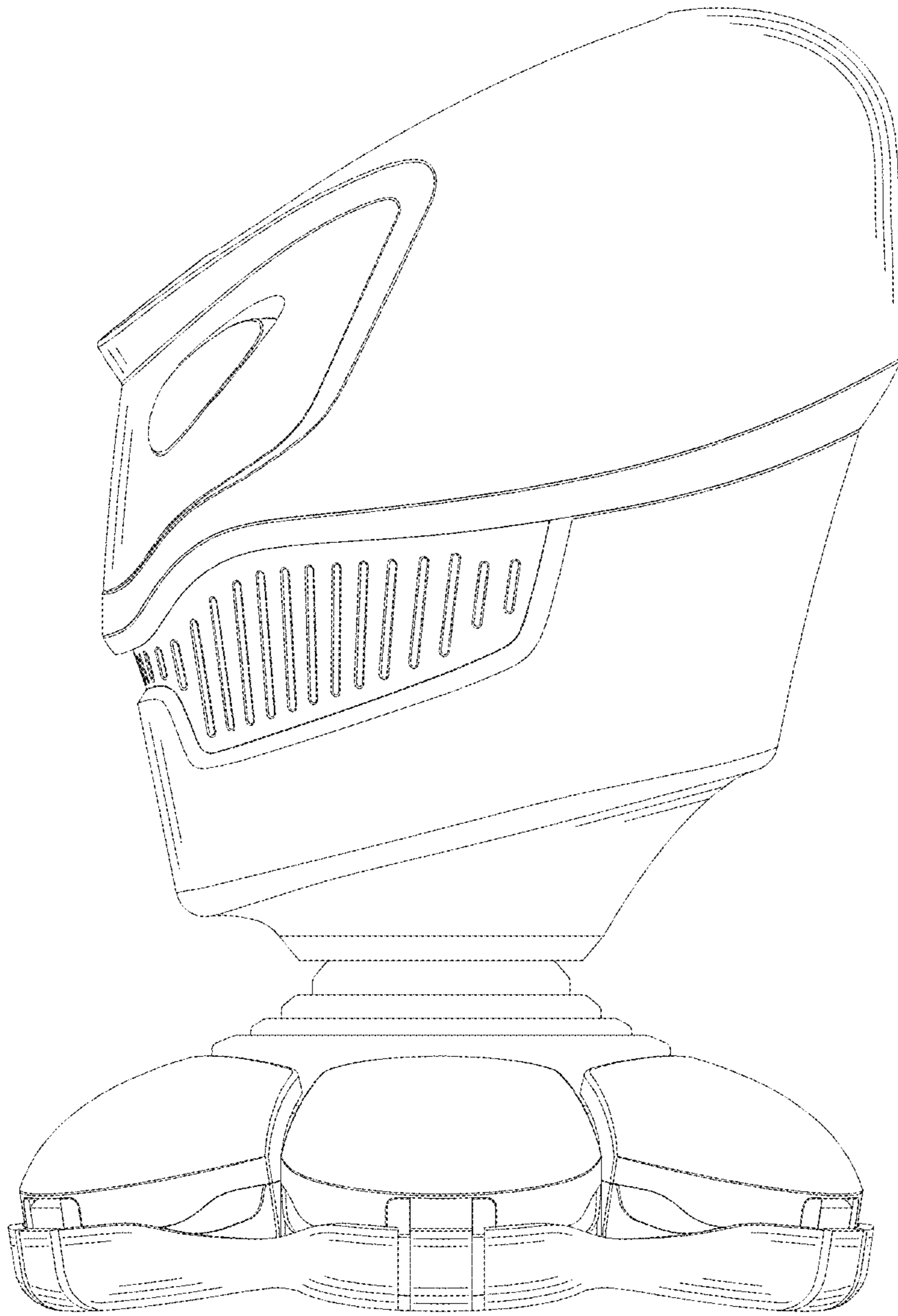


FIG. 6

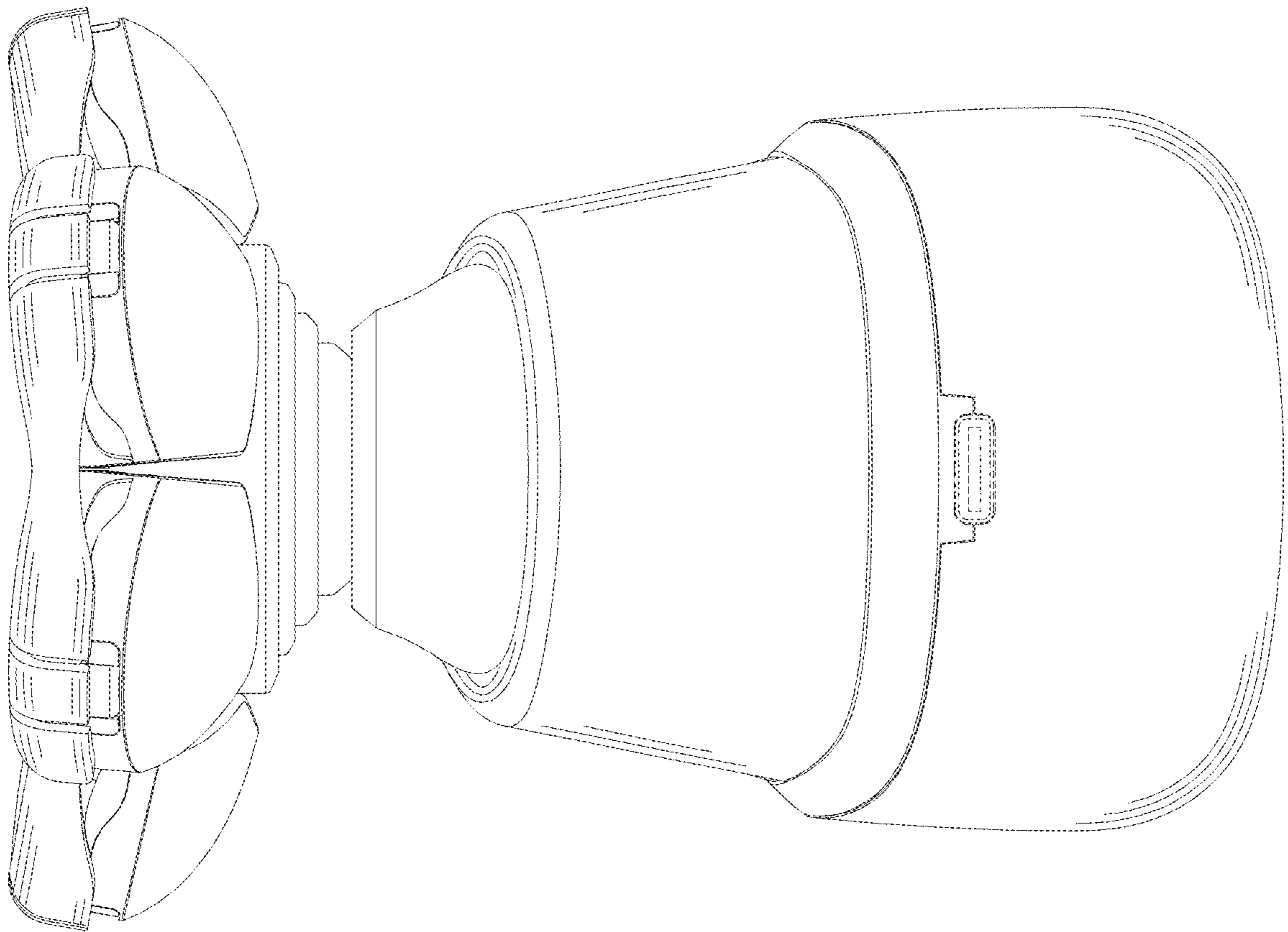


FIG. 7