



US00D941526S

(12) **United States Design Patent**
Hillebrecht et al.

(10) **Patent No.:** **US D941,526 S**
(45) **Date of Patent:** **** Jan. 18, 2022**

(54) **HAIR DRYER**

(71) Applicant: **Helen of Troy Limited**, St. Michael (BB)

(72) Inventors: **Luke Hillebrecht**, El Paso, TX (US);
Jesse Thomas, El Paso, TX (US)

(73) Assignee: **Helen of Troy Limited**, St. Michael (BB)

(**) Term: **15 Years**

(21) Appl. No.: **29/703,765**

(22) Filed: **Aug. 29, 2019**

(51) **LOC (13) Cl.** **28-03**

(52) **U.S. Cl.**
USPC **D28/15**; D28/35; D4/100; D4/128

(58) **Field of Classification Search**
USPC D4/100, 102, 116, 117, 118, 121, 122,
D4/123, 124, 125, 126, 127, 128, 129,
D4/130, 132, 133, 134, 135, 136, 138,
D4/199; D28/7, 10, 13, 15, 18, 24, 25,
D28/26, 28, 35
CPC A46B 9/06; A46B 9/023; A46B 9/028;
A46B 5/00; A46B 5/02; A46B 5/0025;
A46B 15/003; A46B 2200/104; A46B
15/0087; A46B 15/0089; A45D 20/00;
A45D 20/08; A45D 20/48; A45D 20/50;
A45D 20/52; A45D 24/007; A45D 2/001;
A45D 2/002

See application file for complete search history.

(56) **References Cited**

U.S. PATENT DOCUMENTS

D383,245 S *	9/1997	Seifert	D28/13
D557,017 S *	12/2007	Kampel	D4/128
D658,892 S *	5/2012	Console	D4/121
D817,643 S *	5/2018	Valle	D4/100
10,098,433 B2 *	10/2018	Habibi	A45D 20/48
D832,591 S *	11/2018	Kuo	D4/128

D856,683 S *	8/2019	Rennette	D4/128
D859,739 S *	9/2019	Bourgeois	D28/15
D879,374 S *	3/2020	Liao	D28/13
D880,061 S *	3/2020	Liao	D28/15
D898,375 S *	10/2020	Robbins	D4/121

(Continued)

FOREIGN PATENT DOCUMENTS

CN	304060220	*	2/2017
EM	003419027-0001	*	11/2016

(Continued)

OTHER PUBLICATIONS

“Hot Or Not? A Helen Of Troy One Step Hot Air Brush Review,”
Helen of Troy Hot Air Brush [online] review by Essie. Original
publication date unknown. [Retrieved from the Internet Apr. 6,
2021.] <URL: [https://www.essiebutton.com/hot-tools-hot-air-brush-
review/](https://www.essiebutton.com/hot-tools-hot-air-brush-review/)>.*

(Continued)

Primary Examiner — Angela J Lee
Assistant Examiner — Rebekah A Caruso
(74) *Attorney, Agent, or Firm* — Rankin, Hill & Clark
LLP

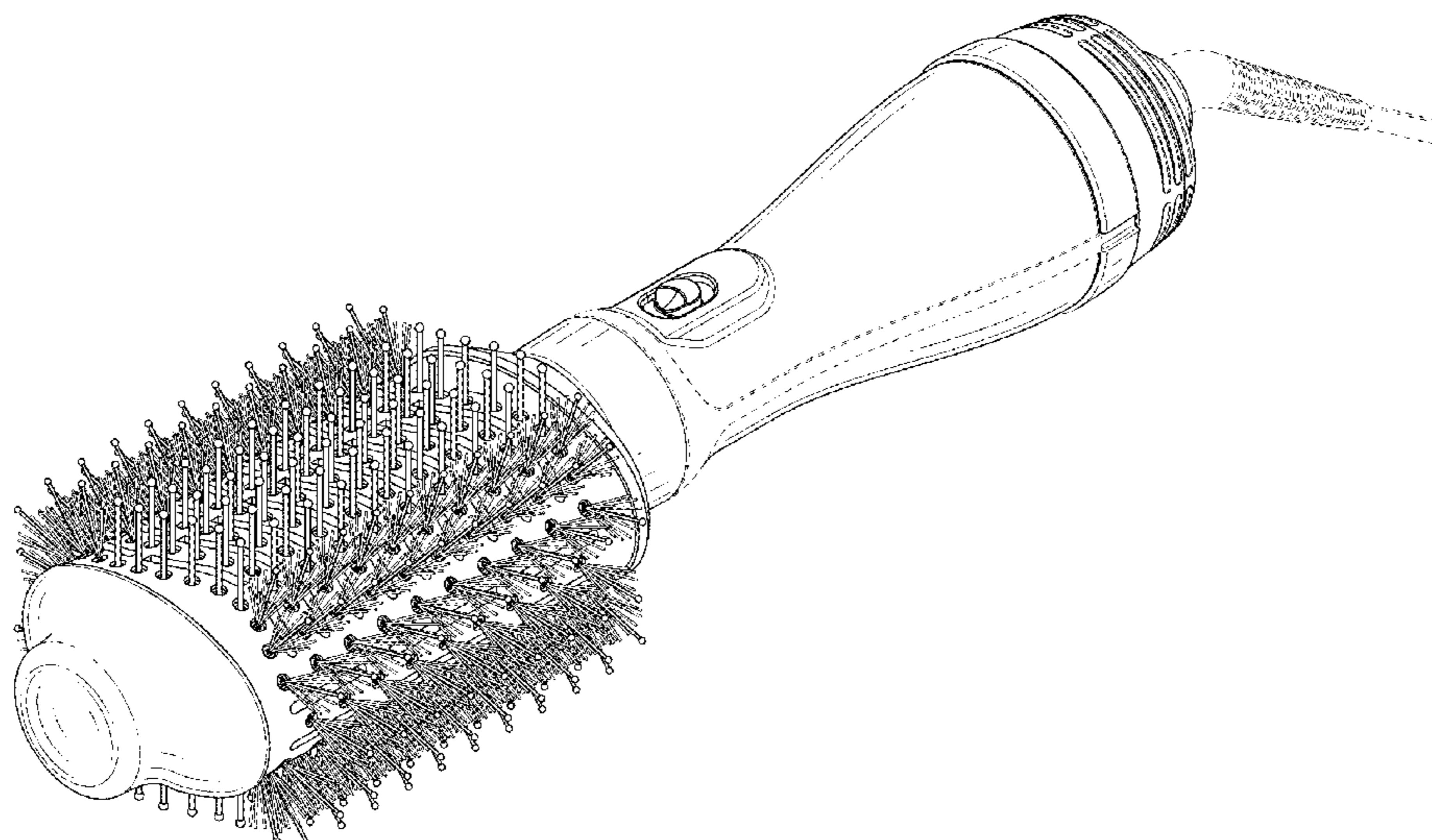
(57) **CLAIM**

The ornamental design for a hair dryer, as shown and
described.

DESCRIPTION

FIG. 1 is a perspective view of a hair dryer;
FIG. 2 is a front elevation view thereof;
FIG. 3 is a rear elevation view thereof;
FIG. 4 is a right side elevation view thereof;
FIG. 5 is a left side elevation view thereof;
FIG. 6 is a top plan view thereof; and,
FIG. 7 is a bottom plan view thereof.
The broken lines in the drawings depict portions of the hair
dryer that form no part of the claimed design.

1 Claim, 7 Drawing Sheets



(56)

References Cited

U.S. PATENT DOCUMENTS

D899,781	S	*	10/2020	Liang	D4/100
D901,772	S	*	11/2020	Huang	D28/35
D901,898	S	*	11/2020	Zhanye	D4/102
D902,482	S	*	11/2020	Koenemann	D28/35
D902,603	S	*	11/2020	Zhanye	D4/102
D903,941	S	*	12/2020	Koenemann	D28/35
D908,956	S	*	1/2021	Kwok	D28/35
D915,775	S	*	4/2021	Moon	D4/128
D916,368	S	*	4/2021	Koenemann	D28/35
D916,370	S	*	4/2021	Zhang	D28/35
D916,468	S	*	4/2021	Rennette	D4/128
D917,173	S	*	4/2021	Li	D4/100
D917,886	S	*	5/2021	Ma	D4/100
D921,291	S	*	6/2021	Zhang	D28/35
11,019,900	B1	*	6/2021	Sellers	A45D 2/127
D929,132	S	*	8/2021	Hinds	D4/128

FOREIGN PATENT DOCUMENTS

EM	007492046-0001	*	2/2020
EM	007805163-0001	*	6/2020
GB	6078213	*	12/2019
MX	52182-0001	*	4/2018

OTHER PUBLICATIONS

Bed Head One-Step Hair Dryer and Volumizer Hot Air Brush [online]. Original publication date unknown. [Retrieved from the Internet Apr. 6, 2021.] <URL: <https://www.amazon.com/Bed-Head-One-Step-Volumizer-Violet/dp/B0876WZZVQ/>>.*

Revlon One-Step Hair Dryer and Volumizer Hot Air Brush [online]. Original publication date unknown. [Retrieved from the Internet Apr. 6, 2021.] <URL: <https://www.amazon.com/Revlon-Dryer-Volumizer-Brush-Turquoise/dp/B07Z5QSYDD/>>.*

Revlon One-Step Hair Dryer and Volumizer Brush [on-line] review by Jessica Flores. Posted Apr. 16, 2019. [Retrieved from the Internet Apr. 8, 2021.] <URL: <https://findingfloro.com/revlon-one-step-hair-dryer-brush/>>.*

Mandi Hot Selling 2 in 1 1000w Hot Hair Hair Brush Hair Dryer Brush . . . [online]. Original publication date unknown. [Retrieved from the Internet Apr. 8, 2021.] <URL: https://www.alibaba.com/product-detail/Mandi-hot-selling-2-in-1_62482440739.html>.*

Meraif electric hair curling brush . . . [online]. Original publication date unknown. [Retrieved from the Internet Apr. 8, 2021.] <URL: <http://www.wickonsmt.com/sale-11488235-meraif-hot-sale-2-in-1-hair-straightener-curling-iron-brush-rotating-electric-ionic-hair-brush.html>>.*

One Step Hair Dryer and Styler Volumizer . . . By PrettyQueen [online]. Original publication date unknown. [Retrieved from the Internet Apr. 8, 2021.] <URL: <https://www.amazon.com/Dryer-Styler-Volumizer-Straightener-Hairstyle/dp/B07M9JDFNG>>.*

Hair Dryer Brush,Hot Air Hair Brush 4 in 1 Electric One Step Hair Blow Dryer . . . By JoyJuly [online]. Original publication date unknown. [Retrieved from the Internet Apr. 8, 2021.] <URL: <https://www.amazon.com/Electric-Volumizer-Negative-Styling-Straightener/dp/B081KS42CD>>.*

Hair Dryer Brush . . . By NutPot [online]. Original publication date unknown. [Retrieved from the Internet Apr. 8, 2021.] <URL: <https://www.amazon.com/Brush%EF%BC%8COne-Volumizer-Rotating-Straightening-Negative/dp/B083GK8HH2?th=1>>.*

* cited by examiner

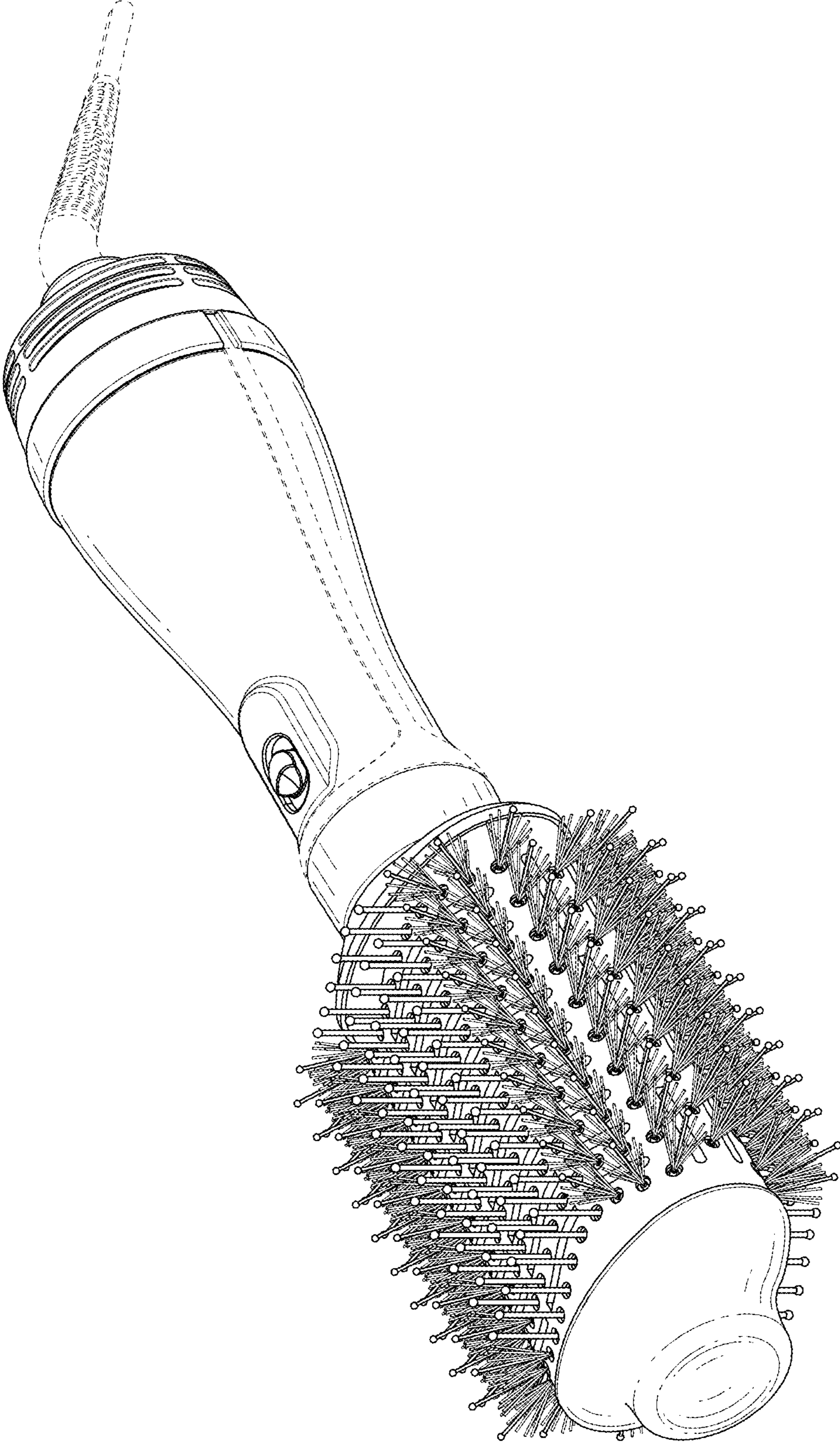


FIG. 1

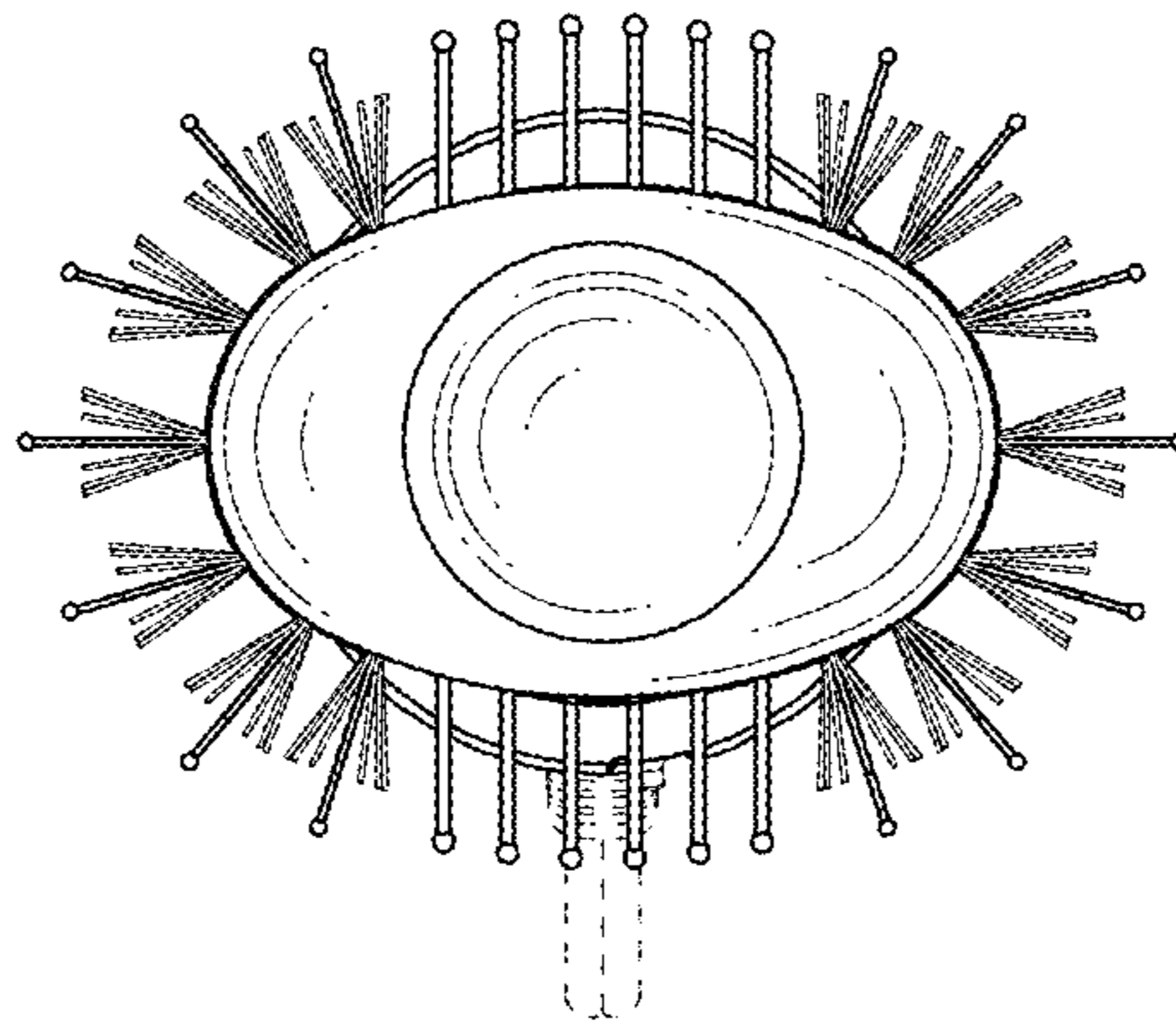


FIG. 2

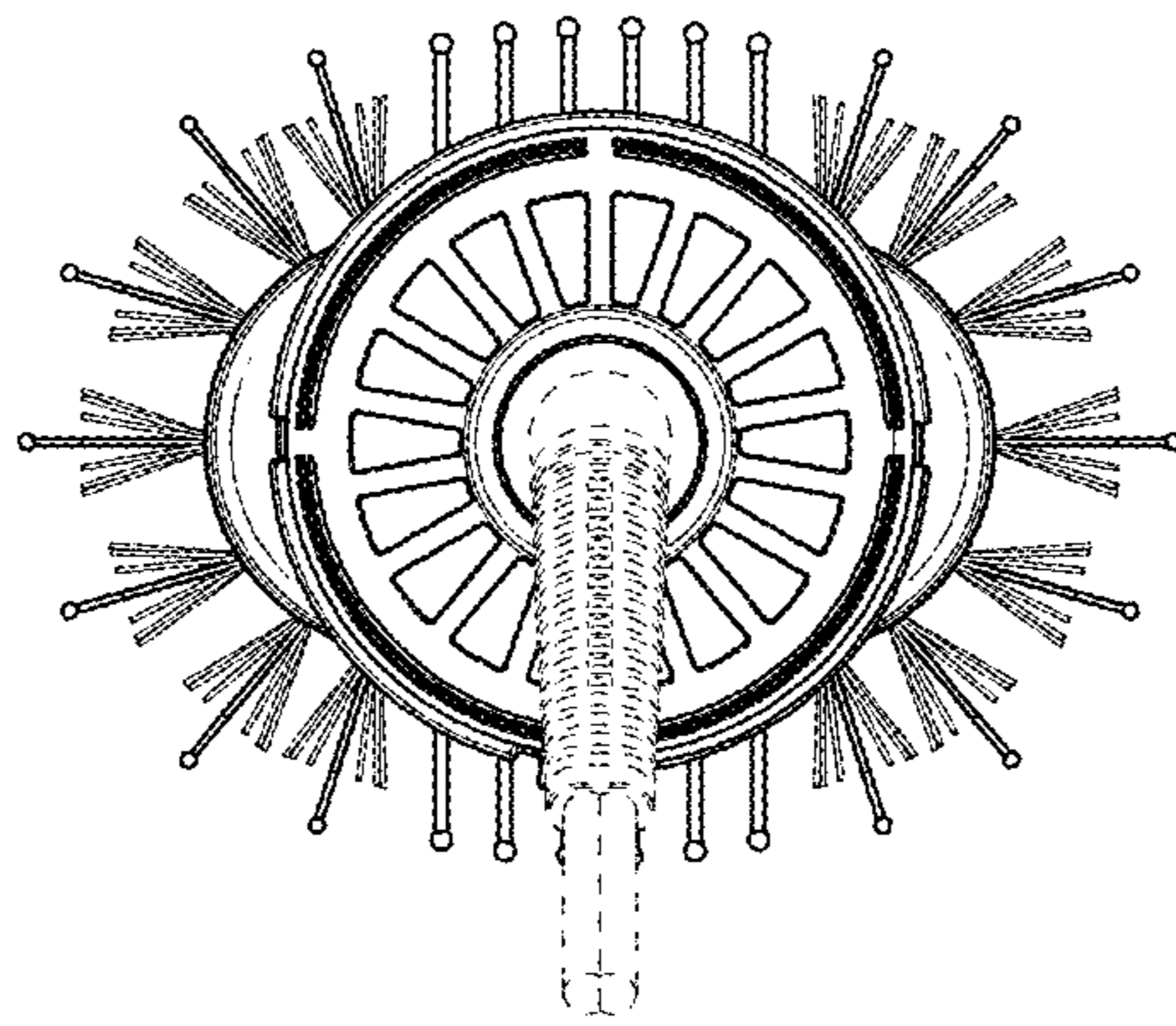


FIG. 3

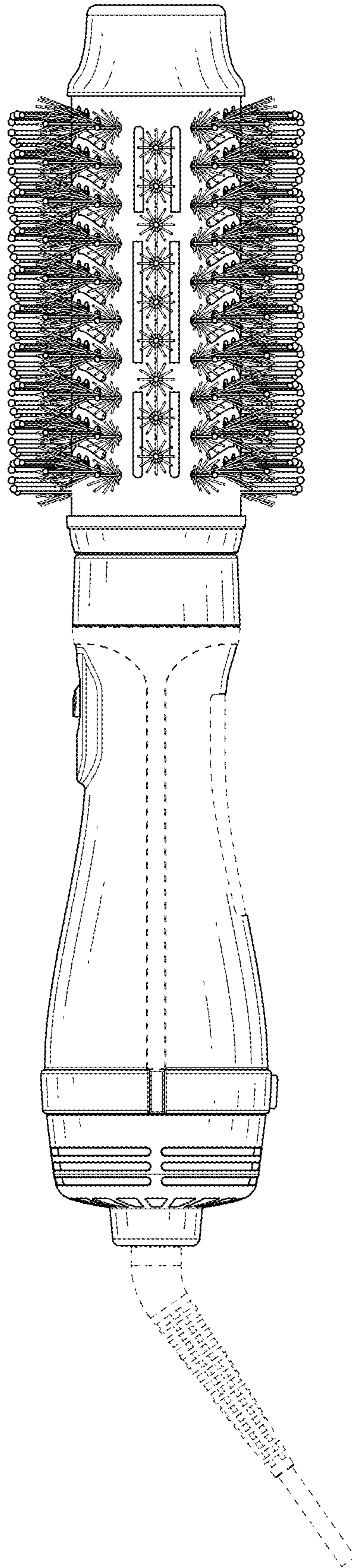


FIG.4

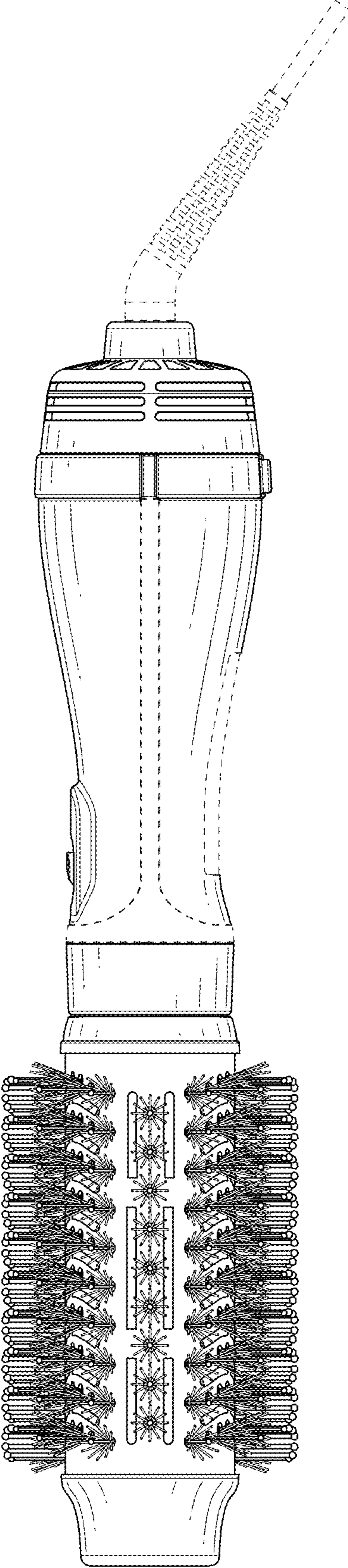


FIG. 5

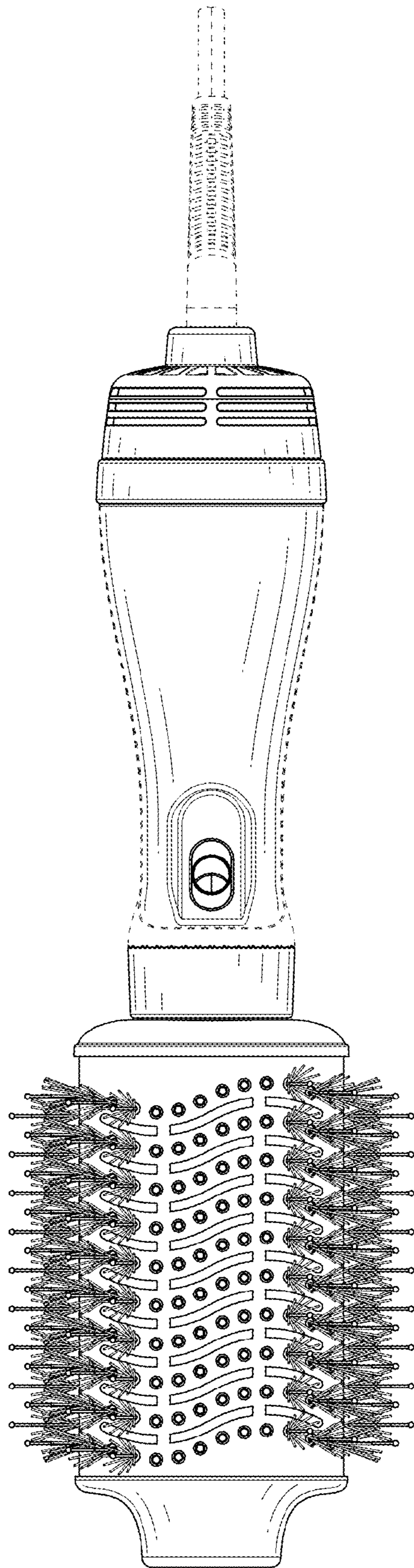


FIG. 6

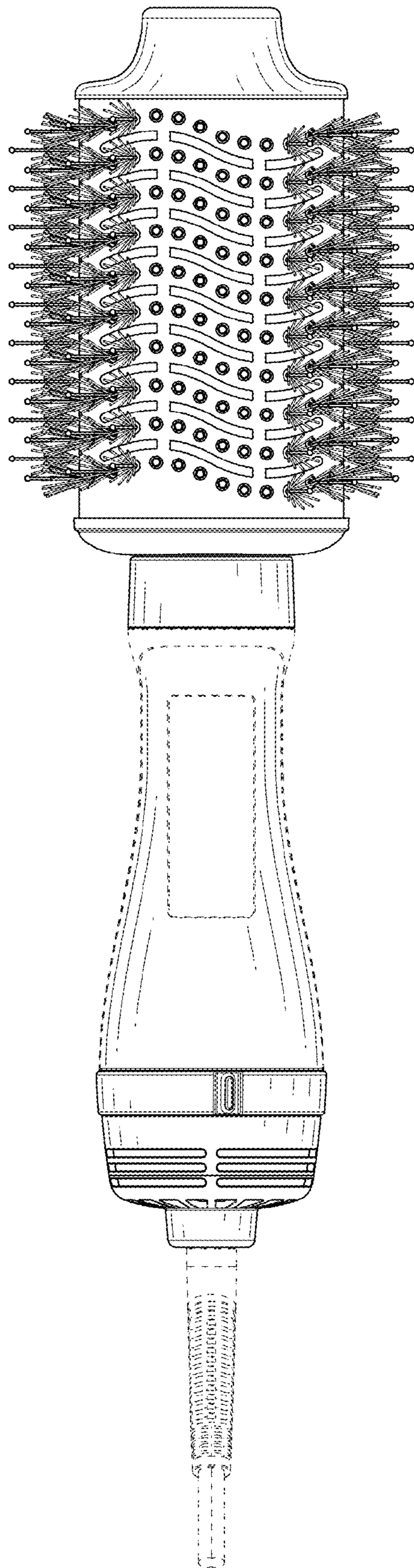


FIG. 7