



US00D941525S

(12) **United States Design Patent** (10) **Patent No.:** **US D941,525 S**  
**Chandra et al.** (45) **Date of Patent:** **\*\* Jan. 18, 2022**

(54) **HANDLE FOR BLOW DRYER**

(71) Applicant: **Helen of Troy Limited**, St. Michael (BB)

(72) Inventors: **Aakriti Jojo Chandra**, Jersey City, NJ (US); **Yoon Jung Heo**, Fort Lee, NJ (US); **Mathieu Zastawny**, Jersey City, NJ (US); **William Fiebel**, Succasunna, NJ (US); **Luke Hillebrecht**, El Paso, TX (US)

9,267,735 B2 \* 2/2016 Funayama ..... F26B 7/00  
 D758,012 S 5/2016 Bates et al.  
 D791,407 S 7/2017 Smith et al.  
 D850,717 S 6/2019 Huang  
 D852,415 S \* 6/2019 Coulton ..... D28/18  
 D853,642 S \* 7/2019 Coulton ..... D28/18  
 D866,067 S 11/2019 Thompson et al.  
 D899,684 S \* 10/2020 Chen ..... D28/13  
 D909,675 S \* 2/2021 Huang ..... D28/13

(Continued)

FOREIGN PATENT DOCUMENTS

EM 003528843-004 12/2016  
 EM 005522315-002 2/2018

(Continued)

*Primary Examiner* — Marissa J Cash  
*Assistant Examiner* — Rebecca Tsehaye  
 (74) *Attorney, Agent, or Firm* — Rankin, Hill & Clark LLP

(73) Assignee: **Helen of Troy Limited**, St. Michael (BB)

(\*\*) Term: **15 Years**

(21) Appl. No.: **29/737,566**

(22) Filed: **Jun. 10, 2020**

(51) **LOC (13) Cl.** ..... **28-03**

(52) **U.S. Cl.**  
 USPC ..... **D28/13**

(58) **Field of Classification Search**  
 USPC ..... D28/13, 12, 10, 17, 18  
 CPC ..... A45D 20/08; A45D 20/10; A45D 20/12;  
 A45D 20/122; A45D 20/124; A45D  
 20/04; A45D 20/48; A45D 20/50; A45D  
 20/00; A45D 2020/128; A45D 2020/126;  
 A24H 3/0423; A24H 3/00202; A24H  
 3/022; F24H 9/2071  
 See application file for complete search history.

(57) **CLAIM**

The ornamental design for a handle for blow dryer, as shown and described.

**DESCRIPTION**

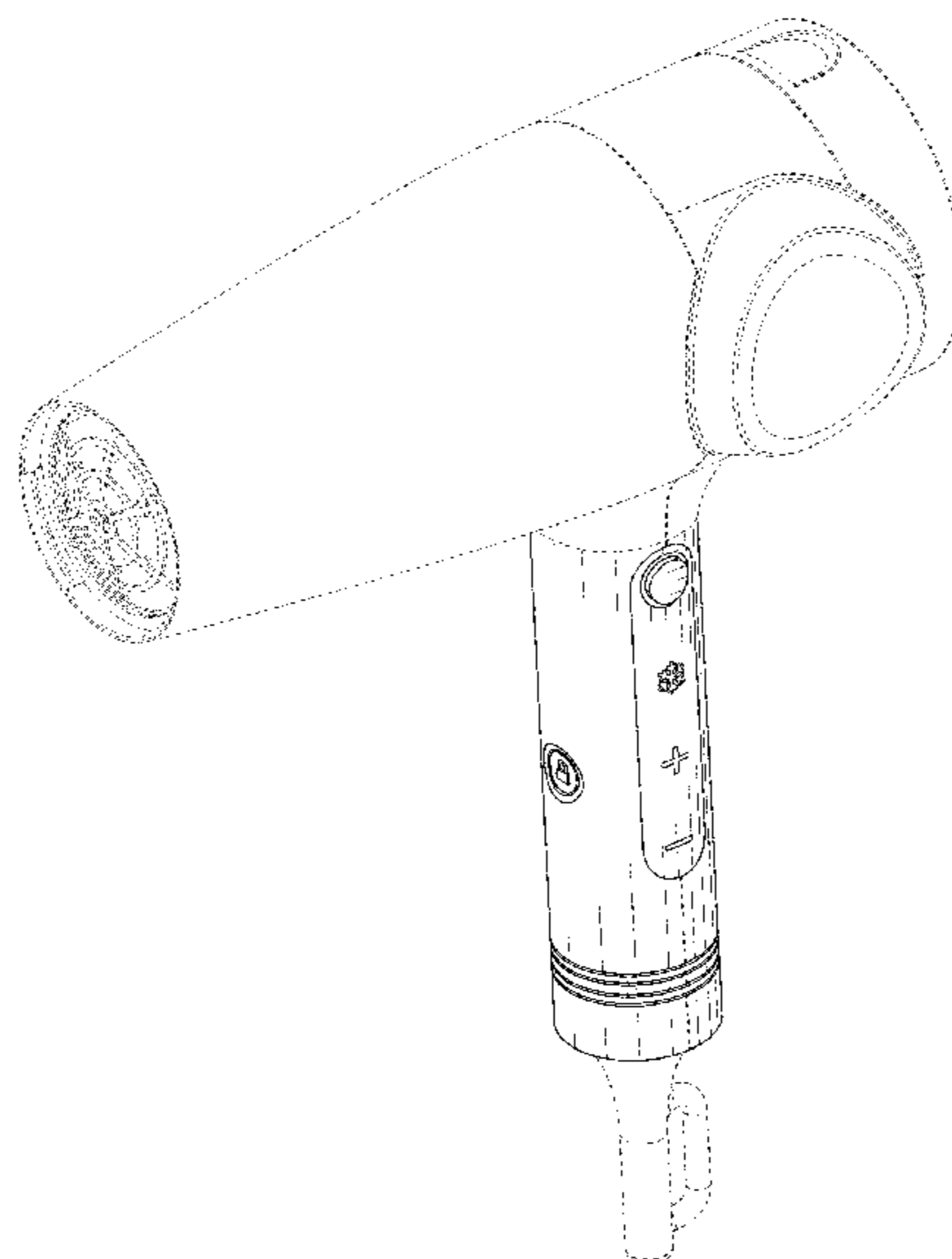
FIG. 1 is a top, right side perspective view of a new, original and ornamental design for a handle for blow dryer;  
 FIG. 2 is a right side elevation view of FIG. 1;  
 FIG. 3 is a left side elevation view of FIG. 1;  
 FIG. 4 is a front elevation of FIG. 1;  
 FIG. 5 is a rear elevation view of FIG. 1;  
 FIG. 6 is a top plan view of FIG. 1; and,  
 FIG. 7 is a bottom plan view of FIG. 1.  
 The broken lines in the drawings depict portions of the handle for blow dryer that form no part of the claimed design. The broken lines in the drawings further depict a barrel portion of a blow dryer and power cord connected to the handle as environmental subject matter that form no part of the claimed design.

**1 Claim, 5 Drawing Sheets**

(56) **References Cited**

U.S. PATENT DOCUMENTS

D290,174 S 6/1987 Tsuji et al.  
 D418,249 S \* 12/1999 Elkerbout ..... D28/10  
 D473,341 S \* 4/2003 Bokelman-Dumas ..... D28/13  
 D606,247 S \* 12/2009 Yu ..... D28/13  
 D651,341 S \* 12/2011 Schmitz ..... D28/13  
 D716,492 S 10/2014 Dyson et al.



(56)

**References Cited**

U.S. PATENT DOCUMENTS

D911,603 S \* 2/2021 Wang ..... D28/13  
D919,175 S \* 5/2021 Yu ..... D28/13

FOREIGN PATENT DOCUMENTS

EM 007271317-002 11/2019  
EM 007521901-001 1/2020

\* cited by examiner

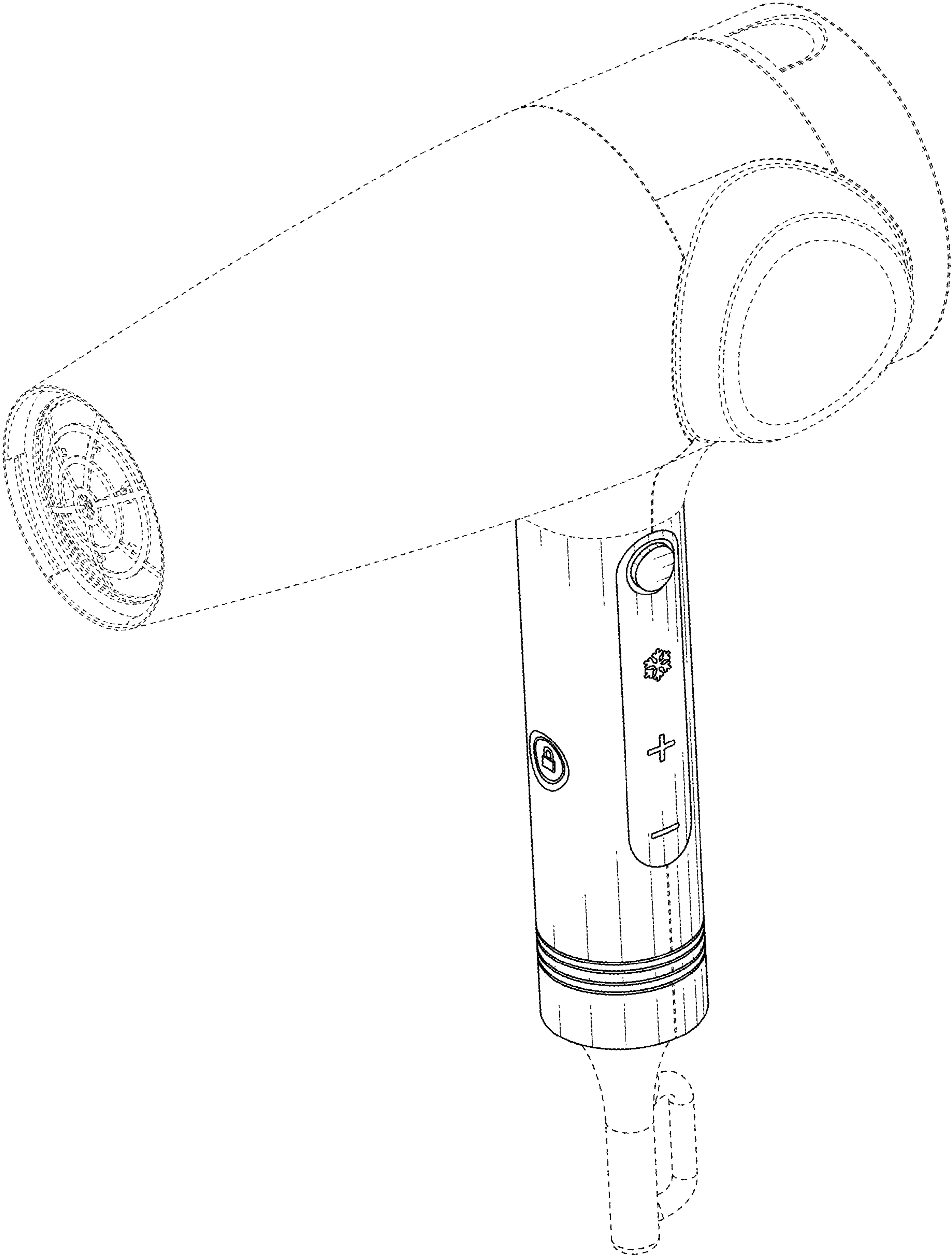


FIG. 1

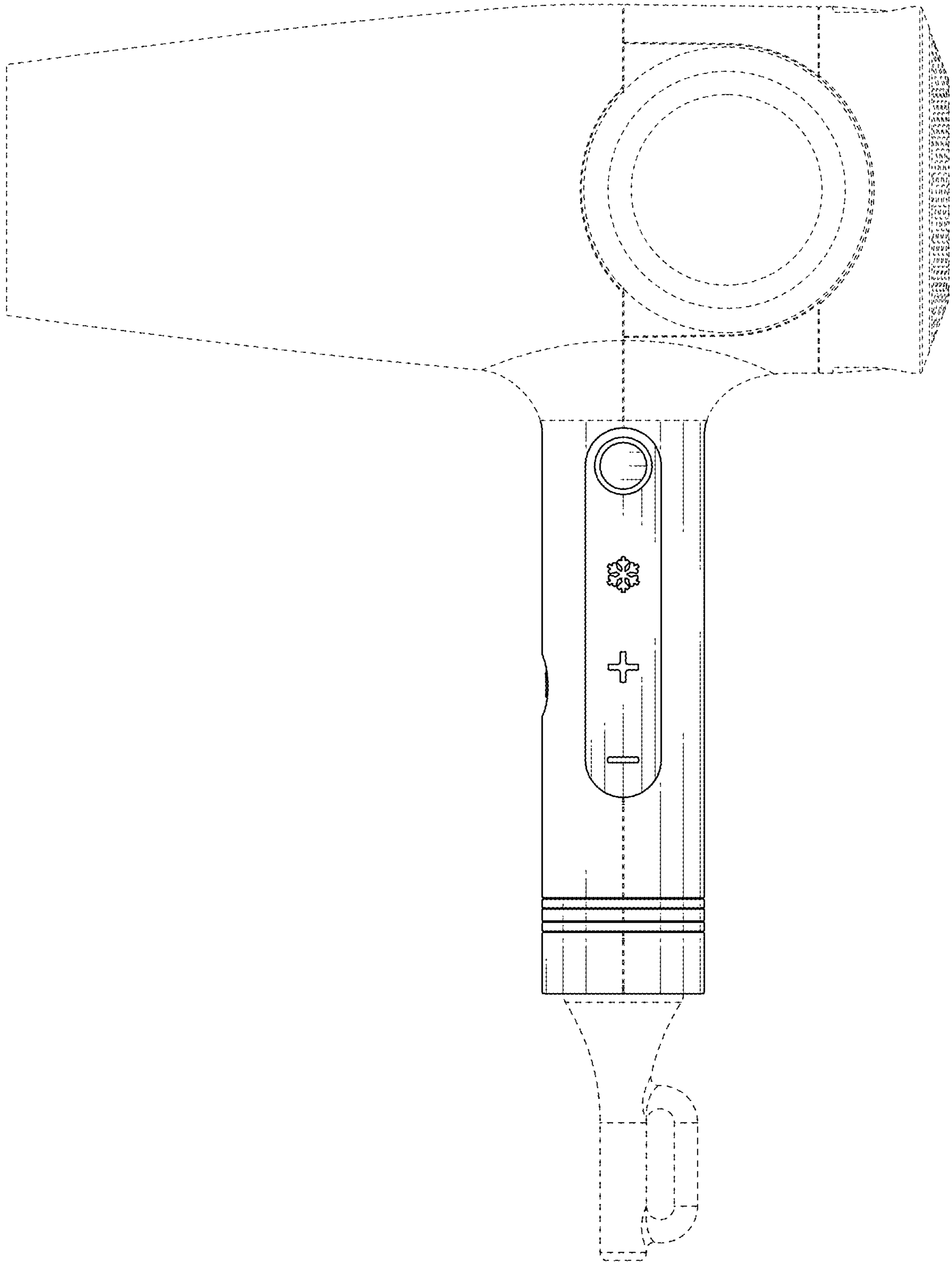


FIG. 2

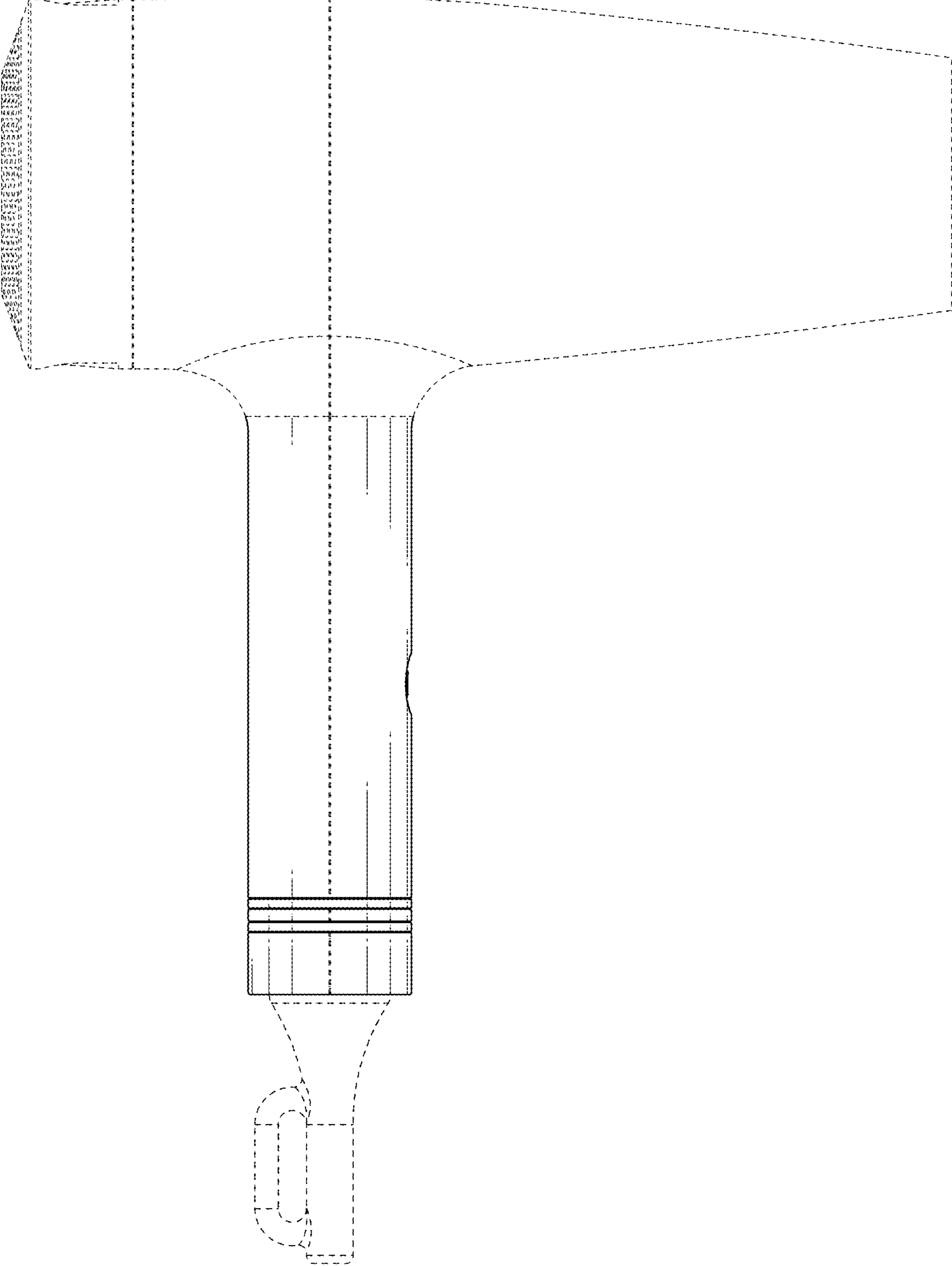


FIG. 3



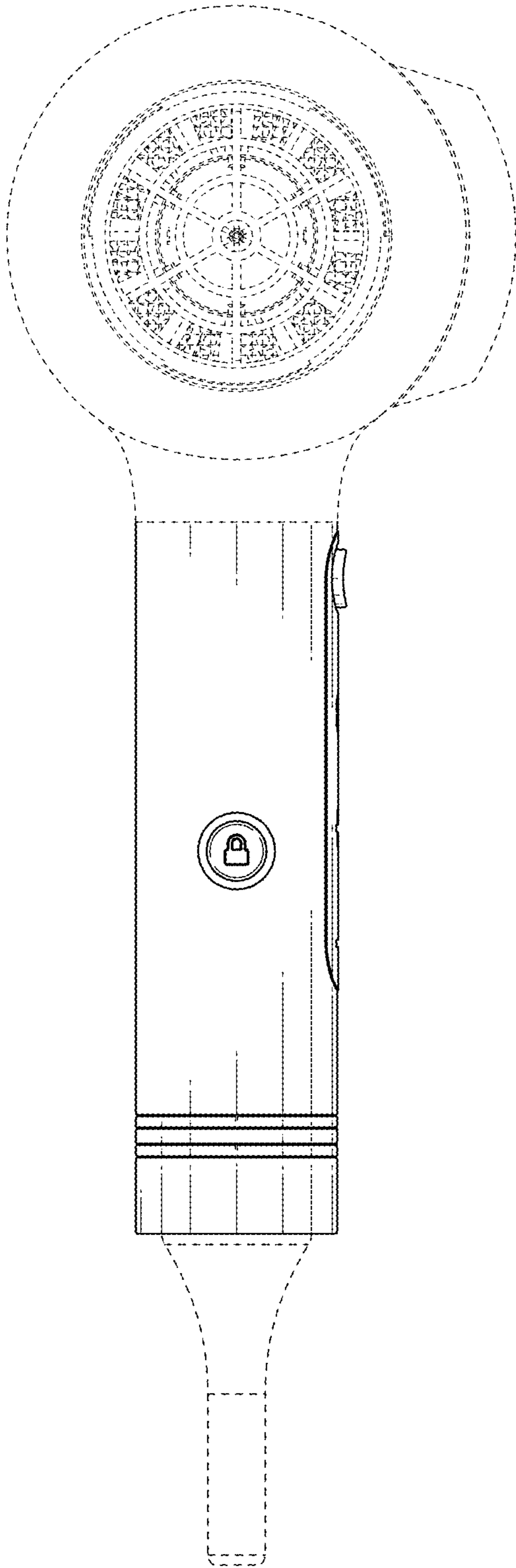


FIG. 4

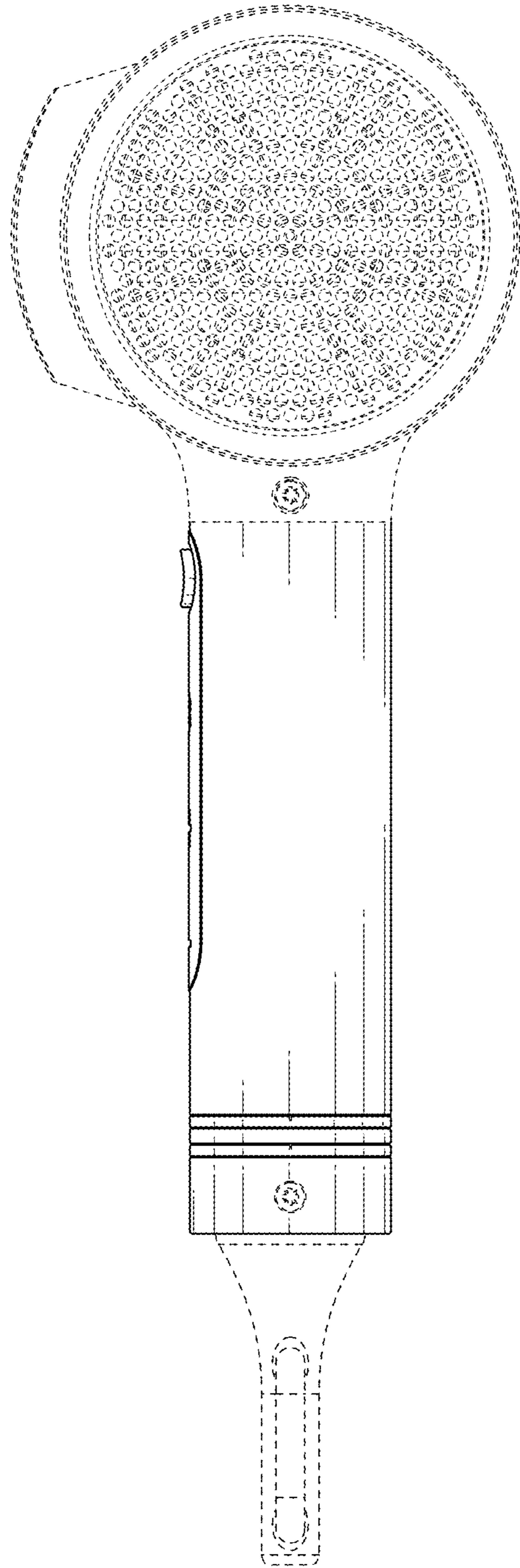


FIG. 5

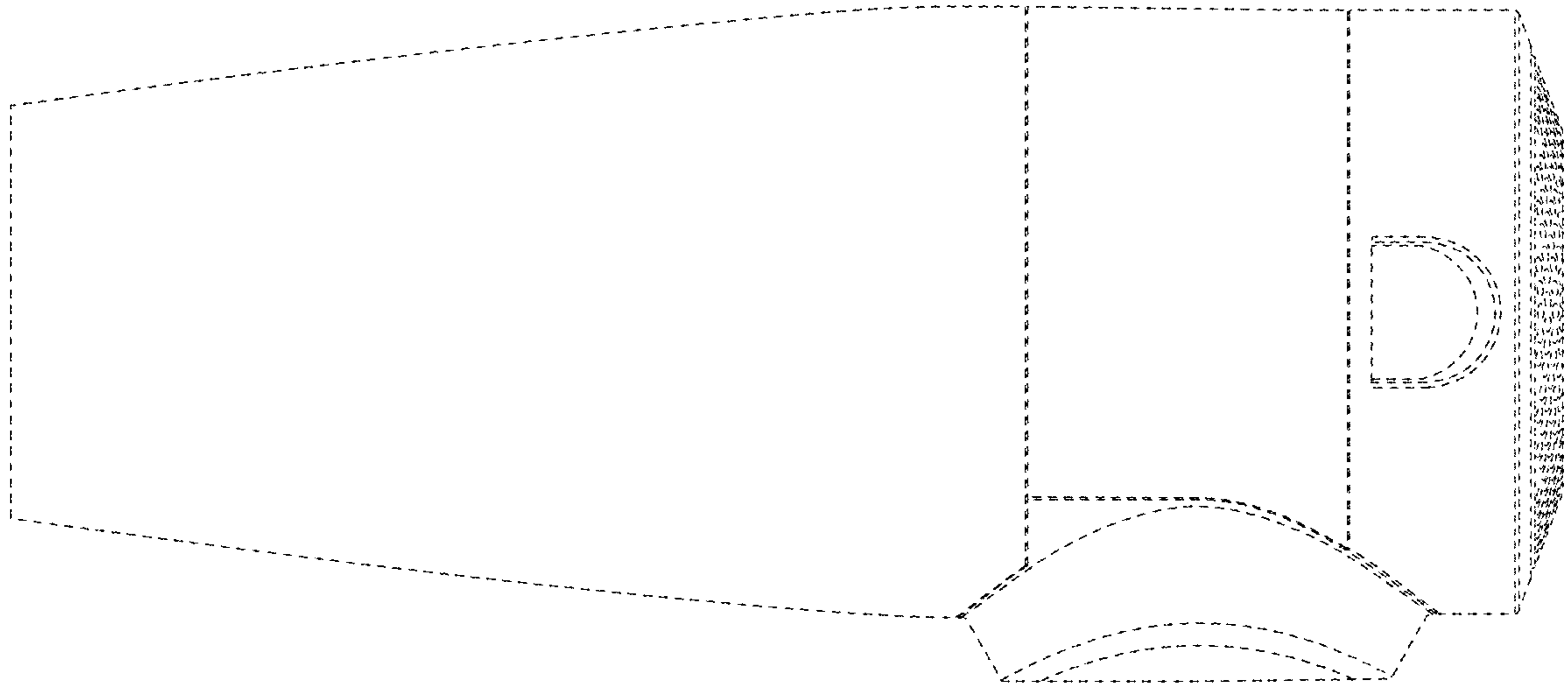


FIG. 6

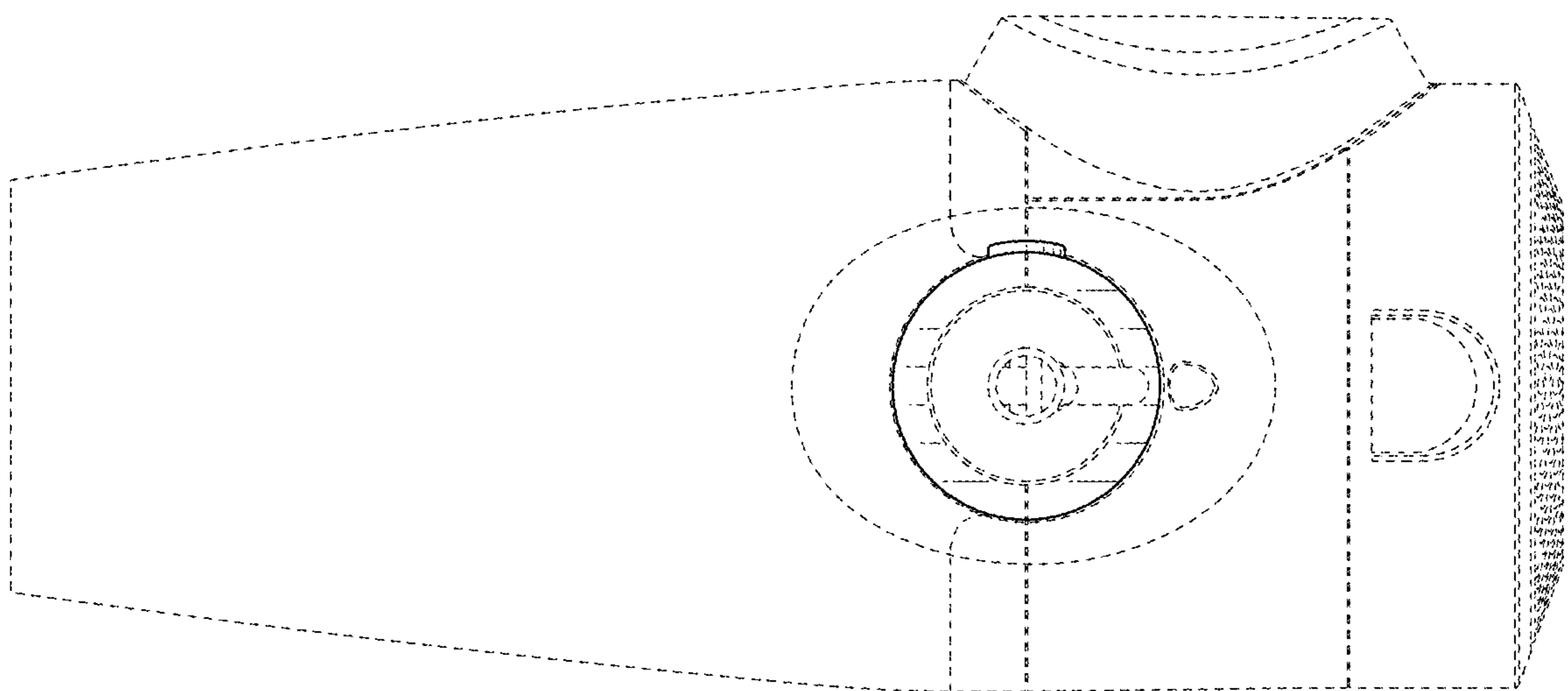


FIG. 7