



US00D941524S

(12) **United States Design Patent**
Vila

(10) **Patent No.:** **US D941,524 S**

(45) **Date of Patent:** **** Jan. 18, 2022**

(54) **CIGARETTE-MAKING MACHINE**

FOREIGN PATENT DOCUMENTS

(71) Applicant: **REPUBLIC BRANDS L.P.**, Glenview,
IL (US)

CA 643473 6/1962
CA 1128396 7/1982

(Continued)

(72) Inventor: **Santiago Sanchez Vila**, Barcelona (ES)

OTHER PUBLICATIONS

(73) Assignee: **REPUBLIC BRANDS L.P.**, Glenview,
IL (US)

Cigarette Making Machine, By Premier found on line Sep. 1, 2021
<https://www.amazon.com/Premier-Supermatic-Injector-Make-Your-Own-Cigarette/dp/B07582W8WV> Mar. 22, 2020.*

(**) Term: **15 Years**

(Continued)

(21) Appl. No.: **29/746,830**

(22) Filed: **Aug. 18, 2020**

Primary Examiner — Marissa J Cash

Assistant Examiner — Rebecca Tsehaye

(51) **LOC (13) Cl.** **27-99**

(74) *Attorney, Agent, or Firm* — Michael Best &
Friedrich LLP

(52) **U.S. Cl.**

USPC **D27/194**

(58) **Field of Classification Search**

USPC D27/194, 100, 172, 183, 184, 186, 187,
D27/192

CPC A24C 5/40; A24C 5/42; A24C 5/44; A24C
5/46; A24C 5/465; A24C 5/52; A24C
5/00; A24C 5/02; A24C 5/10; A24C 5/01

See application file for complete search history.

(57) **CLAIM**

I claim the ornamental design for a cigarette-making
machine, as shown and described.

DESCRIPTION

FIG. 1 is a perspective view of a cigarette-making machine.
FIG. 2 is a right elevation view of the cigarette-making
machine shown in FIG. 1.

FIG. 3 is a left elevation view of the cigarette-making
machine shown in FIG. 1.

FIG. 4 is a front elevation view of the cigarette-making
machine shown in FIG. 1.

FIG. 5 is a rear elevation view of the cigarette-making
machine shown in FIG. 1.

FIG. 6 is a top plan view of the cigarette-making machine
shown in FIG. 1; and,

FIG. 7 is a bottom plan view of the cigarette-making
machine shown in FIG. 1.

The broken lines represent portions of the cigarette-making
machine that form no part of the claimed design.

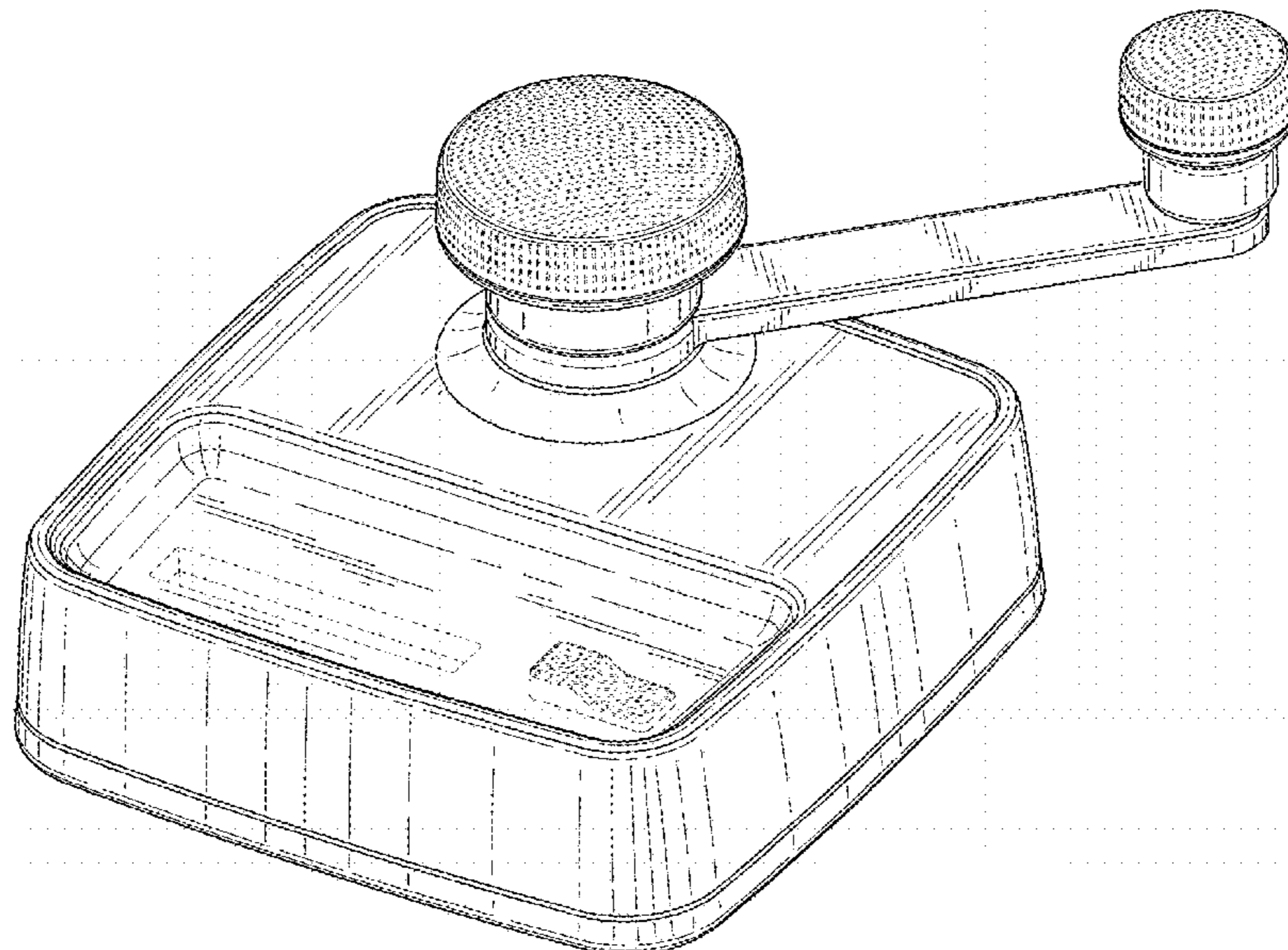
(56) **References Cited**

U.S. PATENT DOCUMENTS

D93,056 S	9/1933	Thorp
2,314,734 A	3/1943	Ptasnik
2,551,095 A	5/1951	Chaze
2,699,787 A	1/1955	Kastner
2,699,788 A	1/1955	Kastner
2,714,383 A	8/1955	Gee
2,731,971 A	1/1956	Kastner
3,124,141 A	3/1964	Seitter
D197,986 S	4/1964	Schlage
3,127,900 A	4/1964	Kastner
3,202,156 A	8/1965	Kappeler et al.
3,509,887 A	5/1970	Kappeler et al.

(Continued)

1 Claim, 6 Drawing Sheets



(56)

References Cited

U.S. PATENT DOCUMENTS

D219,495 S 12/1970 Bessler
 3,688,777 A 9/1972 Kastner
 3,689,998 A 9/1972 Hahn
 3,699,975 A 10/1972 Saraber
 3,746,011 A 7/1973 Kappeler et al.
 3,767,880 A 10/1973 Austin
 D241,354 S 9/1976 Kastner
 D250,965 S 1/1979 Moscovitch
 4,167,948 A 9/1979 Moscovitch
 4,249,546 A 2/1981 Heil et al.
 4,411,278 A 10/1983 Kastner
 5,088,506 A 2/1992 Kastner
 D365,742 S 1/1996 Decursu et al.
 5,657,768 A 8/1997 Neumann et al.
 D459,646 S 7/2002 Bertani
 6,557,560 B2 5/2003 Kastner
 D544,643 S 6/2007 Lin
 D545,494 S 6/2007 Soeprapto
 D553,793 S 10/2007 Lin
 D579,150 S 10/2008 Lin et al.
 D589,776 S 4/2009 Camp
 D613,032 S 4/2010 Lin
 D613,033 S 4/2010 Lin
 8,037,887 B2 10/2011 Lin
 D665,126 S * 8/2012 Lin D27/194
 8,261,752 B2 9/2012 Bao
 D692,616 S 10/2013 Patel
 D700,399 S 2/2014 Lin
 9,314,051 B2 * 4/2016 Lin A24C 5/42
 D769,521 S * 10/2016 Lin D27/194
 D849,995 S 5/2019 Lin
 D881,464 S * 4/2020 Lin D27/194
 D902,479 S * 11/2020 Liu D27/184
 2007/0235045 A1 10/2007 Lin
 2007/0295343 A1 12/2007 Susanto et al.

2010/0069167 A1 3/2010 Williams et al.
 2010/0229880 A1 9/2010 Bao
 2012/0312311 A1 12/2012 Lin
 2013/0152952 A1 6/2013 Bao
 2015/0366263 A1 12/2015 Coltrane

FOREIGN PATENT DOCUMENTS

DE 1757504 A1 4/1971
 DE 4110830 C1 5/1992
 EP 0399143 A1 11/1990
 EP 0584805 A1 3/1994
 EP 1421862 5/2004
 EP 1604576 A1 12/2005
 GB 464948 A 4/1937
 GB 725058 A 3/1955
 WO 9720476 6/1997
 WO 2006130367 A1 12/2006

OTHER PUBLICATIONS

Premier Century Supermatic, Supermatic Cigarette Making Machine, Image, Front and Top View, publicly available at least as early as Oct. 29, 2009 (1 page).
 Premier Century Supermatic, Premier Cigarette Making Machine, Image, Front and Top View, publicly available at least as early as Oct. 29, 2009 (1 page).
 Premier Century Supermatic, Premier Supermatic Cigarette Making Machine, Image, Front and Top View, publicly available at least as early as Oct. 29, 2009 (1 page).
 Magnum Injector Cigarette Makine Machine, Image, Top View, publicly available at least as early as Oct. 29, 2009.
 China National Intellectual Property Administration First Office Action for Application No. 202130079539.1 dated May 7, 2021 (3 pages including English translation).

* cited by examiner

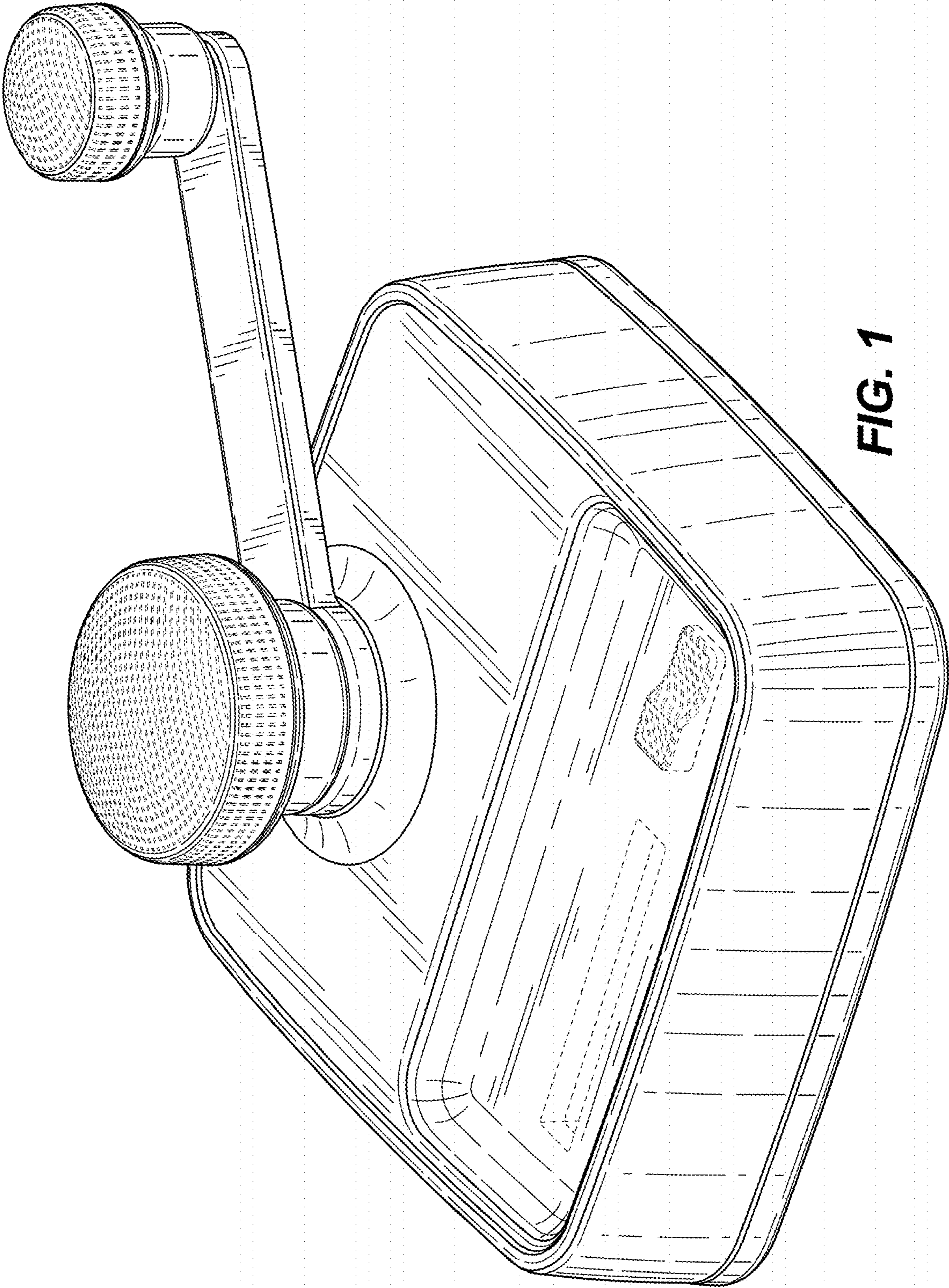


FIG. 1

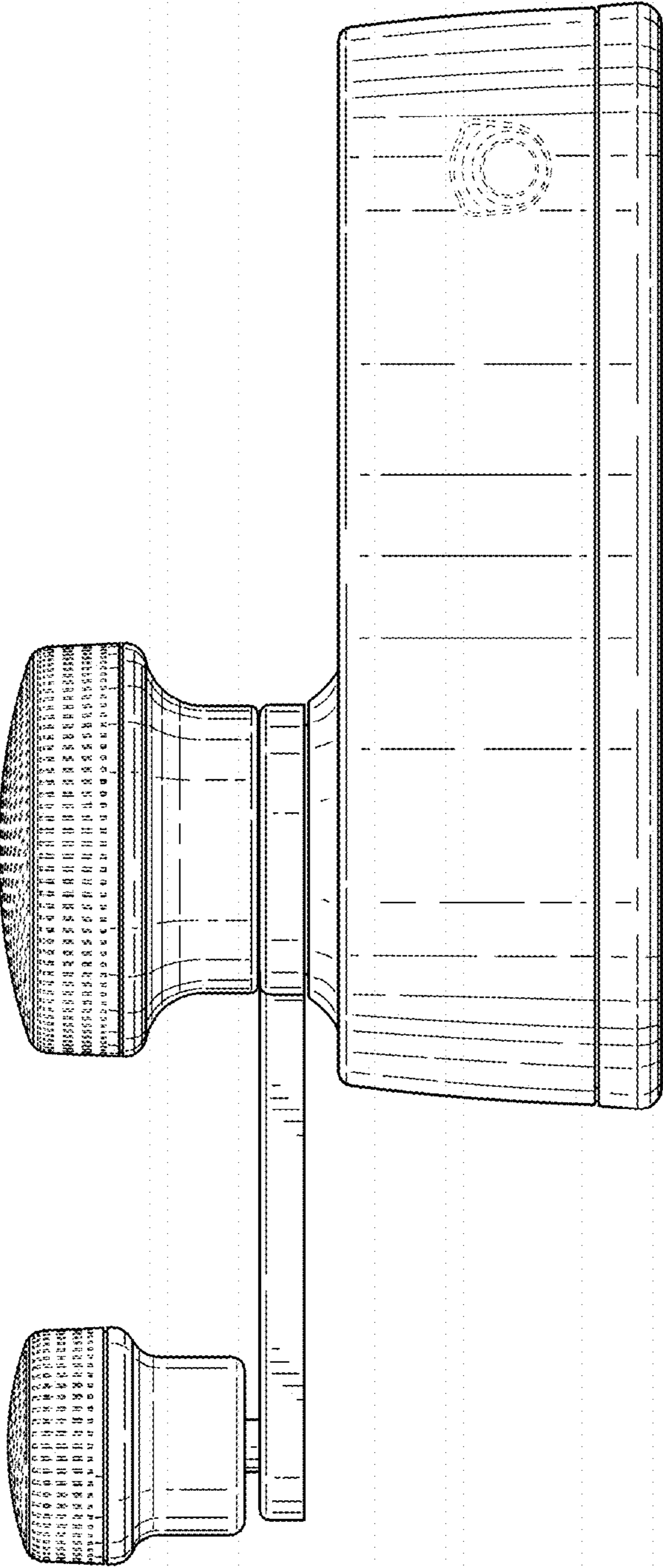


FIG. 2

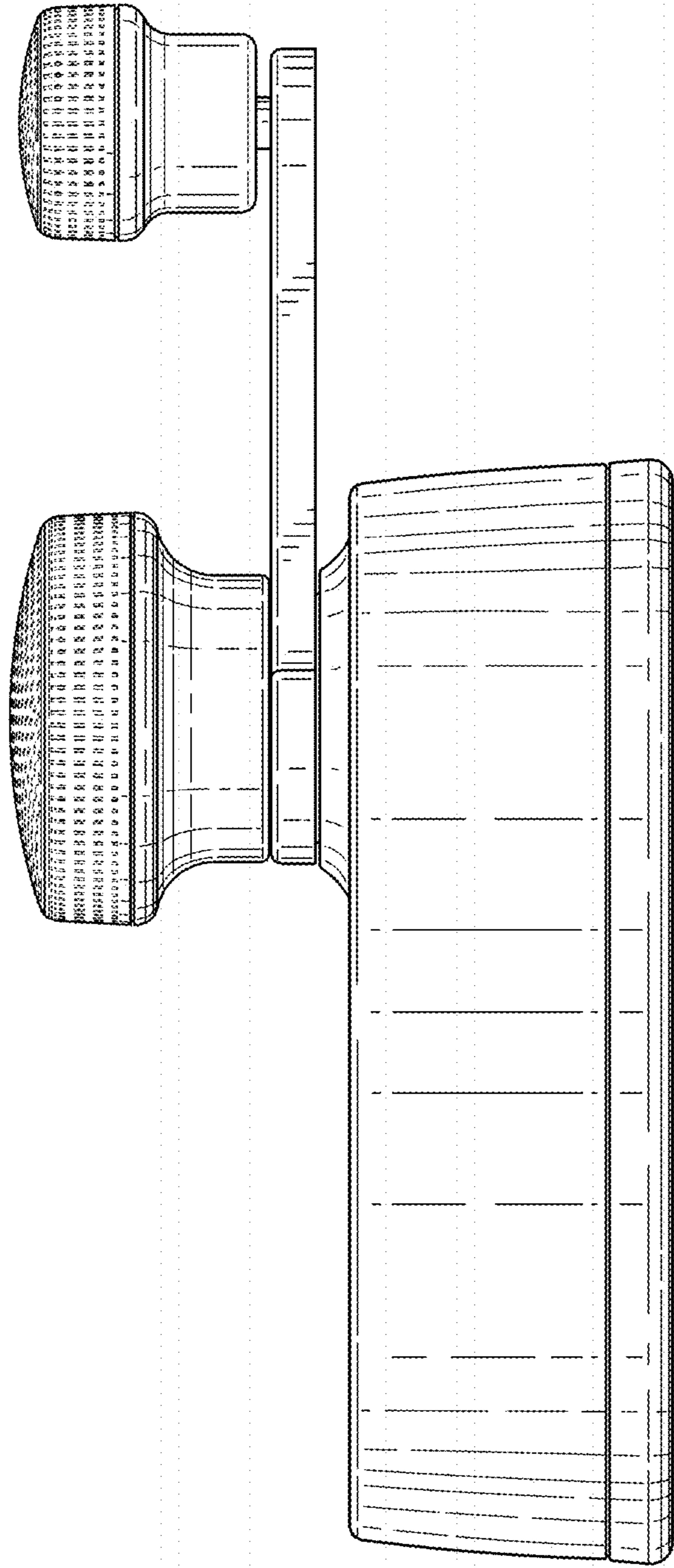


FIG. 3

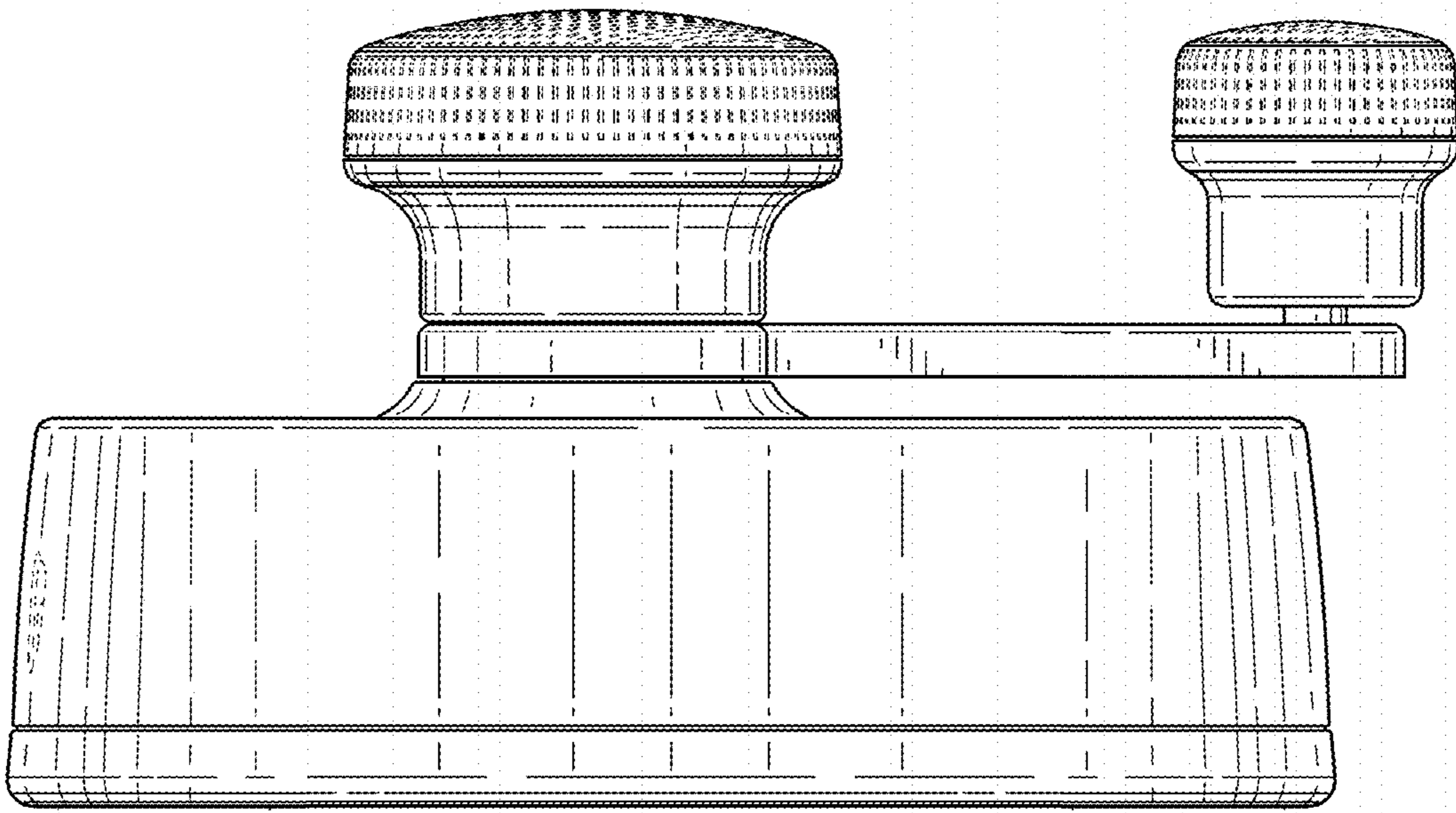


FIG. 4

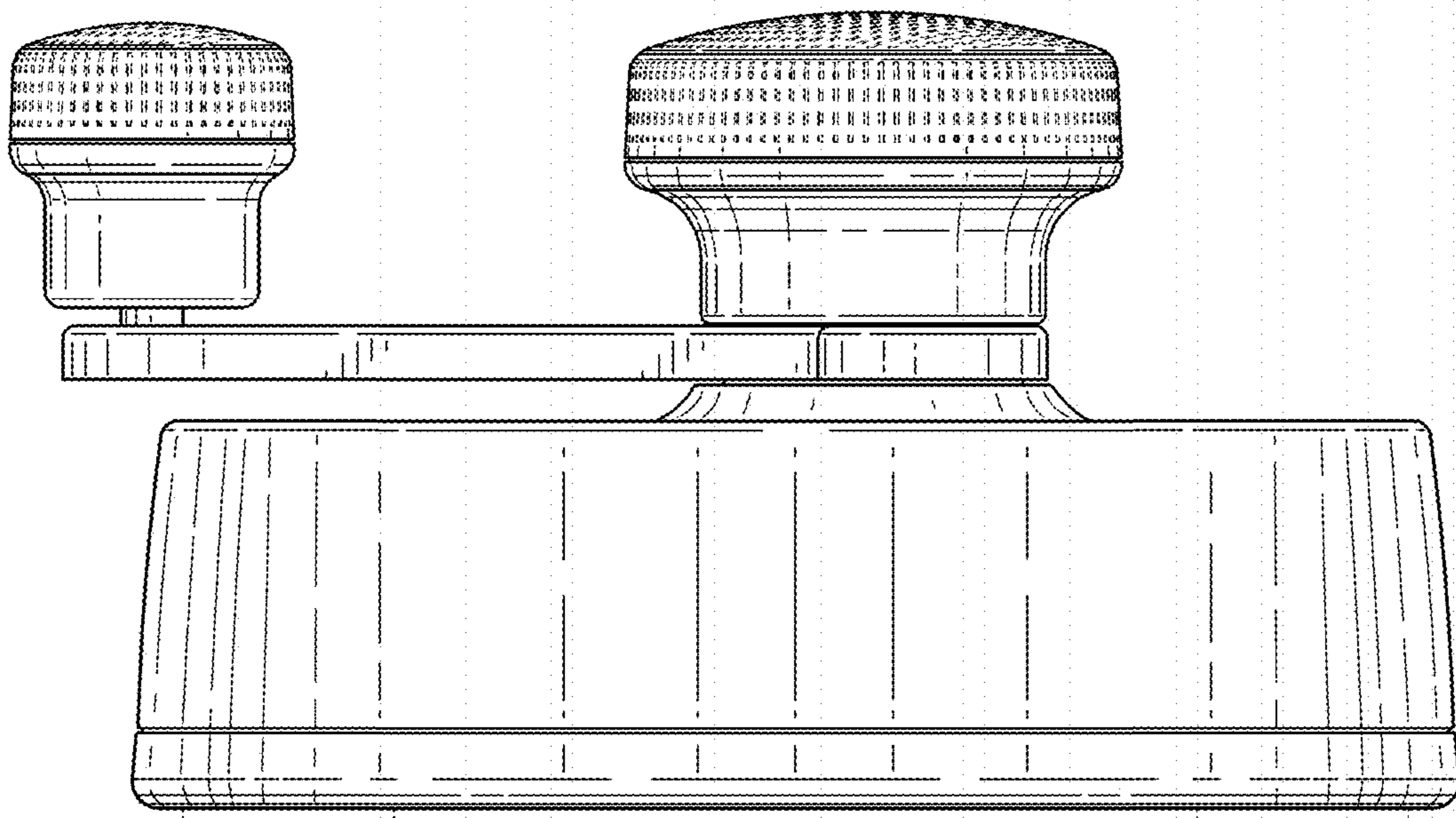


FIG. 5

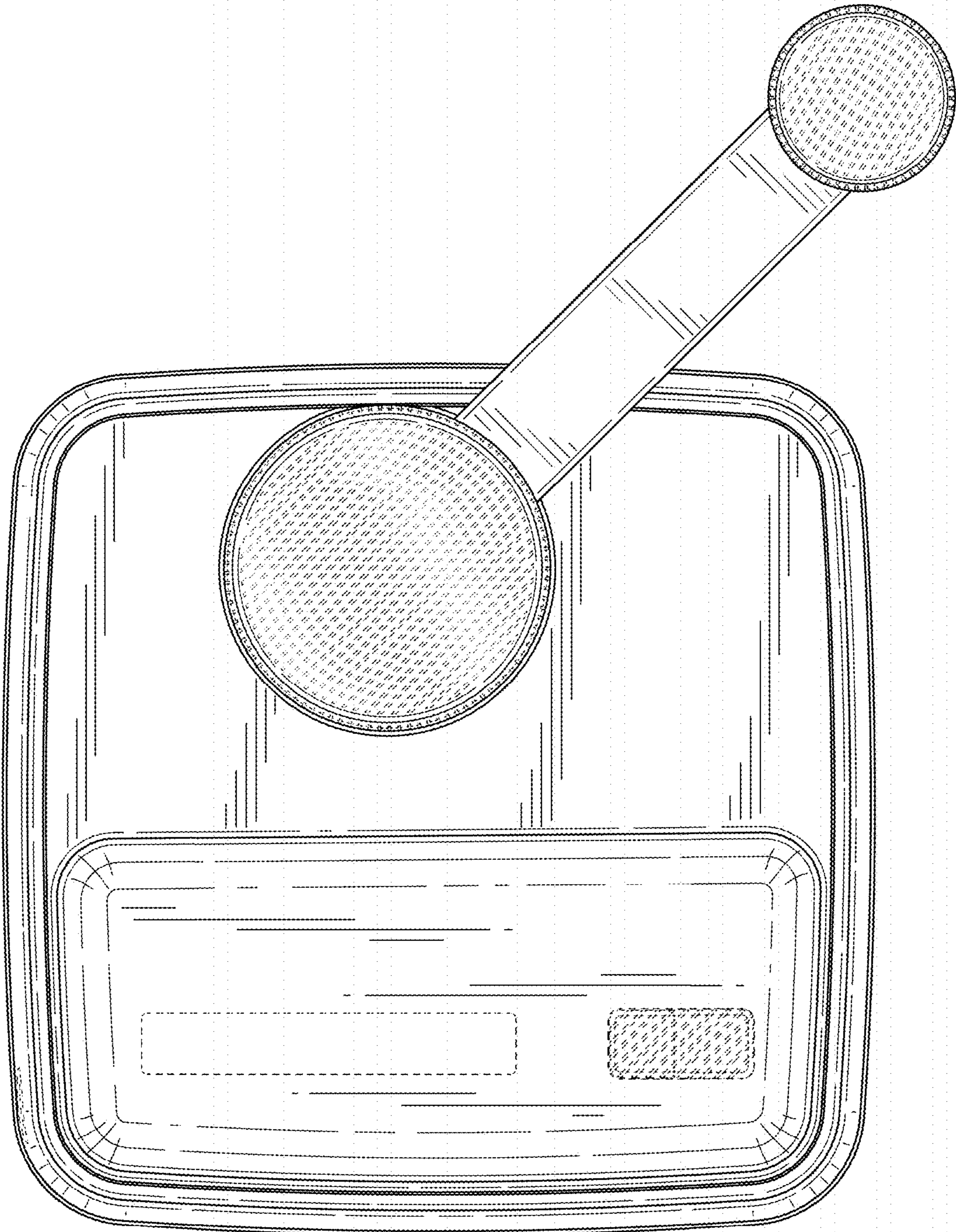


FIG. 6

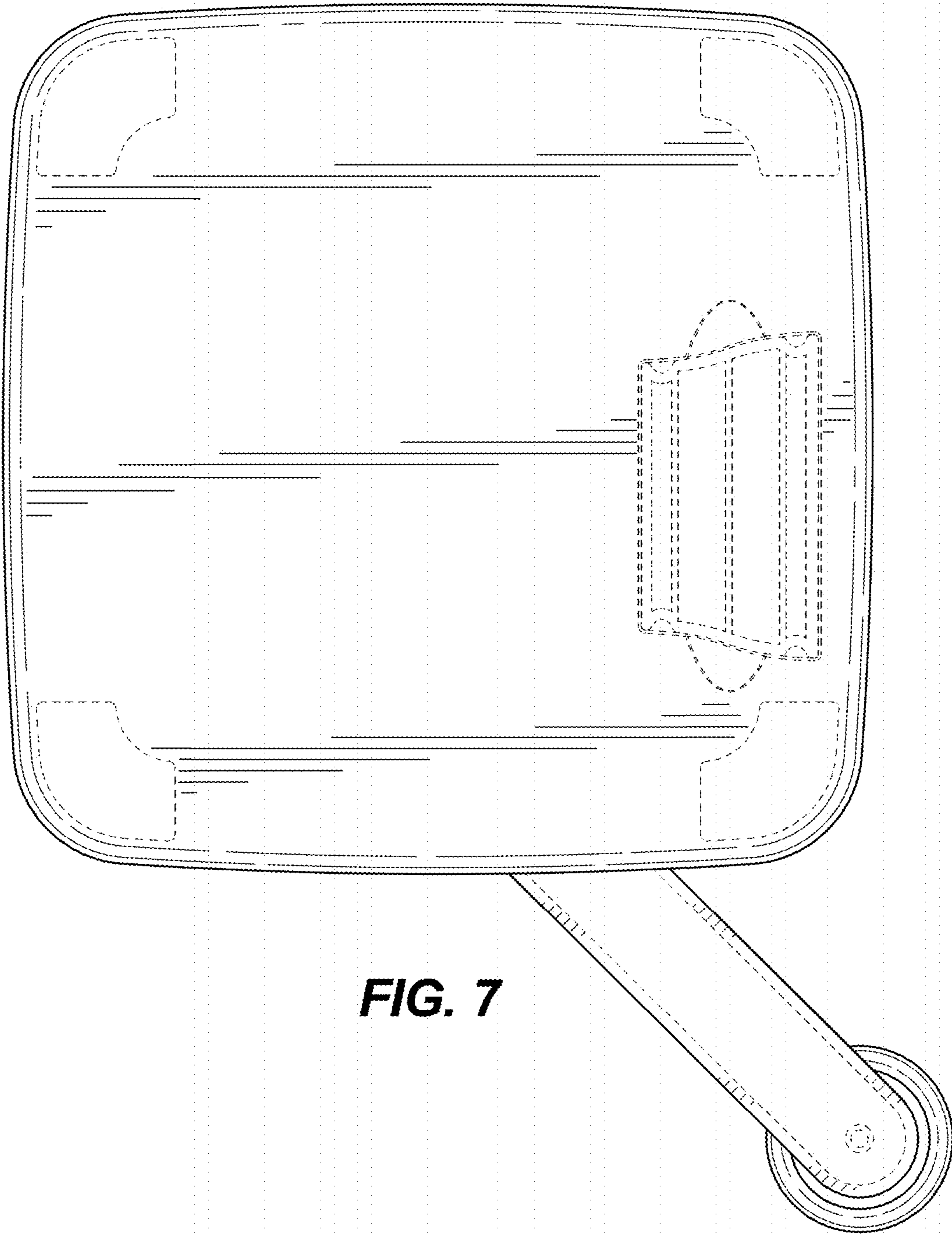


FIG. 7