

US00D941523S

(12) **United States Design Patent** (10) **Patent No.:** **US D941,523 S**
Elkind et al. (45) **Date of Patent:** **** *Jan. 18, 2022**

(54) **CHILD-RESISTANT STORAGE CONTAINER**

2,936,189 A 5/1960 Knapp
3,348,724 A 10/1967 Charles
3,651,983 A 3/1972 Haugen
3,885,715 A 5/1975 Lowry
3,894,655 A 7/1975 Mattheis et al.
3,907,103 A 9/1975 Shaw
3,933,381 A 1/1976 Schurman

(71) Applicant: **Sto Responsible, LLC**, Lafayette, CO (US)

(72) Inventors: **Sandra Elkind**, Lafayette, CO (US);
Shuichi Amano, Bethlehem, PA (US);
Michael Creighton, Warrington, PA (US)

(Continued)

FOREIGN PATENT DOCUMENTS

(73) Assignee: **STO RESPONSIBLE, LLC**, Lafayette, CO (US)

CA 2428862 A1 11/2004
DE 225115 A1 7/1985

(Continued)

(*) Notice: This patent is subject to a terminal disclaimer.

OTHER PUBLICATIONS

(**) Term: **15 Years**

Instagram, “@storesponsible photo post” dated Oct. 2, 2018. (<https://www.instagram.com/p/BocBtD7HulJ/>) (Year: 2018).*

(Continued)

(21) Appl. No.: **29/750,041**

(22) Filed: **Sep. 10, 2020**

Related U.S. Application Data

Primary Examiner — April Rivas

(74) *Attorney, Agent, or Firm* — Holland & Hart LLP

(63) Continuation-in-part of application No. 29/673,771, filed on Dec. 18, 2018, now Pat. No. Des. 898,360, which is a continuation of application No. 16/108,903, filed on Aug. 22, 2018.

(57) **CLAIM**

The ornamental design for a child-resistant storage container, as shown and described.

(51) **LOC (13) Cl.** **27-06**

(52) **U.S. Cl.**
USPC **D27/191; D9/504; D3/295**

DESCRIPTION

(58) **Field of Classification Search**
USPC D3/20, 24, 25, 274, 276, 291, 302, 905,
D3/294, 201, 203.1, 203.2, 273, 295, 298,
D3/318, 901, 902, 903; D9/432, 425,
D9/504; D27/189, 190, 191
CPC A45F 3/48; B65D 50/04
See application file for complete search history.

FIG. 1 is a perspective front view of a child-resistant storage container according to the present invention; FIG. 2 is a perspective back view thereof; FIG. 3 is a front view thereof; FIG. 4 is a rear view thereof; FIG. 5 is a right side view thereof; FIG. 6 is a left side view thereof; FIG. 7 is a top view thereof; and, FIG. 8 is a bottom view thereof.

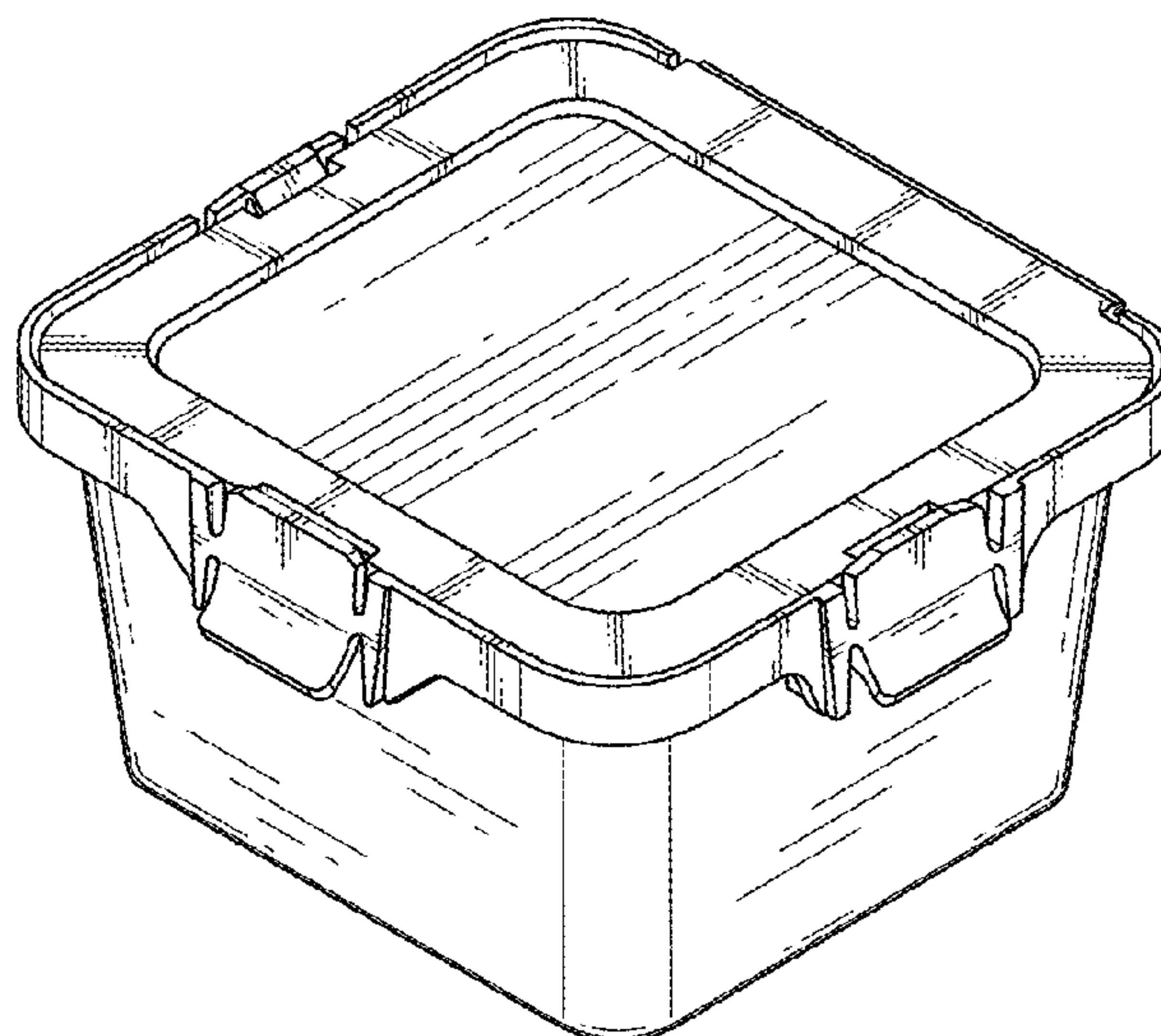
The broken lines illustrate portions of the child-resistant storage container and form no part of the claimed design.

(56) **References Cited**

U.S. PATENT DOCUMENTS

2,428,862 A 10/1947 William
D168,205 S 11/1952 Baustian et al.

1 Claim, 4 Drawing Sheets



(56)

References Cited

U.S. PATENT DOCUMENTS

4,098,430 A 7/1978 Mattheis et al.
 4,102,452 A 7/1978 Sato et al.
 4,280,648 A 7/1981 Boursier
 4,730,731 A 3/1988 Allison
 4,746,008 A 5/1988 Heverly et al.
 4,974,740 A 12/1990 Niles et al.
 5,033,634 A 7/1991 Batchelor et al.
 5,065,887 A 11/1991 Schuh et al.
 5,238,142 A 8/1993 Hanna et al.
 5,353,946 A 10/1994 Behrend
 D353,048 S 12/1994 Vanskiver et al.
 D356,256 S 3/1995 Romanoff
 D382,114 S 8/1997 Dickinson et al.
 D384,502 S 10/1997 Seager et al.
 D389,309 S 1/1998 Shaw
 5,718,347 A 2/1998 Walker et al.
 5,740,938 A 4/1998 Hofmann et al.
 5,752,615 A 5/1998 Hofmann et al.
 D394,955 S 6/1998 Dickinson et al.
 D397,870 S 9/1998 De
 D409,484 S * 5/1999 Tasker D9/423
 D414,934 S 10/1999 Dickinson et al.
 6,021,901 A 2/2000 Wolfe
 D427,769 S 7/2000 Zimmerman
 6,085,928 A 7/2000 Dickinson et al.
 D438,005 S 2/2001 Tiramani et al.
 D440,401 S 4/2001 Pauser et al.
 D441,954 S 5/2001 Parker
 D457,919 S 5/2002 Whittier et al.
 6,401,968 B1 6/2002 Huang et al.
 6,446,806 B1 9/2002 Oho et al.
 6,454,115 B1 9/2002 Allasia
 D466,299 S 12/2002 Zimmerman
 D480,872 S 10/2003 Welsh et al.
 6,631,805 B2 10/2003 Bramen
 D489,530 S 5/2004 Lindsay
 D490,277 S * 5/2004 Kim D3/302
 6,789,692 B2 9/2004 Prezelin
 6,793,096 B1 9/2004 Seok
 6,832,686 B2 12/2004 Donegan
 D501,722 S 2/2005 Zimmerman
 D510,802 S 10/2005 Sagol
 D511,247 S 11/2005 Tsuchiya
 D511,624 S 11/2005 Rosine et al.
 D513,870 S 1/2006 Rosine et al.
 D514,810 S 2/2006 Armato
 D521,732 S 5/2006 Guizzardi
 7,090,089 B2 8/2006 Lown et al.
 D531,798 S 11/2006 Ringo
 7,296,730 B2 11/2007 Erdie
 D560,489 S 1/2008 Satnick
 D567,507 S 4/2008 Zimmerman
 D577,928 S 10/2008 Wong
 D593,324 S 6/2009 Simas
 7,540,364 B2 6/2009 Sanderson
 7,549,541 B2 6/2009 Brozell et al.
 D597,834 S 8/2009 Mittelstaedt et al.
 7,568,739 B2 8/2009 Lee
 7,581,670 B2 9/2009 Erdie
 7,581,671 B2 9/2009 Erdie
 7,918,357 B2 4/2011 Jaeb
 7,997,412 B2 8/2011 Henry et al.
 D644,437 S 9/2011 Lintula
 D645,248 S 9/2011 Osiecki et al.
 8,038,025 B2 10/2011 Stark et al.
 D650,174 S * 12/2011 Ahlstrom D3/302
 8,079,467 B2 12/2011 Barnette et al.
 D654,690 S * 2/2012 Sofy D3/309
 8,162,144 B2 4/2012 Intini
 D658,374 S 5/2012 Anderson et al.
 D664,767 S 8/2012 Shewmaker
 D677,892 S 3/2013 Van
 D687,224 S 8/2013 Lacroix
 8,534,492 B2 9/2013 Williams et al.
 8,567,828 B2 10/2013 Andren et al.

8,596,485 B2 12/2013 Lindsay
 D701,044 S 3/2014 Kishimoto
 D711,103 S 8/2014 Wu et al.
 8,870,021 B2 10/2014 Smyers
 D733,320 S 6/2015 Perry et al.
 9,108,776 B2 8/2015 Smyers et al.
 9,114,909 B2 8/2015 Wagner
 D738,623 S 9/2015 Wood
 D748,916 S 2/2016 Nilsson
 D751,215 S 3/2016 Perry et al.
 9,272,820 B2 3/2016 Cowie
 9,295,349 B2 3/2016 Smyers
 9,387,963 B2 7/2016 Mcbroom et al.
 D775,826 S 1/2017 Gettel et al.
 D784,629 S 4/2017 Farrish
 9,637,281 B2 5/2017 Koo
 D788,465 S 6/2017 Spadotto
 D790,219 S 6/2017 Huang
 D814,920 S 4/2018 Georgiadis et al.
 D821,749 S * 7/2018 Nilsson D3/302
 D826,557 S * 8/2018 Han D3/282
 D834,819 S 12/2018 Burek et al.
 D849,405 S 5/2019 Chen
 2002/0084239 A1 7/2002 Maeyama et al.
 2003/0015534 A1 1/2003 Lown et al.
 2004/0118848 A1 6/2004 Marshall
 2004/0195241 A1 10/2004 Stull et al.
 2005/0194391 A1 9/2005 Domke et al.
 2006/0249522 A1 11/2006 Ringo
 2008/0006631 A1 1/2008 Booth et al.
 2009/0255842 A1 10/2009 Brozell et al.
 2009/0283437 A1 11/2009 Angelucci et al.
 2010/0200581 A1 8/2010 Maltz
 2010/0308055 A1 12/2010 Sams
 2011/0127264 A1 6/2011 Whalen
 2013/0105482 A1 5/2013 Letica et al.
 2014/0151388 A1 6/2014 Culeron et al.
 2014/0319147 A1 10/2014 Horovitz et al.
 2015/0136786 A1 5/2015 Lonner et al.
 2016/0244216 A1 8/2016 Decarlo et al.
 2016/0297575 A1 10/2016 Mcbroom et al.
 2016/0332785 A1 11/2016 Sexton et al.
 2017/0001764 A1 1/2017 Belleville
 2017/0036842 A1 2/2017 Lonner et al.
 2017/0137184 A1 5/2017 Burek et al.
 2017/0174411 A1 6/2017 Lonner et al.
 2017/0247151 A1 8/2017 Chiou
 2017/0334615 A1 11/2017 Golta et al.
 2018/0244438 A1 8/2018 Morichon et al.
 2018/0265263 A1 9/2018 Li
 2019/0344937 A1 * 11/2019 Elkind B65D 50/04

FOREIGN PATENT DOCUMENTS

DE 9410519 U1 8/1994
 EP 1088769 A1 4/2001
 GB 2300854 A 11/1996
 GB 2482507 A 2/2012
 JP 3062266 B2 9/1999
 WO 03076292 A1 9/2003
 WO 2011162621 A1 12/2011
 WO 2016075027 A1 5/2016
 WO 2017083099 A1 5/2017
 WO 2018081681 A1 5/2018

OTHER PUBLICATIONS

Healthcare Packaging, "STO Responsible: Sustainable, Child-Resistant Box", <https://www.rihealthcarepackaging.com/markets/cannabis/press-release/13295484/sto-responsible-sustainable-childresistant-box>, Oct. 24, 2018.
 Kickstarter, "CRATIV Child-Resistant Packaging", <https://www.kickstarter.com/projects/1276263290/crativ-child-resistant-packaging/description>, Oct. 10, 2016.
 Life Without Plastic, "Stainless Steel Airtight Watertight Food Storage Container", <https://www.lifewithoutplastic.com/store/stainless-steelairtight-watertight-food-storage-container-lunch-box-8-cm-3.html>, Aug. 6, 2018.

(56)

References Cited

OTHER PUBLICATIONS

PCT, "International Search Report & Written Opinion", App. No.
PCT/US2018/047543, dated Feb. 11, 2019.

* cited by examiner

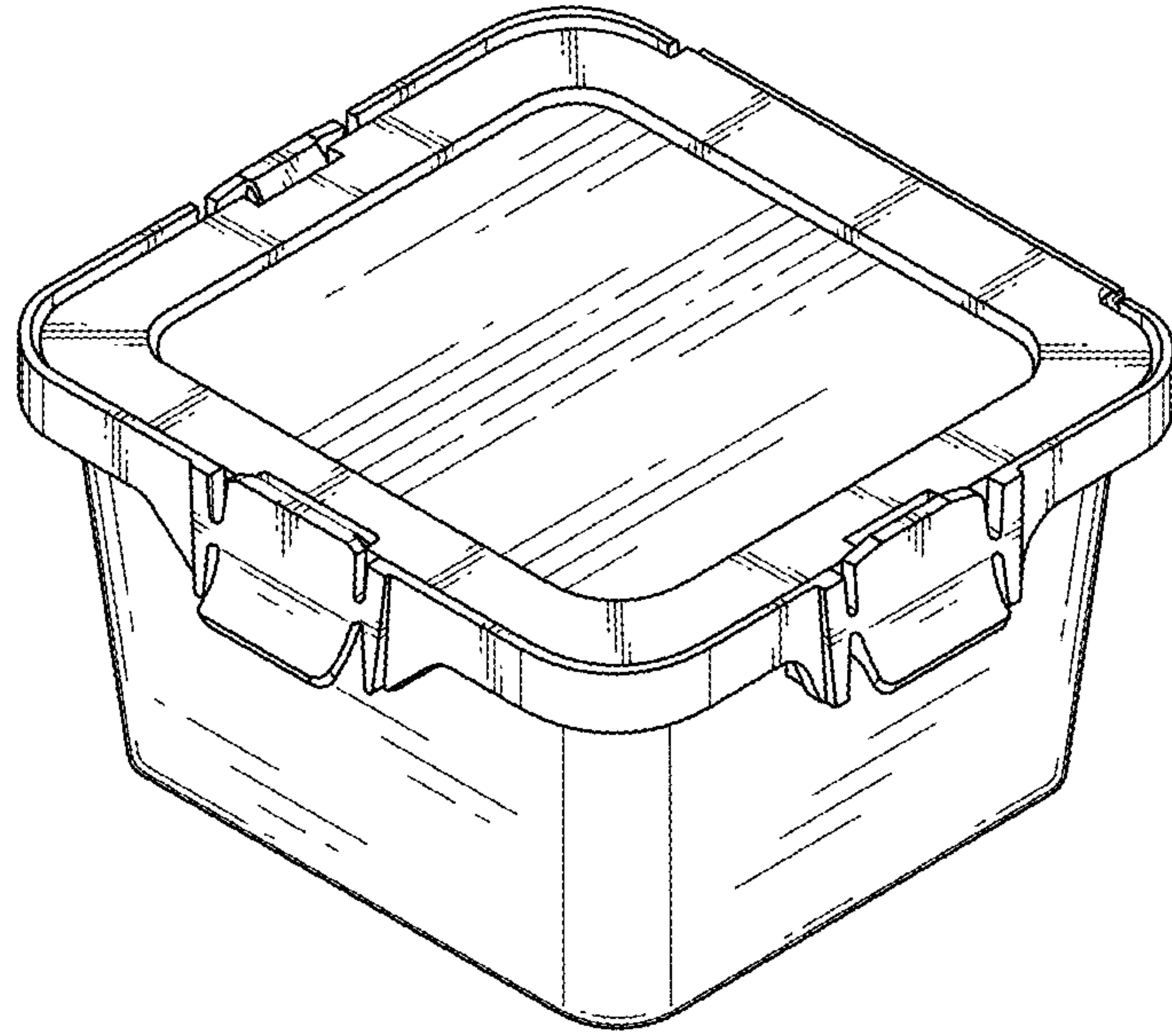


FIG. 1

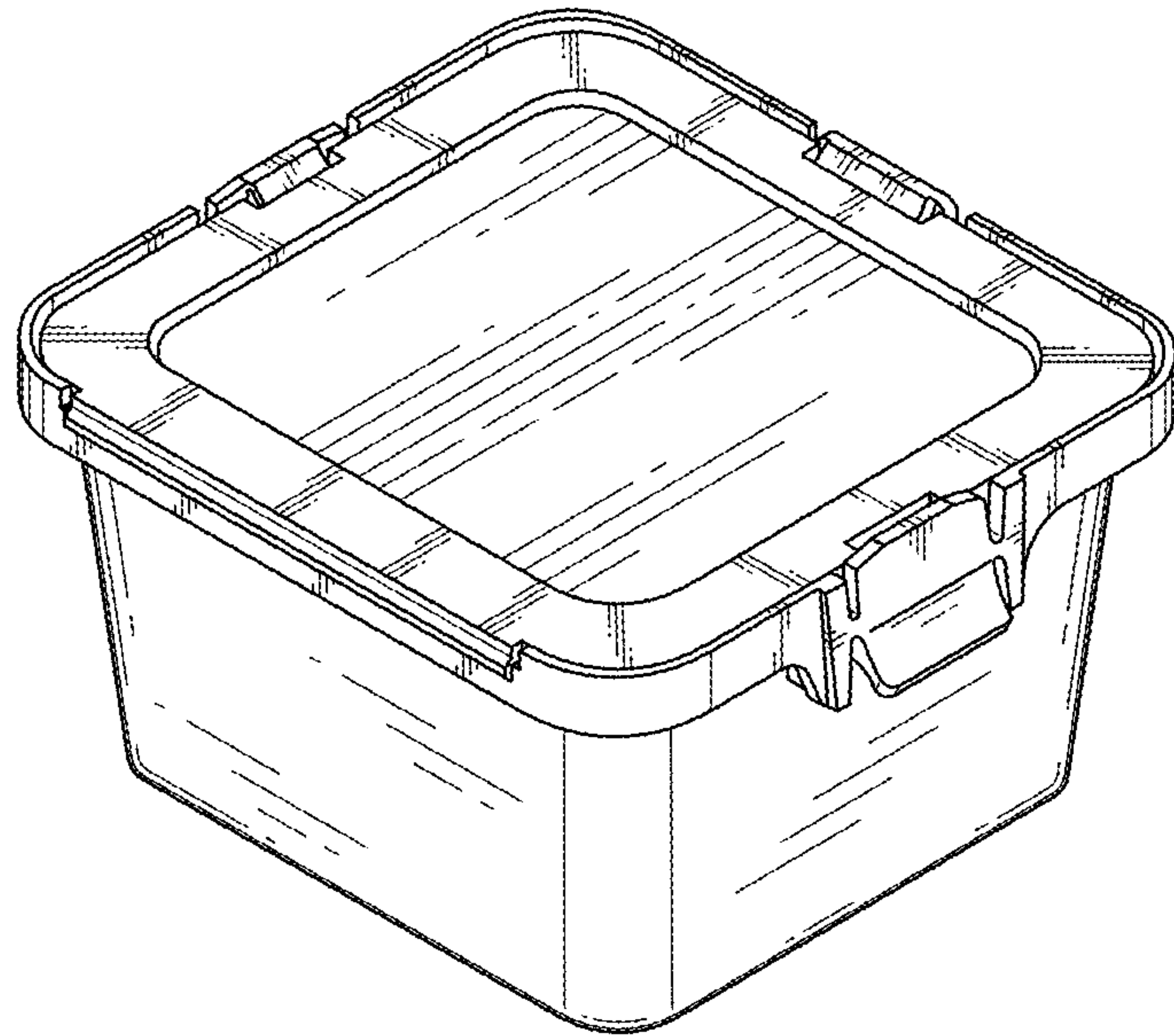


FIG. 2

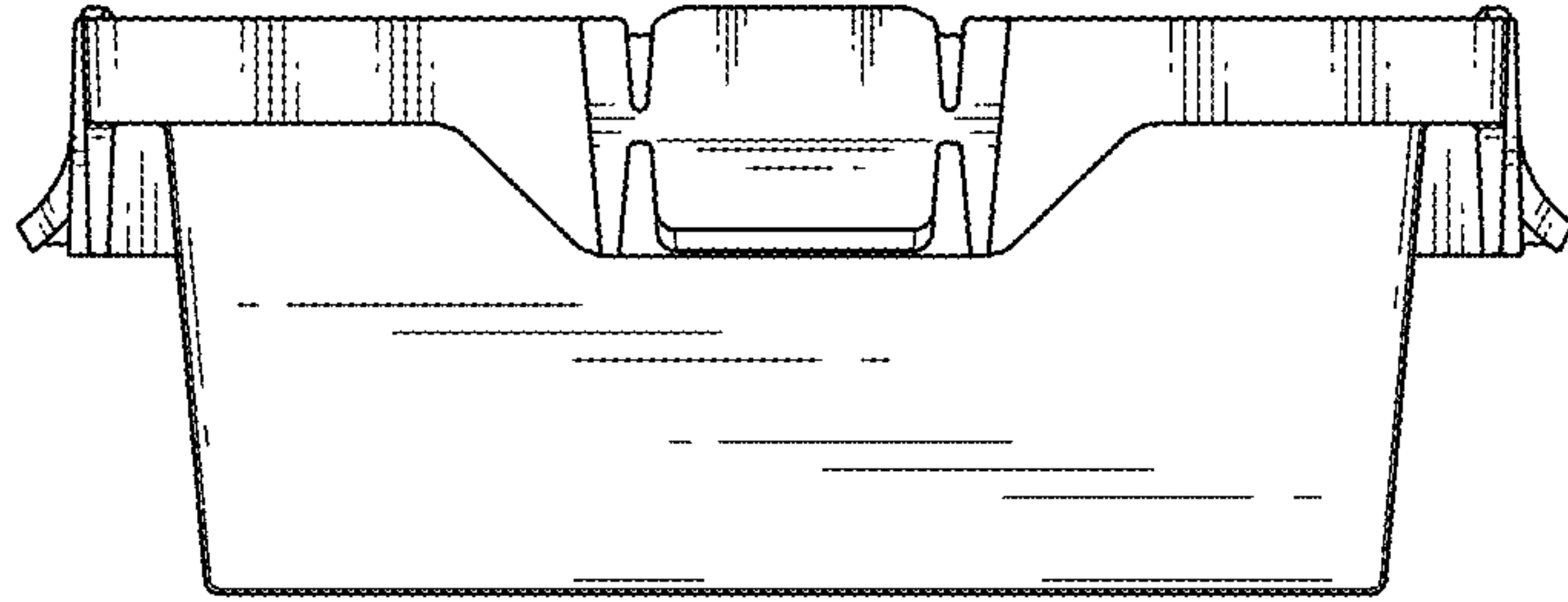


FIG. 3

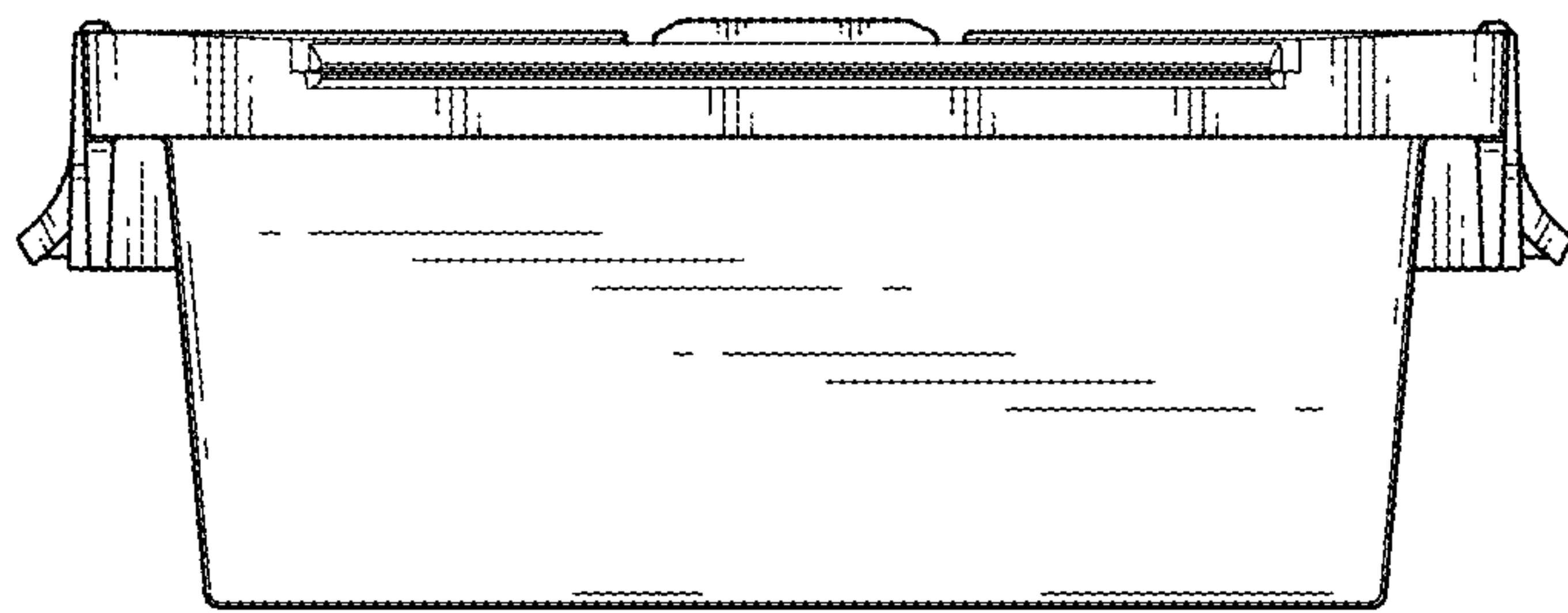


FIG. 4

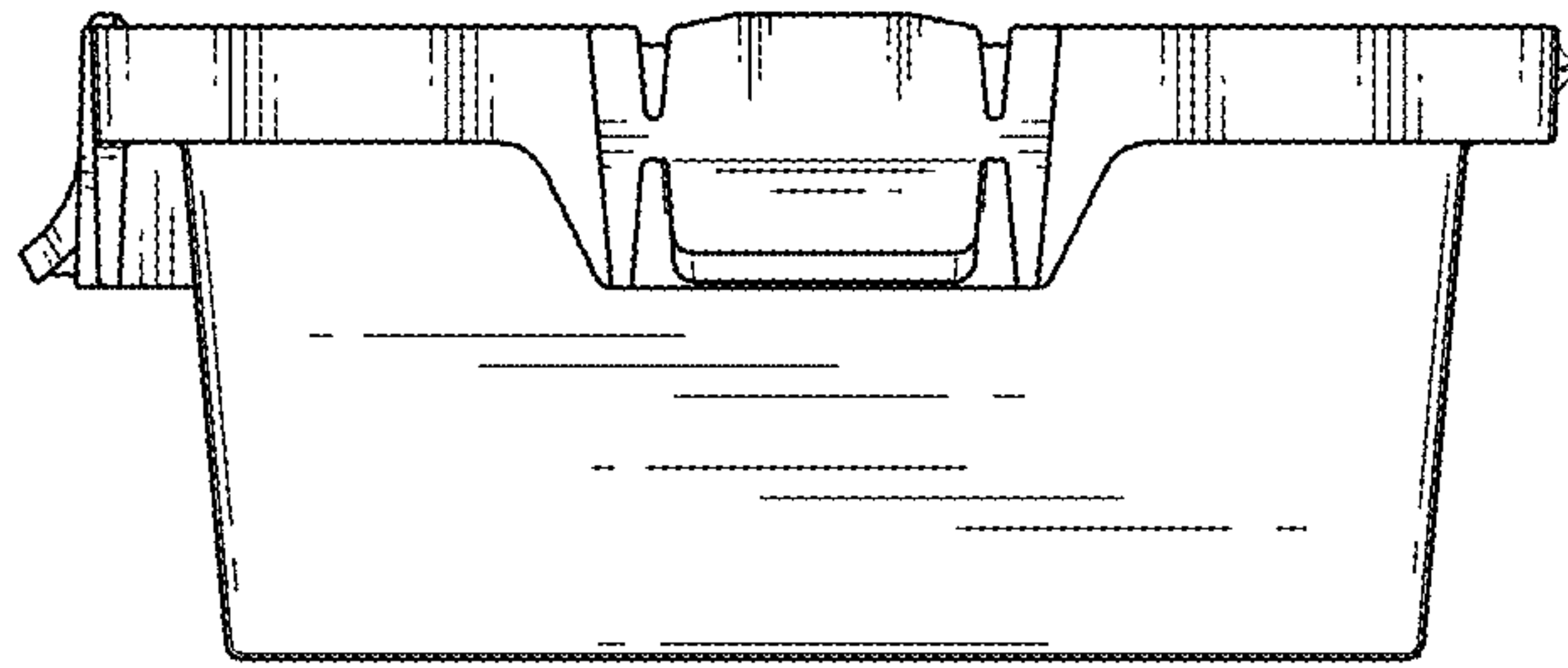


FIG. 5

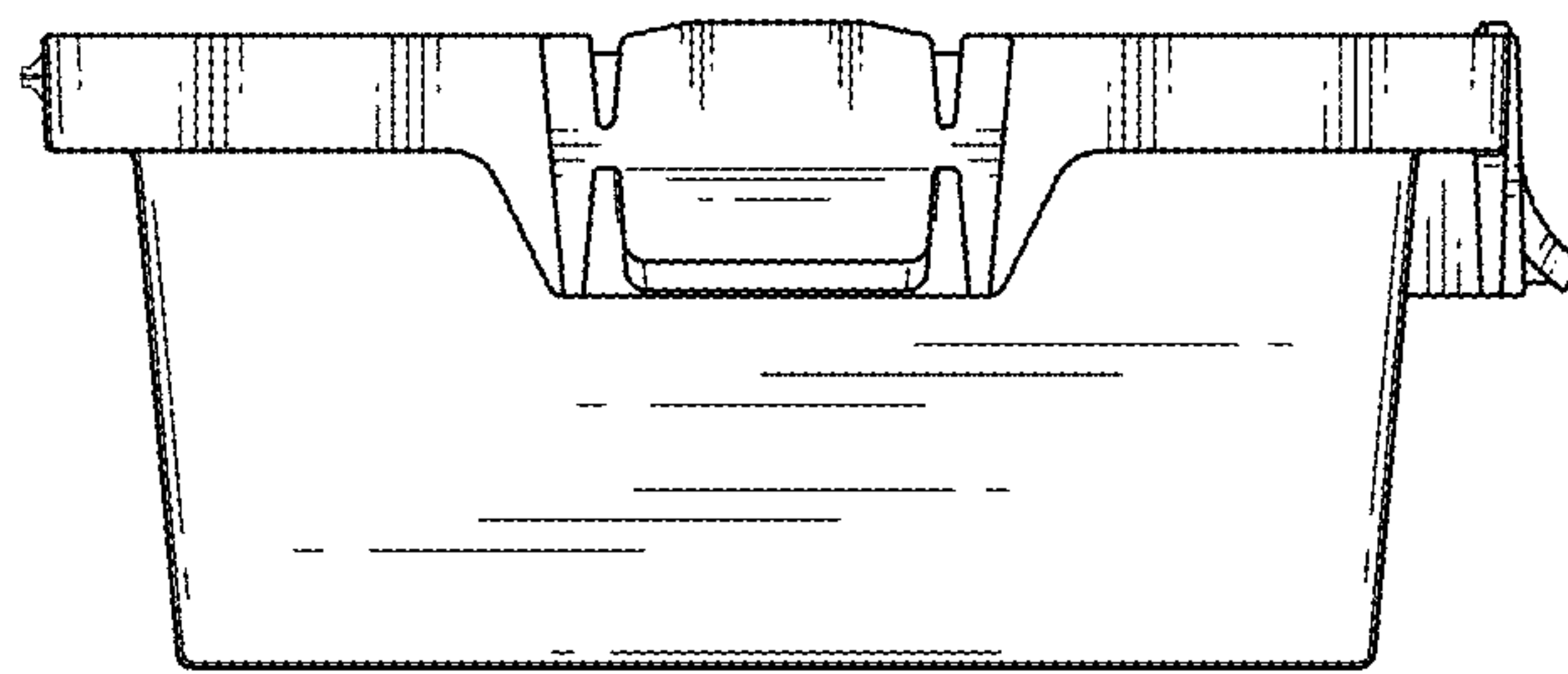


FIG. 6

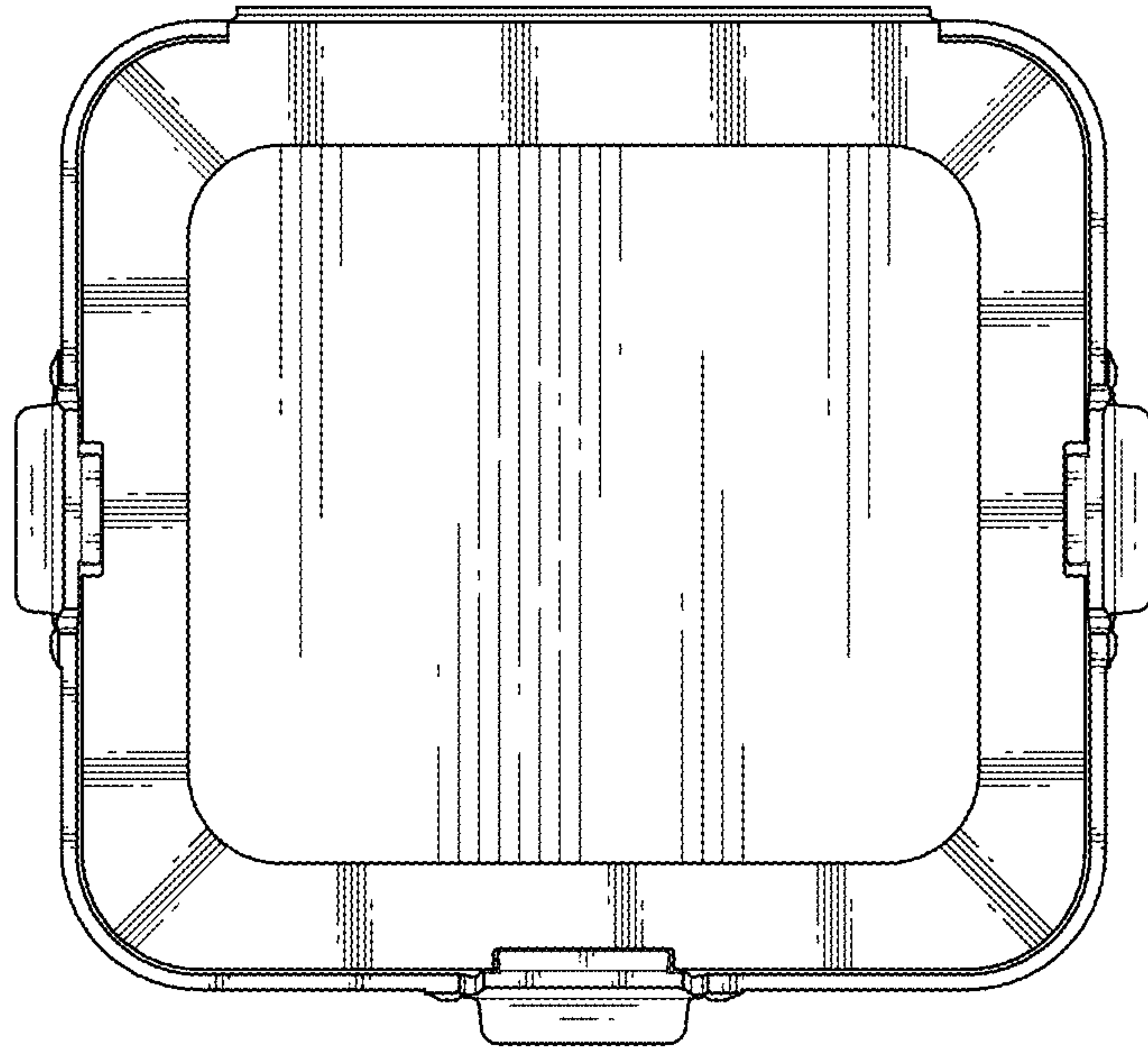


FIG. 7

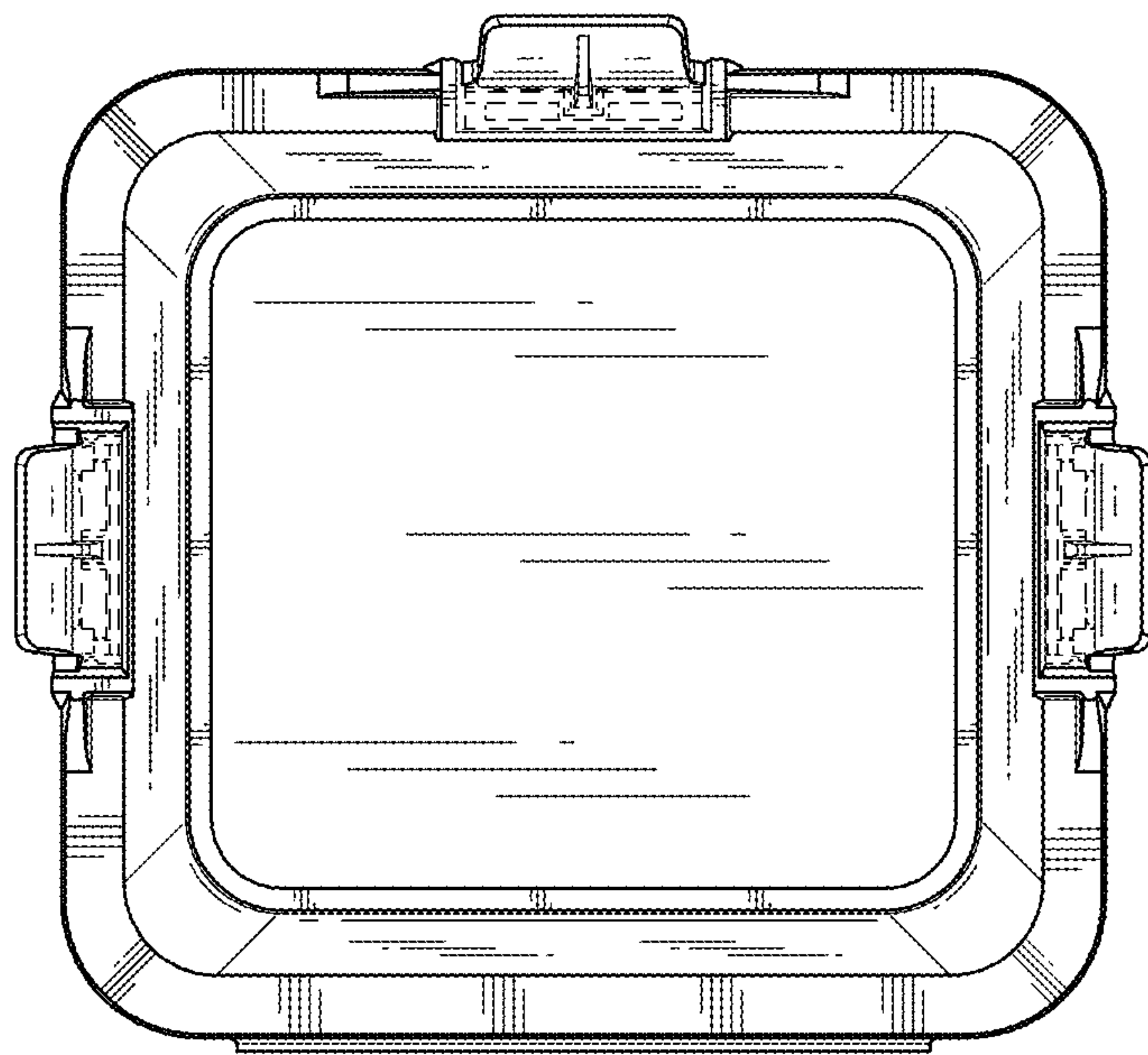


FIG. 8