



US00D941517S

(12) **United States Design Patent** (10) **Patent No.:** **US D941,517 S**
Amato et al. (45) **Date of Patent:** **** Jan. 18, 2022**

(54) **LIGHTING FIXTURE**

- (71) Applicant: **The Urban Electric Company**, North Charleston, SC (US)
- (72) Inventors: **Michael Amato**, London (GB); **David Dawson**, Charleston, SC (US); **Joeangel Casanova**, Brooklyn, NY (US); **Christopher Roof**, Charleston, SC (US); **Brianna Magagnoli**, North Charleston, SC (US); **Janis Golubeckis**, Mount Pleasant, SC (US)
- (73) Assignee: **The Urban Electric Company**, North Charleston, SC (US)

(**) Term: **15 Years**

(21) Appl. No.: **29/746,397**

(22) Filed: **Aug. 13, 2020**

(51) **LOC (13) Cl.** **26-03**

(52) **U.S. Cl.**
USPC **D26/87**

(58) **Field of Classification Search**
USPC D26/72, 80, 84–88, 92
CPC .. F21S 8/033; F21S 8/035; F21S 8/036; F21S 8/046

See application file for complete search history.

(56) **References Cited**

U.S. PATENT DOCUMENTS

D100,786 S *	8/1936	Lescaze	D26/92
D114,805 S *	5/1939	Brooks	D26/85
D298,360 S *	11/1988	Dacanay	D26/85
D320,461 S *	10/1991	Pagani	D26/87
D350,621 S *	9/1994	Yuen	D26/63
D590,983 S *	4/2009	Sabernig	D26/85
D609,388 S *	2/2010	Sabernig	D26/85
D754,905 S *	4/2016	Colombo	D26/85
D757,982 S *	5/2016	Breedlove, Sr.	D26/85
D891,674 S *	7/2020	Amato	D26/85

OTHER PUBLICATIONS

- Holly Hunt Studio Agatha Sconce Alabaster Model No. AGA-SCN-STK-1, available from hollyhunt.com, visited Oct. 28, 2021. (Year: 2021).*
- Nordic wall lamp, available from Ali Express <https://www.aliexpress.com/item/4001171481670.html>, visited Oct. 28, 2021. (Year: 2021).*
- Fixed Down Slim Wall Sconce, ITEM #: ICW960409 available from lightology.com, visited Oct. 28, 2021. (Year: 2021).*
- Holly Hunt Pleated LED Glass Sconce with Golden Bronze Patina Finish, item No. LU3493120028482 from 1stdibs.com, visited Oct. 28, 2021. (Year: 2021).*

* cited by examiner

Primary Examiner — Clare E Heflin

(74) *Attorney, Agent, or Firm* — Haynsworth Sinkler Boyd, P.A.

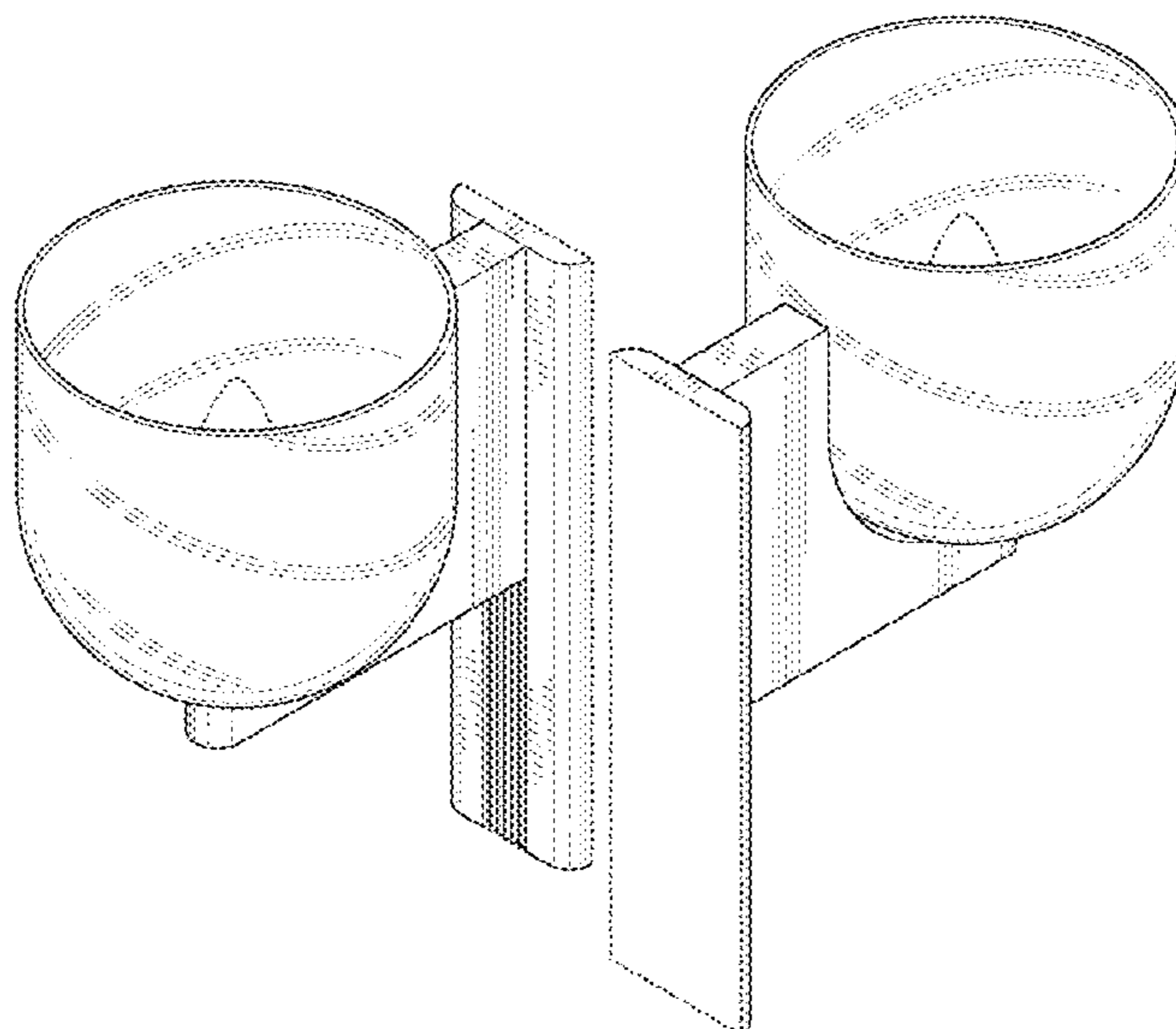
(57) **CLAIM**

The ornamental design for a lighting fixture, as shown and described.

DESCRIPTION

FIG. 1 is a top perspective view of a lighting fixture depicting a new design;
 FIG. 2 is a second top perspective view thereof;
 FIG. 3 is a front elevational view thereof;
 FIG. 4 is a back elevational view thereof;
 FIG. 5 is a left elevational view thereof;
 FIG. 6 is a right elevational view thereof;
 FIG. 7 is a top plan view thereof; and,
 FIG. 8 is a bottom plan view thereof.
 The dashed line extending from the lighting fixture in FIGS. 5-8 represents environmental structure which forms no part of the claimed design. The remaining broken line disclosures in the views represent portions of the lighting fixture that form no part of the claimed design.

1 Claim, 8 Drawing Sheets



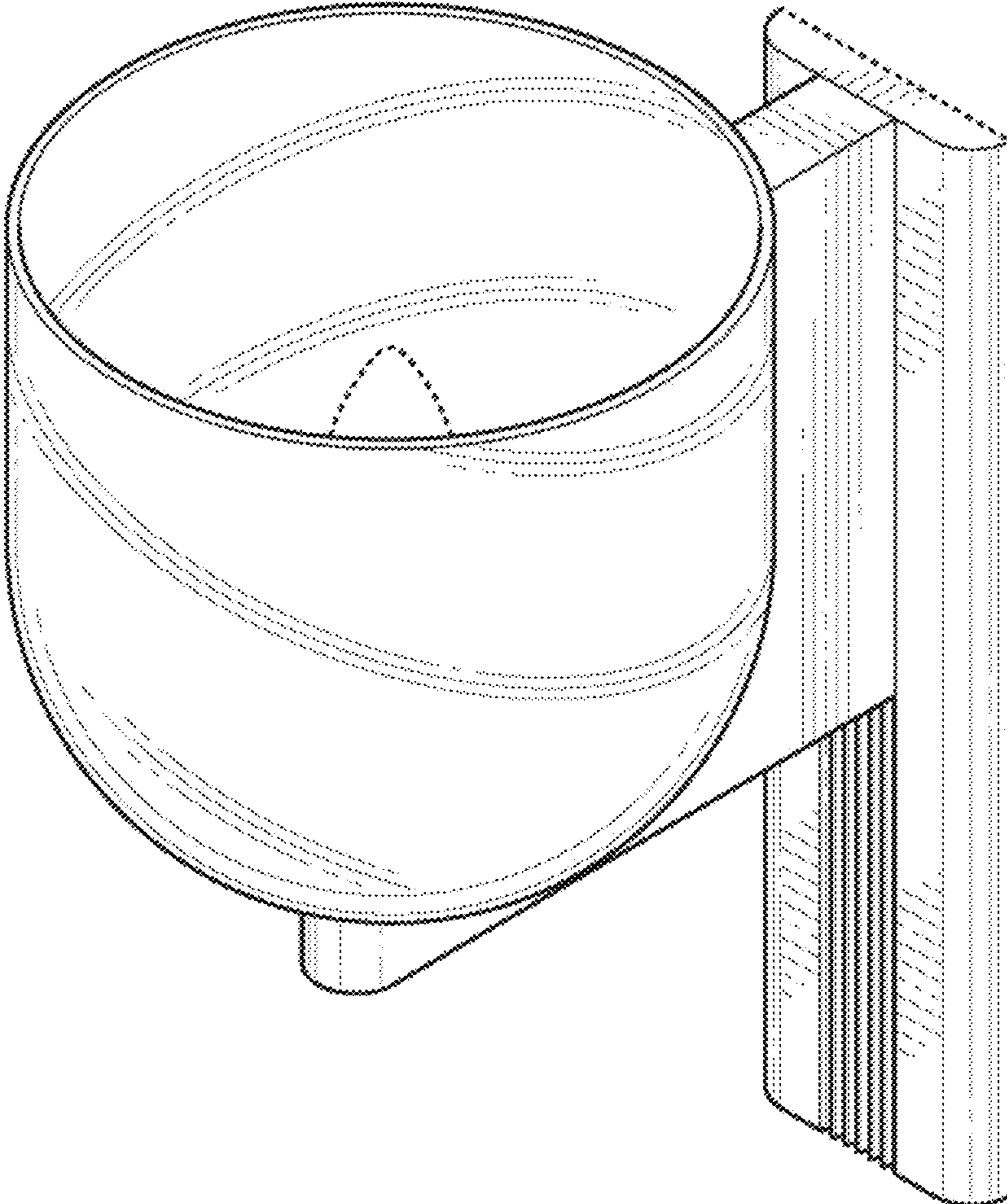


FIG. 1

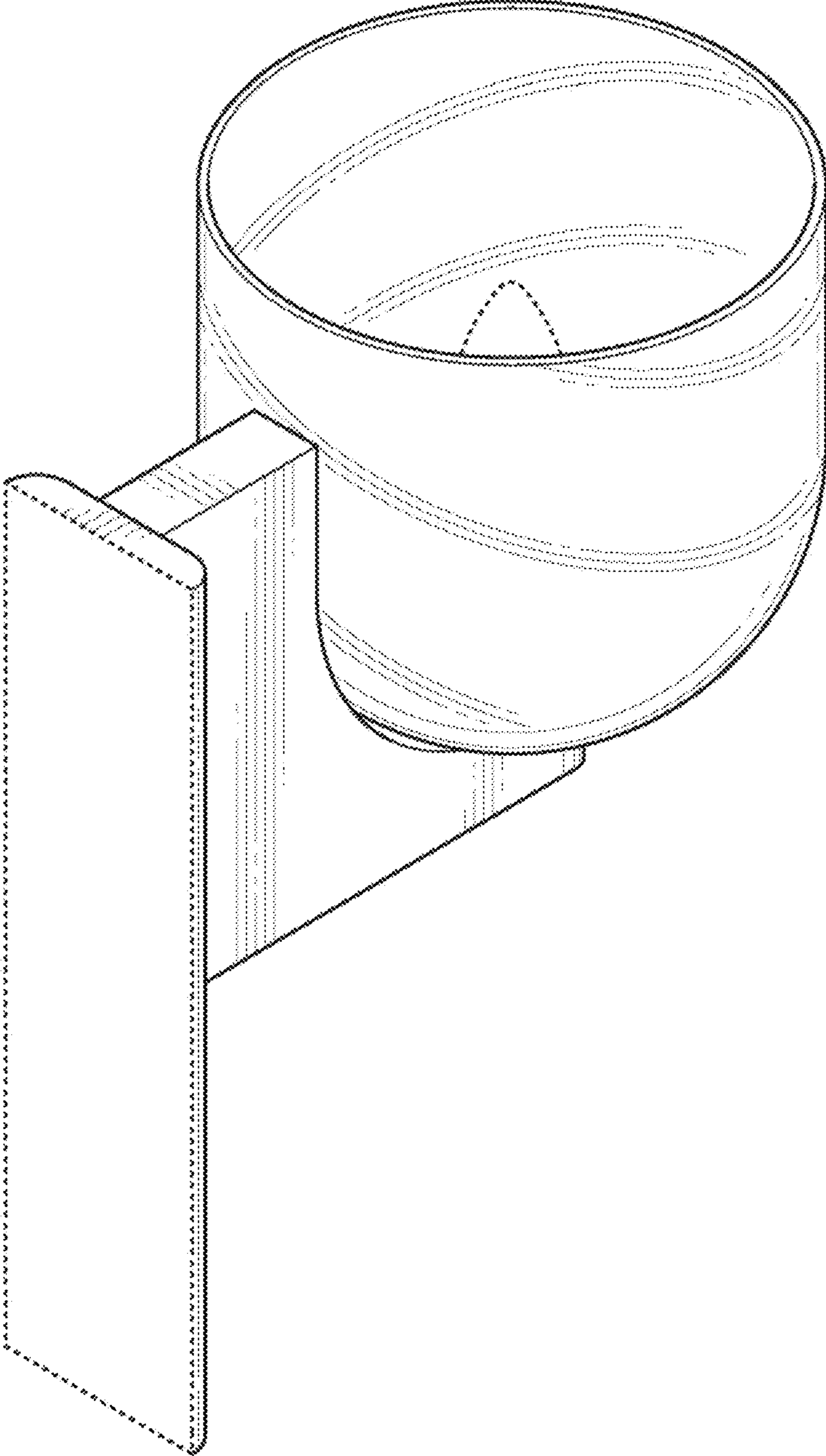


FIG. 2

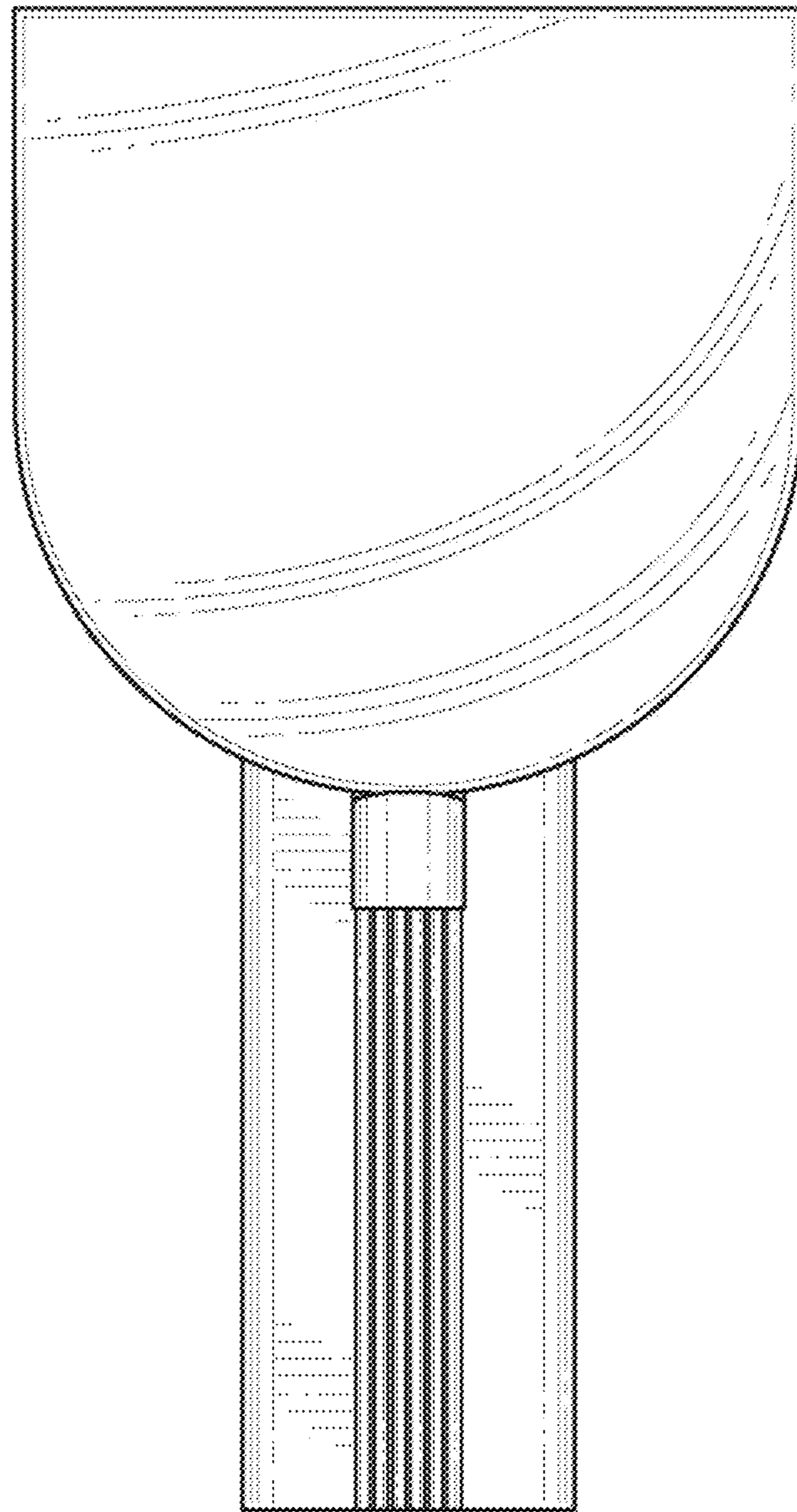


FIG. 3

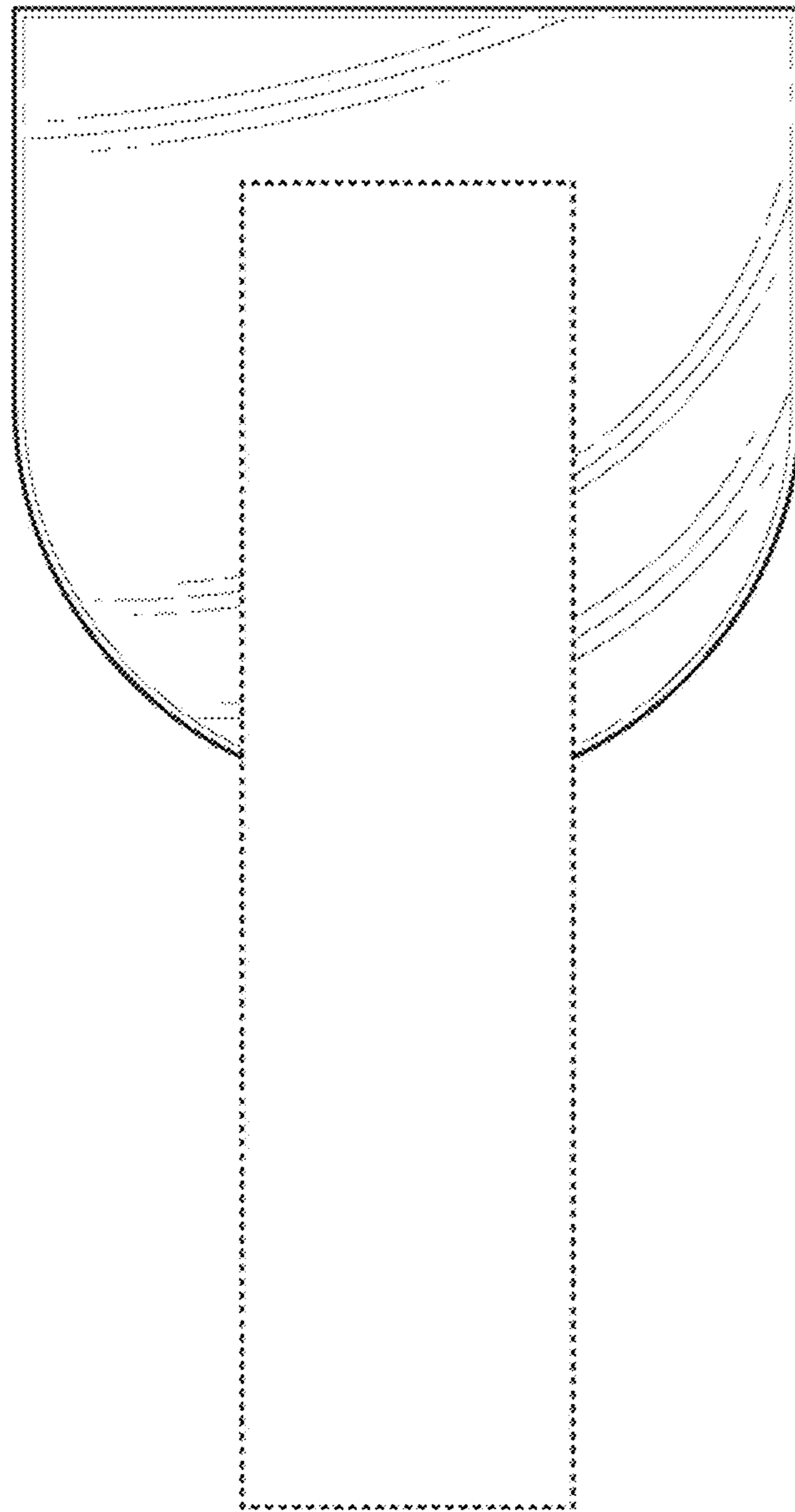


FIG. 4

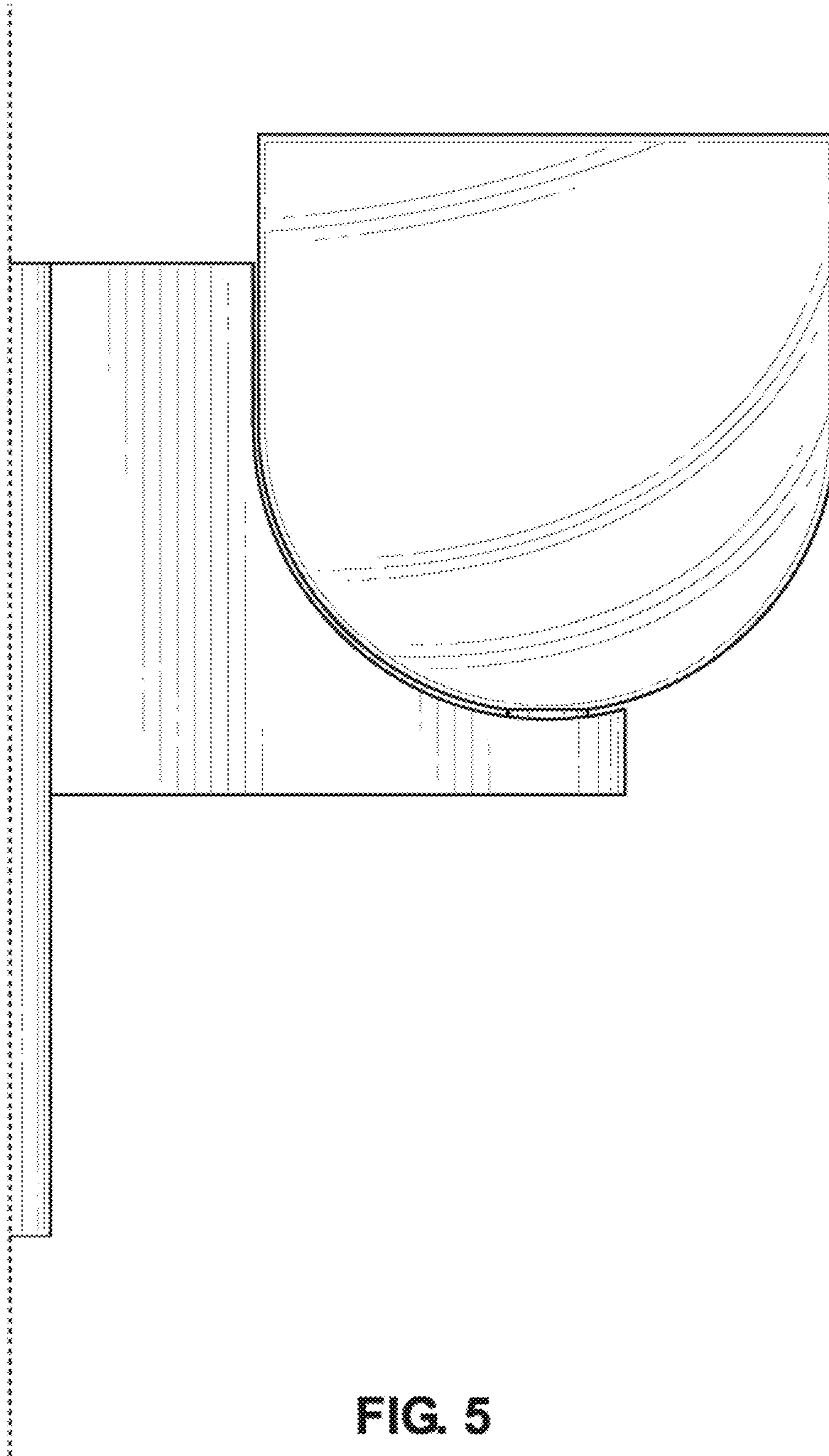


FIG. 5

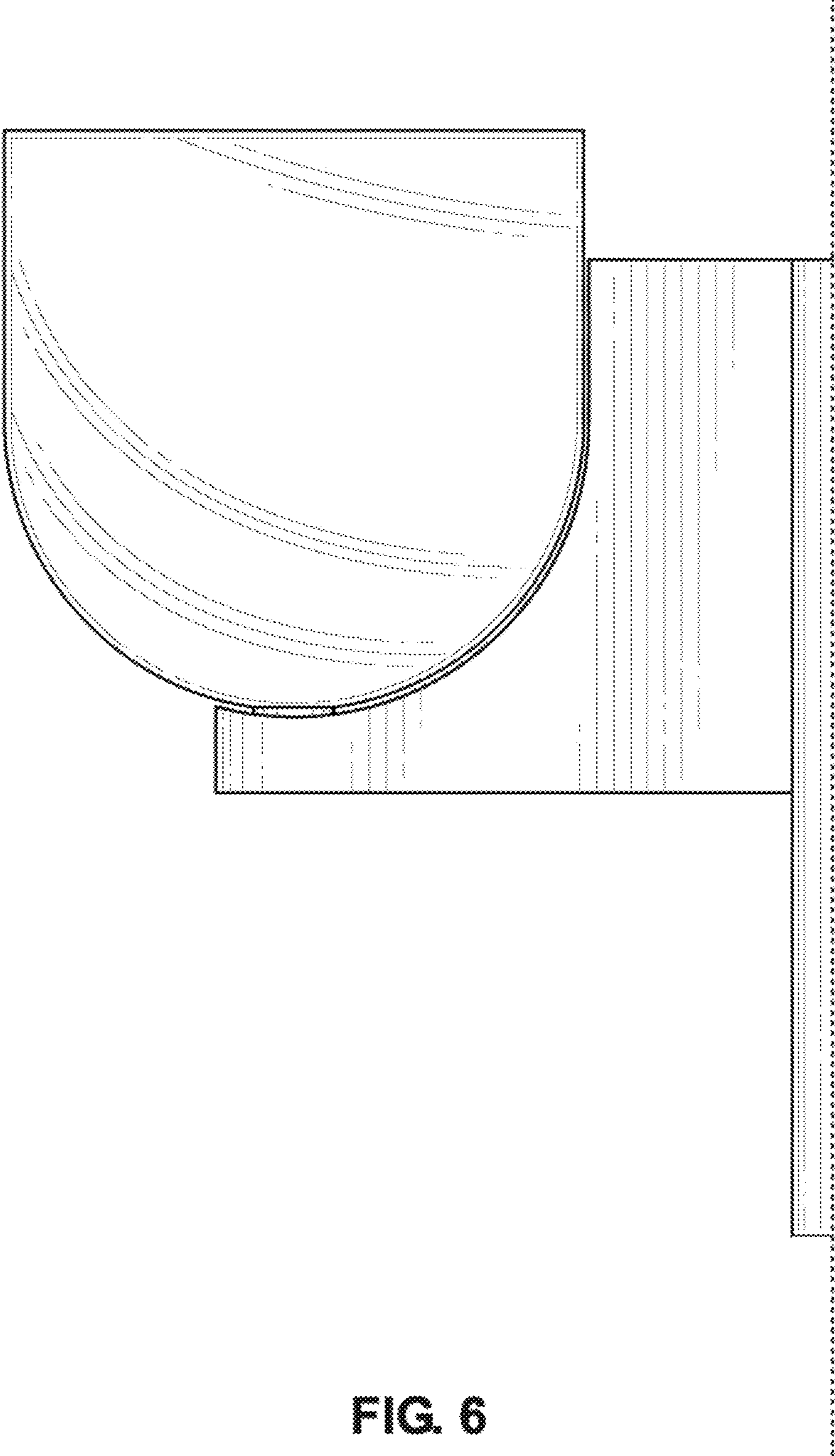


FIG. 6

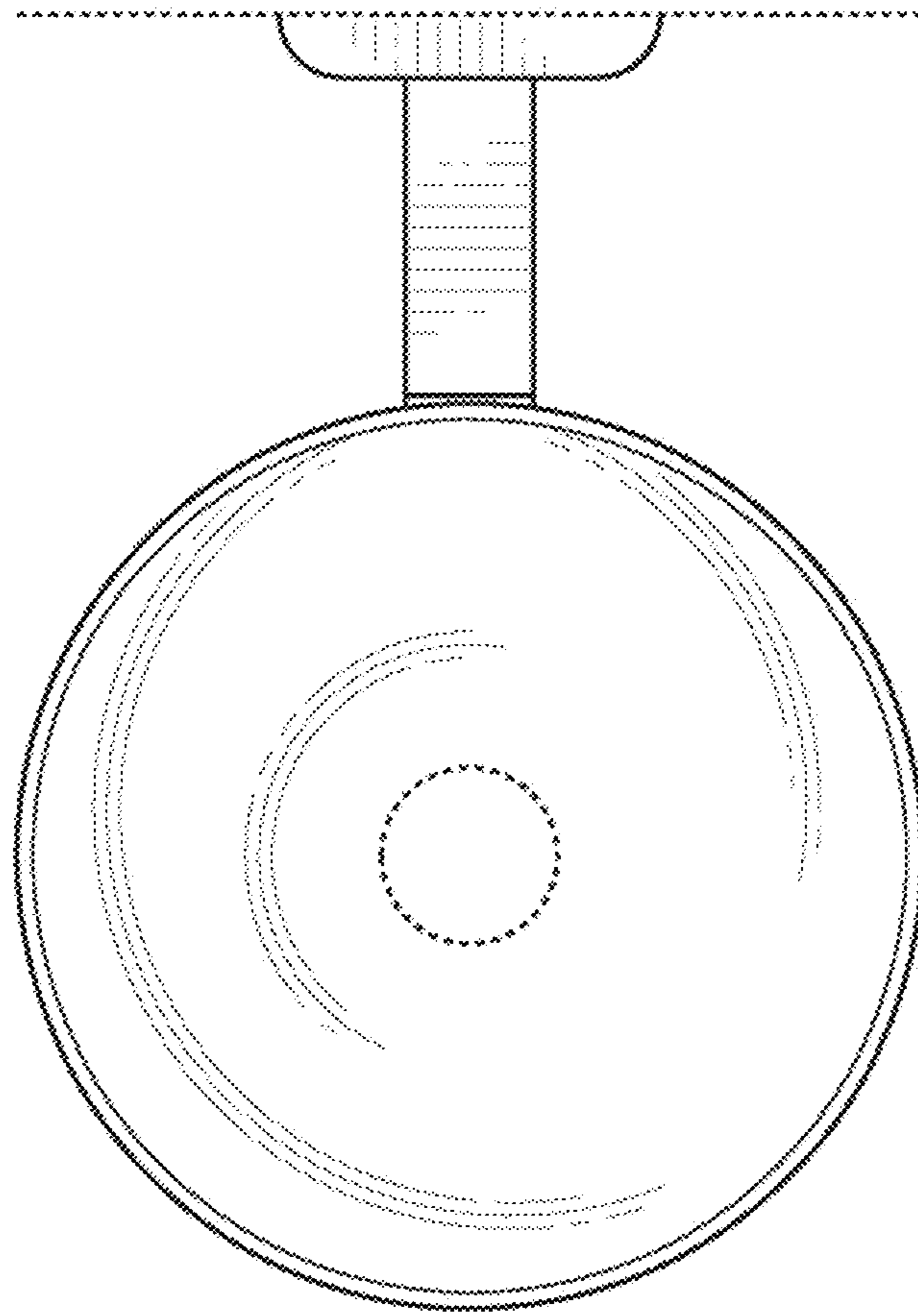


FIG. 7

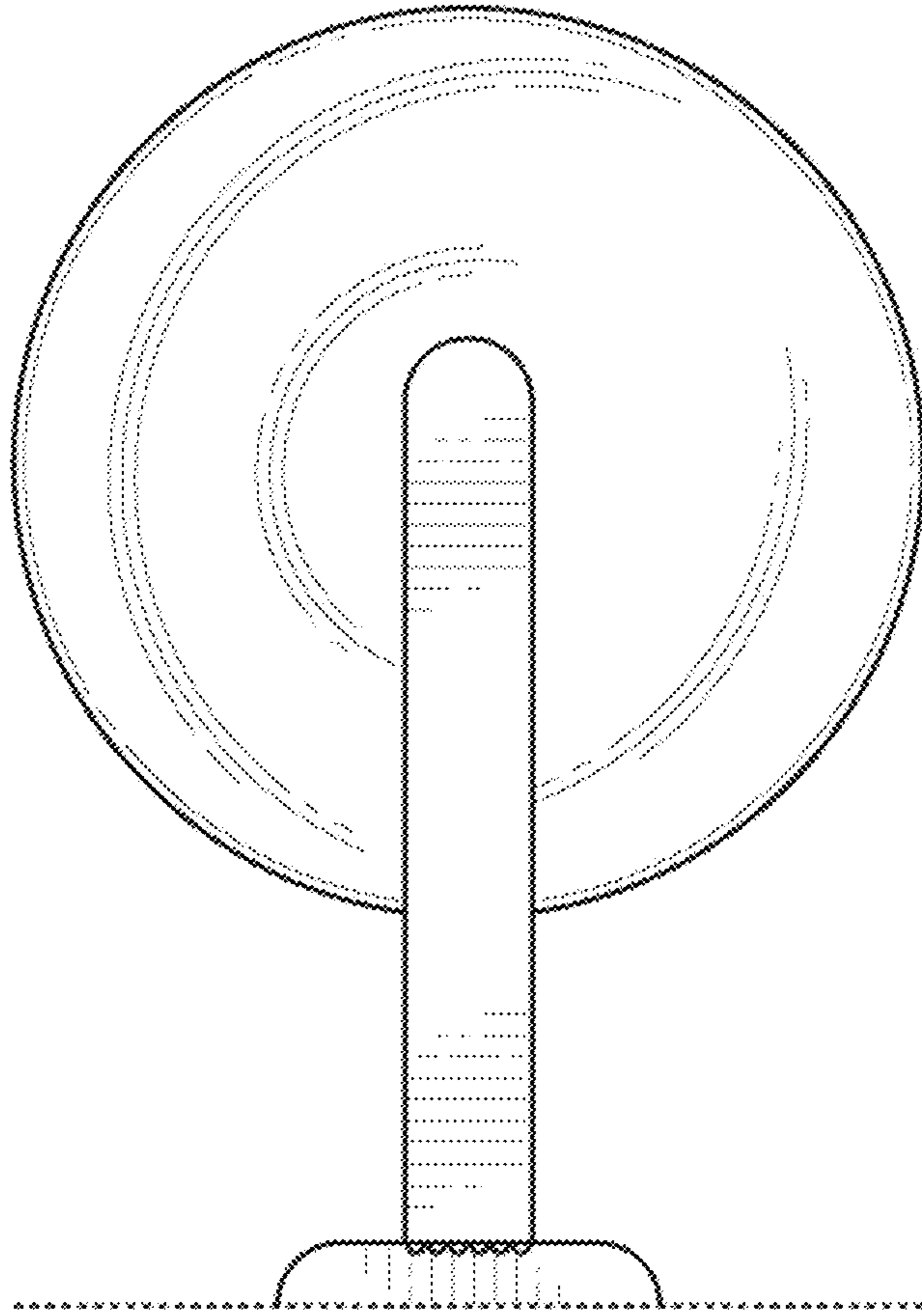


FIG. 8