



US00D941516S

(12) **United States Design Patent**
Holmes

(10) **Patent No.:** **US D941,516 S**
(45) **Date of Patent:** **** Jan. 18, 2022**

- (54) **CEILING FAN LIGHT KIT**
- (71) Applicant: **HUNTER FAN COMPANY**,
Memphis, TN (US)
- (72) Inventor: **Christine Holmes**, Memphis, TN (US)
- (73) Assignee: **Hunter Fan Company**, Memphis, TN
(US)
- (**) Term: **15 Years**
- (21) Appl. No.: **29/785,290**
- (22) Filed: **May 25, 2021**

- D411,615 S 6/1999 Lo
 - D428,982 S 8/2000 Oldenburg
 - D430,280 S 8/2000 Huang
 - D430,930 S 9/2000 Zuege
 - D435,289 S 12/2000 Liu
 - D449,396 S 10/2001 Campbell
- (Continued)

Related U.S. Application Data

- (60) Continuation of application No. 29/739,030, filed on Jun. 22, 2020, now Pat. No. Des. 923,770, which is a continuation of application No. 29/723,826, filed on Feb. 11, 2020, now Pat. No. Des. 894,458, which is a continuation of application No. 29/644,200, filed on Apr. 16, 2018, now Pat. No. Des. 880,034, which is a continuation of application No. 29/619,325, filed on Sep. 28, 2017, now Pat. No. Des. 875,288, which is a division of application No. 29/588,573, filed on Dec. 21, 2016, now Pat. No. Des. 808,002.
- (51) **LOC (13) Cl.** **26-05**
- (52) **U.S. Cl.**
USPC **D26/59**; D26/87
- (58) **Field of Classification Search**
USPC D23/370, 377, 379, 385, 411; D26/59
CPC ... F04D 25/088; F04D 29/005; F21V 33/0096
See application file for complete search history.

References Cited

U.S. PATENT DOCUMENTS

- D298,454 S 11/1988 Clyde-Mason
- D300,372 S 3/1989 O
- D325,776 S 4/1992 Scofield et al.
- D345,790 S 4/1994 Caldwell

OTHER PUBLICATIONS

<https://www.lowes.com/pd/Hunter-Allegheny-52-in-New-Bronze-Flush-Mount-Indoor-Outdoor-Ceiling-Fan-with-Light-Kit/3819969>, Hunter Allegheny 52-in. New Bronze Flush Mouny Indoor/Outdoor Ceiling Fan with Light Kit, accessed Apr. 6, 2018.
(Continued)

Primary Examiner — Janice Hallmark
(74) *Attorney, Agent, or Firm* — McGarry Bair PC

CLAIM

The ornamental design for a ceiling fan light kit, as shown and described.

DESCRIPTION

This application is related to U.S. patent application Ser. No. 29/716,630, filed on Dec. 11, 2019, issued as U.S. Design Pat. No. D890,972, and U.S. Patent application Ser. No. 29/718,907, filed on Dec. 30, 2019, now issued as U.S. Design Pat. No. D890,911.

FIG. 1 is a bottom perspective view of a ceiling fan light kit shown in the environment of a ceiling fan, showing my new design;

FIG. 2 is a top perspective view of the ceiling fan light kit of FIG. 1, having the ceiling fan environment removed;

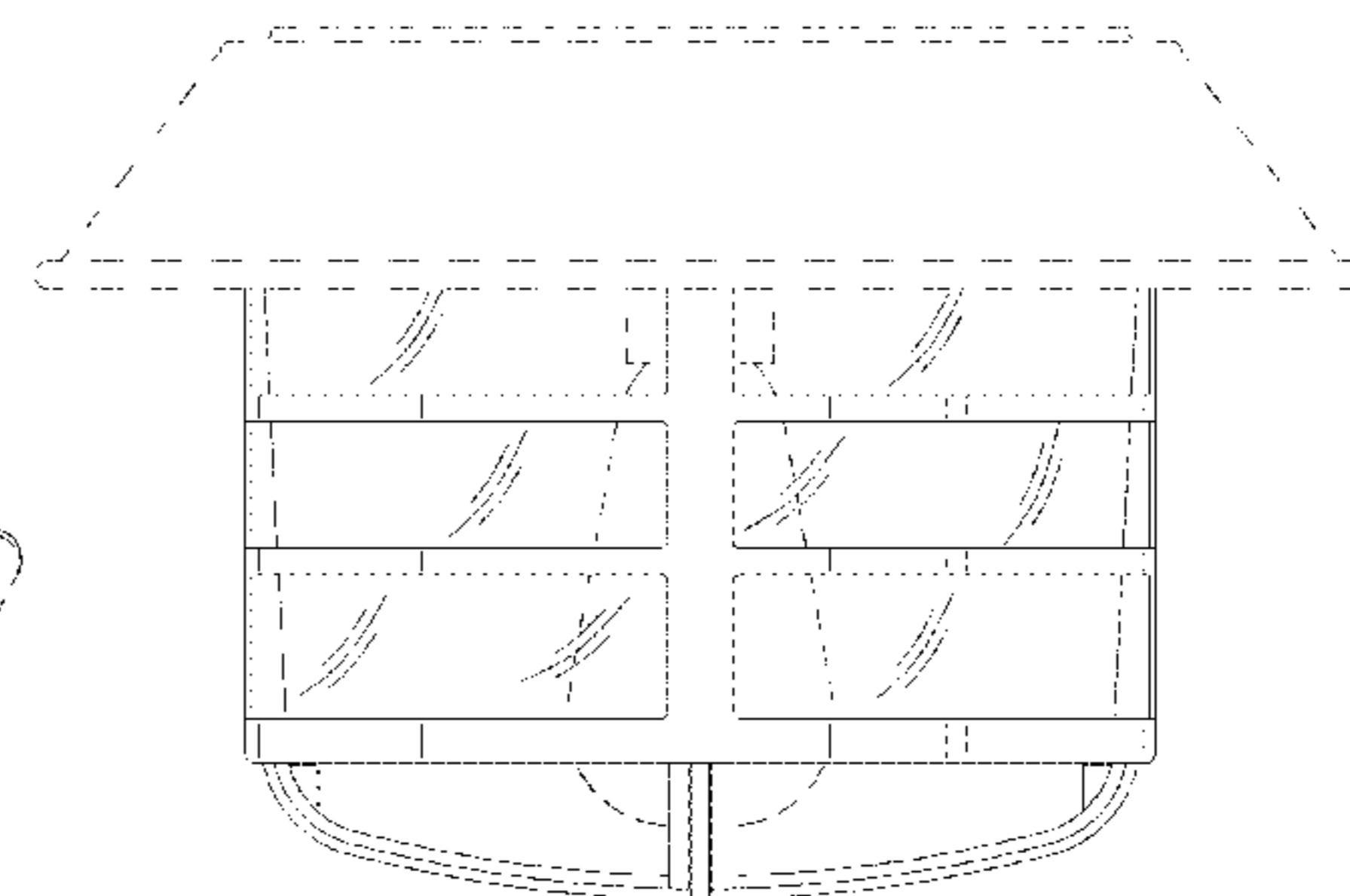
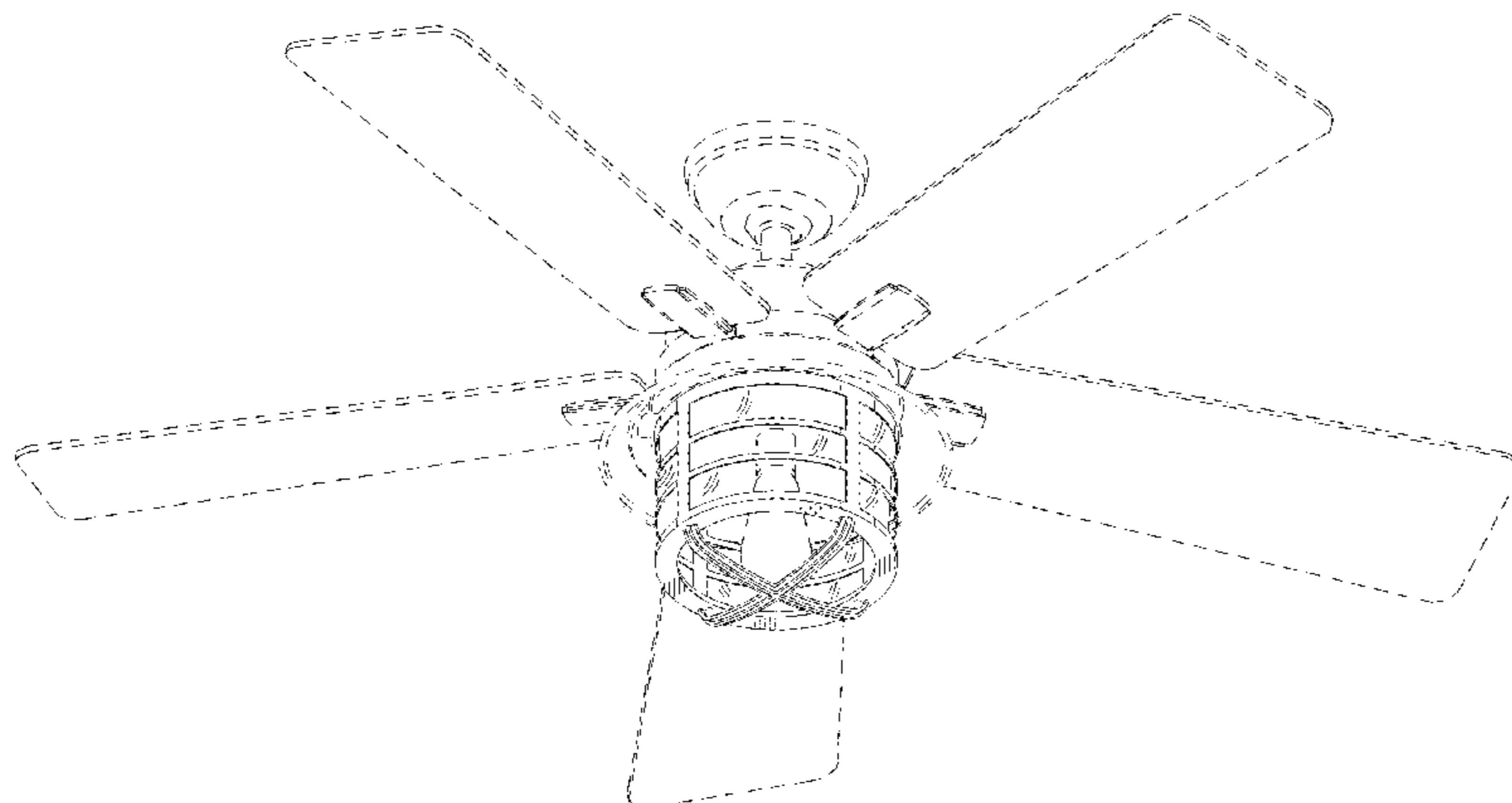
FIG. 3 is a top view thereof;

FIG. 4 is a bottom view thereof; and,

FIG. 5 is a side view thereof.

Portions of the ceiling fan light kit and the ceiling fan environment shown in broken lines form no part of the claimed design.

1 Claim, 5 Drawing Sheets



(56)

References Cited

OTHER PUBLICATIONS

U.S. PATENT DOCUMENTS

D451,191 S 11/2001 Goodman
 D462,756 S 9/2002 Liu
 D464,722 S 10/2002 Sonneman
 D476,406 S 6/2003 Friedes
 D476,411 S 6/2003 Friedes
 D510,622 S 10/2005 Tai
 D514,695 S 2/2006 Badarello
 D516,200 S 2/2006 Pickett
 D517,197 S 3/2006 Pickett
 D517,675 S 3/2006 Young
 D521,625 S 5/2006 Young
 D522,642 S 6/2006 Matsuda et al.
 D525,696 S 7/2006 Ertze
 D528,645 S 9/2006 Young
 D533,677 S 12/2006 Broughton et al.
 D539,894 S 4/2007 Bucher
 D555,239 S 11/2007 Shurtleff
 D555,779 S 11/2007 Bucher
 D556,930 S * 12/2007 Ertze D26/59
 D562,972 S 2/2008 Pickett
 D574,945 S 8/2008 Hidalgo
 D575,288 S 8/2008 Chen
 D580,044 S 11/2008 Ertze
 D653,795 S 2/2012 Guercio et al.
 D699,339 S 2/2014 Wang
 D704,819 S 5/2014 Wang
 D704,822 S 5/2014 Wang
 D710,489 S 8/2014 Shurtleff
 D710,490 S * 8/2014 Shurtleff D23/411
 D732,157 S 6/2015 Lin et al.
 D799,664 S 10/2017 Wang
 D804,635 S 12/2017 Holmes
 D804,638 S 12/2017 Guthrie
 D805,173 S 12/2017 Habig et al.
 D805,182 S 12/2017 Pickett
 D805,185 S 12/2017 Rowe et al.
 D806,852 S 1/2018 Holmes
 D808,002 S 1/2018 Holmes
 D808,022 S 1/2018 Ingemarsson-Matzen
 D810,918 S 2/2018 Holmes
 D814,011 S 3/2018 McRoberts et al.
 D818,104 S 5/2018 Holmes et al.
 D821,009 S 6/2018 Holmes
 D821,010 S 6/2018 Holmes
 D823,512 S 7/2018 Habig et al.
 D825,086 S 8/2018 Holmes
 D829,363 S 9/2018 Lan
 D834,172 S 11/2018 Guthrie
 D840,077 S * 2/2019 Holmes D26/59
 D855,872 S 8/2019 Lan
 D855,873 S 8/2019 Haggard
 D856,572 S 8/2019 Haggard
 D857,978 S 8/2019 Fan
 D858,863 S 9/2019 Deng
 D859,628 S 9/2019 Yang
 D859,630 S 9/2019 Puerto
 D861,218 S 9/2019 Yang
 D873,407 S 1/2020 Wang
 D875,288 S 2/2020 Holmes
 D876,696 S 2/2020 Holmes et al.
 D878,652 S * 3/2020 McRoberts D26/59
 D880,034 S 3/2020 Holmes
 D883,465 S 5/2020 Takamitsu
 D886,345 S * 6/2020 O'Connell D26/59
 D890,319 S 7/2020 Francis
 D890,911 S 7/2020 Holmes
 D890,972 S 7/2020 Holmes
 D894,458 S 8/2020 Holmes
 D896,949 S * 9/2020 Wang D23/411
 D898,182 S * 10/2020 Zhang D23/411
 D899,653 S * 10/2020 Holmes D26/59
 D917,740 S * 4/2021 Lan D26/25
 D923,770 S * 6/2021 Holmes D23/377
 2005/0207140 A1 9/2005 Srass et al.

<http://www.hunterfan.com/Ceiling-Fans/Perdido-Key?ModelNumber=59276>, Item Specification for Hunter 54" Perdido Key CAN—54" Ceiling Fan, Accessed Oct. 28, 2016.
<http://www.homedepot.com/p/Hampton-Bay-Devereaux-II-52-in-Oil-Rubbed-Bronze-Ceiling-Fan-AL685-ORB/203244862>, Item Specification for Hampton Bay Devereaux II 52 in. Oil-Rubbed Bronze Ceiling Fan, Accessed Oct. 28, 2016.
<http://www.hunterfan.com/Ceiling-Fans/Ivy-Creek?ModelNumber=59277>, Item Specification for Hunter Ivy Creek—52" Ceiling Fan, Accessed Oct. 28, 2016.
<http://www.hunterfan.com/Ceiling-Fans/Key-Biscayne?ModelNumber=59135>, Item Specification for Hunter Key Biscayne—54" Ceiling Fan, Accessed Oct. 28, 2016.
<http://ceilingfans.emerson.com/shop/en/fan/fan-s-all/fans-s-browse-all/maui-bay-fan-p-cf2000>, Item Specification for Emerson Maui Bay—52" Ceiling Fan, Accessed Oct. 28, 2016.
<http://www.fanimation.com/products/index.php/fans/kaya.html>, Item Specification for Fanimation Kaya Ceiling Fan, Accessed Oct. 28, 2016.
<http://www.kichler.com/products/product/52-inch-chicago-fan-tzg-300001tztg.aspx>, Item Specification for Kichler Chicago Collection 52 Inch Chicago Fan TZG, Accessed Oct. 28, 2016.
<http://www.montecarlofans.com/32990/52-Morton—Oil-Rubbed-Bronze-5MB52OZD.html>, Item Specification for Monte Carlo 52" Morton—Oil Rubbed Bronze, Accessed Oct. 28, 2016.
<http://www.homedepot.com/p/Hampton-Bay-Metro-54-in-Rustic-Copper-Indoor-Outdoor-Ceiling-Fan-34342/202075572>, Item Specification for Hampton Bay Metro 54 in. Rustic Copper Indoor/Outdoor Ceiling Fan, Accessed Oct. 28, 2016.
<http://www.craftmade.com/Craftmade-MOR54ESP3-Espresso-Ceiling-Fan.HTM>, Item Specification for Craftmade MOR54ESP3—Moorestad, Accessed Oct. 28, 2016.
<http://www.minkagroup.net/products/f582-orb>, Item Specification for Minka Aire F582-ORB 52" Rainman, Accessed Oct. 28, 2016.
<http://www.craftmade.com/Craftmade-OLK13CFL-FB-Flat-Black-Outdoor-Light-Kit.HTM>, Item Specification for Craftmade OLK13CFL-FB, Accessed Oct. 28, 2016.
<http://www.craftmade.com/Craftmade-OLK200CFL-RI-Rustic-Iron-Ceiling-Fan-Light-Kit.HTM>, Item Specification for Craftmade OLK200CFL-RI, Accessed Oct. 28, 2016.
<http://www.craftmade.com/Craftmade-OLK67CFL-OB-Oiled-Bronze-Outdoor-Light-Kit.HTM>, Item Specification for Craftmade OLK67CFL-OB, Accessed Oct. 28, 2016.
<http://www.modernfan.com/products/pharos.html>, Item Specification for Pharos, Accessed Oct. 28, 2016.
<http://www.montecarlofans.com/32467/52-Aviary—Dark-Bronze-4AIR52DBD.html>, Item Specification for Monte Carlo 52" Aviaary—Dark Bronze, Accessed Oct. 28, 2016.
[http://www.montecarlofans.com/22172/52-Burnet-Outdoor-Fan---Roman-Bronze-\(Wet-Rated\)-5BR52RBD.html](http://www.montecarlofans.com/22172/52-Burnet-Outdoor-Fan---Roman-Bronze-(Wet-Rated)-5BR52RBD.html), Item Specification for Monte Carlo 52" Burnet Outdoor Fan—Roman Bronze (Wet Rated), Accessed Oct. 28, 2016.
<http://www.homedepot.com/p/Hampton-Bay-Glacier-Bay-52-in-Indoor-Outdoor-Rustic-Copper-Ceiling-Fan-14938/202790702>, Item Specification for Hampton Bay Glacier Bay 52in. Indoor/Outdoor Rustic Copper Ceiling Fan, Accessed Oct. 28, 2016.
<http://www.homedepot.com/p/Hampton-Bay-North-Shoreline-46-in-Natural-Iron-Indoor-Outdoor-Ceiling-Fan-with-Light-Kit-51546/205643117>, Item Specification for Hampton Bay North Shoreline 46 in. Natural Iron Indoor/Outdoor Ceiling Fan with Light Kit, Accessed Oct. 28, 2016.
<https://www.lowes.com/pd/Harbor-Breeze-Merrimack-52-in-Antique-Bronze-Downrod-Mount-Indoor-Outdoor-Ceiling-Fan-with-Light-Kit-and-Remote/4165863>, Item Specification for Harbor Breeze Merrimack 52-in Antique Bronze Downrod Mount Indoor/Outdoor Ceiling Fan with Light Kit and Remote, Accessed Oct. 28, 2016.
<http://www.hunterfan.com/Ceiling-Fans/Mayford?ModelNumber=59205>, Item Specification for Hunter Mayford—54" Ceiling Fan, Accessed Oct. 28, 2016.

(56)

References Cited

OTHER PUBLICATIONS

<http://arcadianhome.com/CM-B552C-CR>, Item Specification for Craftmade Contour Series 52" Type 2 Blades—CM-B552C-CR, Accessed Oct. 28, 2016.

<http://www.fanimation.com/products/index.php/22-inch-breckenfield-composite-blade-set.html>. Item Specification for Fanimation 22 Inch Breckenfield Composite Blade Set, Accessed Oct. 28, 2016.

* cited by examiner

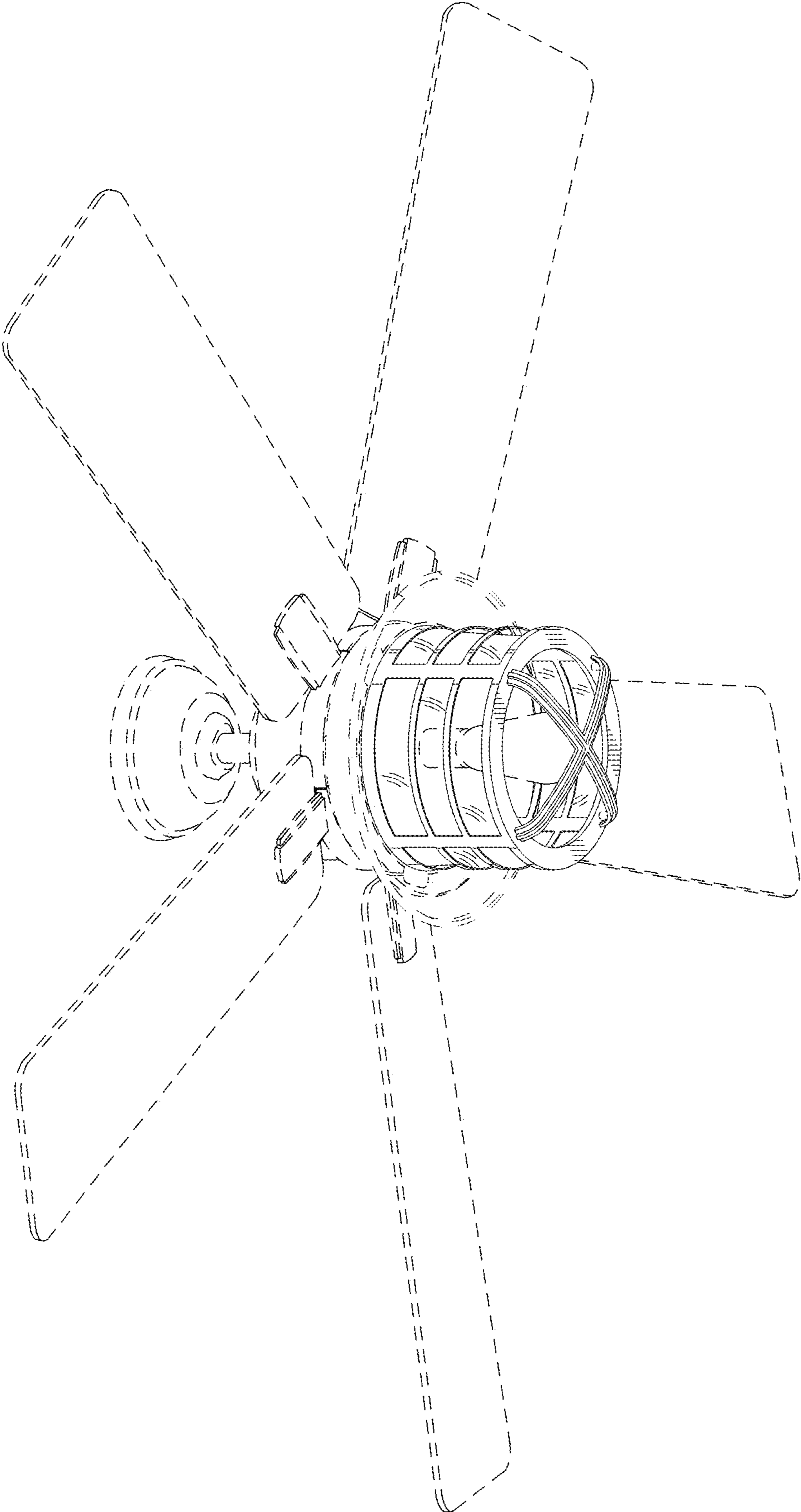


FIG. 1

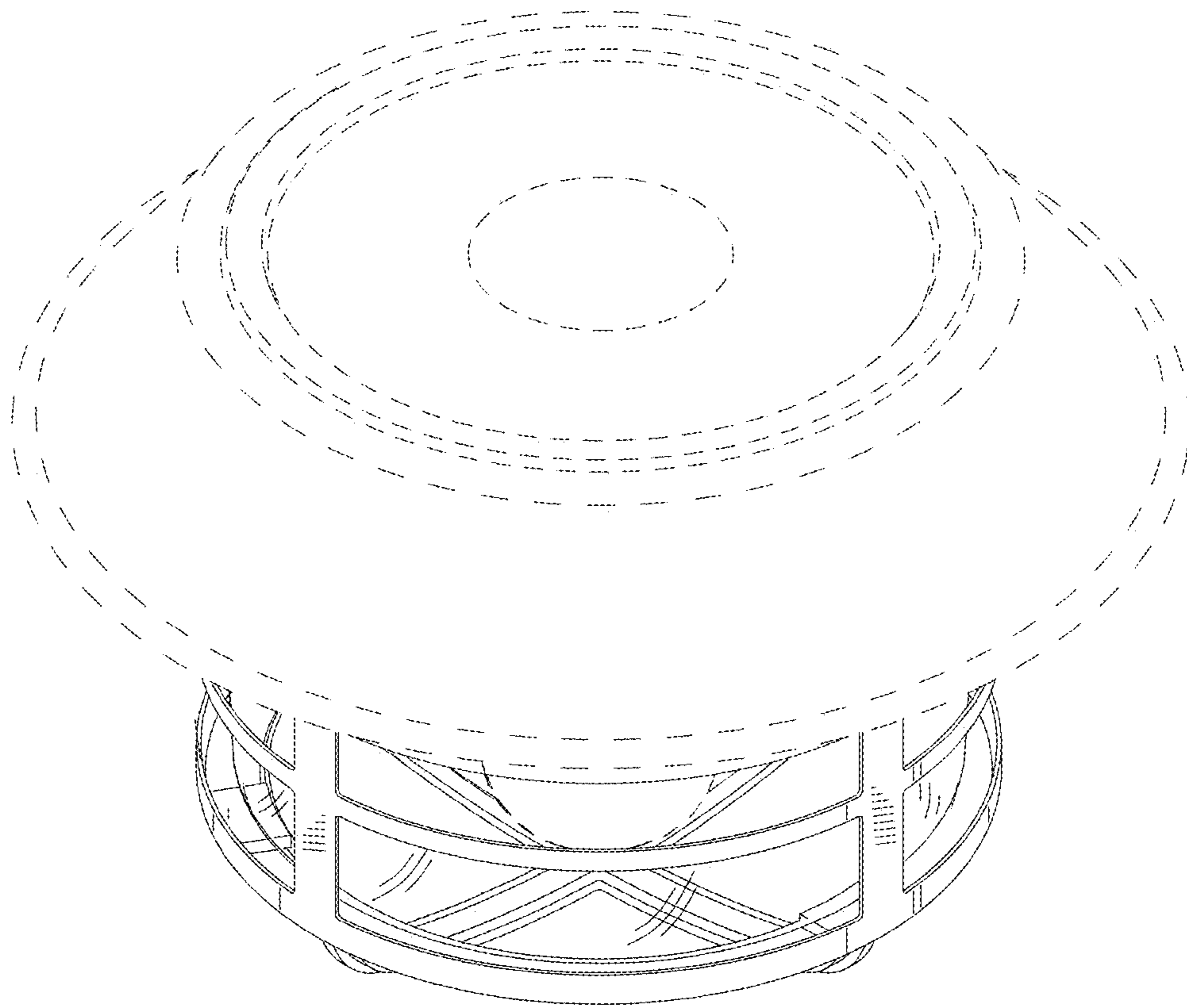


FIG.2

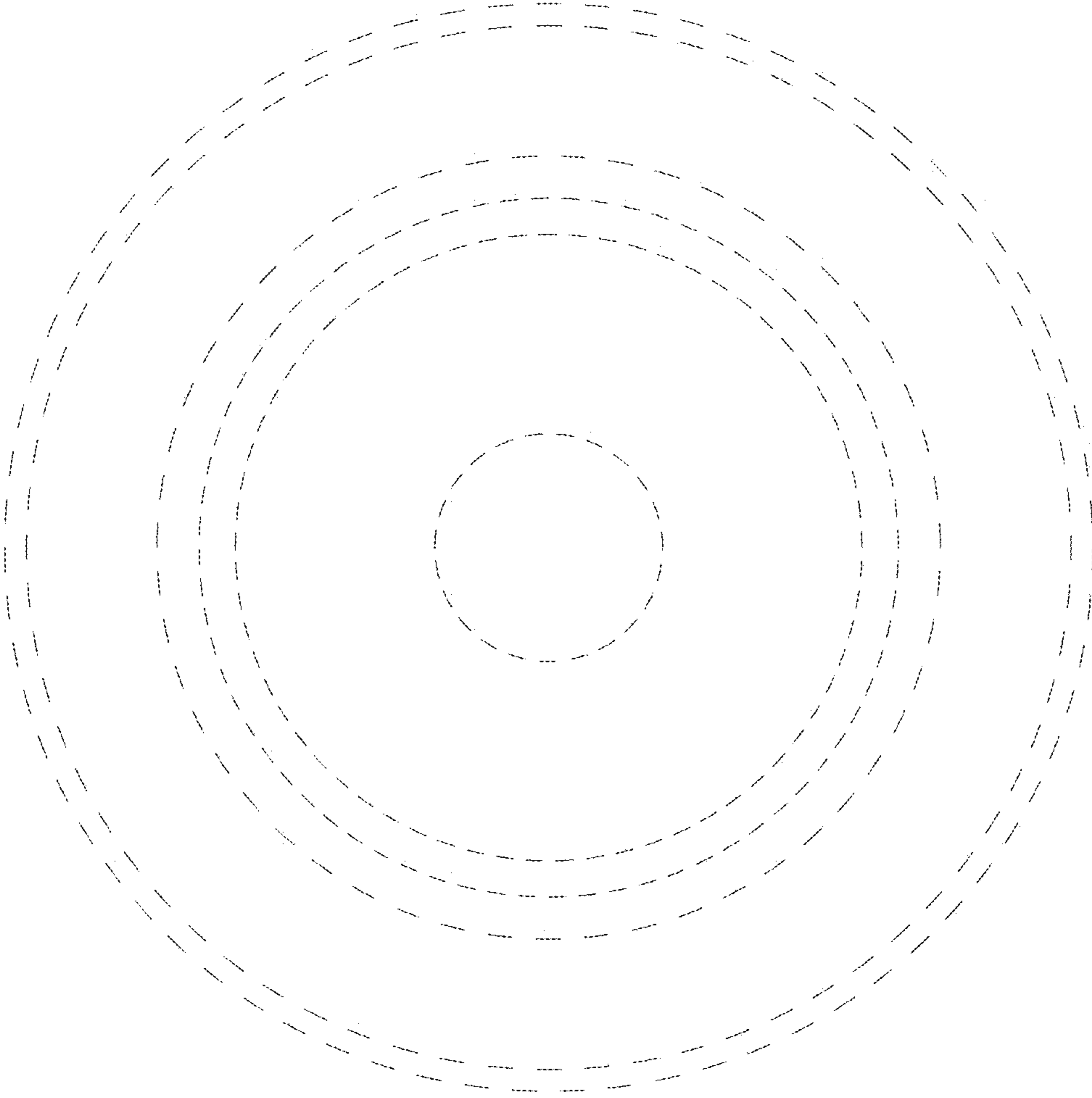


FIG.3

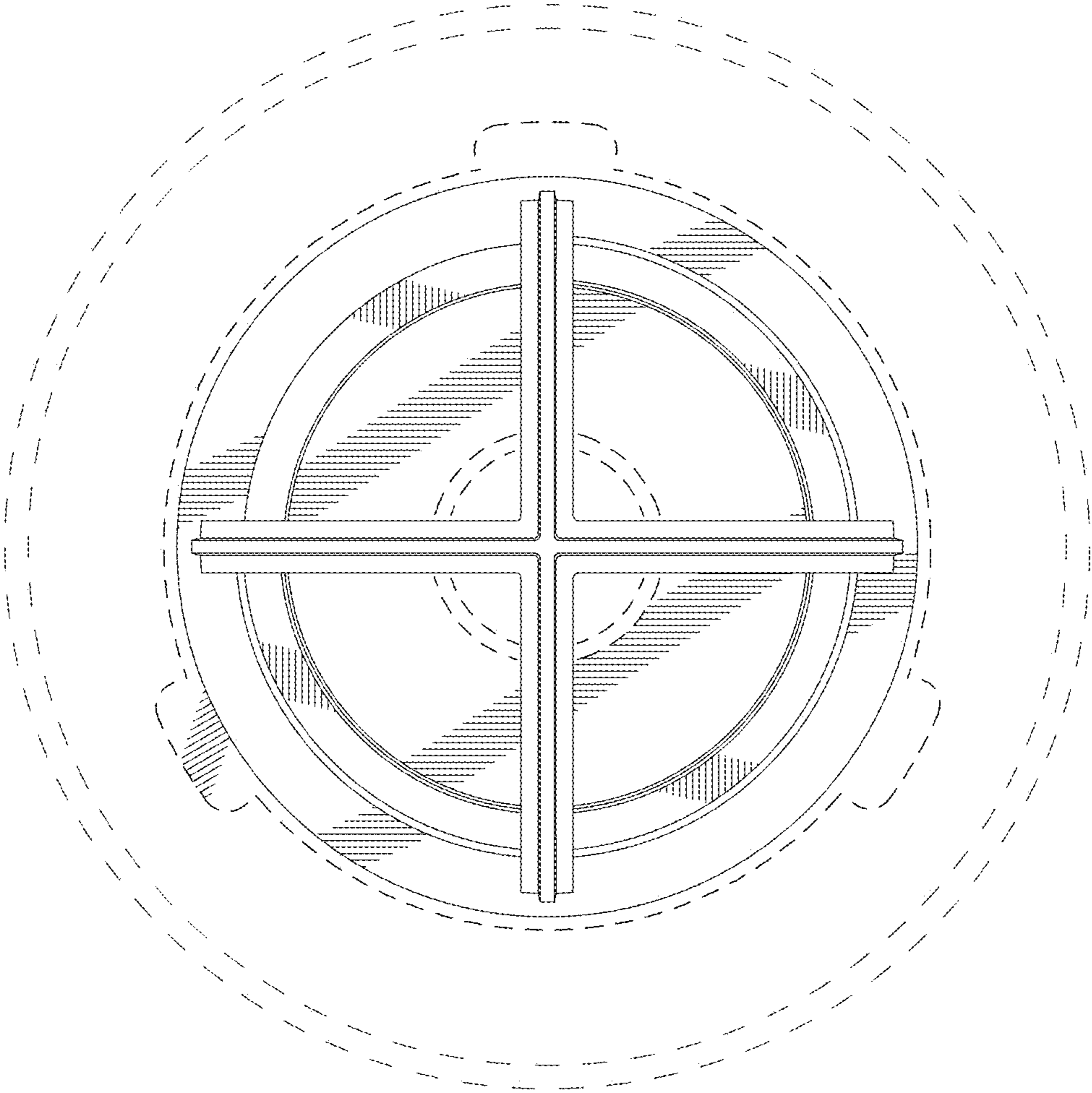


FIG.4

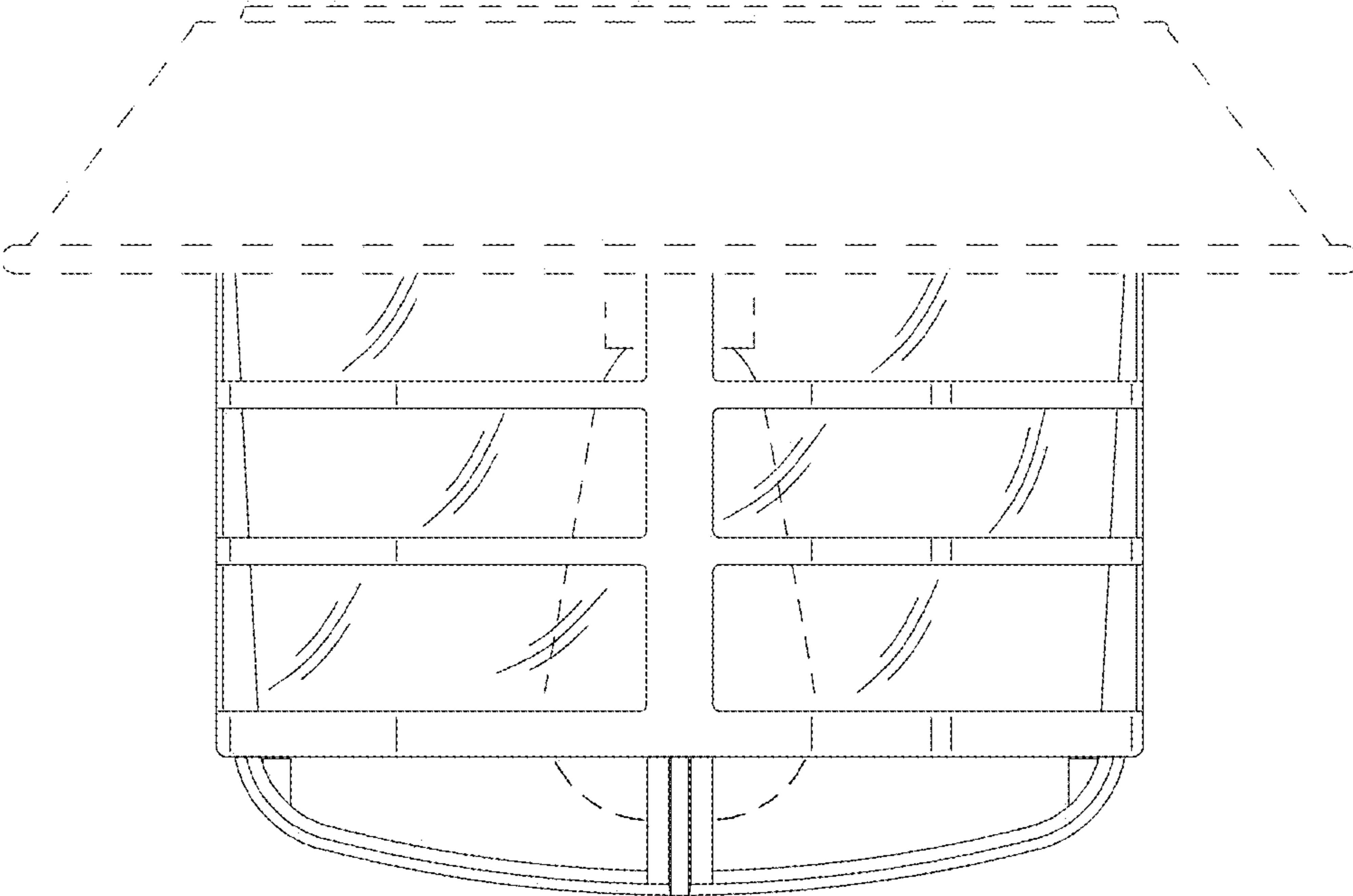


FIG. 5