



US00D941515S

(12) **United States Design Patent**
Xiao et al.

(10) **Patent No.:** **US D941,515 S**
(45) **Date of Patent:** **** Jan. 18, 2022**

(54) **FLASHLIGHT**

(71) Applicant: **Ledlenser GmbH & Co. KG**, Solingen (DE)

(72) Inventors: **Bin Xiao**, Düsseldorf (DE); **André Kunzendorf**, Wuppertal (DE)

(73) Assignee: **LEDLENSER GMBH & CO. KG**, Solingen (DE)

(**) Term: **15 Years**

(21) Appl. No.: **29/714,558**

(22) Filed: **Nov. 25, 2019**

(51) **LOC (13) Cl.** **26-02**

(52) **U.S. Cl.**
USPC **D26/49**

(58) **Field of Classification Search**
USPC D26/37-51
CPC F21L 2003/00; F21L 4/005; F21L 4/025;
F21L 4/027; F21L 4/04; F21L 4/08; F21L
13/00; F21L 13/08; F21L 14/02; F21L
19/00; F21L 2/00; F21L 4/00-4/085;
F21L 15/00-15/14; F21L 2001/00; F21L
2005/00; F21L 25/00

See application file for complete search history.

(56) **References Cited**

U.S. PATENT DOCUMENTS

D558,907 S	*	1/2008	Liu	D26/49
D563,008 S	*	2/2008	Garrity	D26/49
D589,635 S	*	3/2009	Rugendyke	D26/49
D743,600 S	*	11/2015	Robinson	D26/49
D769,494 S	*	10/2016	Bertken	D26/49
D769,495 S	*	10/2016	Bertken	D26/49
D783,193 S	*	4/2017	Kao	D26/49
D802,195 S	*	11/2017	Huang	D26/49
D803,444 S	*	11/2017	Green	D26/49
D823,510 S	*	7/2018	Kunzendorf	D26/49
D828,940 S	*	9/2018	Qiu	D26/49

D861,217 S	*	9/2019	Huang	D26/49
D877,379 S	*	3/2020	Qiu	D26/49
D898,966 S	*	10/2020	Qiu	D26/49

(Continued)

FOREIGN PATENT DOCUMENTS

EM 007295217-0013 * 2/2020

OTHER PUBLICATIONS

Ledlenser P7R Work 1200 Lumens_ Buy Online at Best Price in KSA—Souq is now Amazon.sa <https://www.amazon.sa/-/en/Ledlenser-P7R-Work-1200-Lumens/dp/B08FB7S35R> First Available Nov. 28, 2020 (Year: 2020).*

Primary Examiner — Leanne Was-Englehart

(74) Attorney, Agent, or Firm — Alston & Bird LLP

(57) **CLAIM**

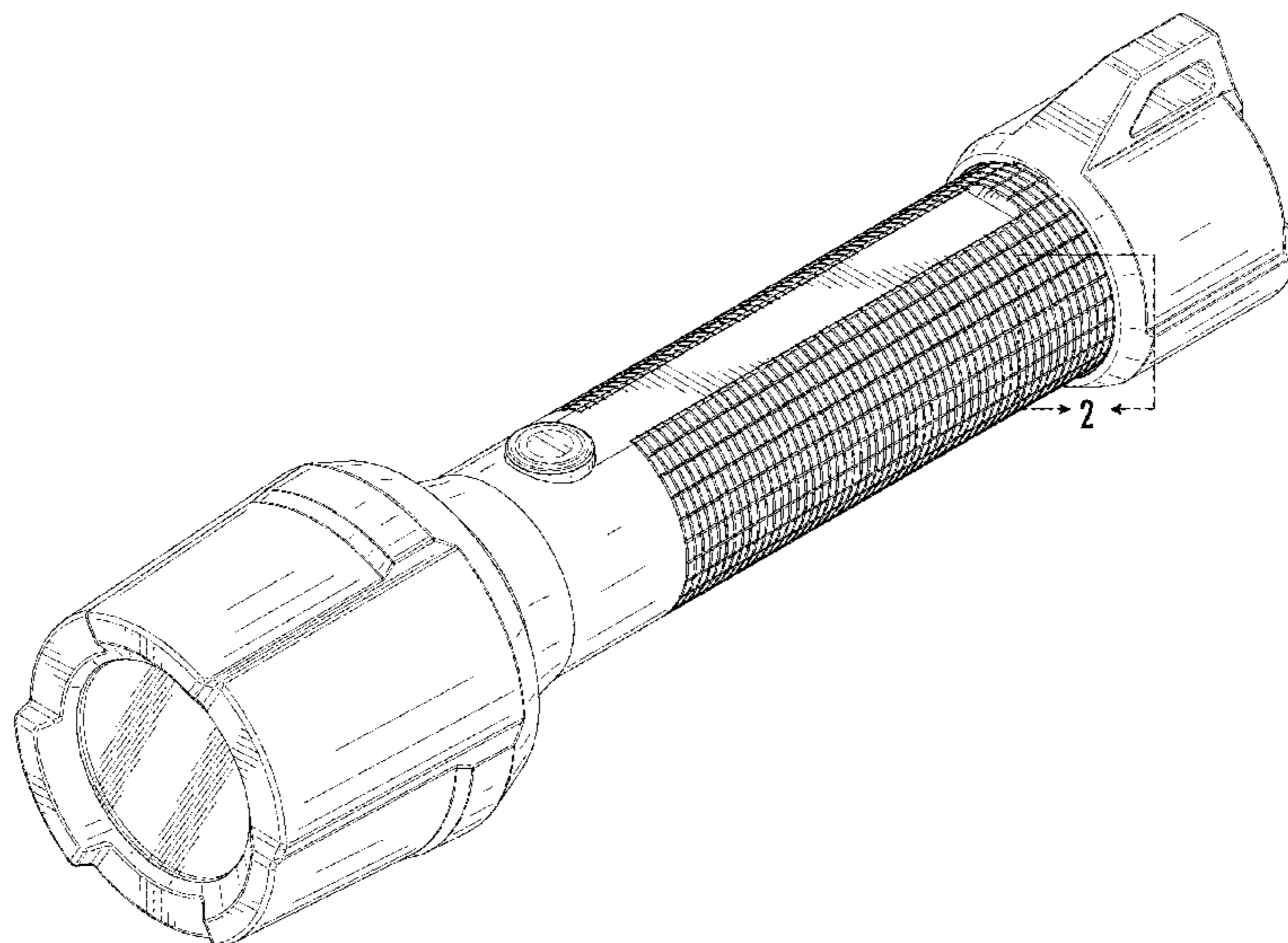
The ornamental design for a flashlight, as shown and described.

DESCRIPTION

FIG. 1 is a perspective view of a flashlight according to our new design including detail frame 2;
FIG. 2 is an enlarged detail view corresponding to detail frame 2 of FIG. 1;
FIG. 3 is a front elevation view thereof;
FIG. 4 is a rear elevation view thereof;
FIG. 5 is a left side elevation view thereof;
FIG. 6 is a right side elevation view thereof including detail frame 7;
FIG. 7 is an enlarged detail view corresponding to detail frame 7 of FIG. 6;
FIG. 8 is a top elevation view thereof; and,
FIG. 9 is a bottom plan view thereof.

The dash-dash lines of FIGS. 4 and 9 depict unclaimed elements of the design and form no part of the claimed design. The dash-dot-dash line squares of FIGS. 1, 2, 6, and 7 depict the limits of the enlarged views and form no part of the claimed design.

1 Claim, 8 Drawing Sheets



(56)

References Cited

U.S. PATENT DOCUMENTS

D899,646 S * 10/2020 Shan D26/49
D899,649 S * 10/2020 Qiu D26/49

* cited by examiner

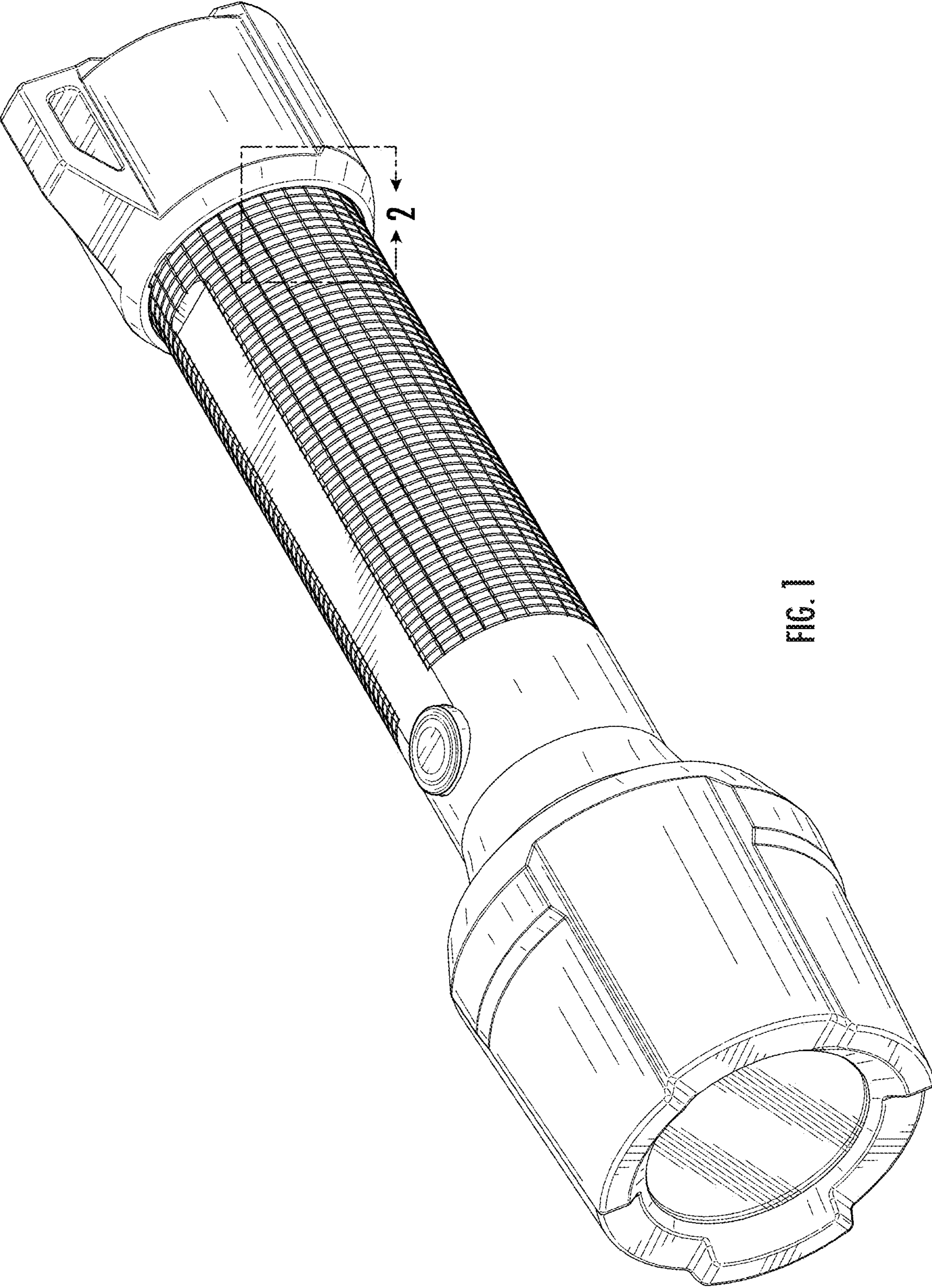


FIG.

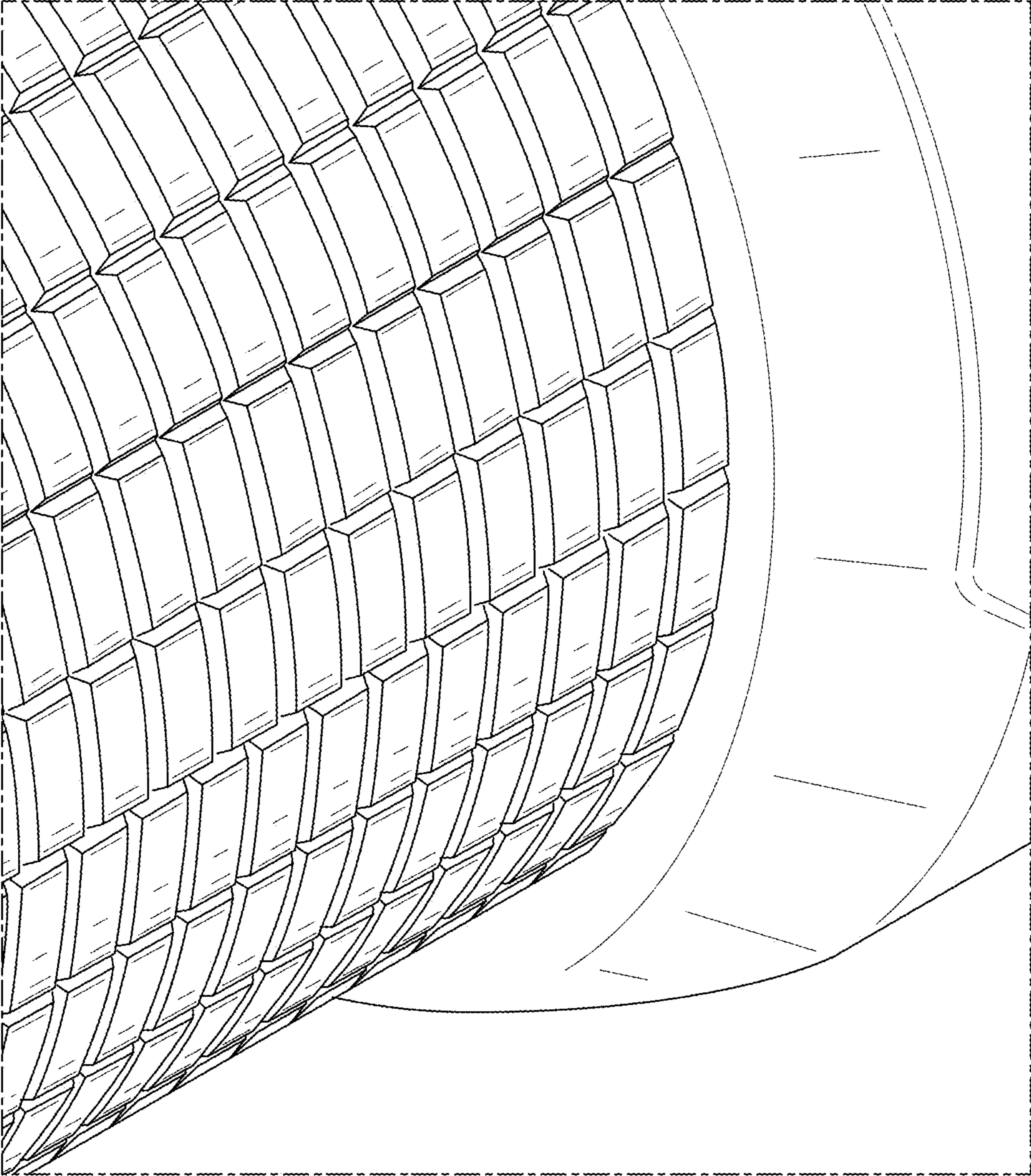


FIG. 2

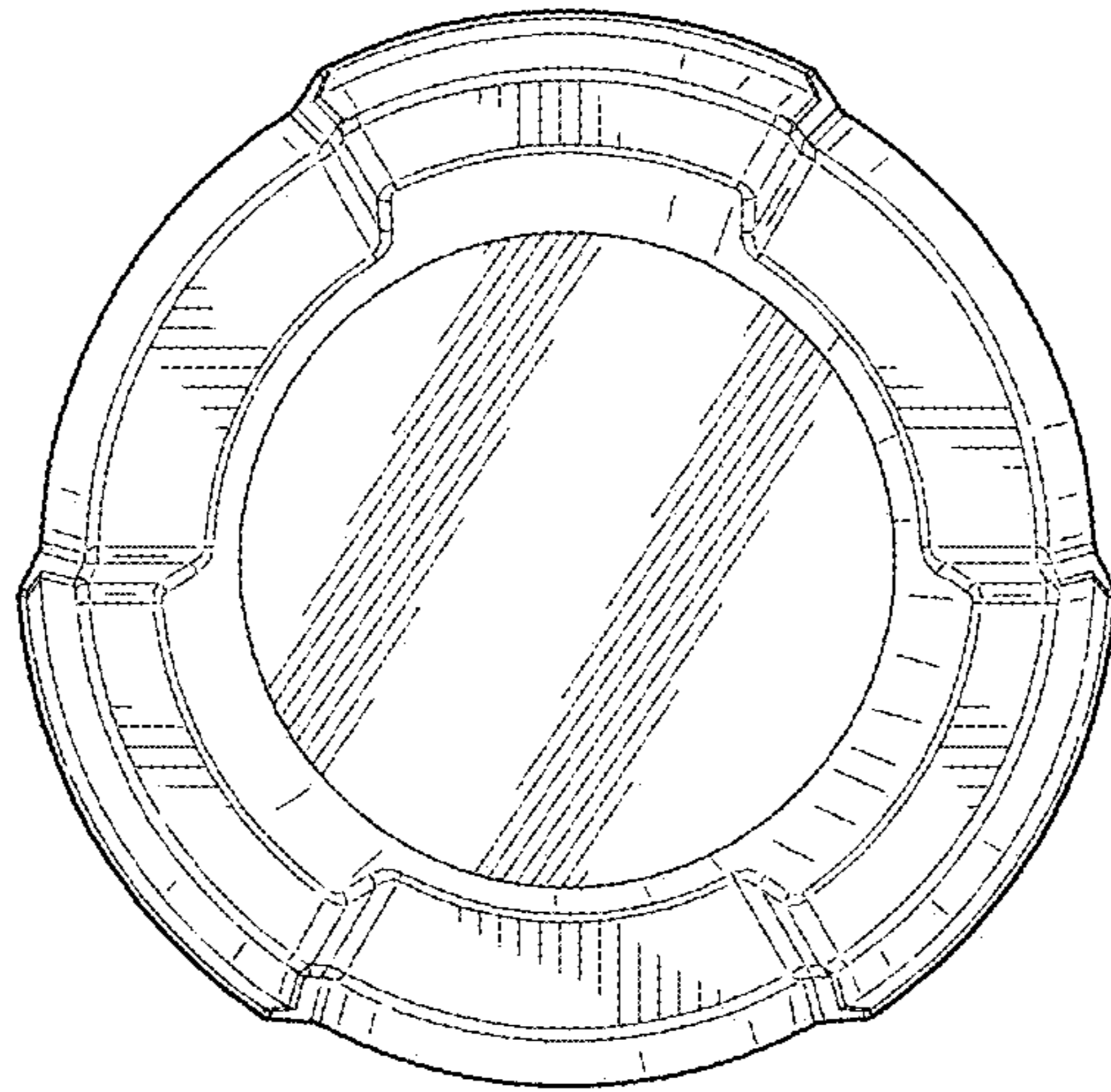


FIG. 3

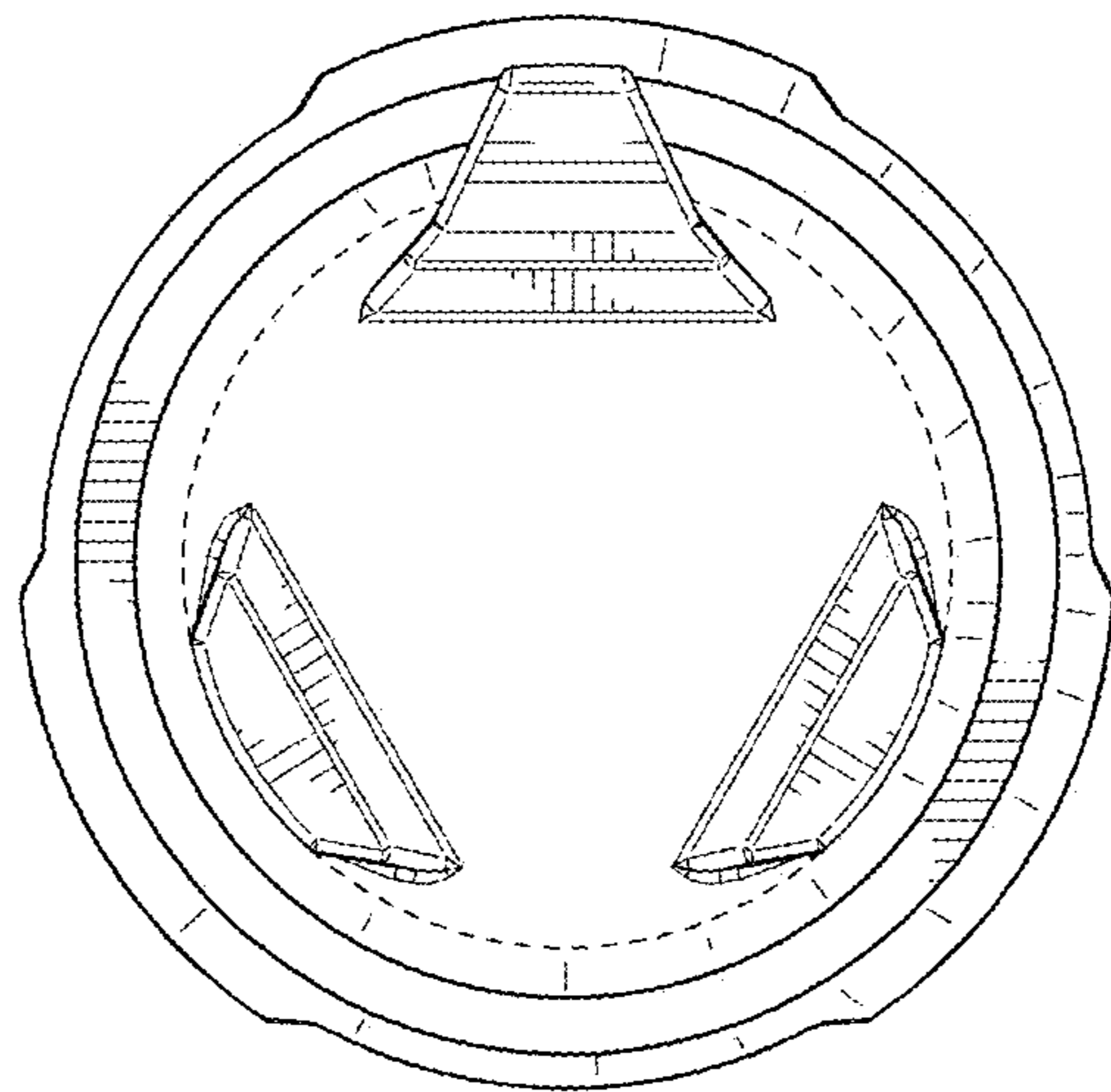


FIG. 4

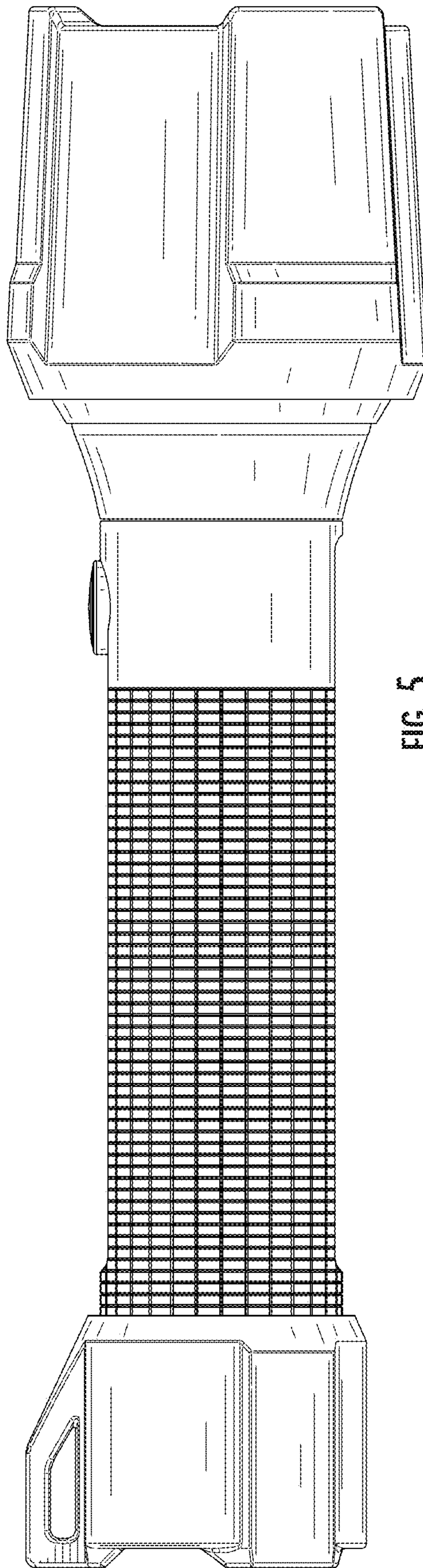


FIG. 5

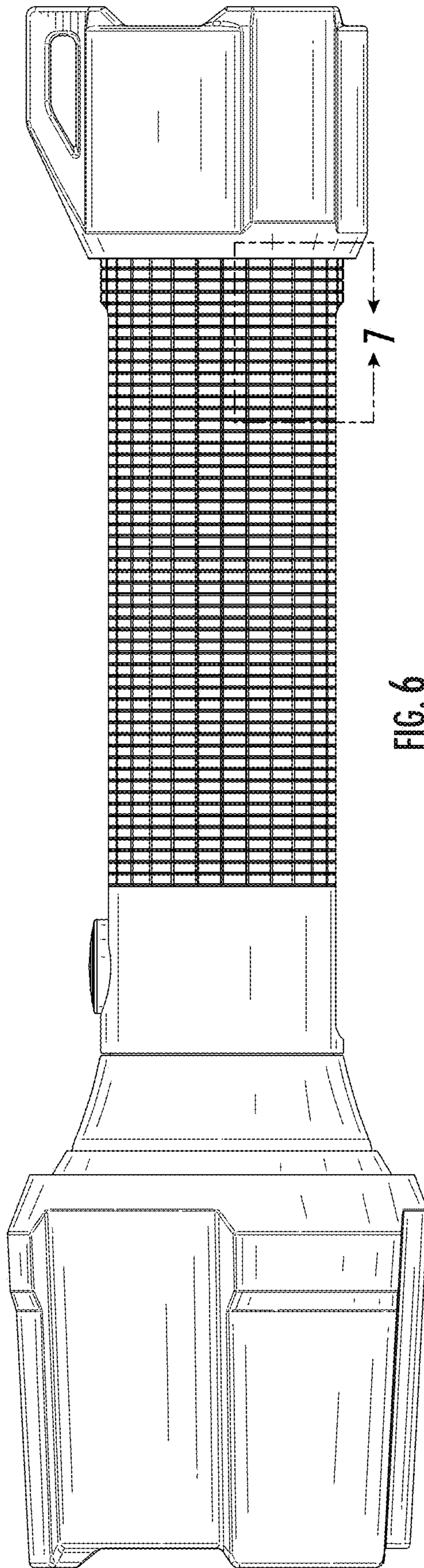


FIG. 6

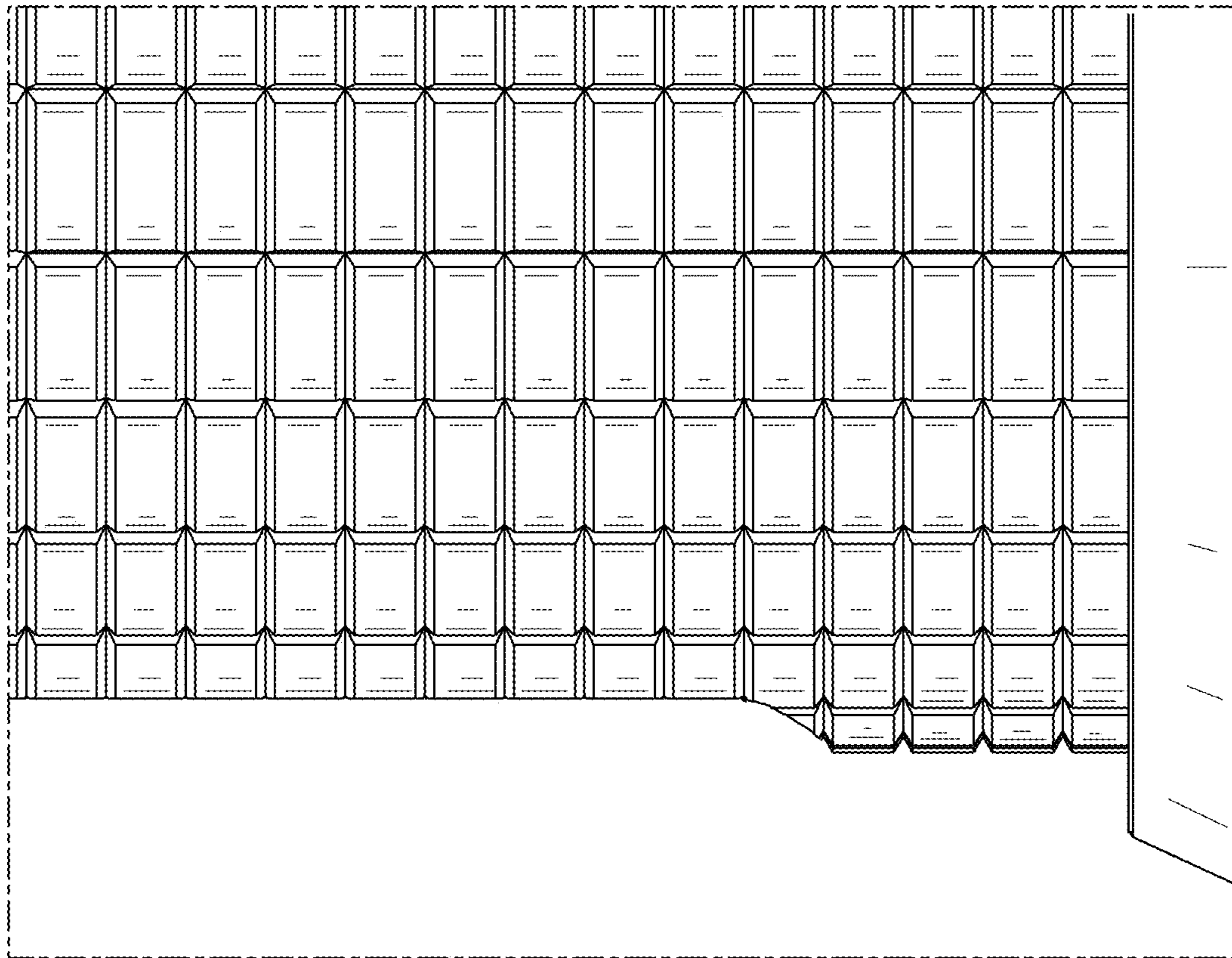


FIG. 7

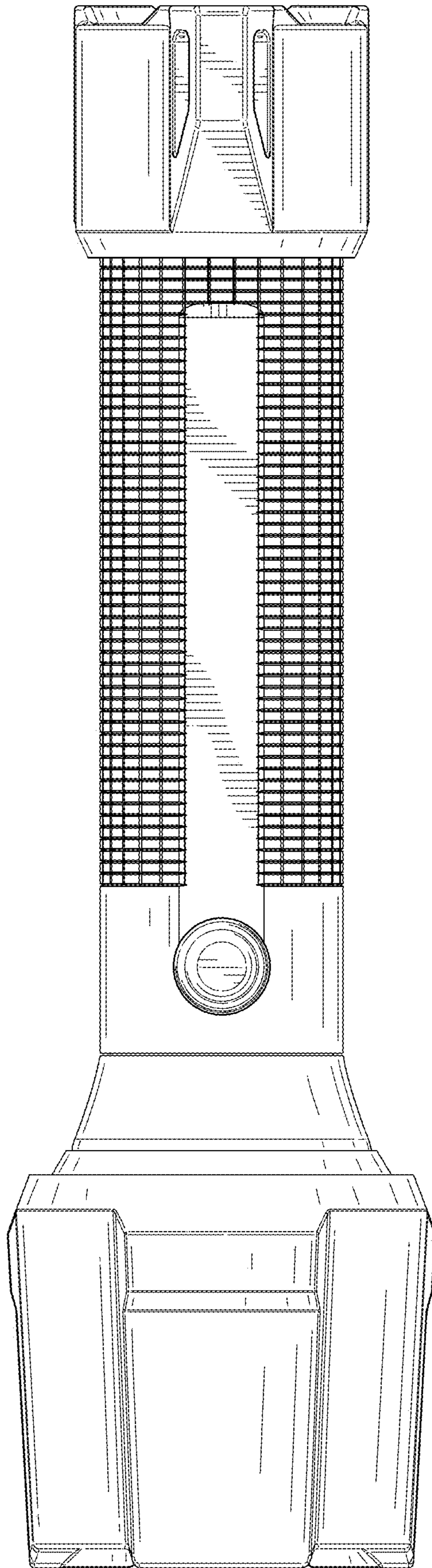


FIG. 8

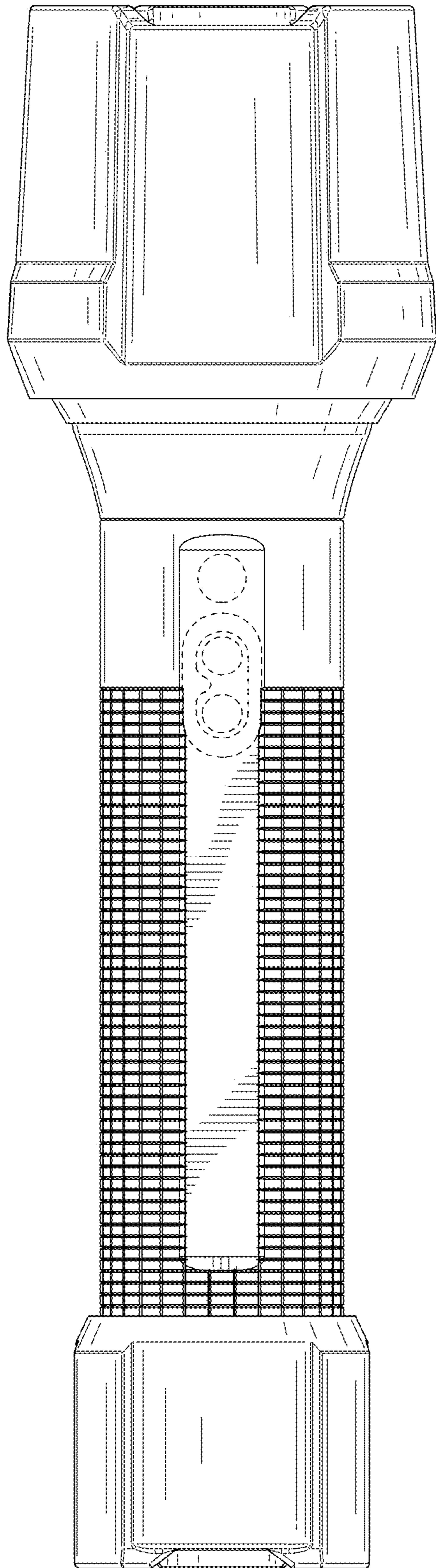


FIG. 9