



US00D941513S

(12) **United States Design Patent** (10) **Patent No.:** **US D941,513 S**
He (45) **Date of Patent:** **** Jan. 18, 2022**

(54) **LIGHT-EMITTING PEN**
(71) Applicant: **SHENZHEN SEABOOM CO., LTD,**
Guangdong (CN)
(72) Inventor: **Xiaoshan He,** Guangdong (CN)
(73) Assignee: **SHENZHEN SEABOOM CO., LTD,**
Shenzhen (CN)
(**) Term: **15 Years**
(21) Appl. No.: **29/695,702**
(22) Filed: **Jun. 21, 2019**

D612,082 S * 3/2010 Chang D26/38
D622,428 S * 8/2010 Crawford D26/37
D634,014 S * 3/2011 Noui D24/176
D638,560 S * 5/2011 Steenstra F21V 21/088
D26/38

(Continued)

FOREIGN PATENT DOCUMENTS

CN 203763675 U * 8/2014 A61N 5/06
CN 302910308 * 8/2014
CN 304223905 * 7/2017
CN 304854156 * 10/2018
CN 305525597 * 12/2019
CN 210101117 U * 2/2020 B43K 29/00

OTHER PUBLICATIONS

“Ultra Bright 250 Lumen LED Pocket Pen,” Apr. 14, 2015, amazon.com, site visited Jul. 26, 2021, URL: https://www.amazon.com/160-Household-Automobile-Replacement-Guarantee/dp/B00W32ZFLC/ref=sr_1_46?dchild=1&keywords=flat+pen+light&qid=1627308148&sr=8-46 (Year: 2015).*

(Continued)

Primary Examiner — Eric L Goodman
Assistant Examiner — Sarah L Smith

(57) **CLAIM**

The ornamental design for a light-emitting pen, as shown and described.

DESCRIPTION

FIG. 1 is a perspective view of a light-emitting pen showing my new design;
FIG. 2 is another perspective view thereof;
FIG. 3 is a front elevation view thereof;
FIG. 4 is a back elevation view thereof;
FIG. 5 is a left side view thereof;
FIG. 6 is a right side view thereof;
FIG. 7 is a top plan view thereof; and,
FIG. 8 is a bottom plan view thereof.

1 Claim, 8 Drawing Sheets

(30) **Foreign Application Priority Data**

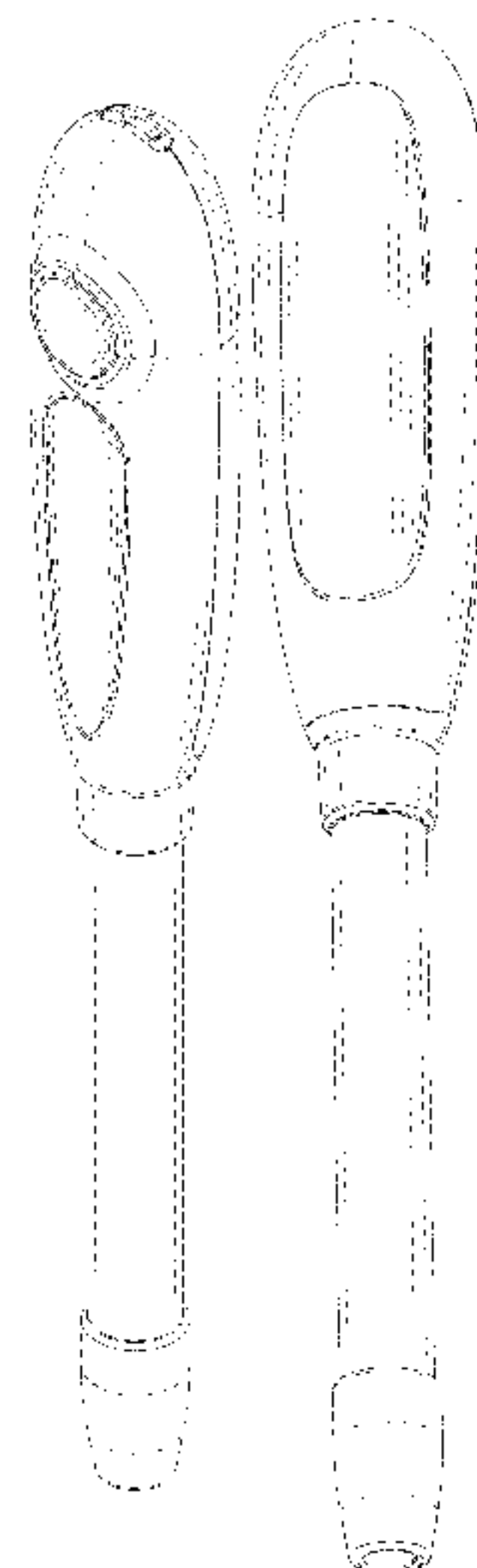
May 31, 2019 (CN) 201930277645.3

(51) **LOC (13) Cl.** **26-02**
(52) **U.S. Cl.**
USPC **D26/46; D26/37**
(58) **Field of Classification Search**
USPC D26/37-44, 46-52; D10/109.1, 111-115;
D19/115, 116, 123, 130
CPC F21V 21/145; F21V 23/0414; F21V 5/006;
F21L 4/005; F21L 4/045; F41B 15/022;
Y10S 362/80
See application file for complete search history.

(56) **References Cited**

U.S. PATENT DOCUMENTS

D288,824 S * 3/1987 Ijiri F21L 4/005
D19/123
4,813,790 A * 3/1989 Frankel G01K 13/20
374/208
D483,784 S * 12/2003 Ting D16/208
D495,000 S * 8/2004 Ijiri D19/164
D495,076 S * 8/2004 Mandel D26/37
6,886,960 B2 * 5/2005 Sharrah F21L 4/005
362/205
D547,893 S * 7/2007 Vice D26/49
D568,313 S * 5/2008 Leung D14/480.3
D609,743 S * 2/2010 Kohn D19/170



(56)

References Cited

U.S. PATENT DOCUMENTS

D673,314 S * 12/2012 Levinger D26/38
D710,445 S * 8/2014 Wu B43L 21/04
D19/130
D715,983 S * 10/2014 Jeong D26/46
D757,850 S * 5/2016 Zhang D19/123
D760,838 S * 7/2016 Wiseman D19/130
D799,087 S * 10/2017 Koshiba D26/49
D818,621 S * 5/2018 Kunzendorf D26/49
2004/0049122 A1 * 3/2004 Lussier G01K 13/25
600/549
2004/0213627 A1 * 10/2004 Marschand B43L 21/04
401/202
2011/0198134 A1 * 8/2011 Chen G06F 3/03542
178/19.05
2020/0121412 A1 * 4/2020 Pathy F21V 21/088

OTHER PUBLICATIONS

“iProven Dt-R1221AWG Medical Thermometer,” Oct. 24, 2017, amazon.com, site visited Jul. 26, 2021, URL: https://www.amazon.com/Digital-Thermometer-Termometro-Accurate-Readings/dp/B07BDMGMLY/ref=sr_1_10?dchild=1&keywords=digital+oral+thermometer&qid=1627308436&sr=8-10 (Year: 2017).*

“6pcs Ballpoint Pen with Electronic Watch,” Jun. 12, 2018, amazon.com, site visited Jul. 26, 2021, URL: <https://www.amazon.com/Ballpoint-Electronic-Examing-Writing-Stationery/dp/B07DPJ4P6Z?th=1> (Year: 2018).*

* cited by examiner

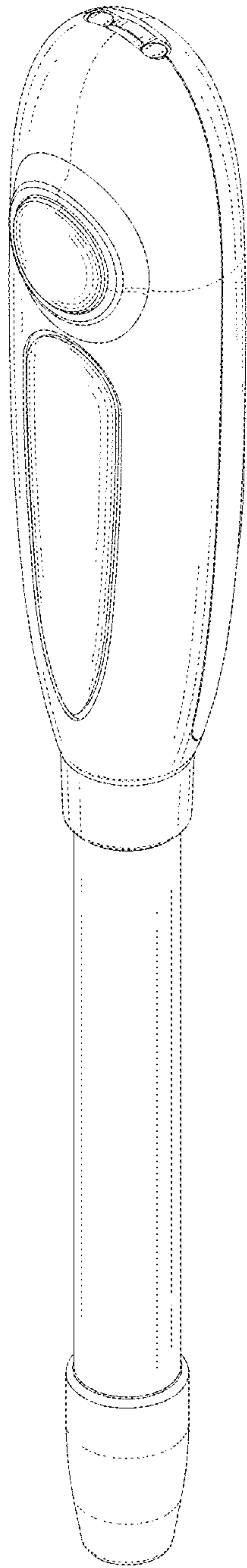


FIG. 1

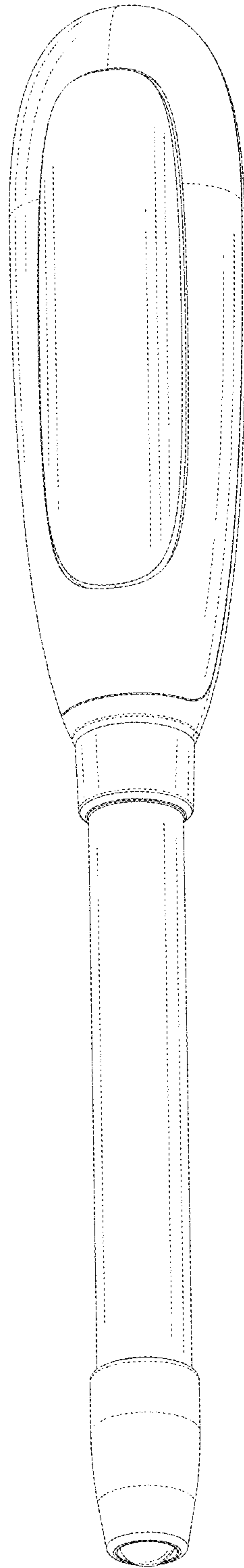


FIG. 2

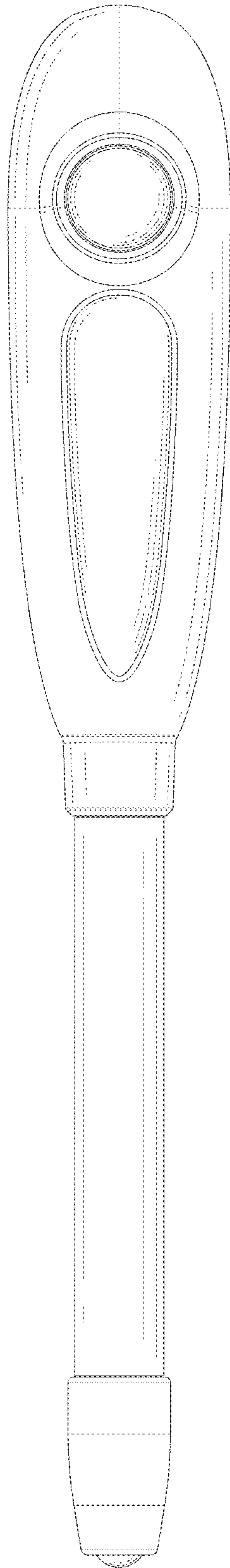


FIG. 3

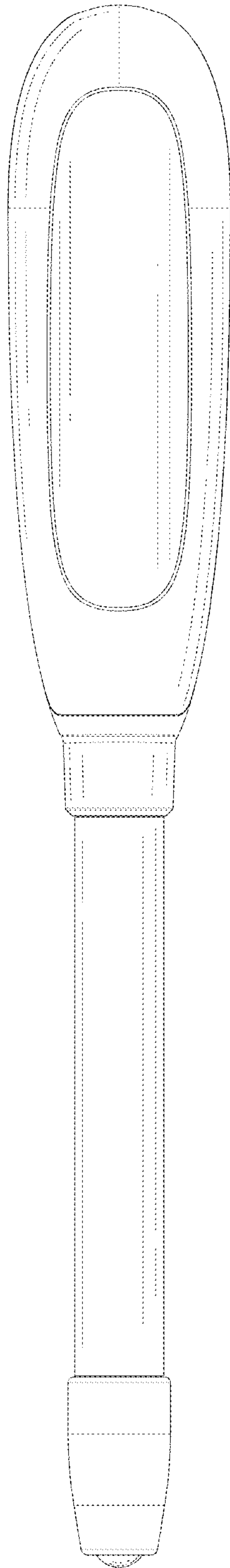


FIG. 4

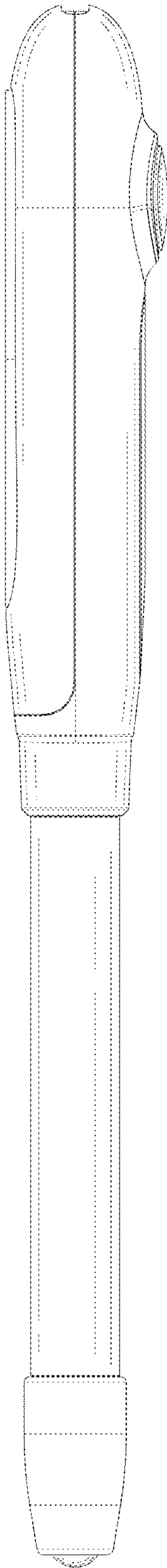


FIG. 5

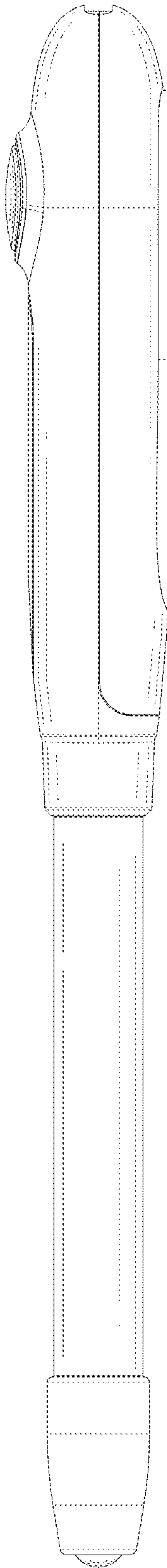


FIG. 6

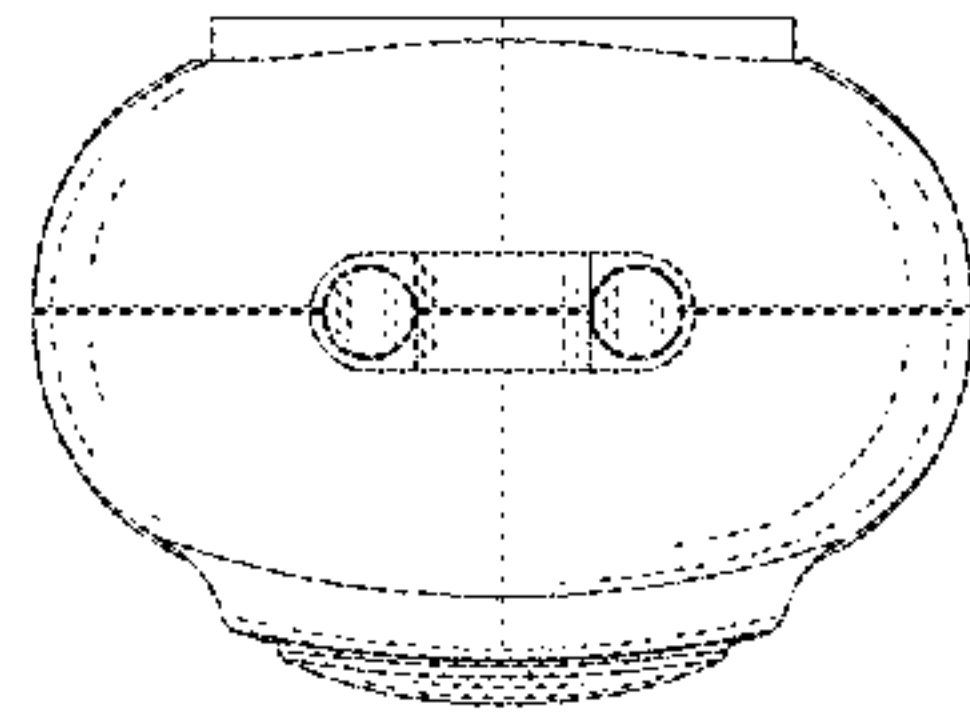


FIG. 7

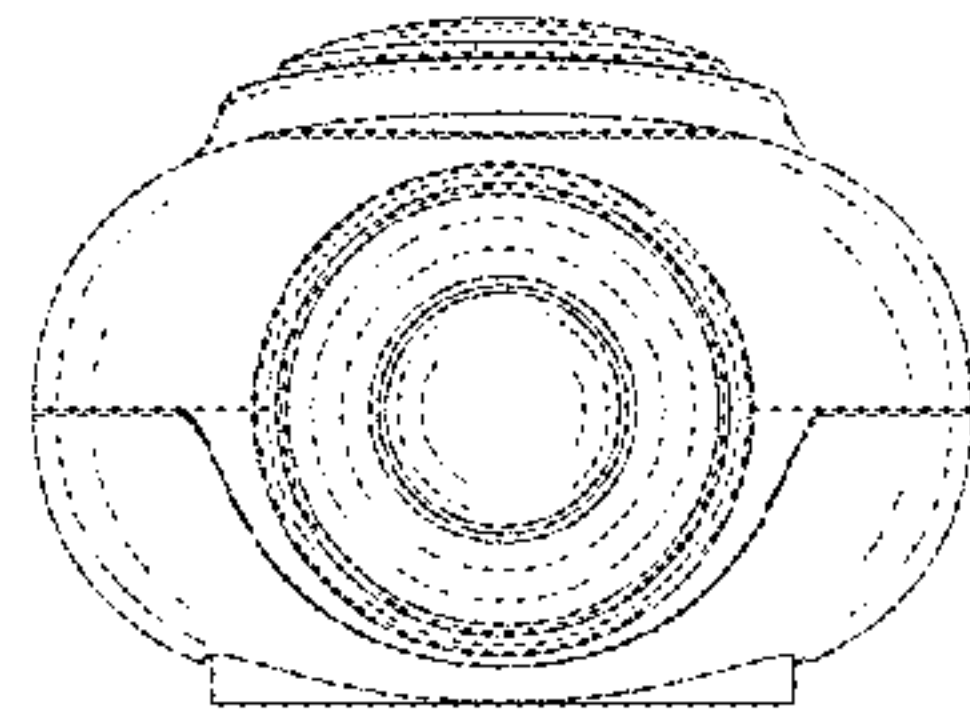


FIG. 8