



US00D941512S

(12) **United States Design Patent** (10) **Patent No.:** **US D941,512 S**
Saboo (45) **Date of Patent:** **** Jan. 18, 2022**

(54) **FLASHLIGHT WITH AN ELECTRONIC INSECT REPELLENT**

FOREIGN PATENT DOCUMENTS

(71) Applicant: **West Coast Imports, Inc.**, Commerce, CA (US)

CN 304152418 * 5/2017
EM 000831268-0001 * 2/2008
EM 002753012-0002 * 2/2015

(72) Inventor: **Vinay Saboo**, Commerce, CA (US)

OTHER PUBLICATIONS

(73) Assignee: **WEST COAST IMPORTS, INC.**, Commerce, CA (US)

“GLOUE Bug Zapper Light,” Jun. 10, 2019 (Q&A), amazon.com, site visited Jun. 16, 2021, URL: https://www.amazon.com/GLOUE-Zapper-Mosquito-Killer-Electronic/dp/B07RPLZYJD/ref=sr_1_10?dchild=1&keywords=Patio%2C+Lawn+%26+Garden+Insect+Zappers+Mosquito+Killer+Lamp+Bug+Zapper&qid=1623870983&s=lawn-garde (Year: 2019).*

(**) Term: **15 Years**

(21) Appl. No.: **29/800,831**

(22) Filed: **Jul. 23, 2021**

(Continued)

Related U.S. Application Data

(62) Division of application No. 29/694,652, filed on Jun. 12, 2019, now Pat. No. Des. 929,628.

Primary Examiner — Eric L Goodman

Assistant Examiner — Sarah L Smith

(51) **LOC (13) Cl.** **26-02**

(74) *Attorney, Agent, or Firm* — Tarter Krinsky & Drogin LLP

(52) **U.S. Cl.**
USPC **D26/38**

(57) **CLAIM**

(58) **Field of Classification Search**
USPC D26/37–44, 46–52; D10/111–115
CPC ... F21Y 2115/10; F21Y 2113/13; F21L 4/027;
F21L 4/025; F21L 4/085; F21V 23/0414;
F21V 9/083

The ornamental design for a flashlight with an electronic insect repellent, as shown and described.

See application file for complete search history.

DESCRIPTION

(56) **References Cited**

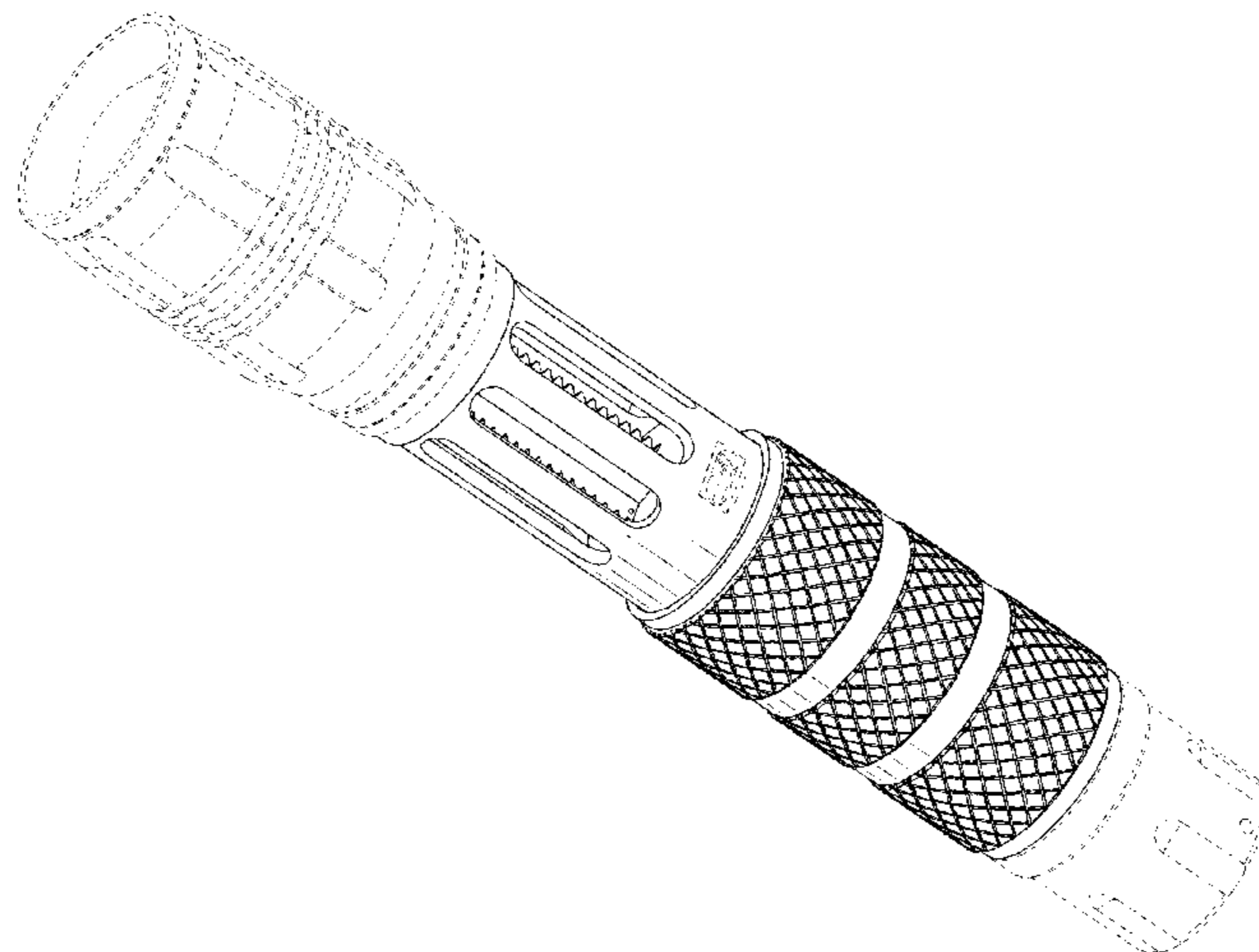
U.S. PATENT DOCUMENTS

D455,513 S * 4/2002 Galli D26/49
D501,054 S * 1/2005 Galli D26/37
D565,220 S * 3/2008 Galli D26/49
D601,737 S * 10/2009 Swan D26/49
D606,220 S * 12/2009 Kim D26/46
D606,686 S * 12/2009 Kim D26/46
D606,687 S * 12/2009 Kim H01M 50/213
D26/46
D619,284 S * 7/2010 Kim D26/49
7,784,963 B2 * 8/2010 Galli F41G 1/35
362/184

FIG. 1 is a perspective view of a flashlight with an electronic insect repellent;
FIG. 2 is a front view thereof;
FIG. 3 is a first side view thereof;
FIG. 4 is a rear view thereof;
FIG. 5 is a second side view thereof;
FIG. 6 is a bottom view thereof;
FIG. 7 is a top view thereof; and,
FIG. 8 is a perspective view of a lower portion covering an electronic insect repellent portion of the flashlight.
The broken lines shown in the figures show portions of the flashlight that form no part of the claimed design.

(Continued)

1 Claim, 5 Drawing Sheets



(56)

References Cited

U.S. PATENT DOCUMENTS

8,567,556 B2 * 10/2013 Dueck F41A 21/325
 181/223
 D709,233 S * 7/2014 Inskip D26/49
 8,973,481 B2 * 3/2015 Dueck F41A 21/325
 89/14.4
 D754,899 S * 4/2016 Cooper F41A 21/325
 D26/49
 D774,230 S * 12/2016 Prieto D26/49
 D780,356 S * 2/2017 Nguyen D26/49
 D804,696 S * 12/2017 Cheng D26/49
 D811,636 S * 2/2018 Galli D26/49
 D832,390 S * 10/2018 Geissele D22/108
 D885,626 S * 5/2020 Inskip D26/49
 D922,642 S * 6/2021 Hu D26/49
 D925,798 S * 7/2021 Sheikh F21L 4/00
 D26/51
 D928,371 S * 8/2021 Le D26/49

2003/0147239 A1 * 8/2003 Galli F21V 23/0414
 362/205
 2004/0105258 A1 * 6/2004 Galli G02F 1/1339
 362/205
 2012/0033416 A1 * 2/2012 Ballard H01M 50/213
 362/202
 2016/0013675 A1 * 1/2016 Workman H02J 7/35
 320/101
 2017/0067605 A1 * 3/2017 Kuo F21L 4/085
 2020/0390078 A1 * 12/2020 Saboo A01M 1/223

OTHER PUBLICATIONS

https://www.amazon.com/Millennials-Outdoors-Electronic-Mosquito-Outdoor/dp/B07QS343L6/ref=pd_di_sccai_4/142-1907619-3348727?pd_rd_w=msC2W&pf_rd_p=c9443270-b914-4430-a90b-72e3e7e784e0&pf_rd_r=NVY86QZY1EM6EWQEG3B&pd_rd_r=aeb9f7e8-f9b4-473a-9903-5fc8a0e6360e&pd_rd_wg=zRQbd&pd_rd_i=B07QS343L6&pssc=1 (Year: 2019).*

* cited by examiner

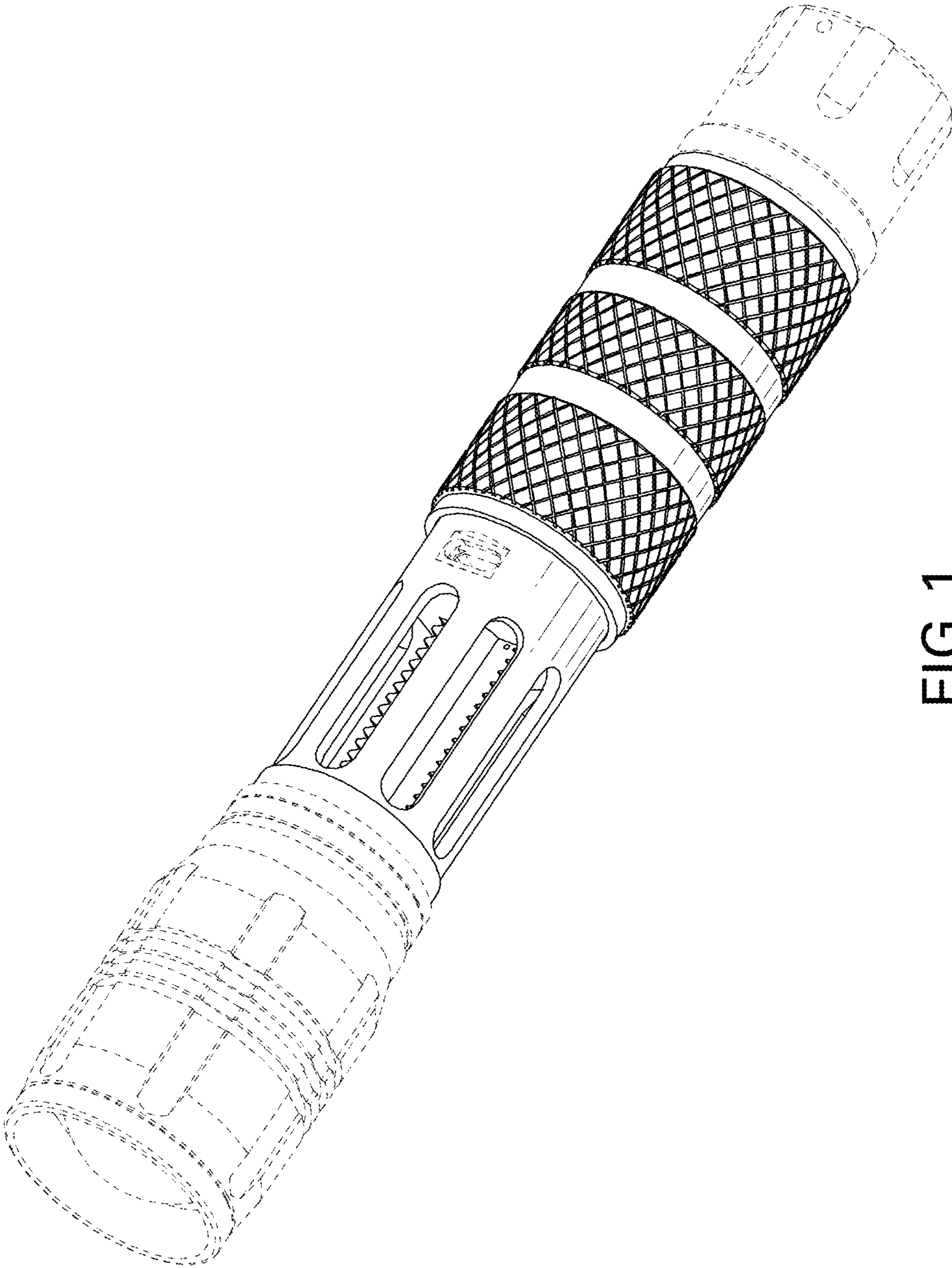


FIG. 1

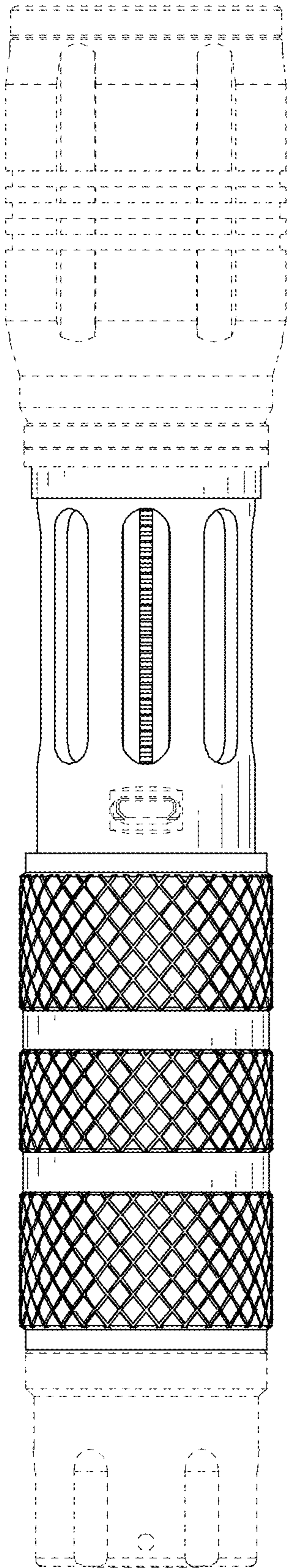


FIG. 2

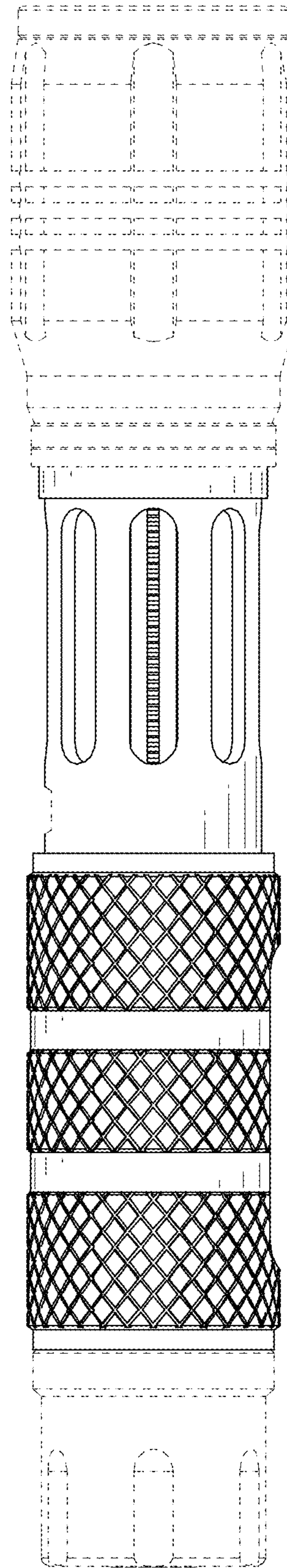


FIG. 3

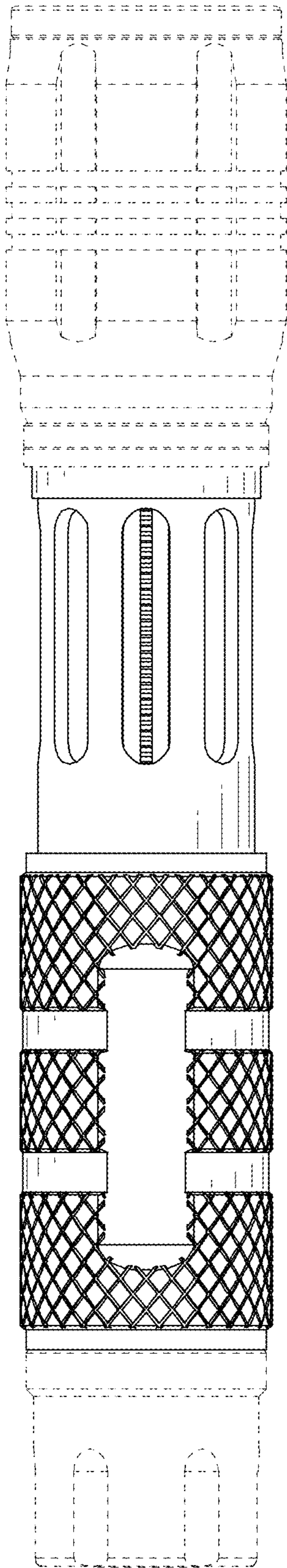


FIG. 4

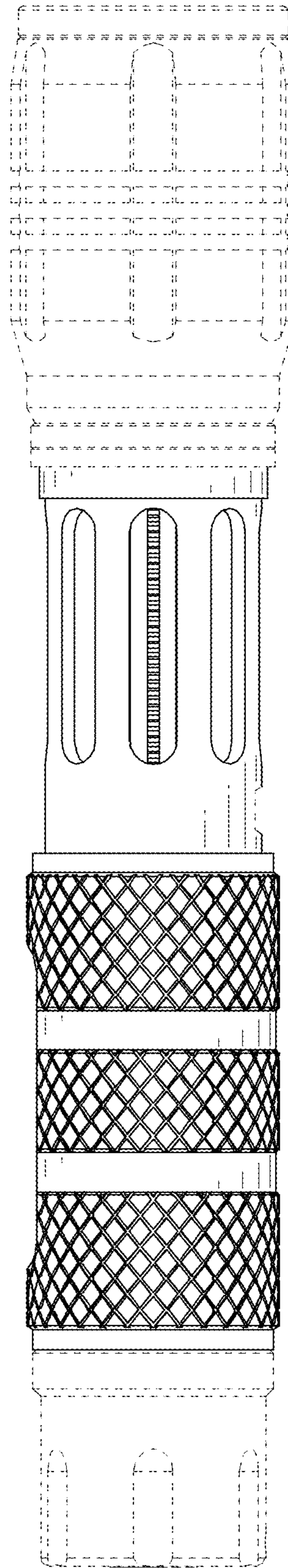


FIG. 5

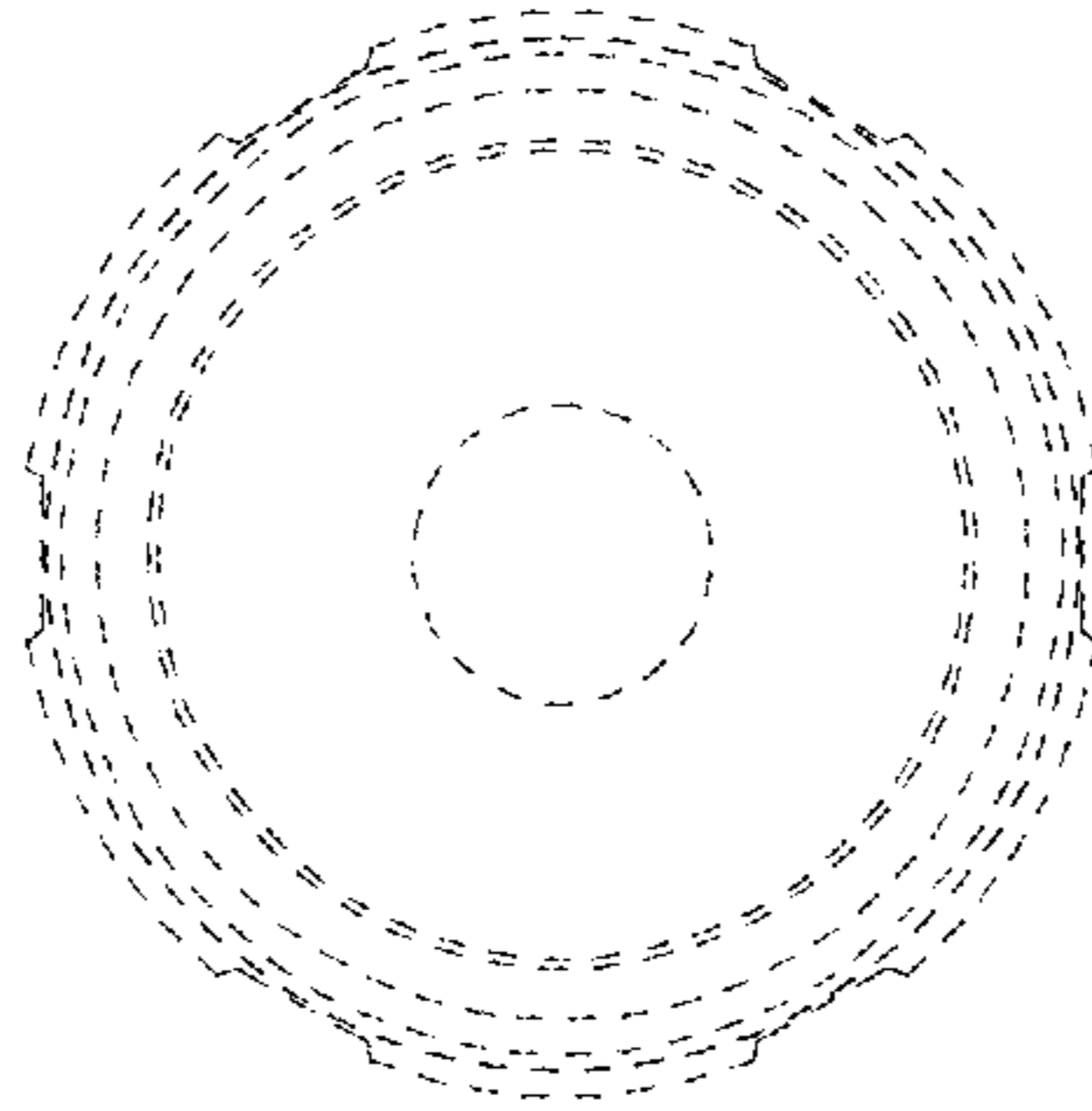


FIG. 7

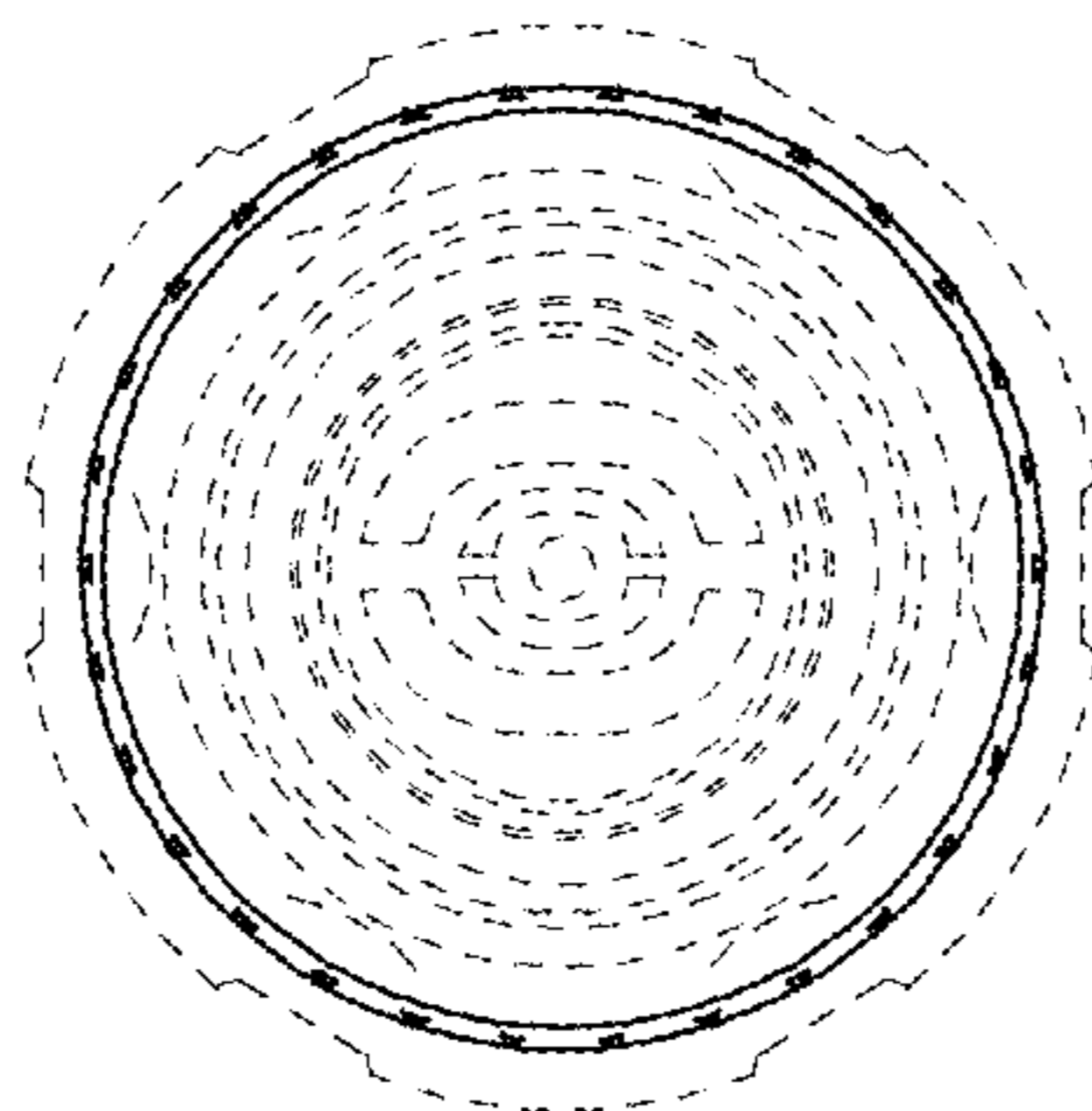


FIG. 6

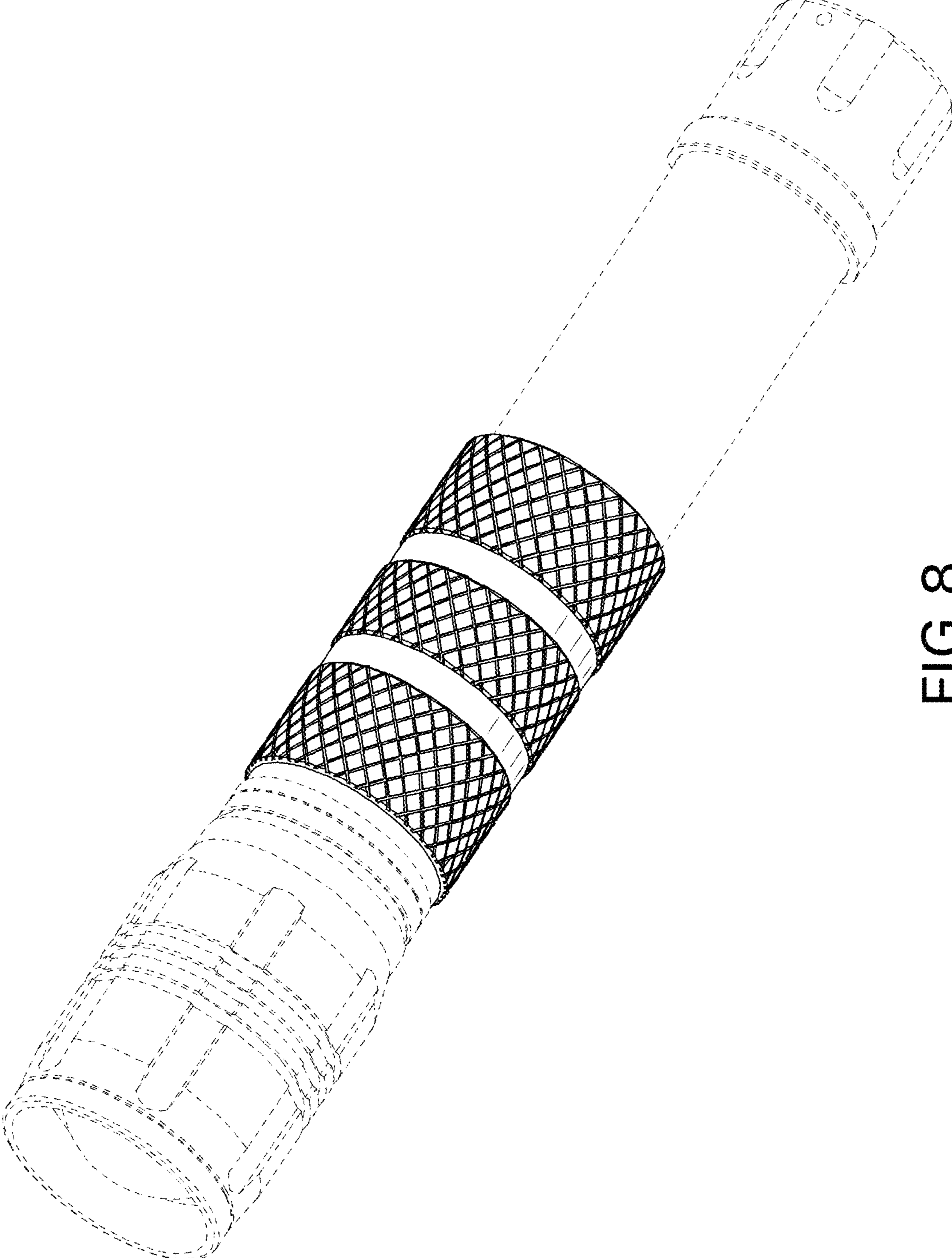


FIG. 8