



US00D941511S

(12) **United States Design Patent** (10) **Patent No.:** **US D941,511 S**
Li (45) **Date of Patent:** **** Jan. 18, 2022**

(54) **FLASHLIGHT ASSEMBLY**

(71) Applicant: **SYSMAX INNOVATIONS CO., LTD.**,
Guangdong (CN)

(72) Inventor: **Wenjie Li**, Guangdong (CN)

(73) Assignee: **SYSMAX INNOVATIONS CO., LTD.**,
Guangzhou (CN)

(**) Term: **15 Years**

(21) Appl. No.: **29/707,731**

(22) Filed: **Sep. 30, 2019**

(51) **LOC (13) Cl.** **26-02**

(52) **U.S. Cl.**
USPC **D26/37**

(58) **Field of Classification Search**
USPC D26/37-44, 46-52; D10/111-115
(Continued)

(56) **References Cited**

U.S. PATENT DOCUMENTS

D50,665 S * 4/1917 Poehlmann F21V 23/0428
D10/121
D64,355 S * 4/1924 Karlson F21L 4/005
D10/109.1

(Continued)

FOREIGN PATENT DOCUMENTS

CN 302113453 * 10/2012
CN 302270854 * 1/2013

(Continued)

OTHER PUBLICATIONS

“Armytek Wizard C2 Pro,” Nov. 8, 2013, amazon.com, site visited
Jun. 24, 2021, URL: <https://www.amazon.com/Magnetic-Rechargeable-Headlamp-LumenTac-Organizer/dp/B06ZZNW7Z8> (Year: 2013).*

(Continued)

Primary Examiner — Eric L Goodman

Assistant Examiner — Sarah L Smith

(74) *Attorney, Agent, or Firm* — Innovation Capital Law
Group, LLP; Vic Lin

(57) **CLAIM**

The ornamental design for a flashlight assembly, as shown
and described.

DESCRIPTION

FIG. 1 is a right elevation view of a first flashlight;
FIG. 2 is a left elevation view of the first flashlight;
FIG. 3 is a rear elevation view of the first flashlight;
FIG. 4 is a front elevation view of the first flashlight;
FIG. 5 is a top plan view of the first flashlight;
FIG. 6 is a bottom plan view of the first flashlight;
FIG. 7 is a front perspective view of the first flashlight;
FIG. 8 is a rear perspective view of the first flashlight;
FIG. 9 is a front elevation view of a clip;
FIG. 10 is a rear elevation view of the clip;
FIG. 11 is a right elevation view of the clip;
FIG. 12 is a left elevation view of the clip;
FIG. 13 is a top plan view of the clip;
FIG. 14 is a bottom plan view of the clip;
FIG. 15 is a perspective view of the clip;
FIG. 16 is a front elevation view of a guard;
FIG. 17 is a rear elevation view of the guard;
FIG. 18 is a bottom plan view of the guard;
FIG. 19 is a top plan view of the guard;
FIG. 20 is a right elevation view of the guard;
FIG. 21 is a left elevation view of the guard;
FIG. 22 is a rear perspective view of the guard;
FIG. 23 is a front perspective view of the guard;
FIG. 24 is a top plan view of a first flashlight assembly
comprising the first flashlight, the clip, and the guard;
FIG. 25 is a bottom plan view of the first flashlight assembly;
FIG. 26 is rear elevation view of the first flashlight assem-
bly;
FIG. 27 is a front elevation view of the first flashlight
assembly;

(Continued)

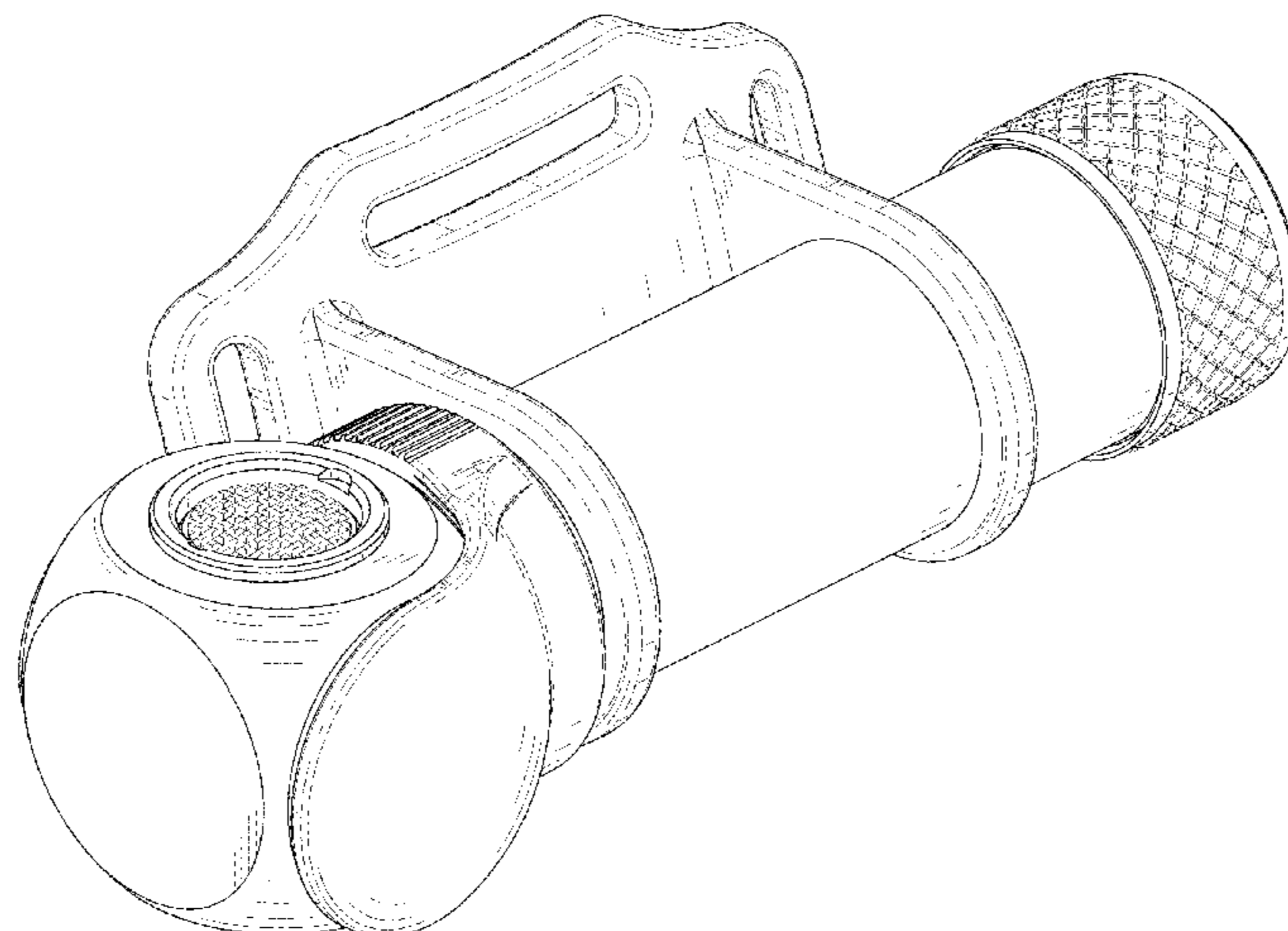


FIG. 28 is a left elevation view of the first flashlight assembly;
 FIG. 29 is a right elevation view of the first flashlight assembly;
 FIG. 30 is a front perspective view of the first flashlight assembly;
 FIG. 31 is a rear perspective view of the first flashlight assembly;
 FIG. 32 is a right elevation view of a second flashlight;
 FIG. 33 is a left elevation view of the second flashlight;
 FIG. 34 is a rear elevation view of the second flashlight;
 FIG. 35 is a front elevation view of the second flashlight;
 FIG. 36 is a top plan view of the second flashlight;
 FIG. 37 is a bottom plan view of the second flashlight;
 FIG. 38 is a front perspective view of the second flashlight;
 FIG. 39 is a rear perspective view of the second flashlight;
 FIG. 40 is a top plan view of a second flashlight assembly comprising the second flashlight, the clip, and the guard;
 FIG. 41 is a bottom plan view of the second flashlight assembly;
 FIG. 42 is rear elevation view of the second flashlight assembly;
 FIG. 43 is a front elevation view of the second flashlight assembly;
 FIG. 44 is a left elevation view of the second flashlight assembly;
 FIG. 45 is a right elevation view of the second flashlight assembly;
 FIG. 46 is a front perspective view of the second flashlight assembly; and,
 FIG. 47 is a rear perspective view of the second flashlight assembly.

The claim is directed to the collective appearance of the assembly shown in FIGS. 24-31 (which includes the components of FIGS. 1-23) and the assembly shown in FIGS. 40-47 (which includes the components of FIGS. 9-23 and FIGS. 32-39).

1 Claim, 47 Drawing Sheets

(58) **Field of Classification Search**

CPC .. F21V 21/0885; F21V 7/0075; F21V 13/045;
 F21V 14/065; F21V 9/083
 See application file for complete search history.

(56)

References Cited

U.S. PATENT DOCUMENTS

D70,236	S *	5/1926	Meden	F21L 4/005
				D10/111
4,817,153	A *	3/1989	Fernandez	H04R 1/08
				381/111
D324,049	S *	2/1992	Endo	D14/228
D398,550	S *	9/1998	Plitman	D10/111
5,993,022	A *	11/1999	Neyer	F21L 4/04
				362/199
D430,232	S *	8/2000	She	D14/225
7,040,783	B1 *	5/2006	Christianson	F21L 4/04
				362/186
D549,209	S *	8/2007	Bauman	D14/155
D647,082	S *	10/2011	Rawson	D14/228
D681,858	S *	5/2013	Sharrah	D26/49
D767,184	S *	9/2016	Fitch	D26/44
10,670,201	B1 *	6/2020	Noble	F21L 4/005
2003/0085366	A1 *	5/2003	Shanley	F21L 14/02
				250/492.22
2008/0266833	A1 *	10/2008	Thomas	F21V 33/008
				362/84
2012/0182723	A1 *	7/2012	Sharrah	F21L 4/005
				362/157
2012/0182727	A1 *	7/2012	Sharrah	F21V 21/0885
				362/190
2018/0335199	A1 *	11/2018	Simms	F21L 4/005
2021/0071825	A1 *	3/2021	Li	F21V 23/0428

FOREIGN PATENT DOCUMENTS

CN	304250639	*	8/2017	
CN	210717042	U *	6/2020 F21L 4/027
MX	35654-0001	*	3/2012	

OTHER PUBLICATIONS

“Energizer Pivot Plus LED Flashlight,” Apr. 23, 2016, amazon.com, site visited Jun. 14, 2021, URL: <https://www.amazon.com/Energizer-Professional-PivotPlus-Batteries-Included/dp/B01EOK5BF0> (Year: 2016).*

“Premium Bundle: Nitecore HC33 1800,” Oct. 17, 2017, amazon.com, site visited Jul. 6, 2021, URL: https://www.amazon.com/Premium-Bundle-Performance-Versatile-Rechargeable/dp/B076HW4M8J/ref=sr_1_32?dchild=1&keywords=nitecore&qid=1625597144&sr=8-32 (Year: 2017).*

“Re: The right angle flashlight thread,” Apr. 28, 2017, candlepowerforums.com, site visited Jul. 6, 2021, URL: <https://www.candlepowerforums.com/vb/showthread.php?433194-The-right-angle-flashlight-thread> (Year: 2017).*

* cited by examiner

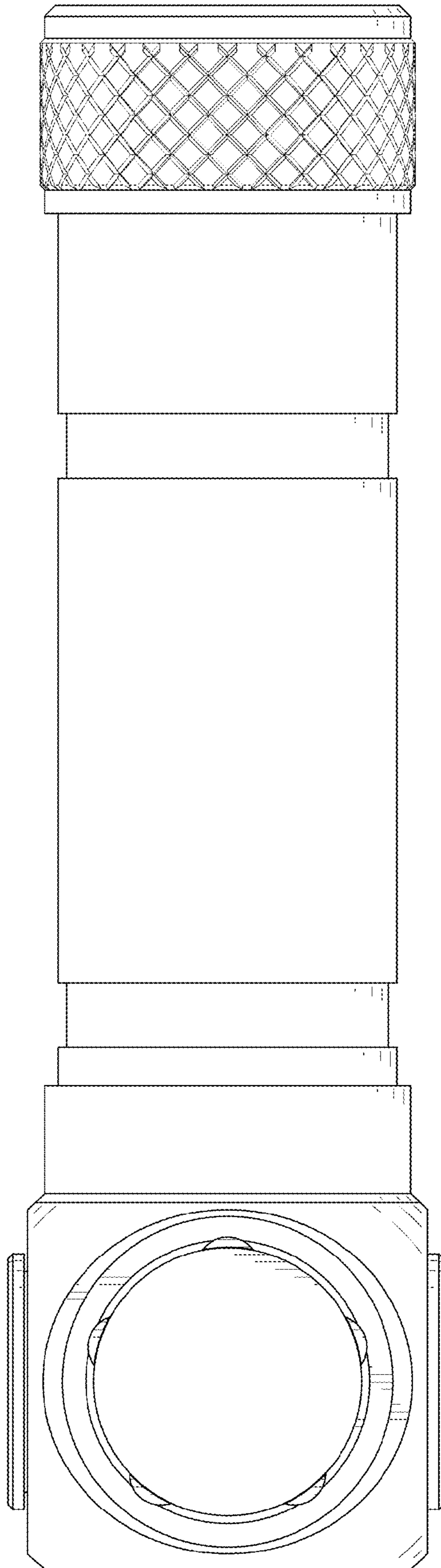


FIG. 1

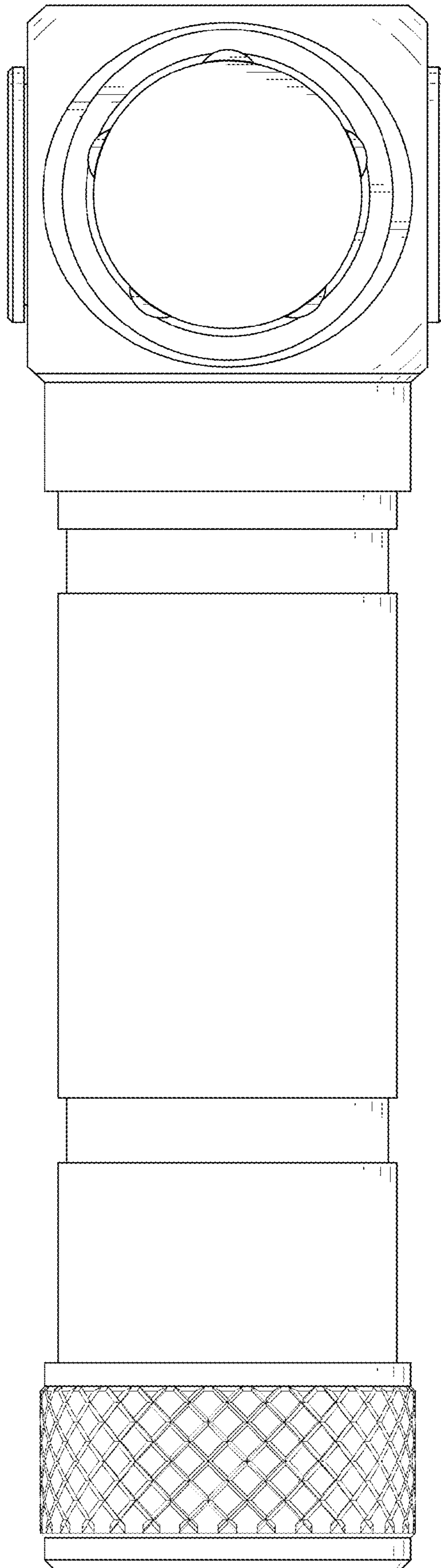


FIG. 2

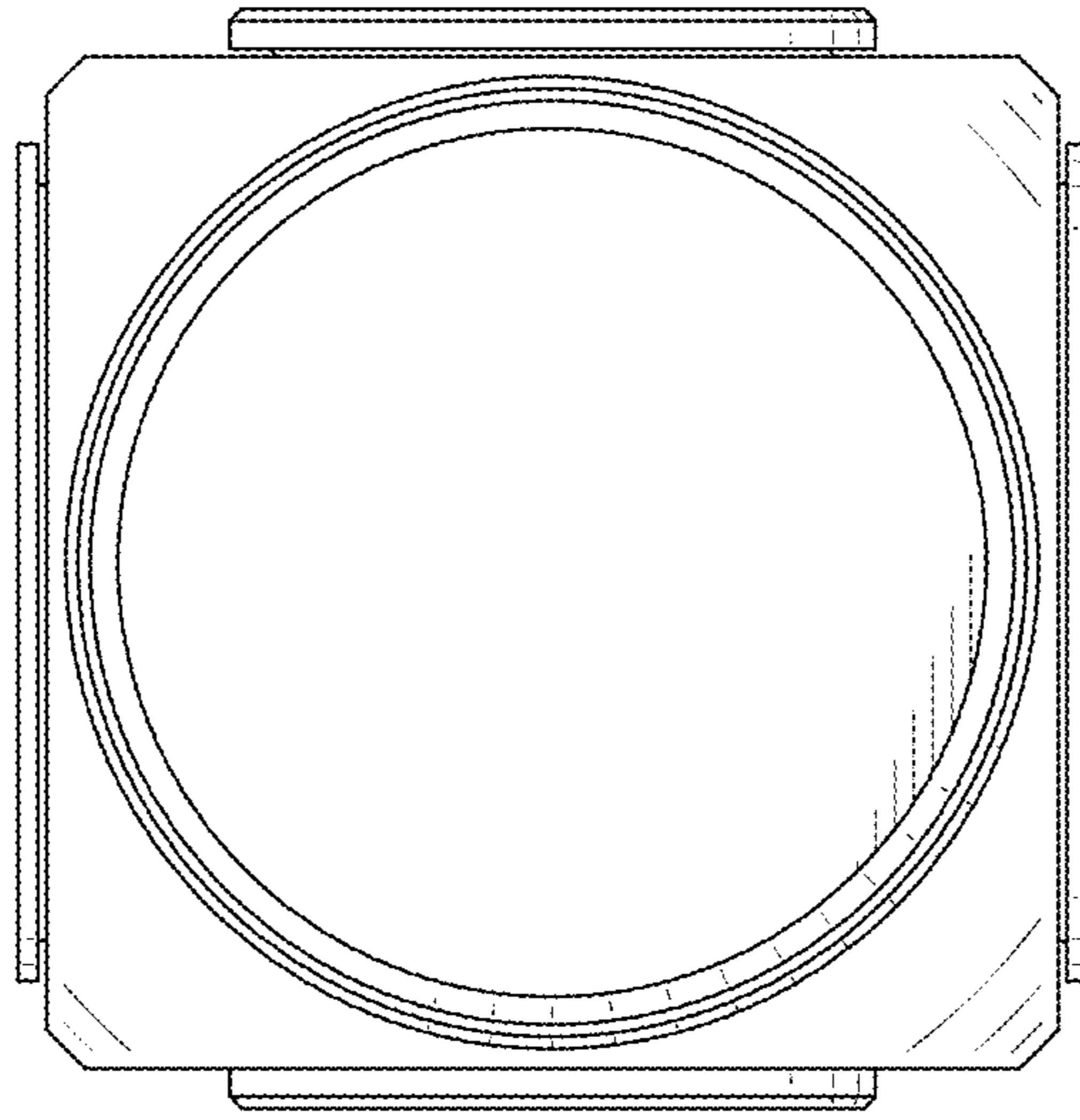


FIG. 3

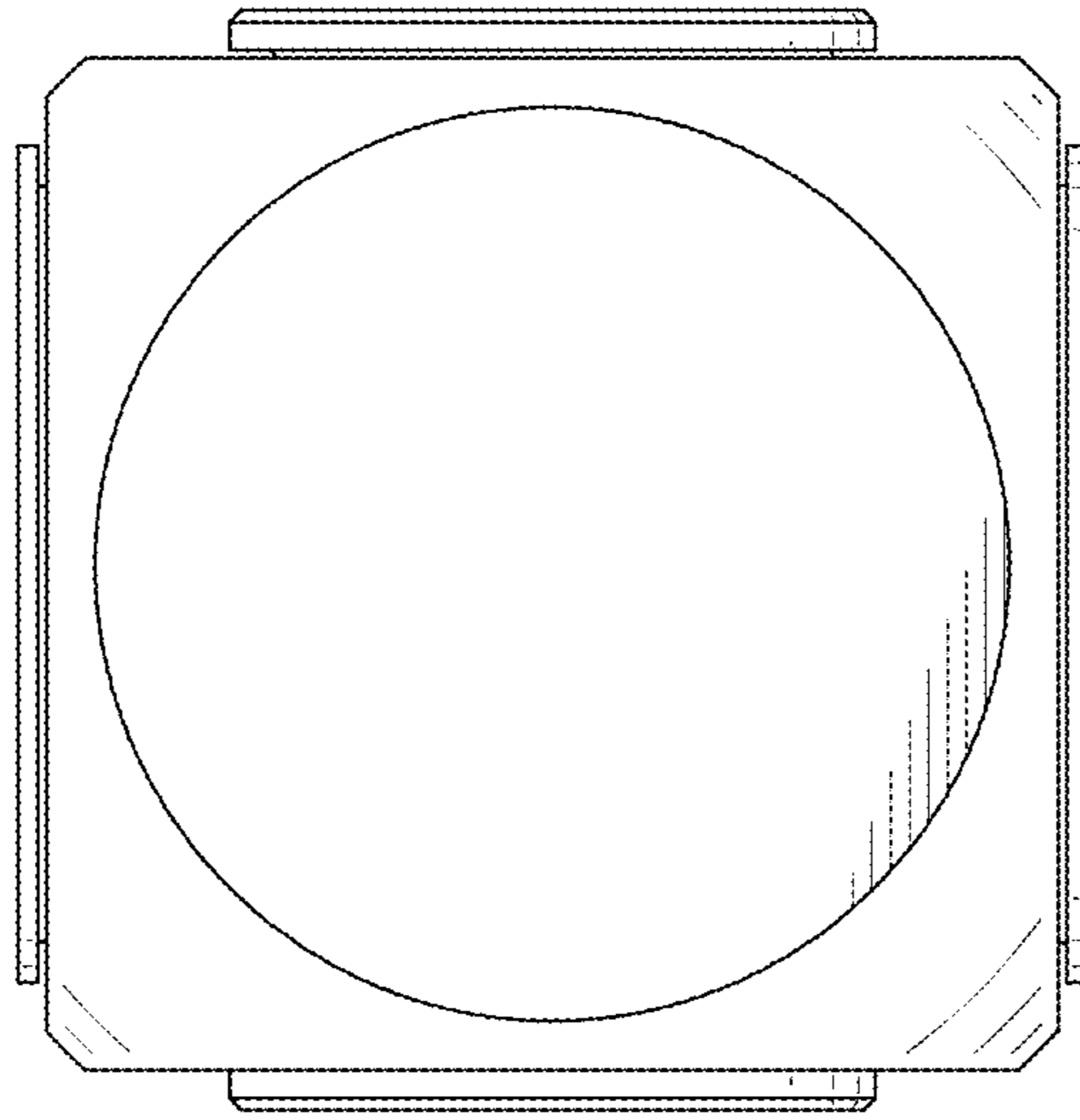


FIG. 4

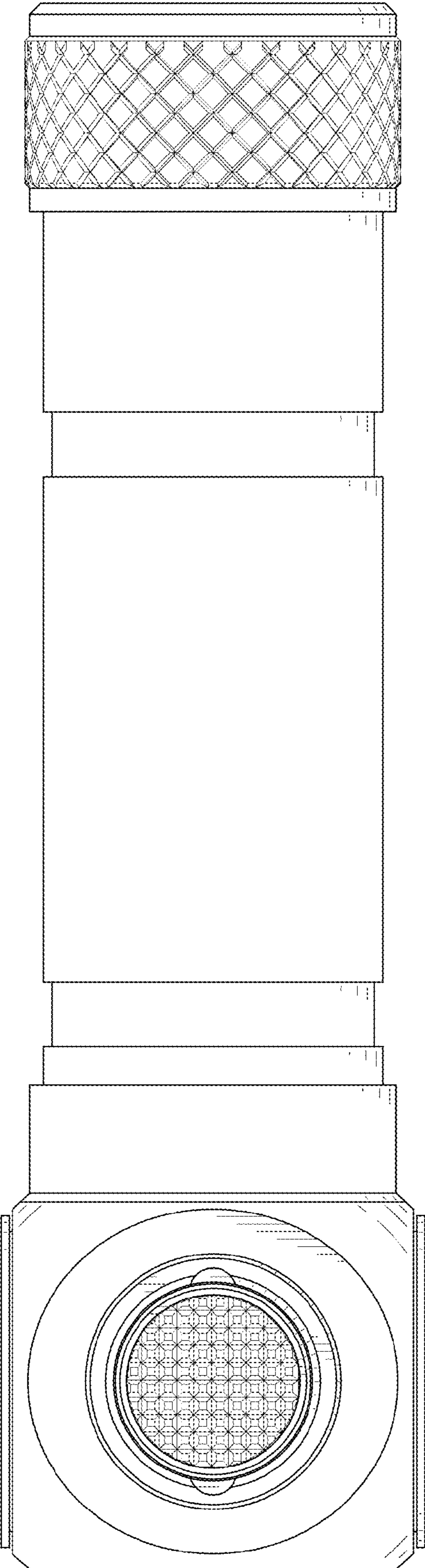


FIG. 5

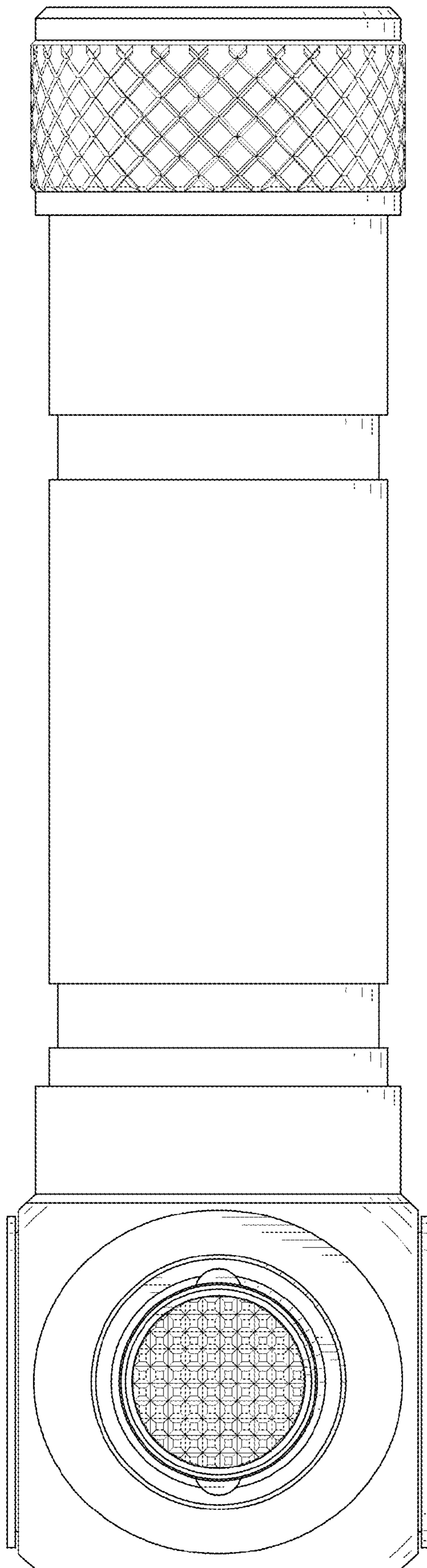


FIG. 6

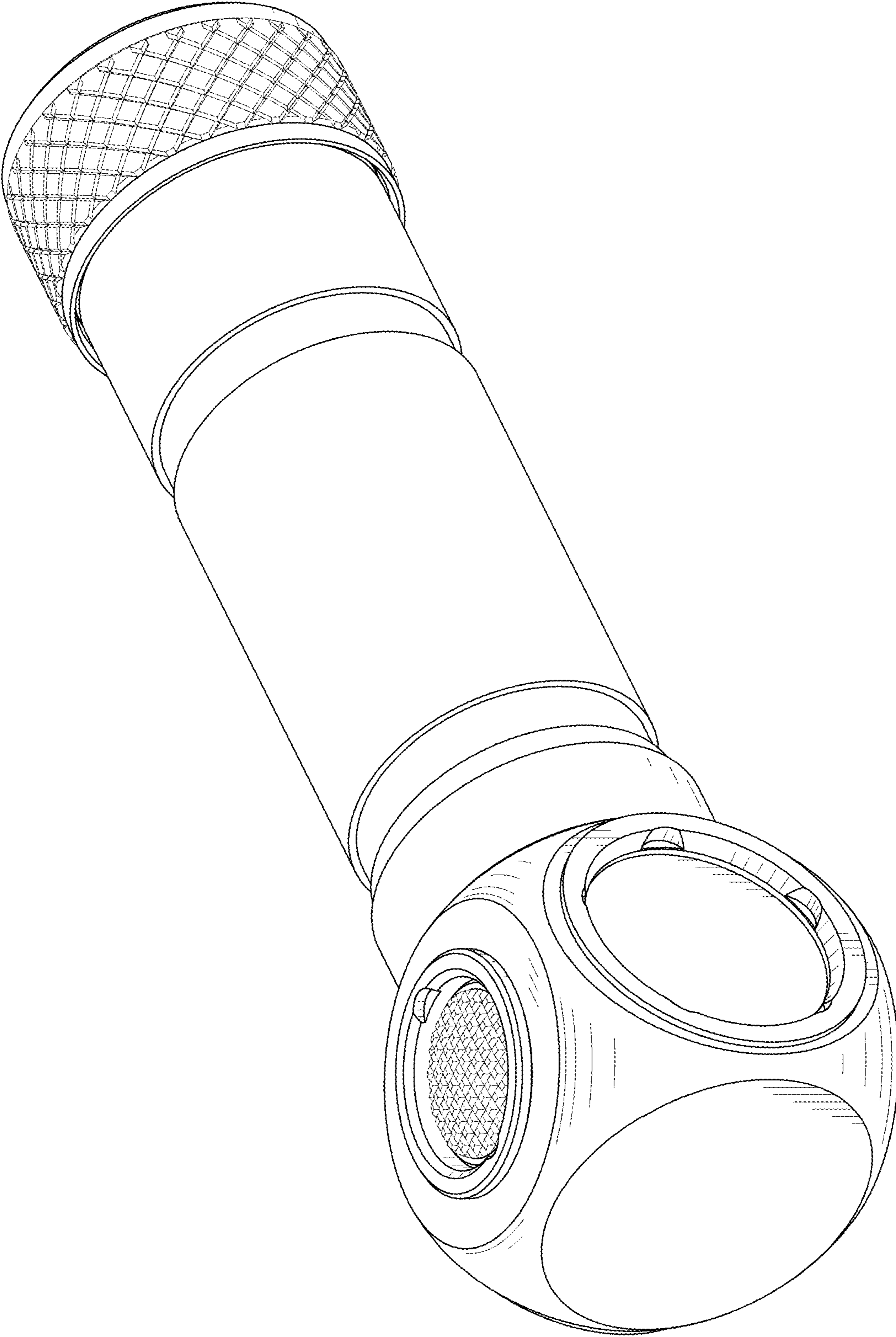


FIG. 7

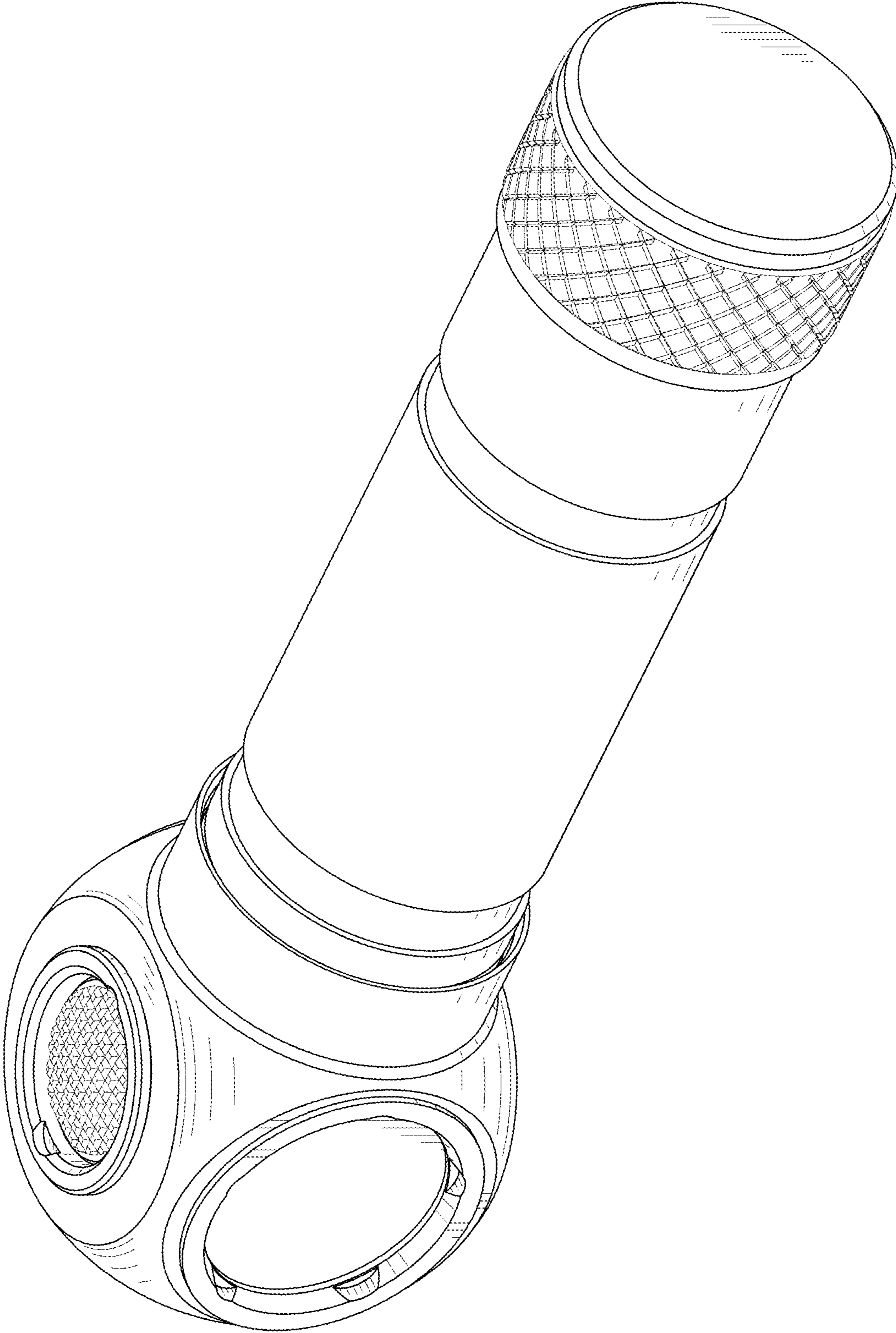


FIG. 8

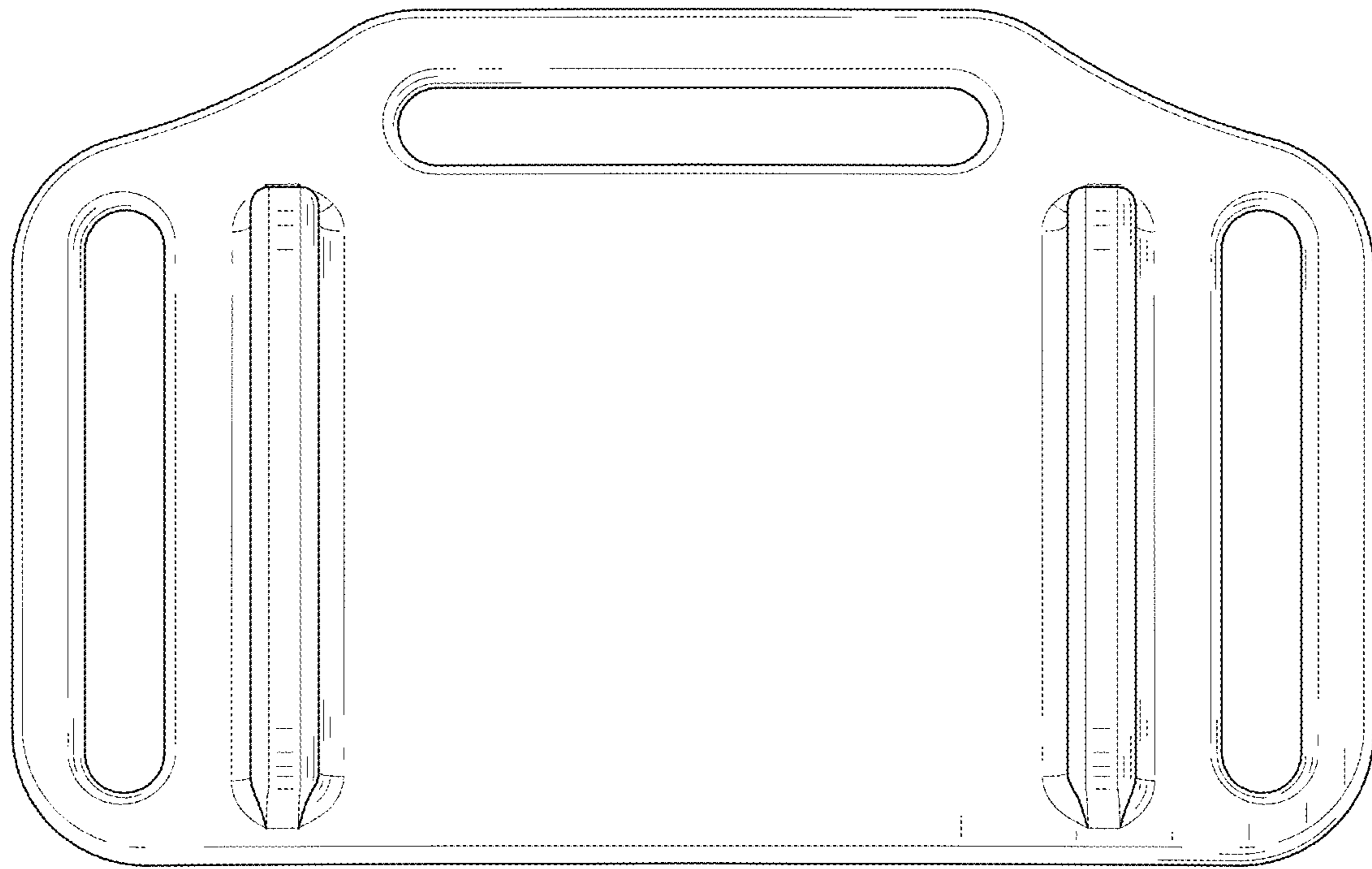


FIG. 9

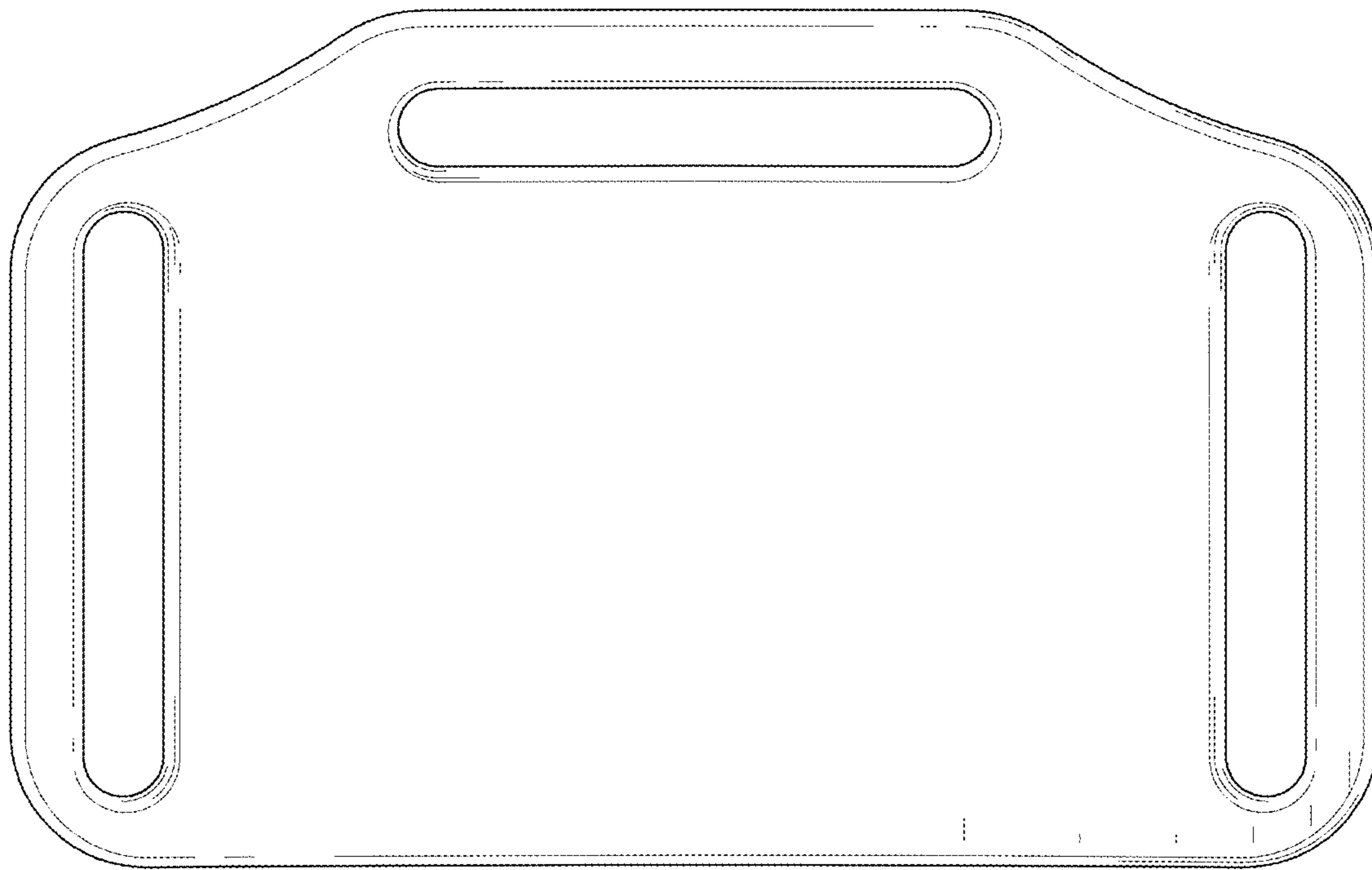


FIG. 10

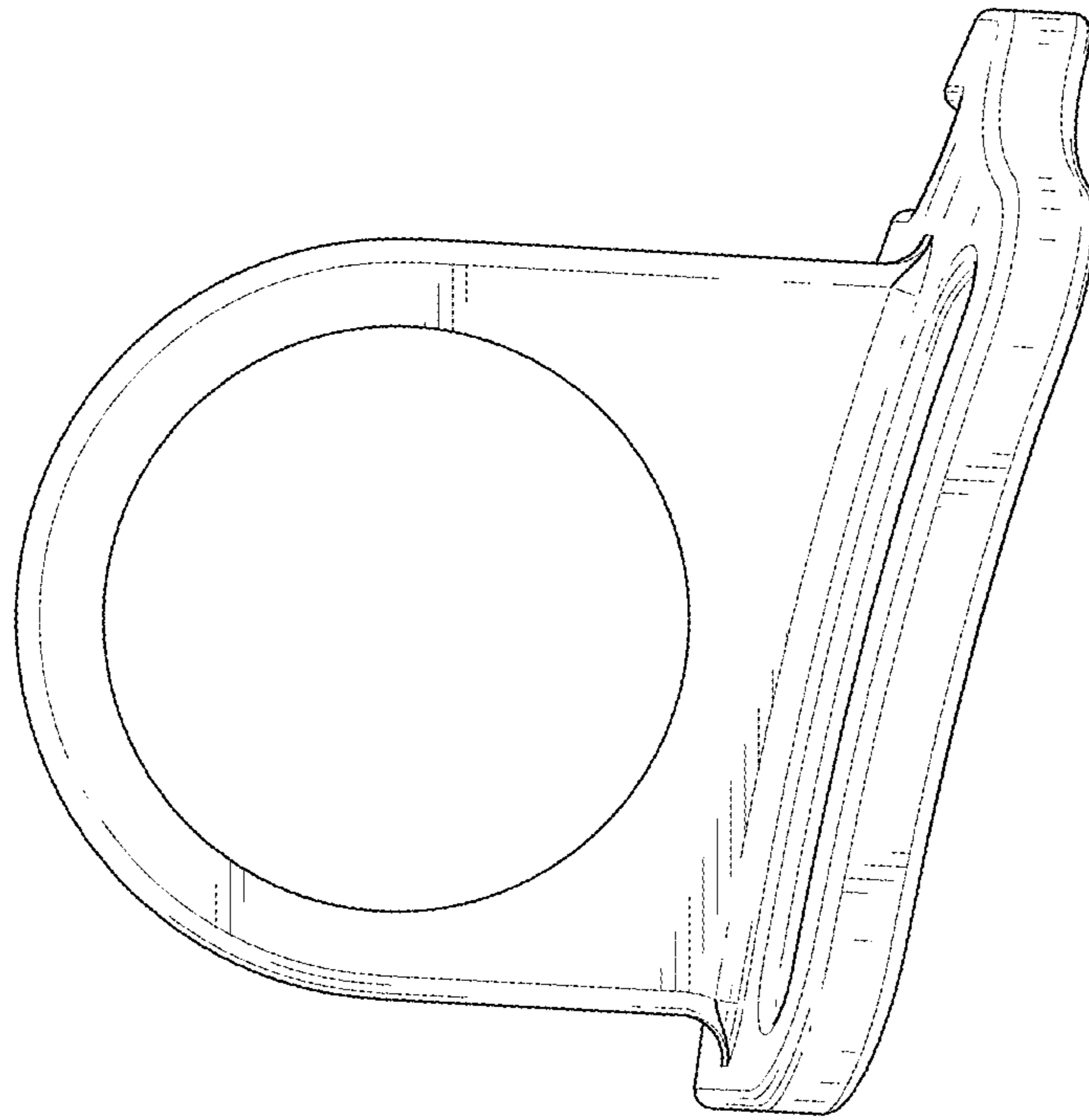


FIG. 11

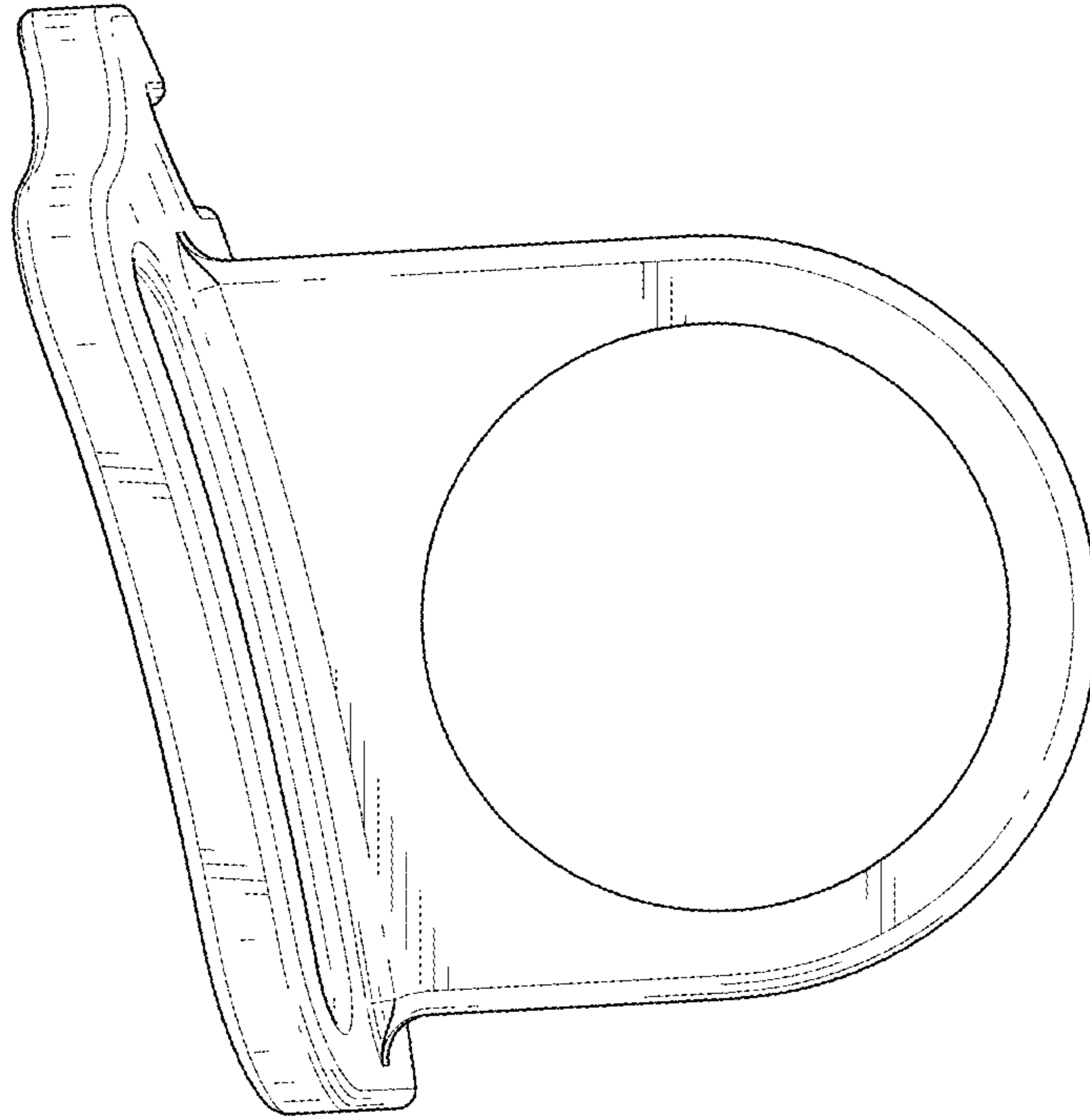


FIG. 12

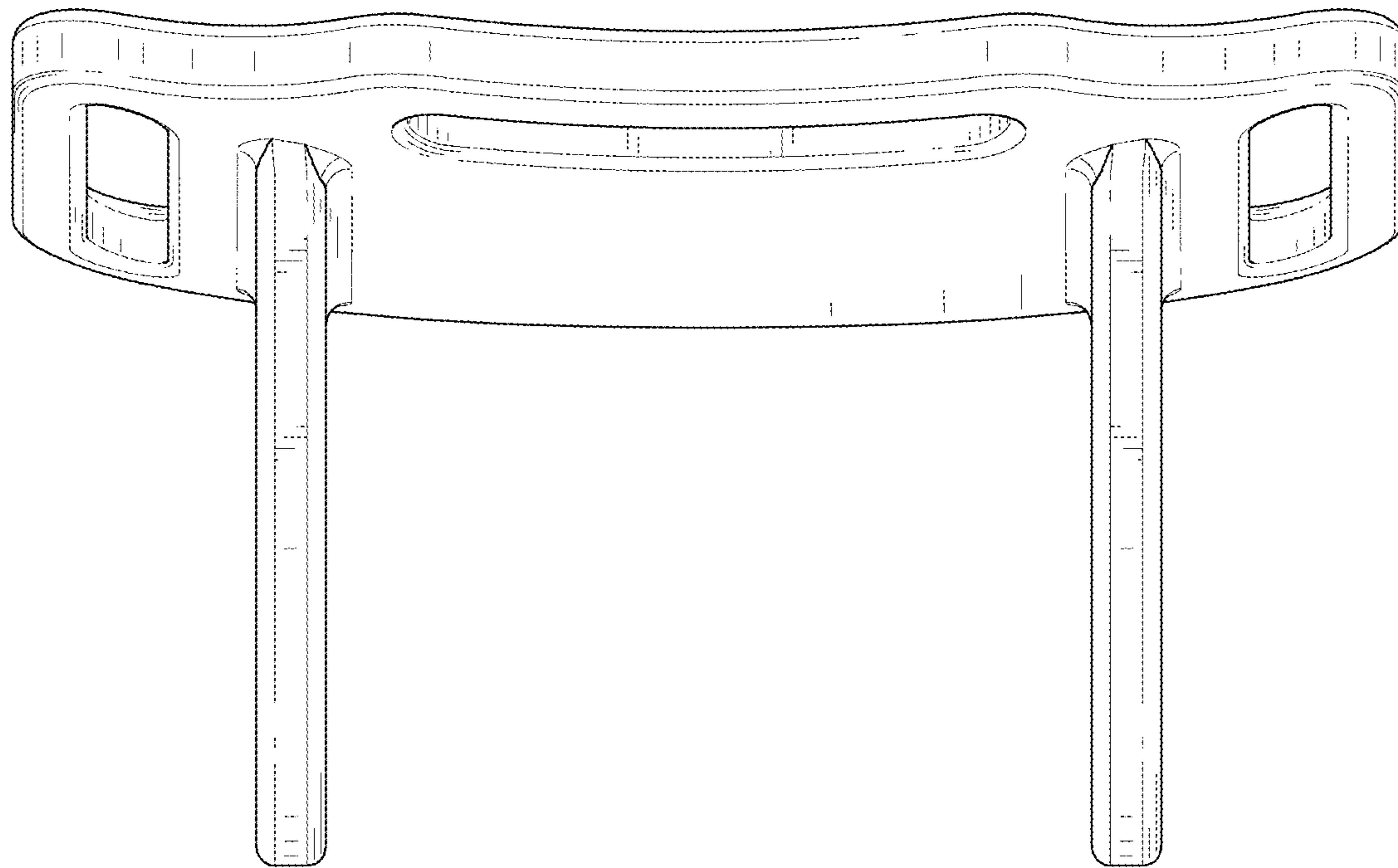


FIG. 13

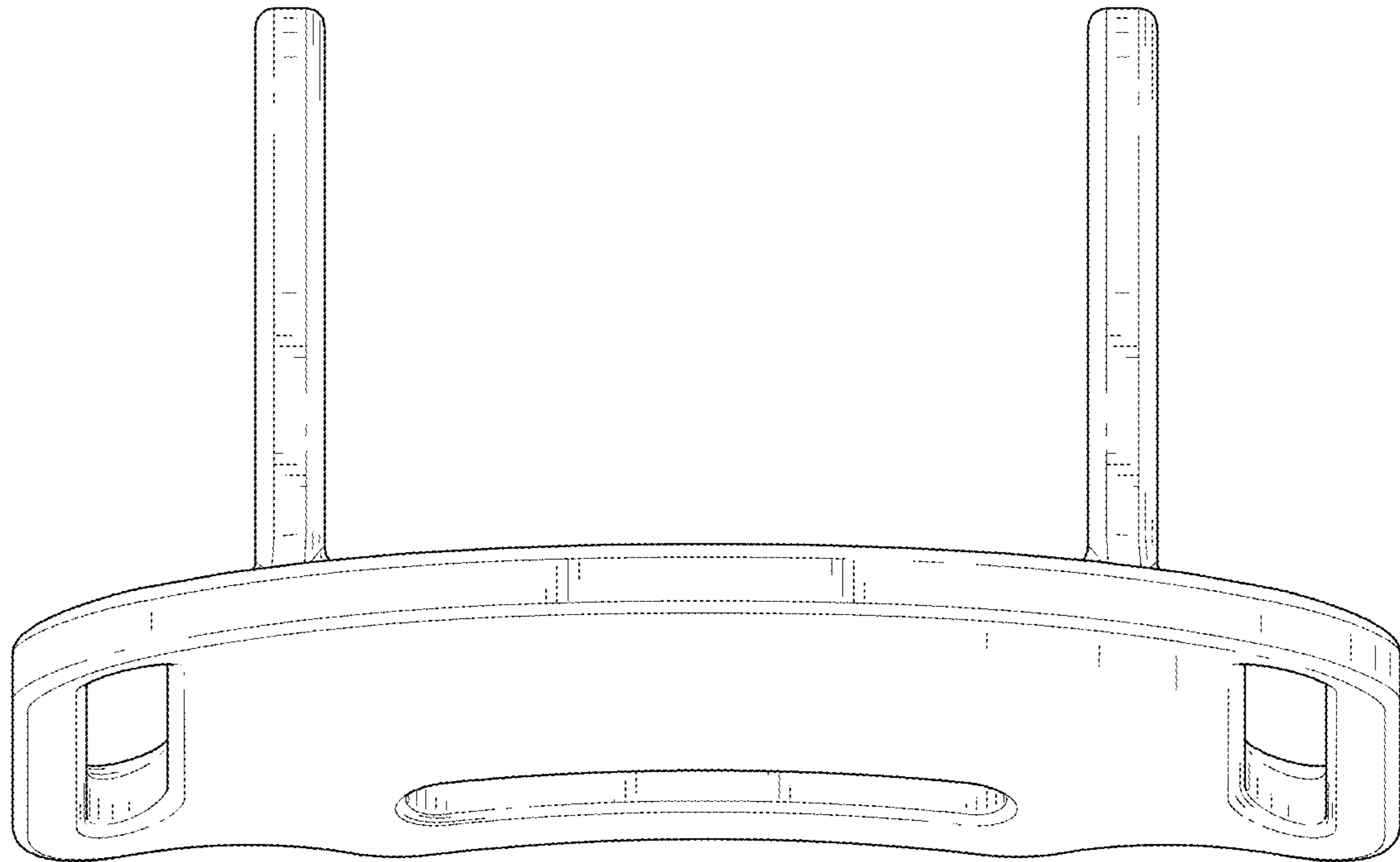


FIG. 14

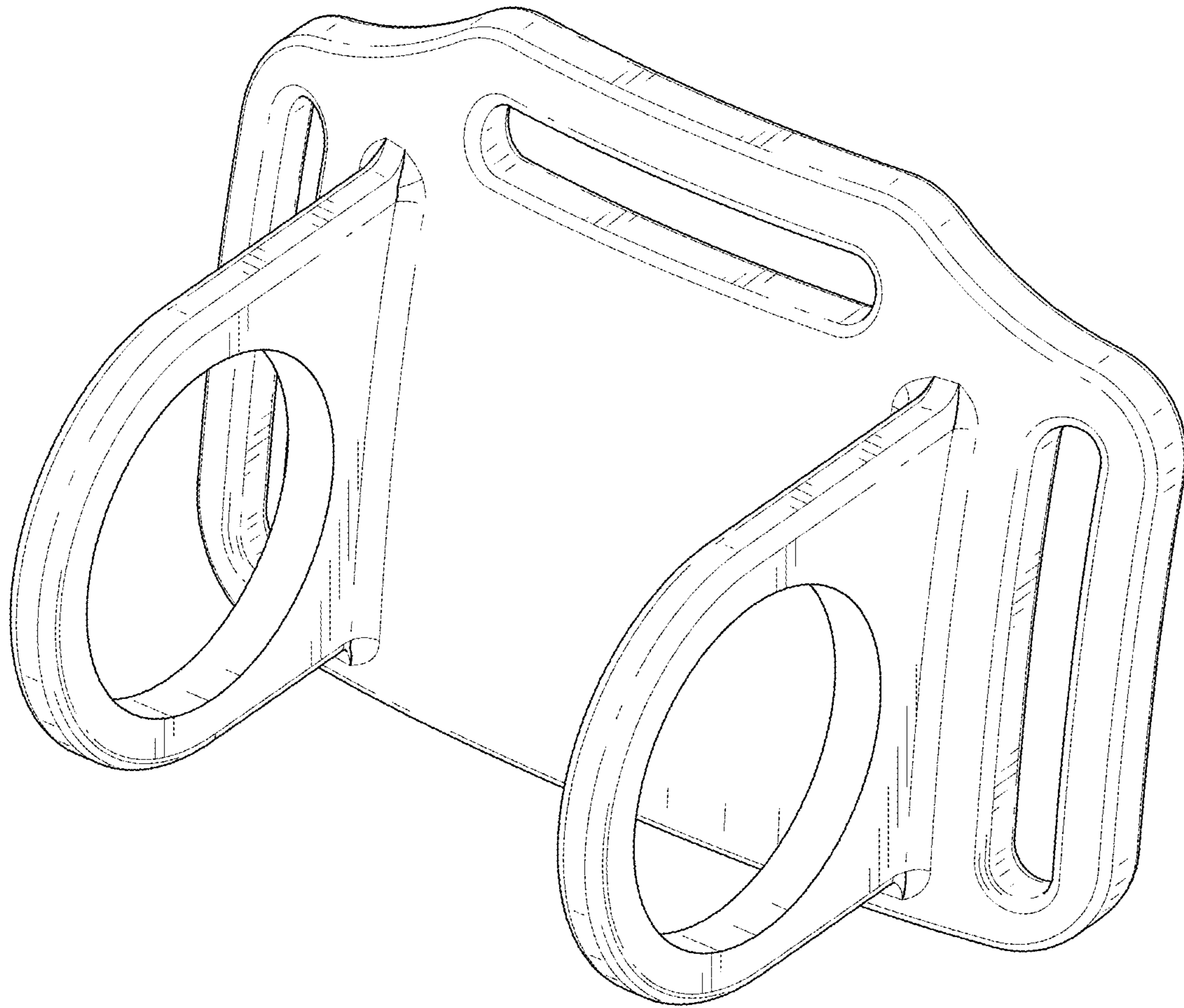


FIG. 15

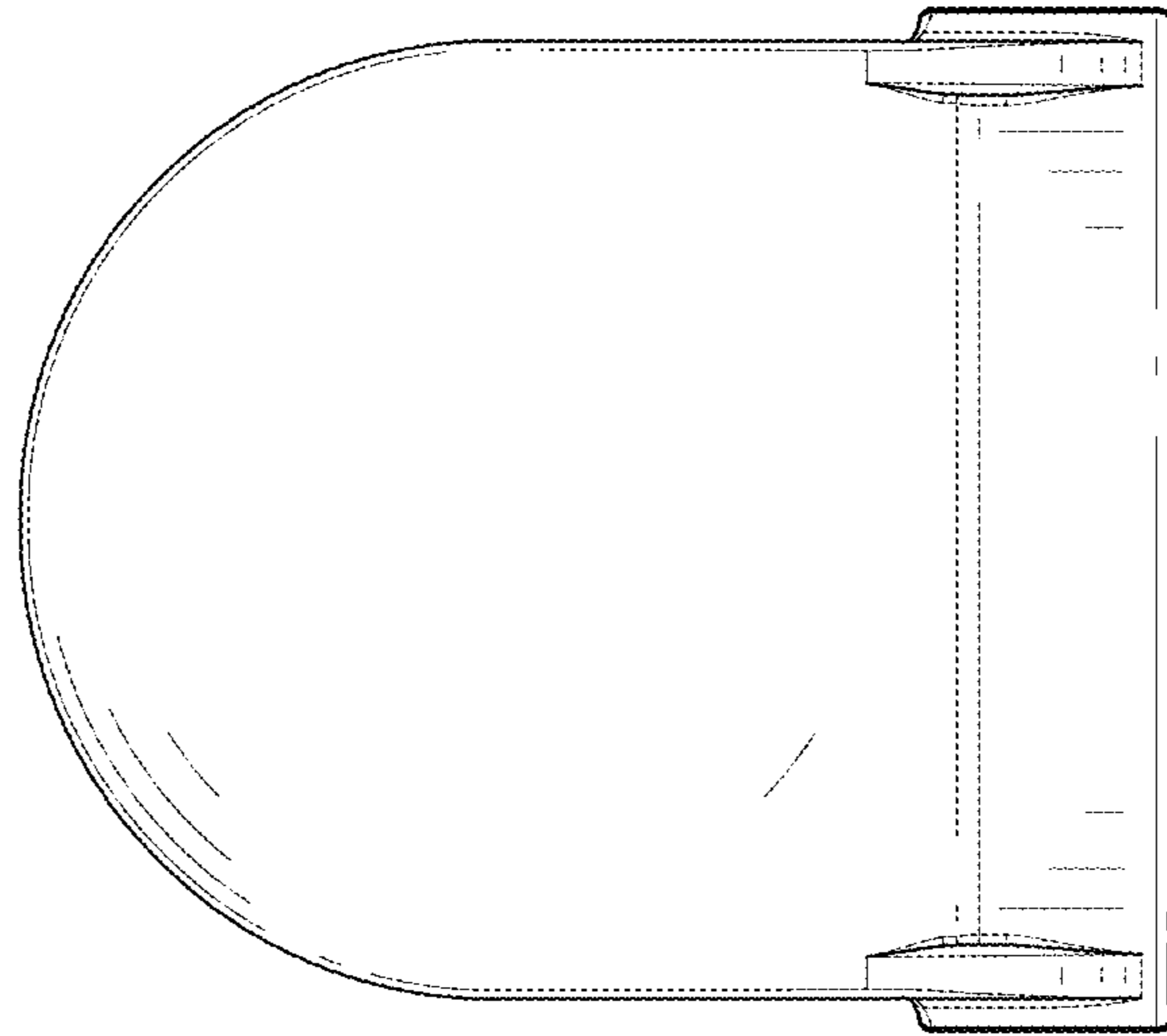


FIG. 16

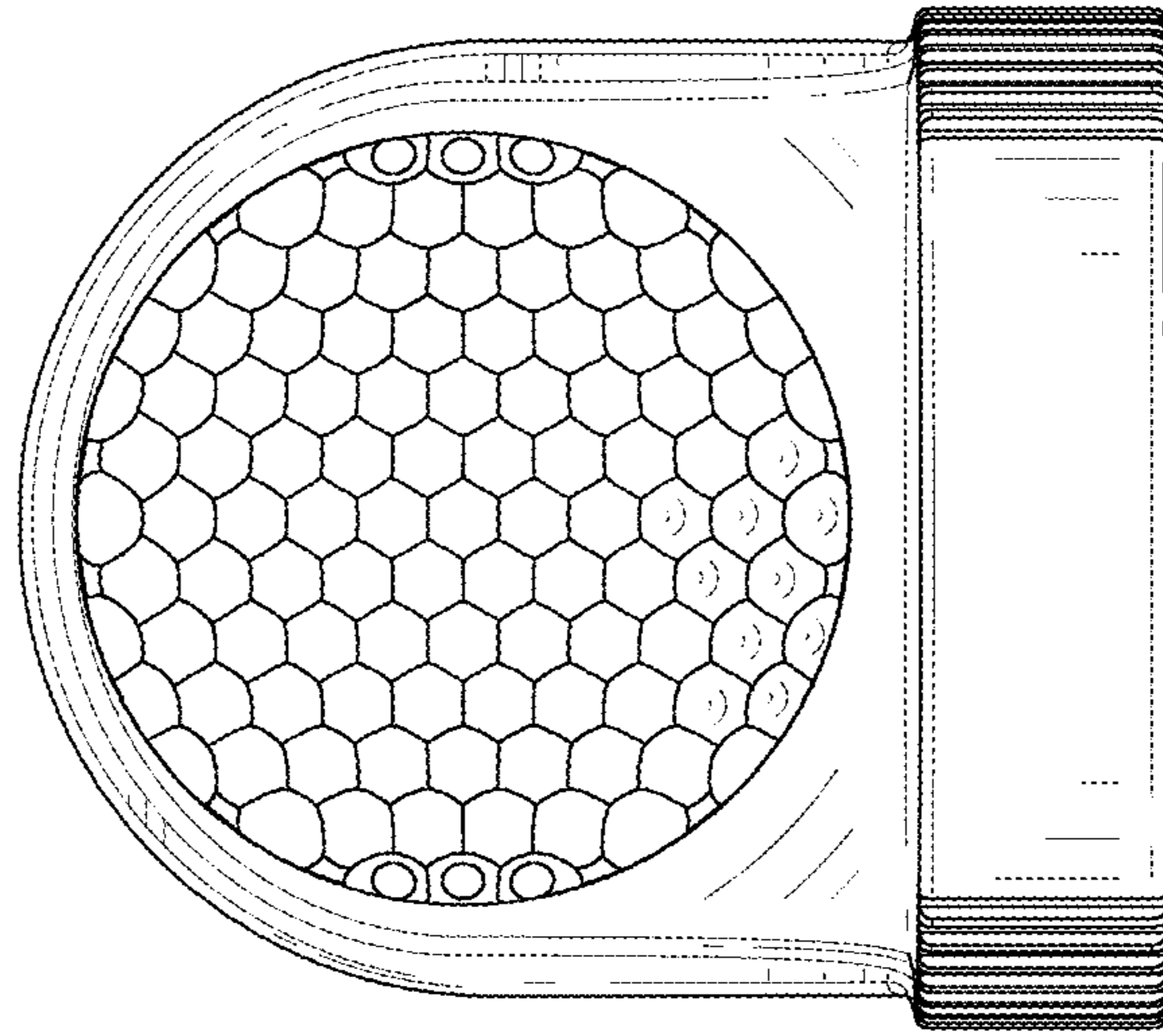


FIG. 17

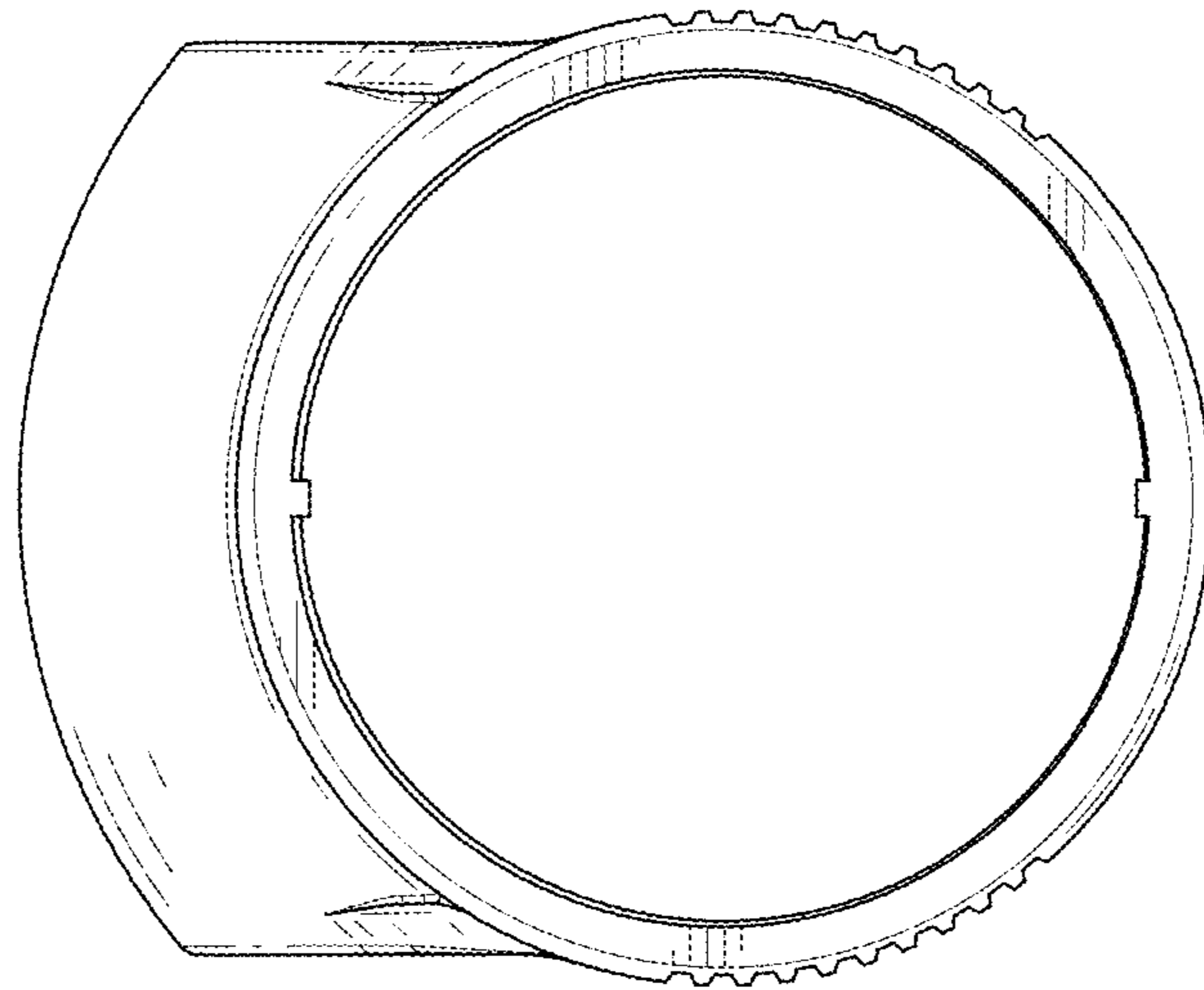


FIG. 18

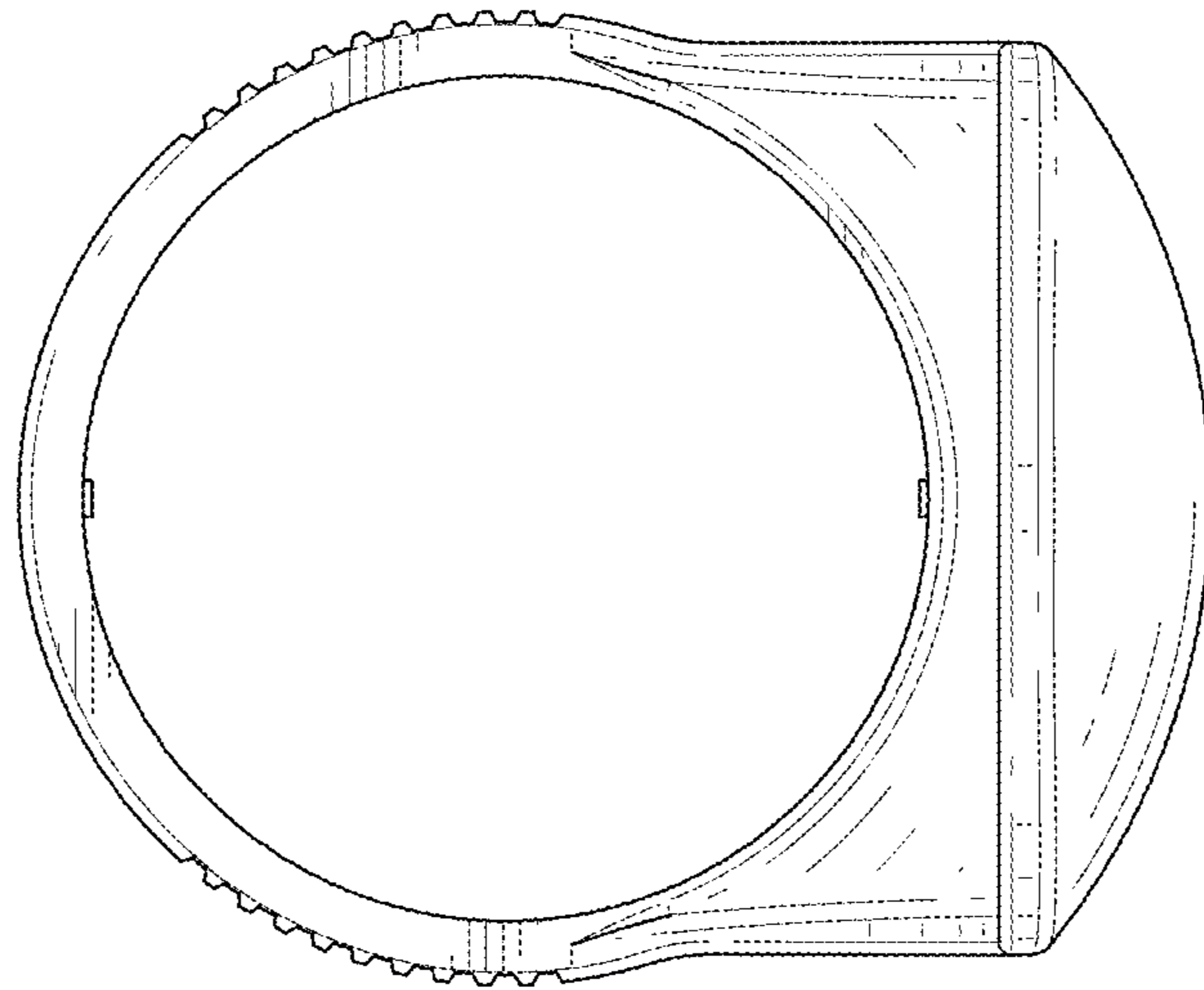


FIG. 19

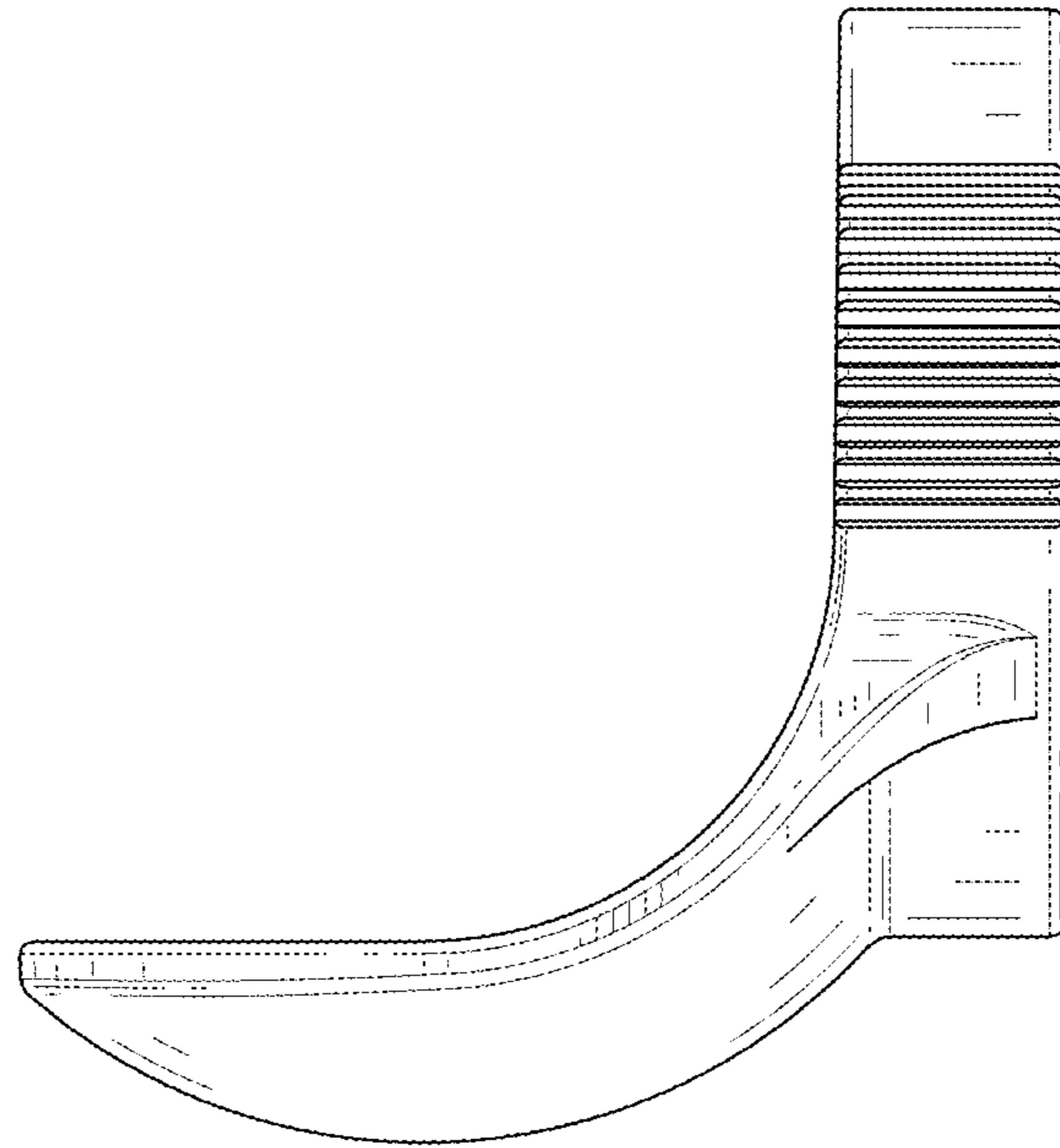


FIG. 20

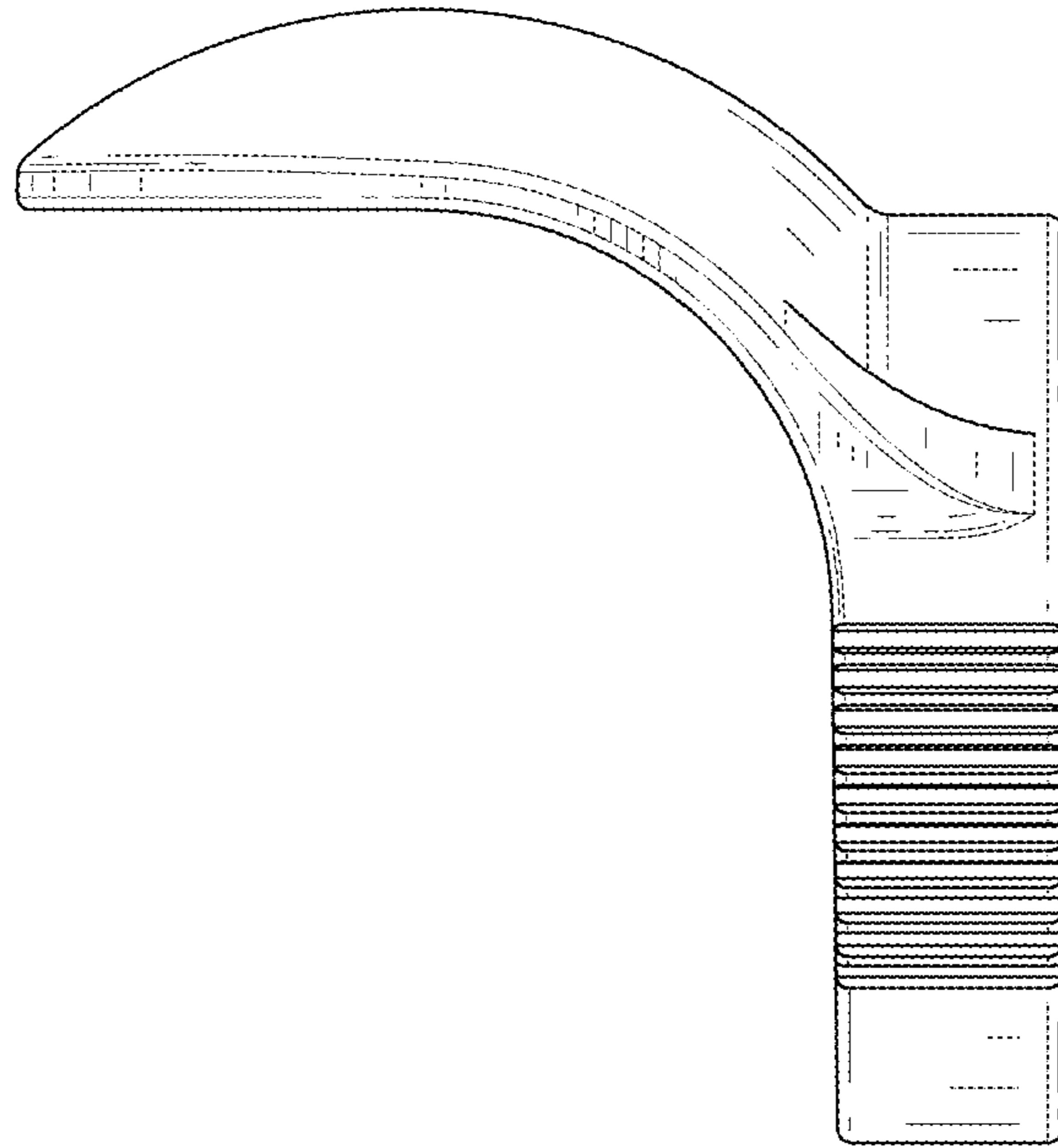


FIG. 21

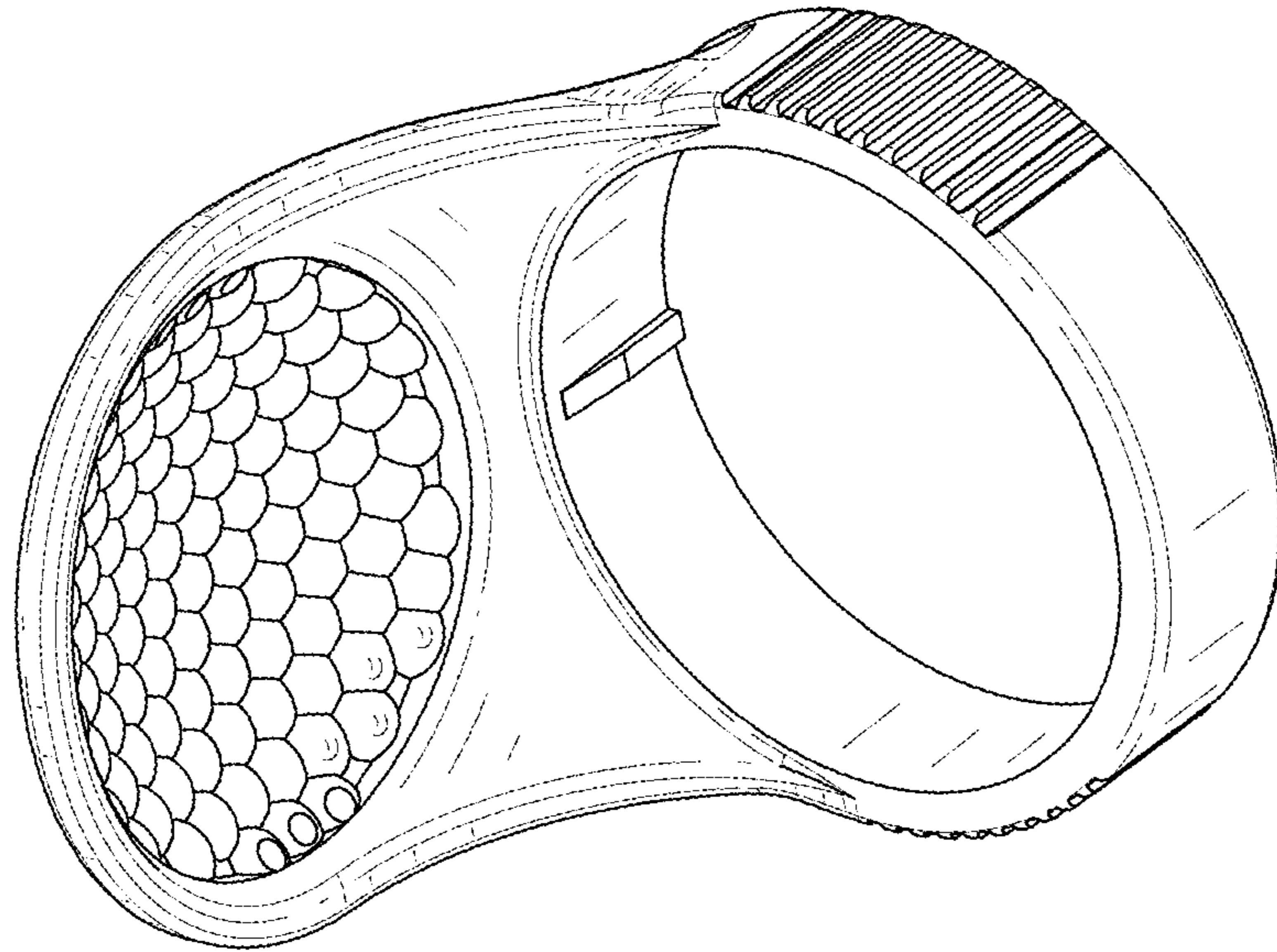


FIG. 22

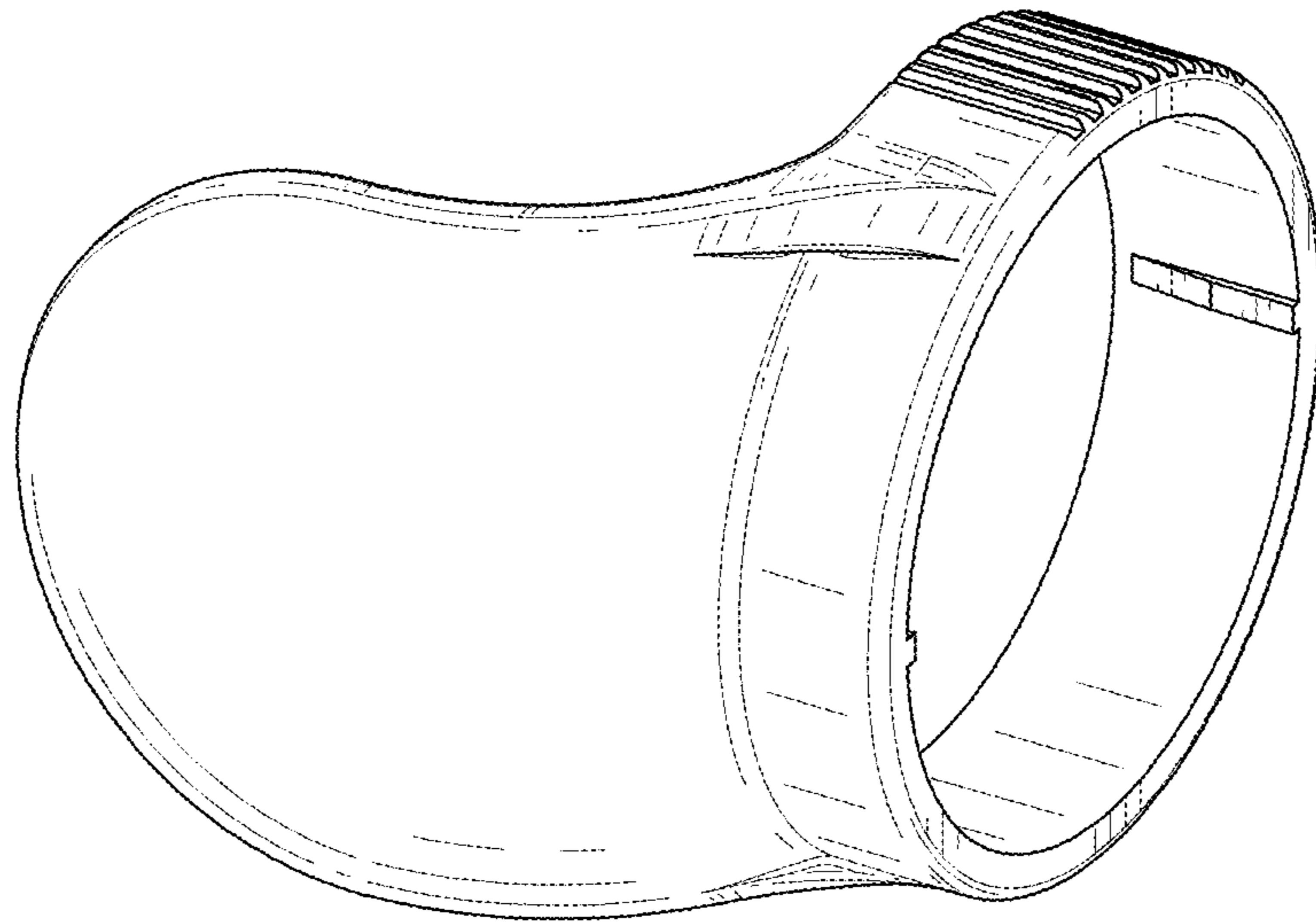


FIG. 23

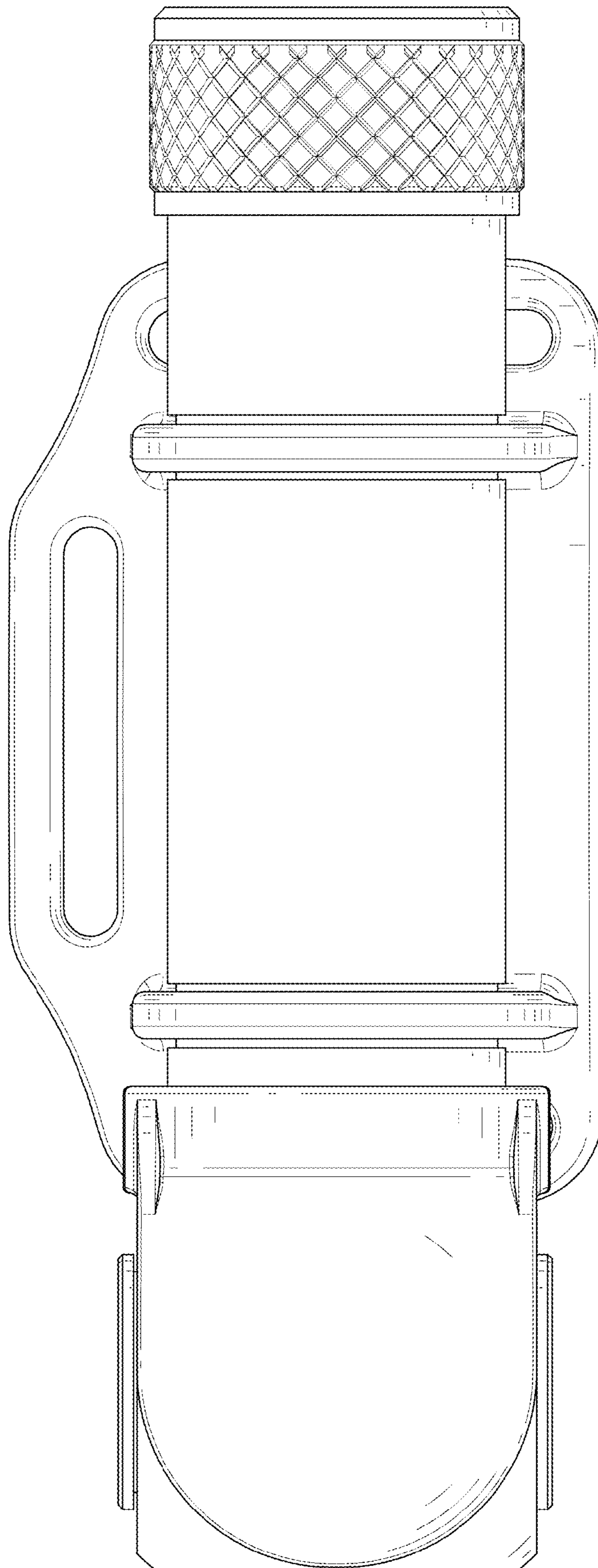


FIG. 24

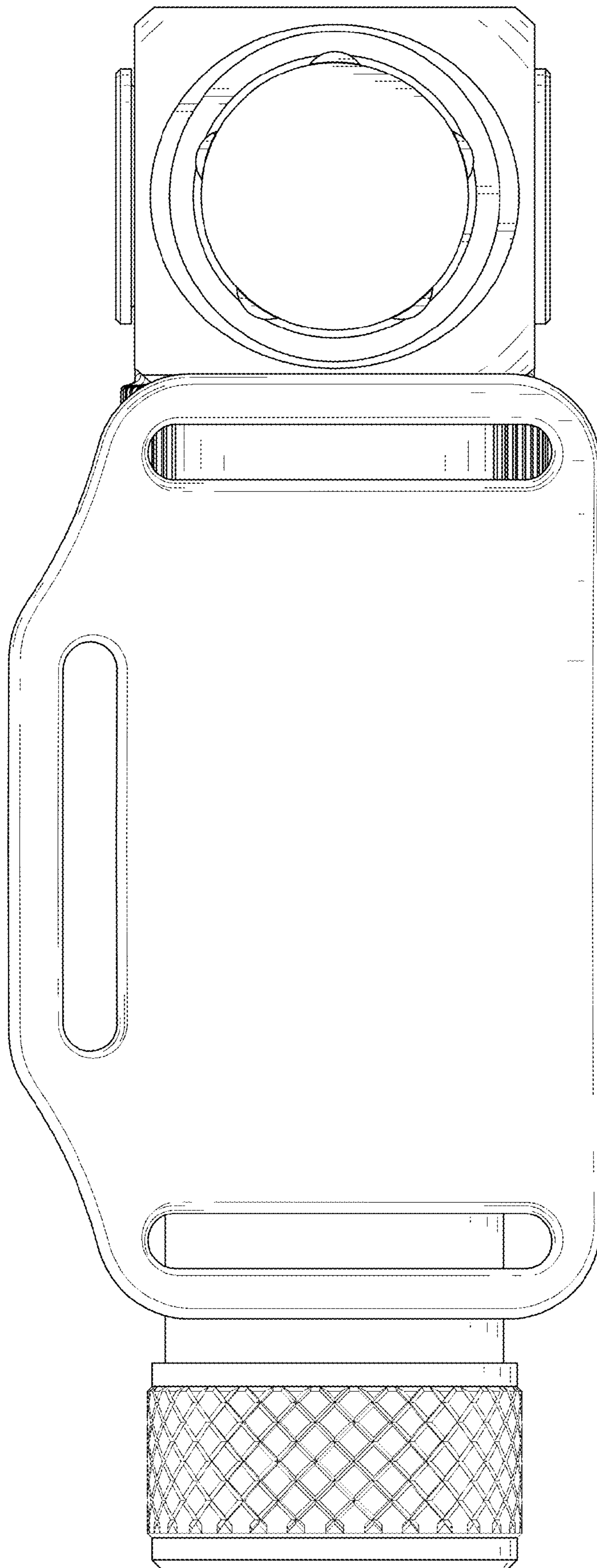


FIG. 25

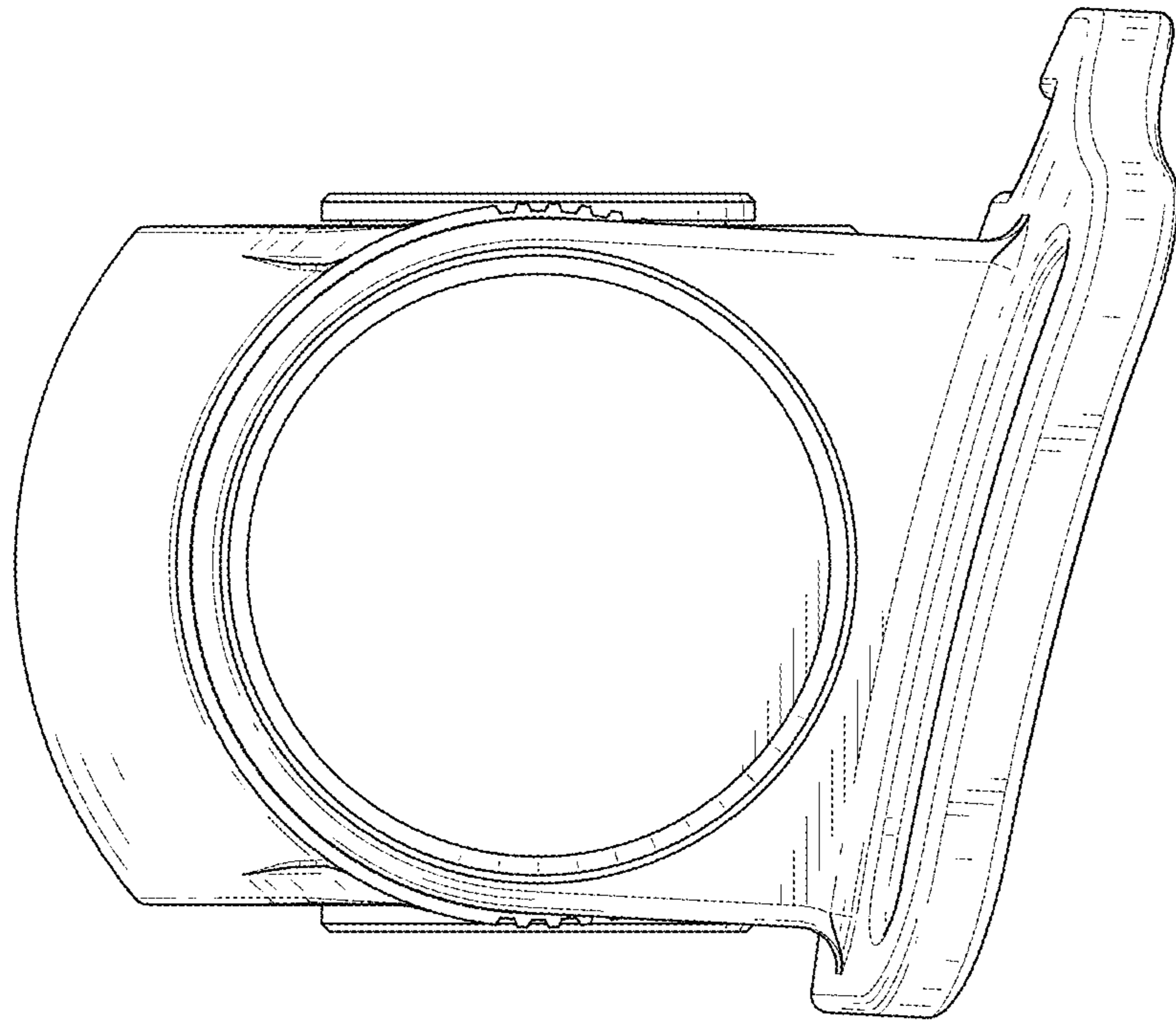


FIG. 26

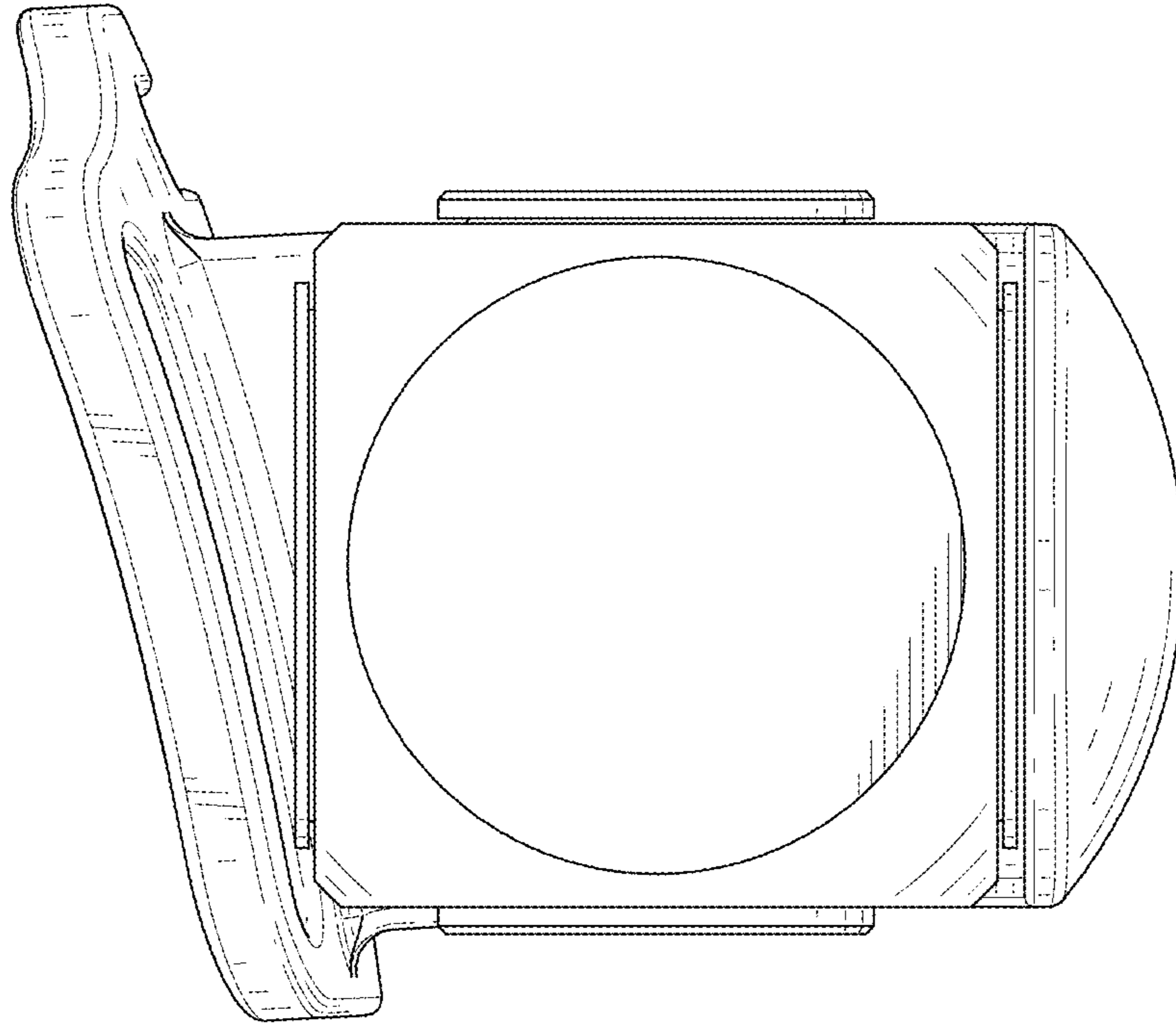


FIG. 27

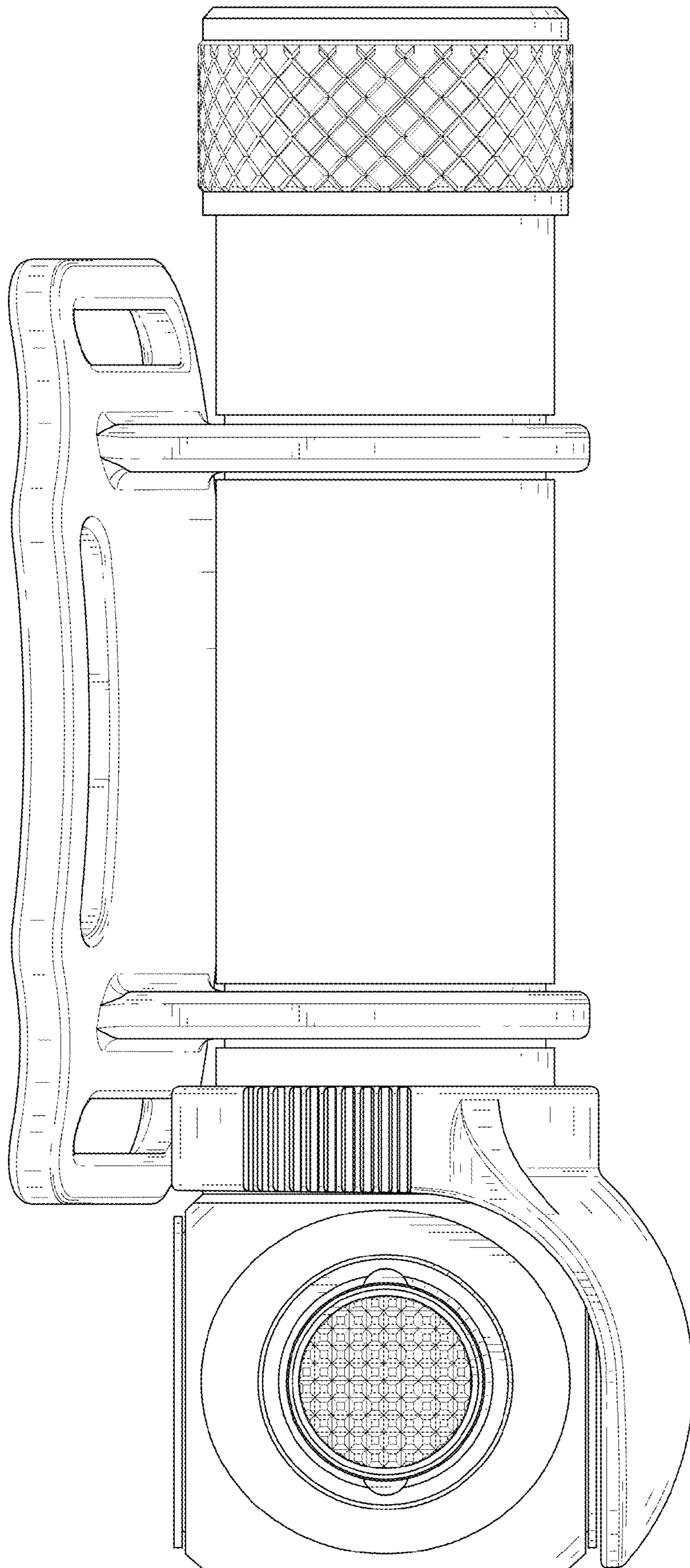


FIG. 28

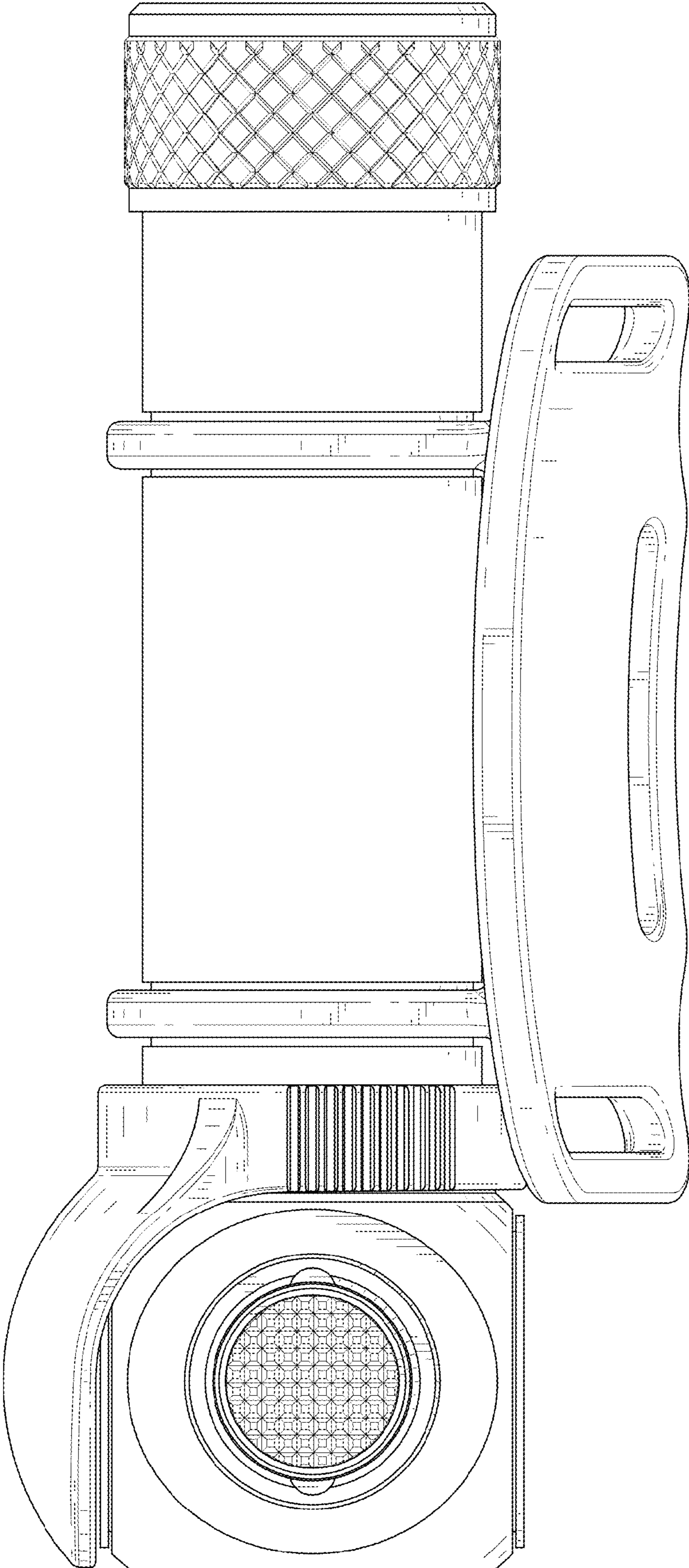


FIG. 29

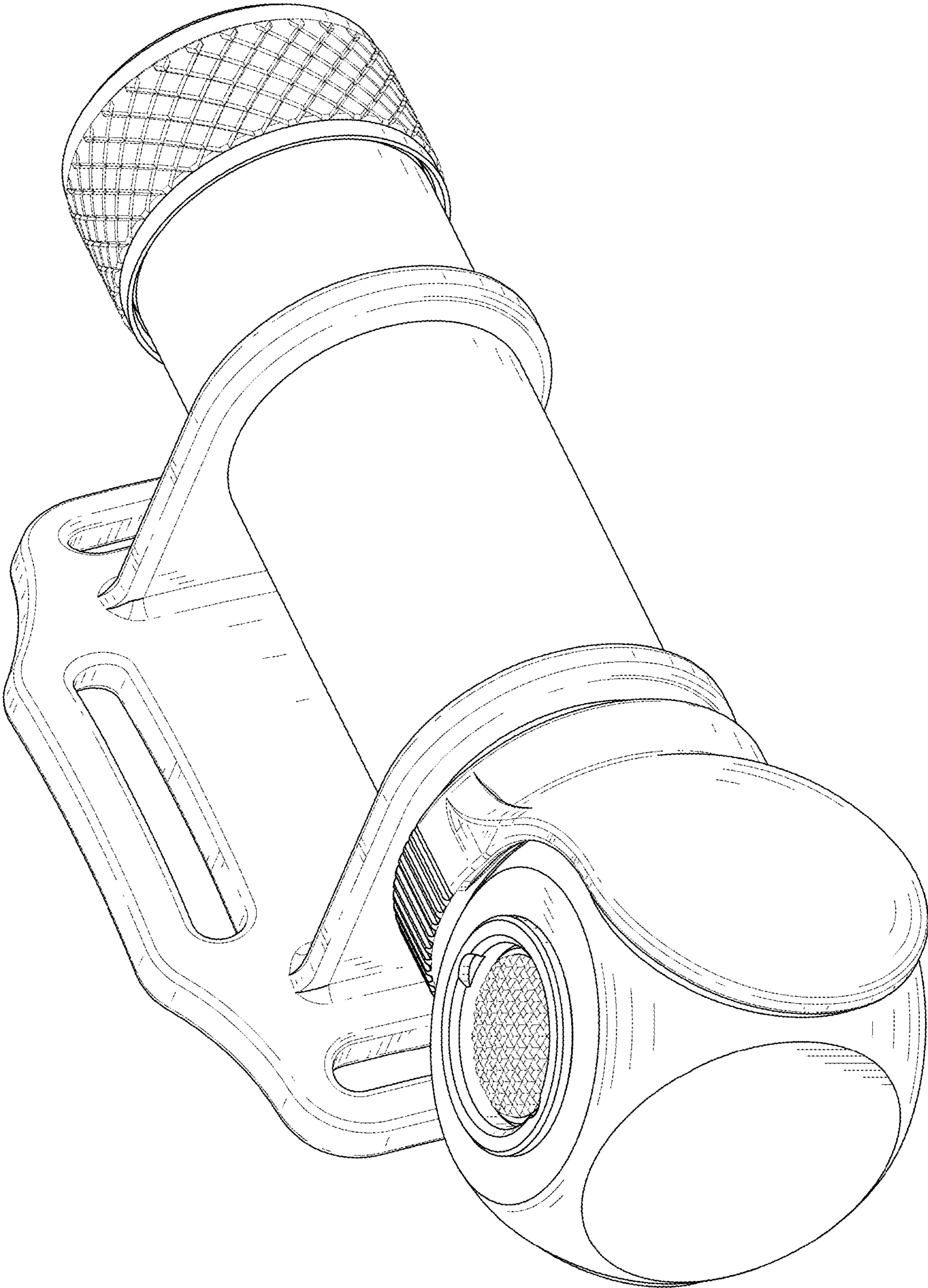


FIG. 30

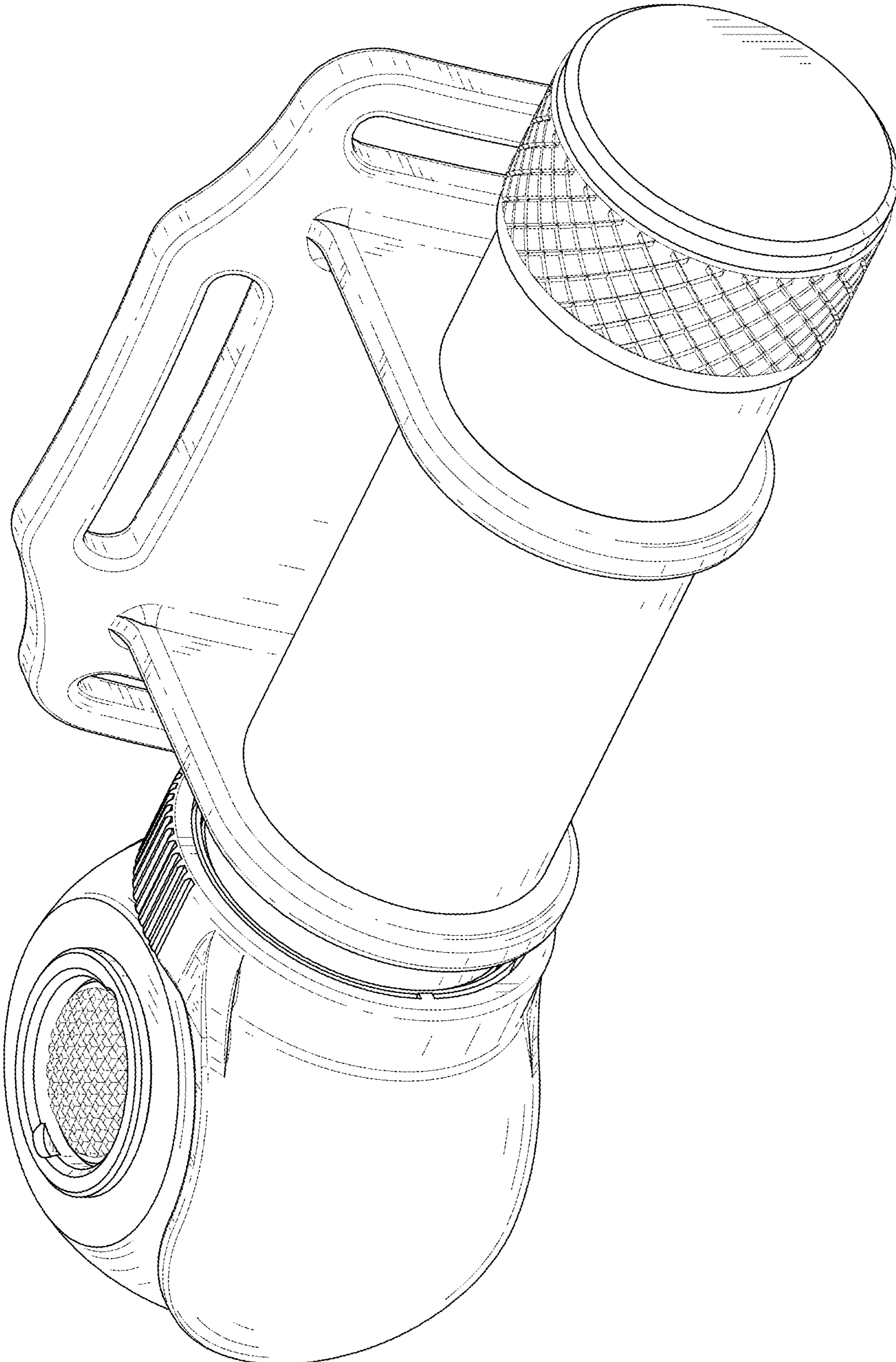


FIG. 31

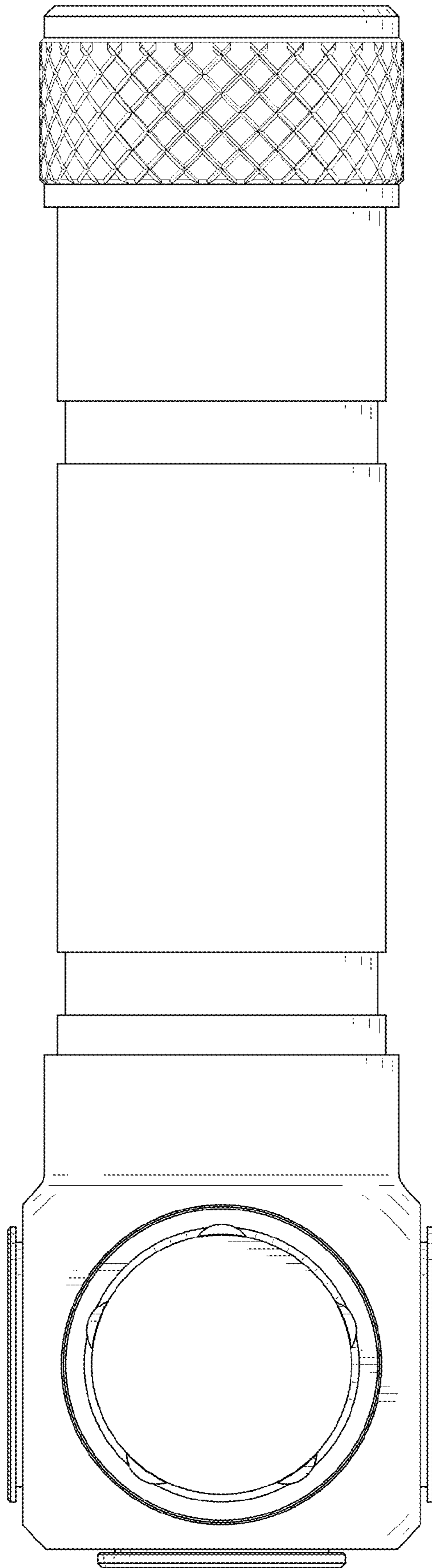


FIG. 32

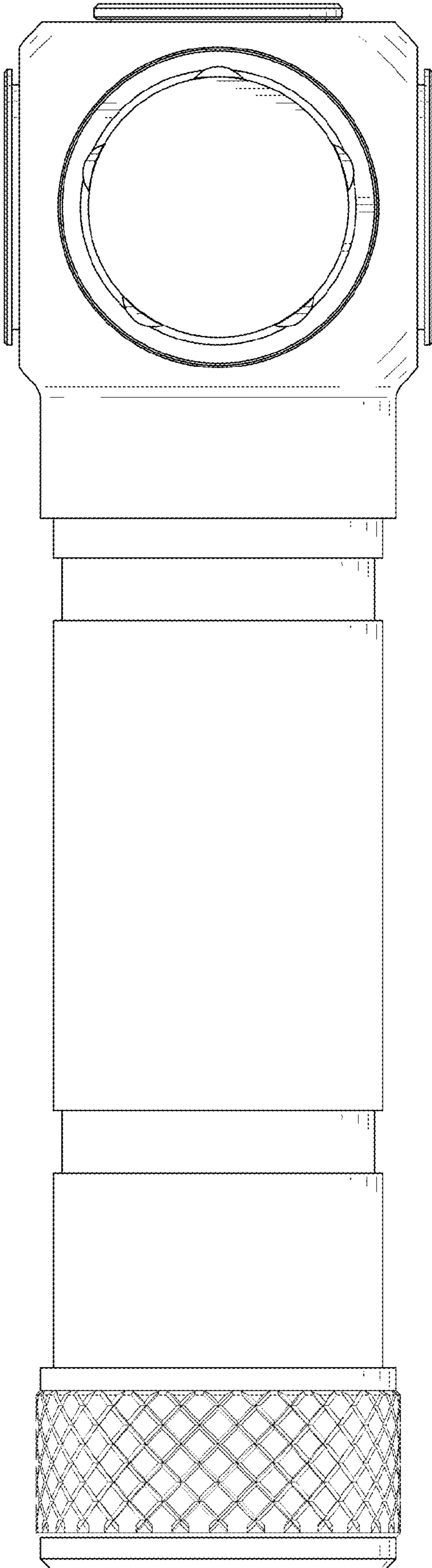


FIG. 33

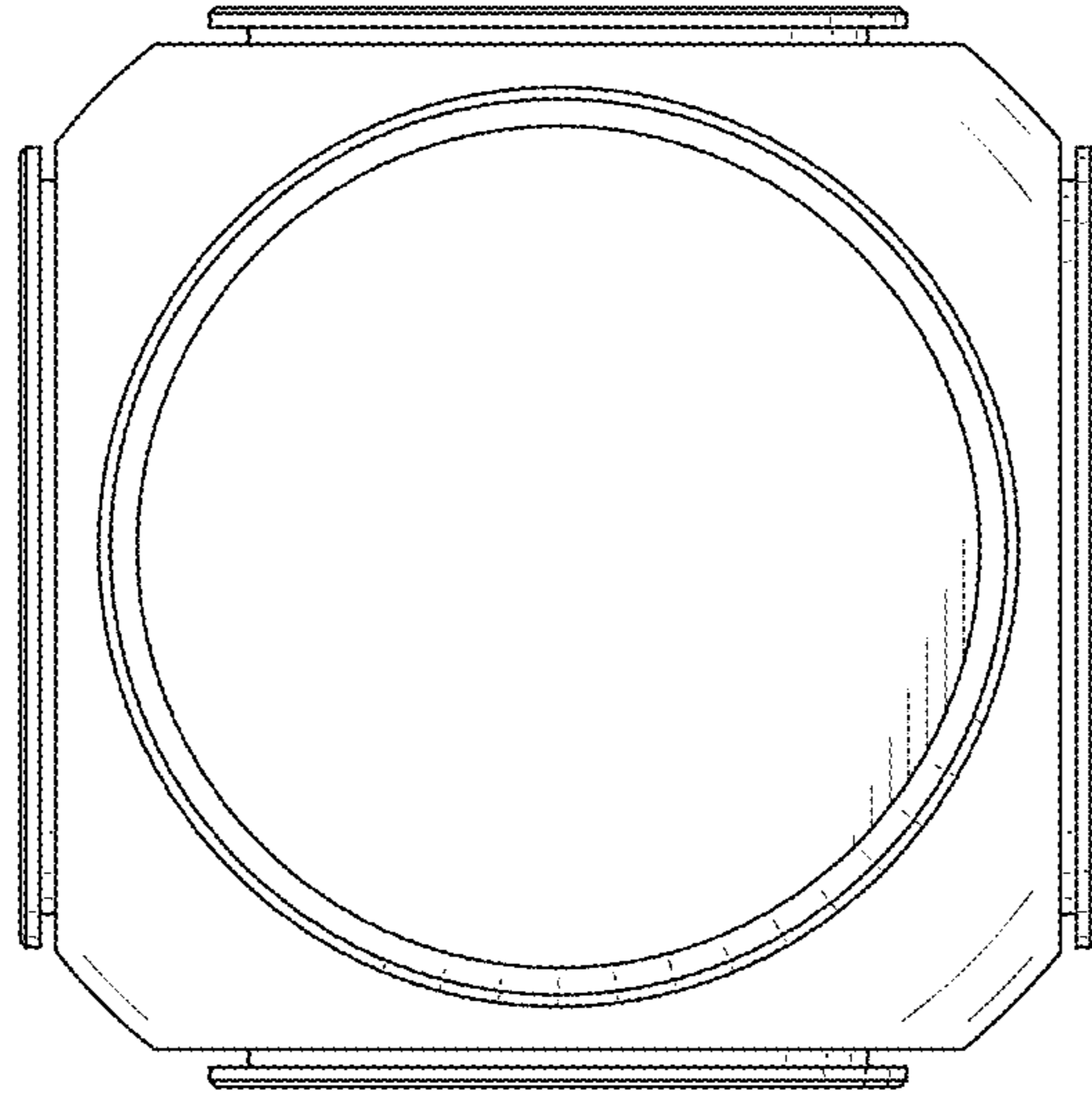


FIG. 34

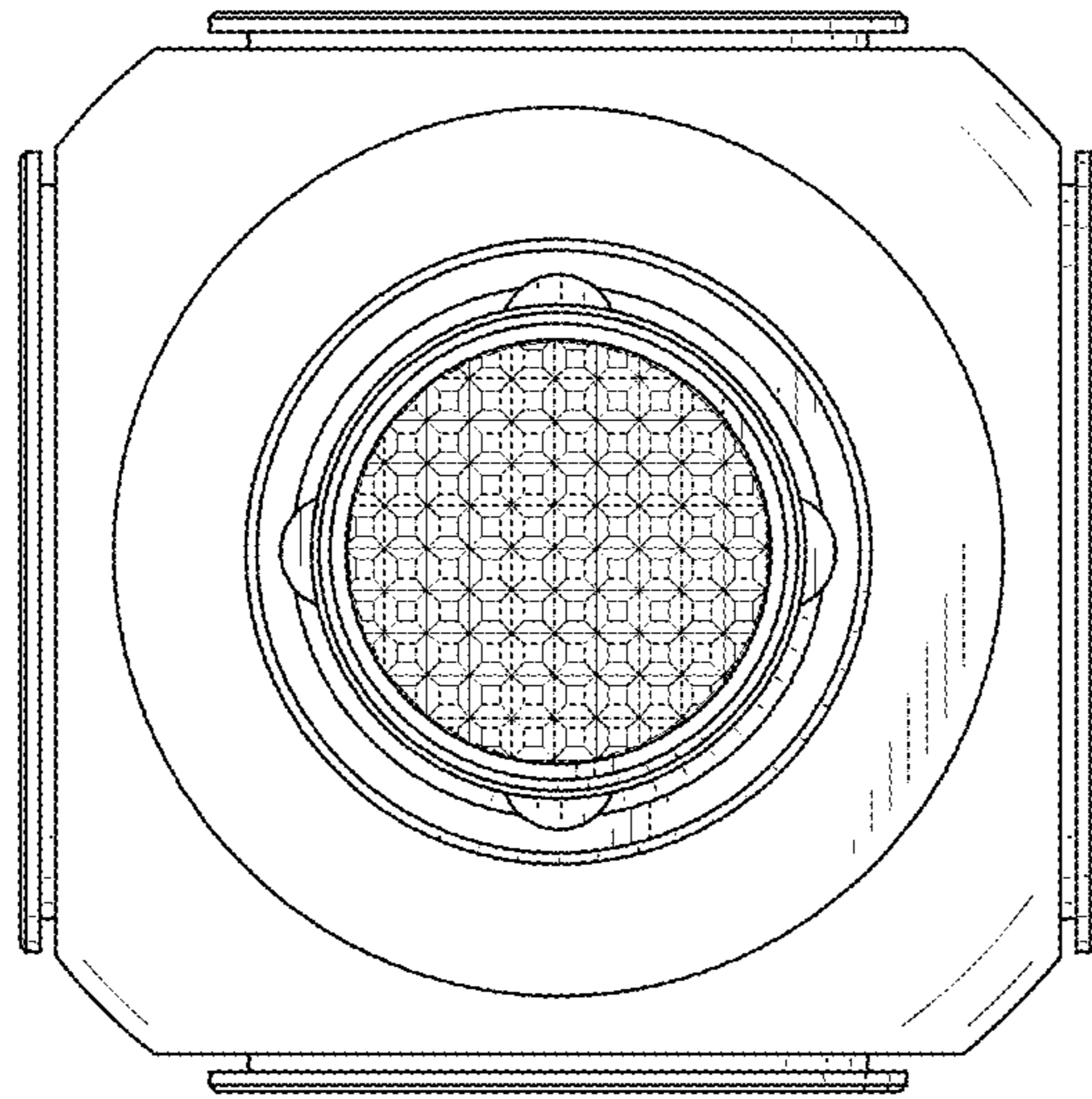


FIG. 35

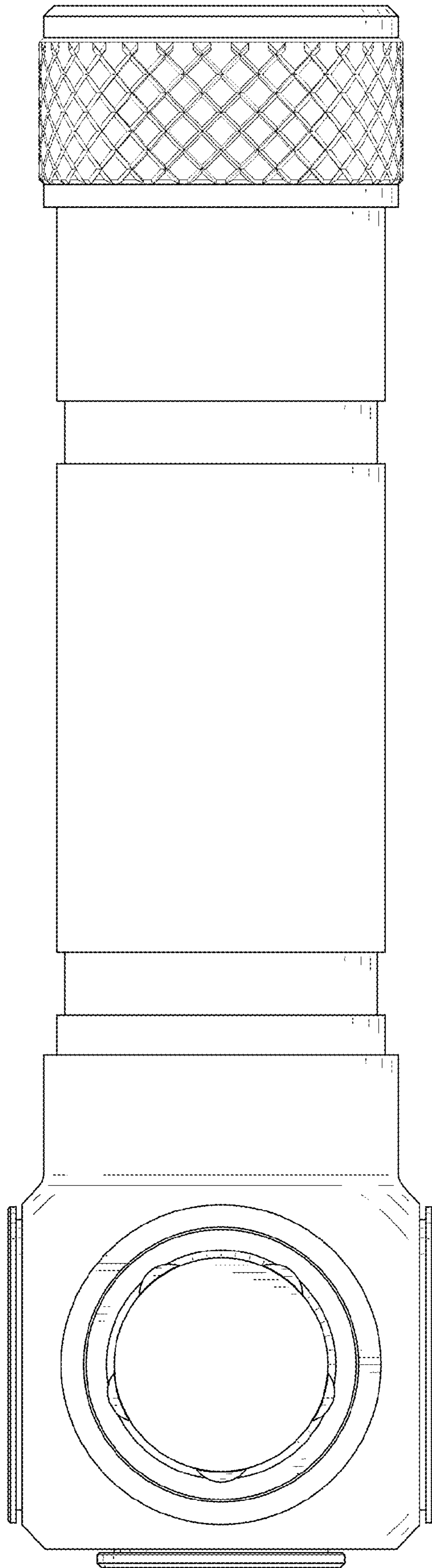


FIG. 36

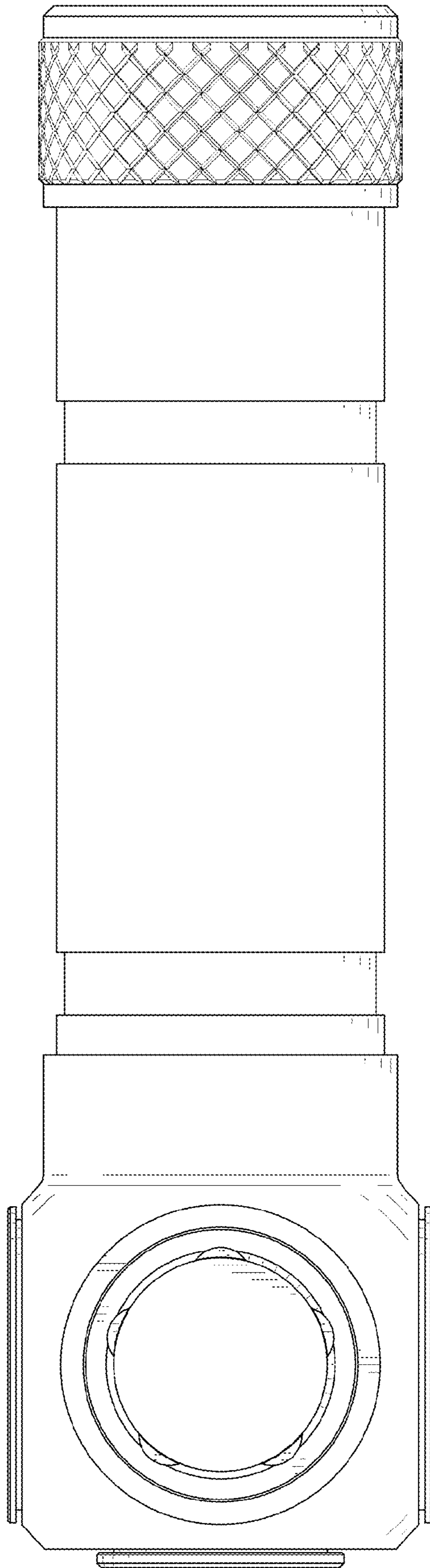


FIG. 37

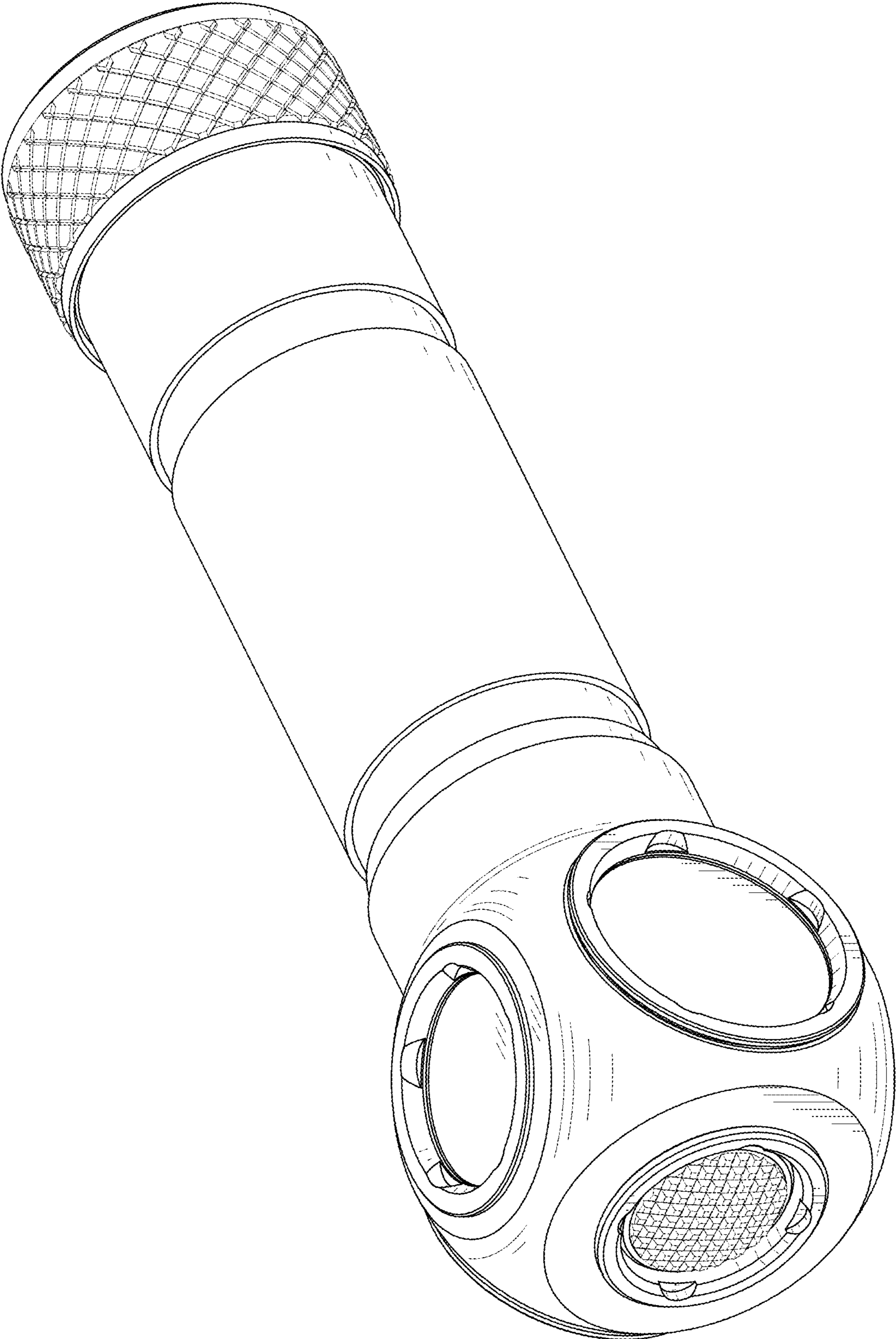


FIG. 38

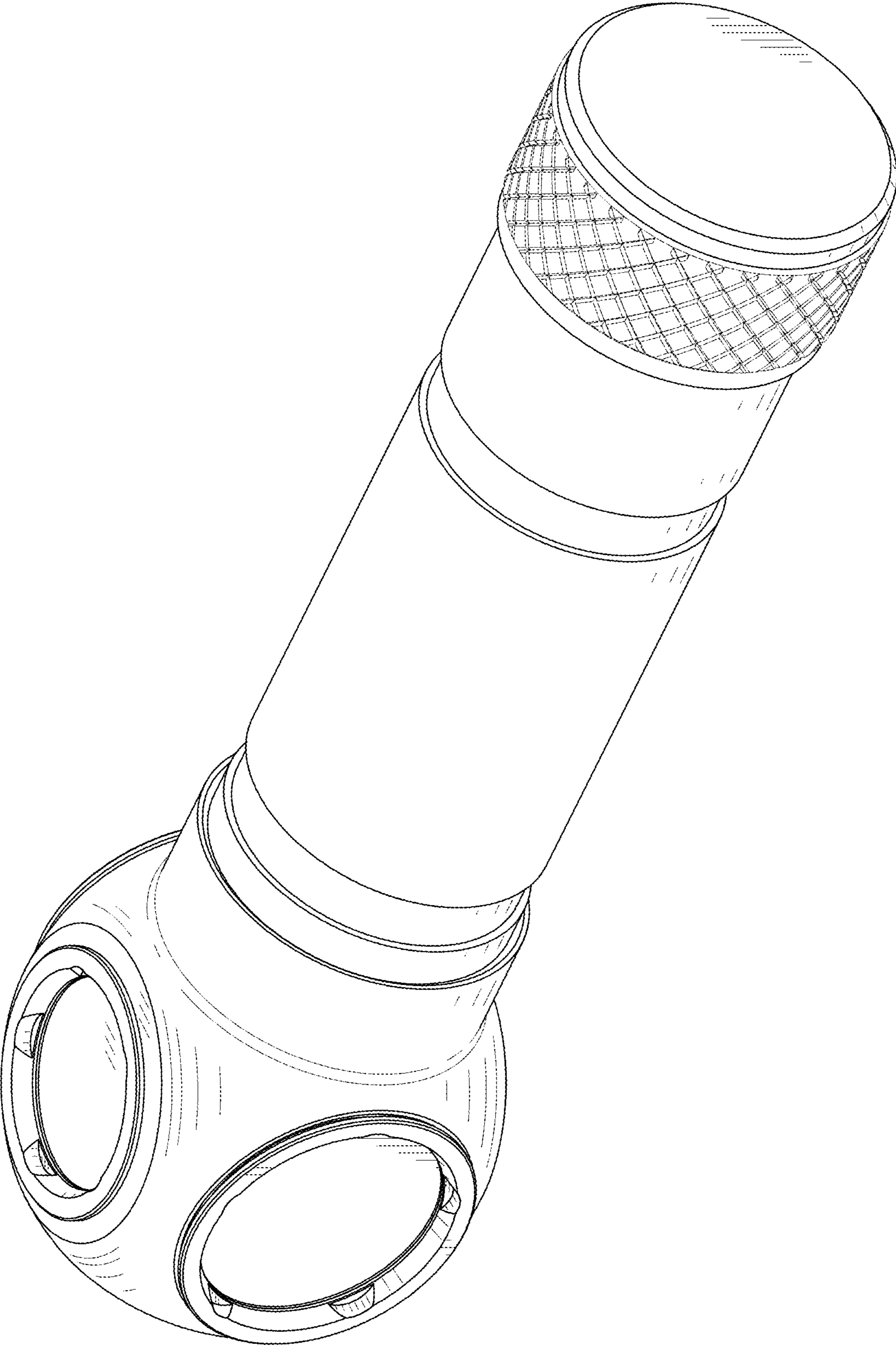


FIG. 39

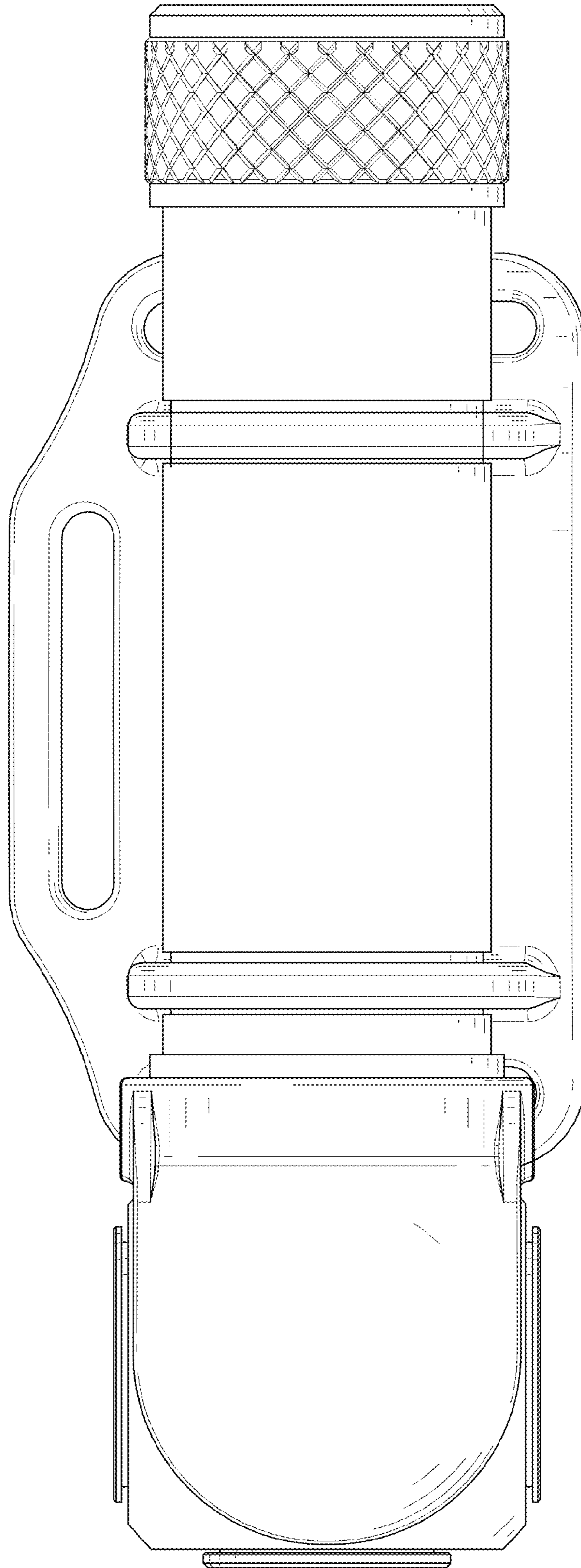


FIG. 40

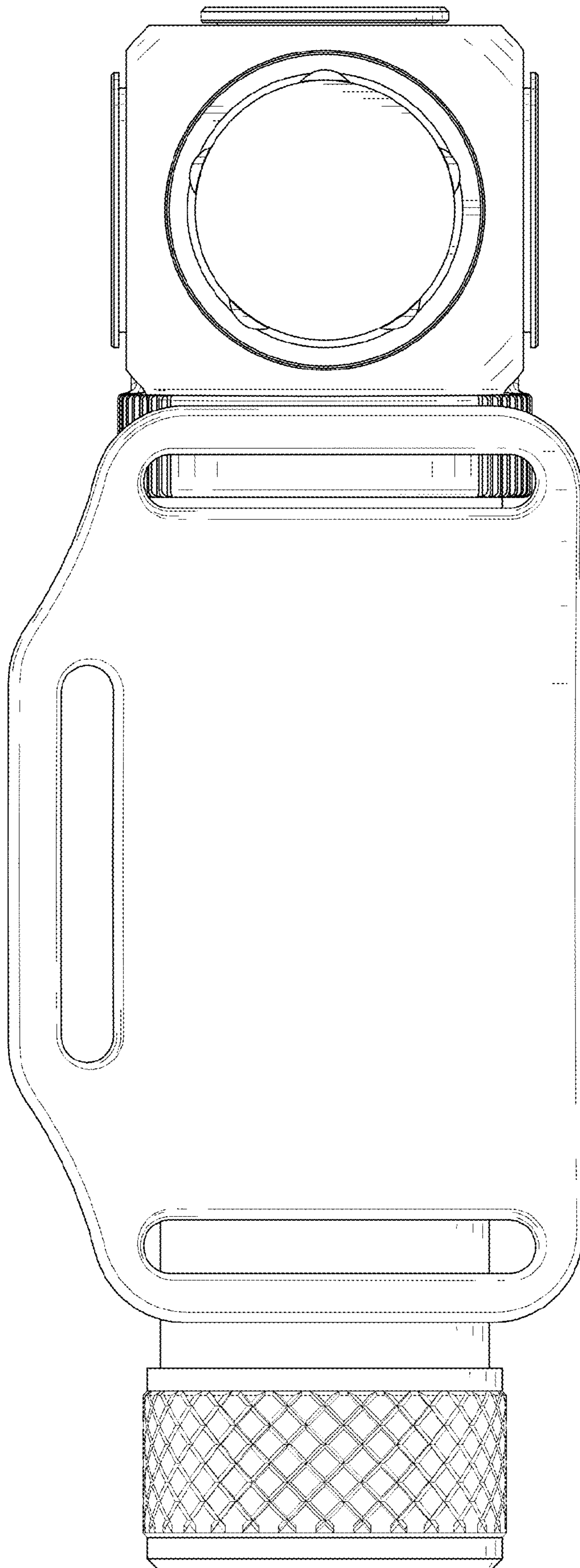


FIG. 41

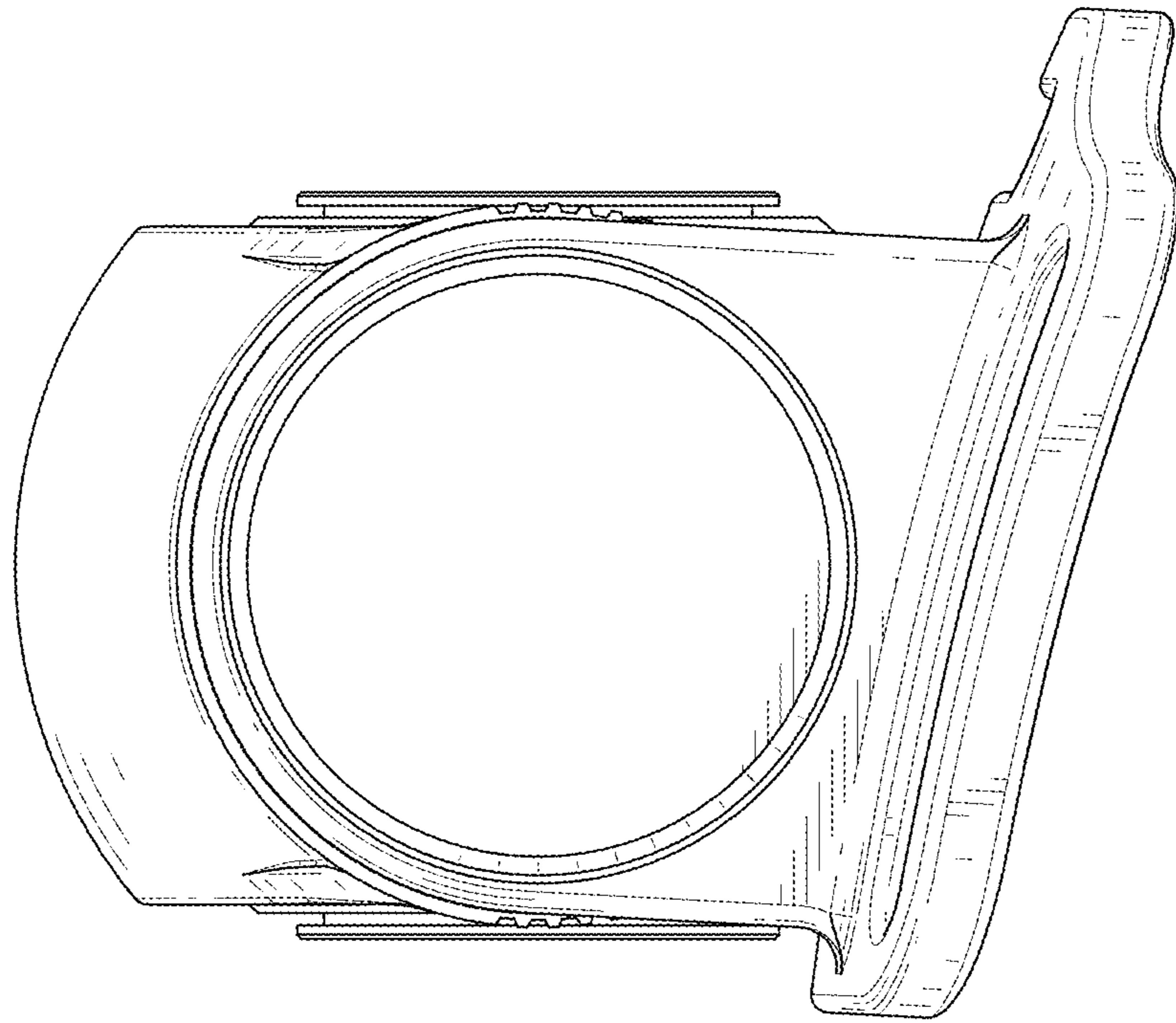


FIG. 42

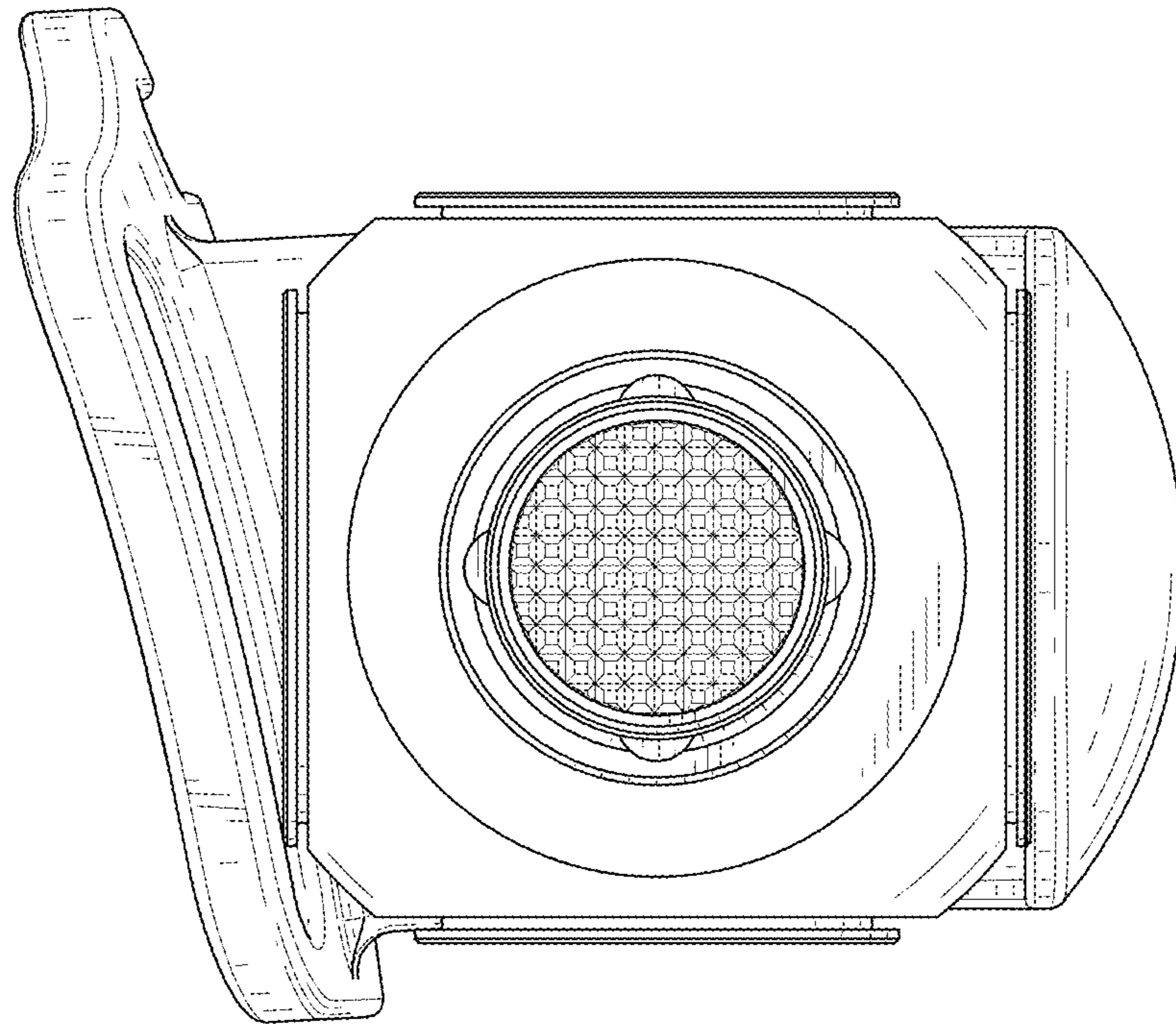


FIG. 43

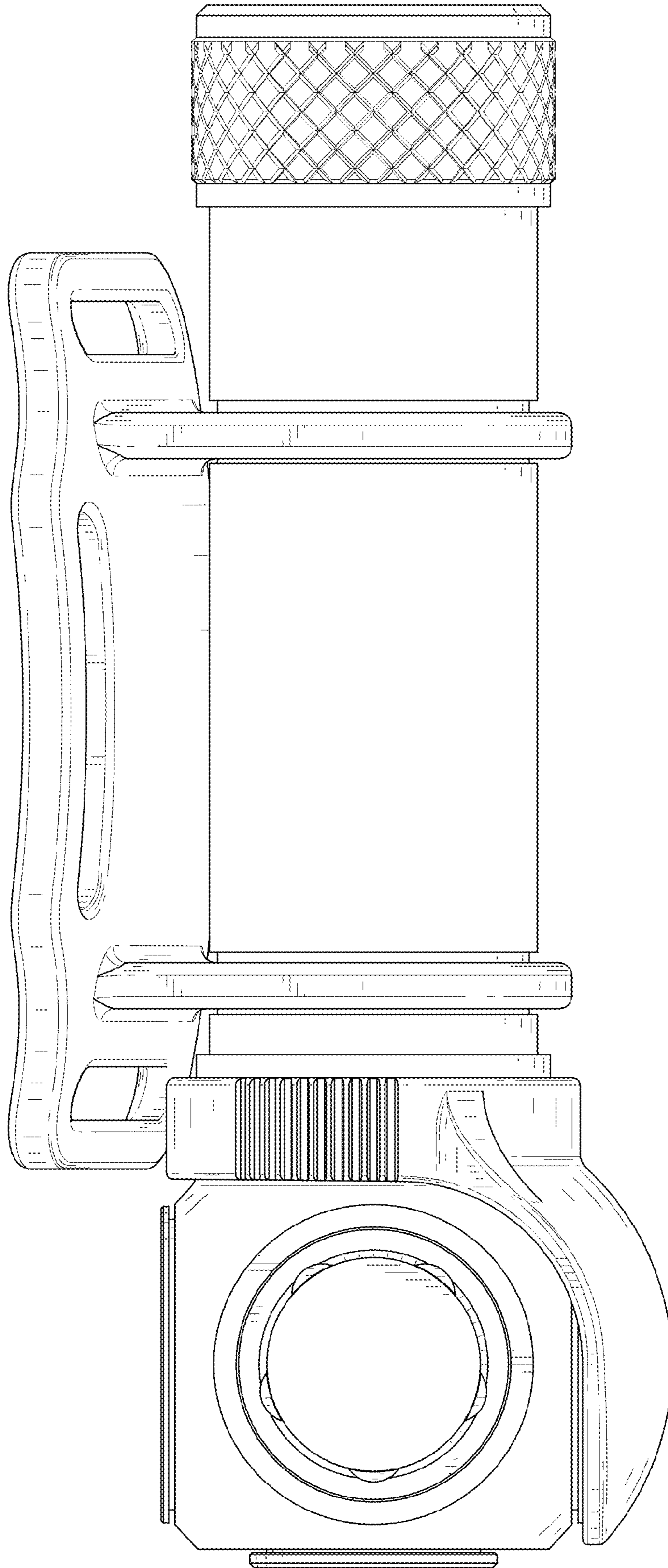


FIG. 44

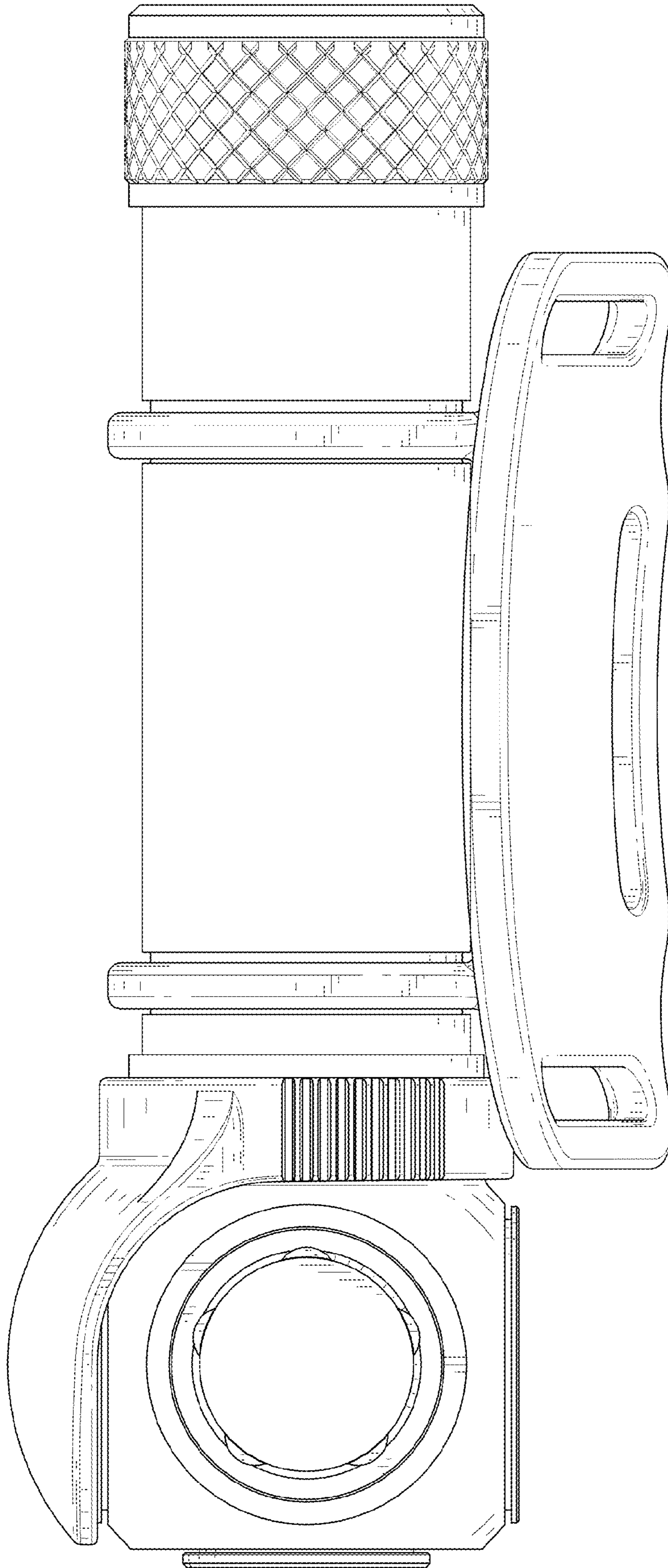


FIG. 45

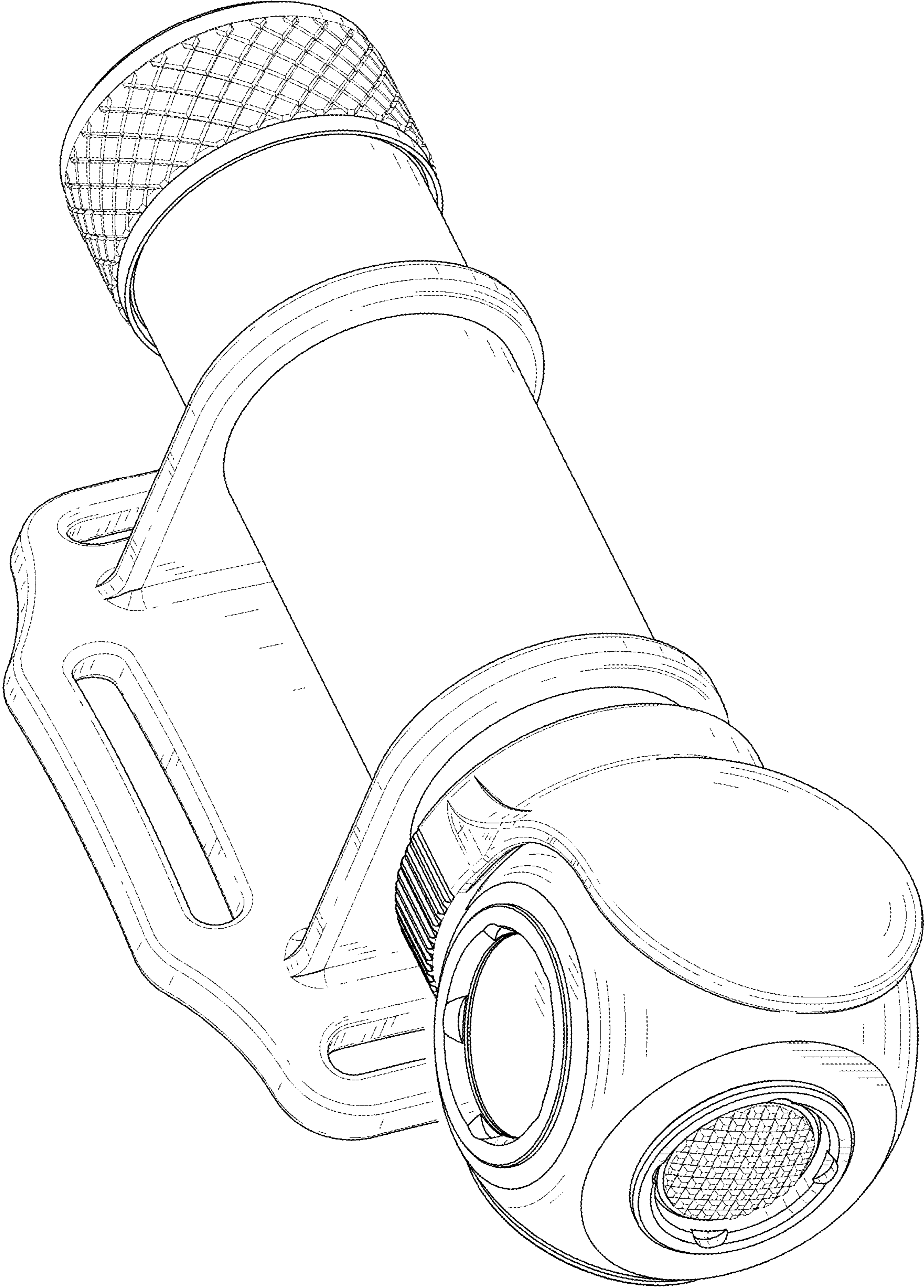


FIG. 46

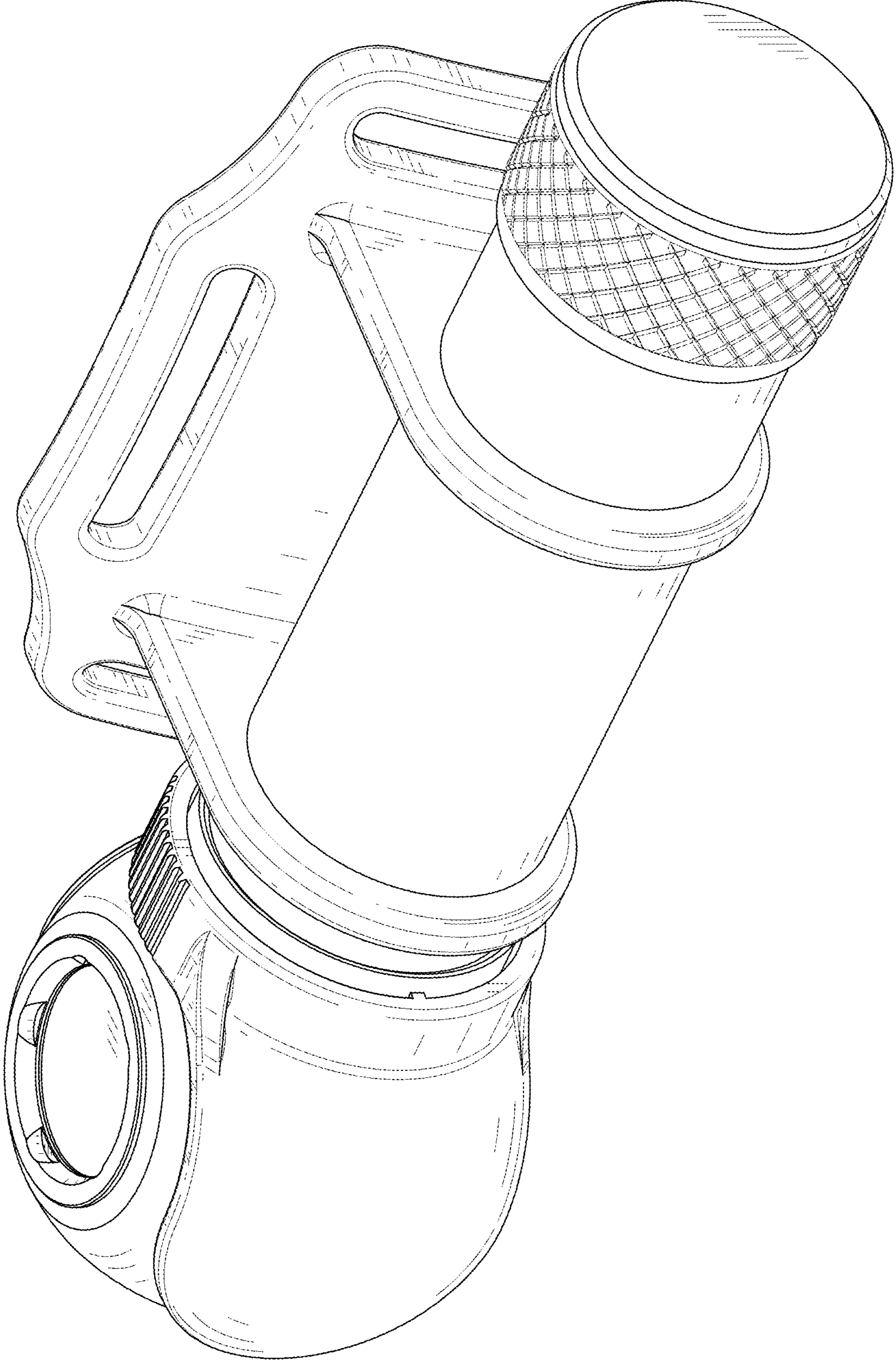


FIG. 47