



US00D941507S

(12) **United States Design Patent** (10) **Patent No.:** **US D941,507 S**
Du (45) **Date of Patent:** **** Jan. 18, 2022**

(54) **USB LIGHT STRING**

(71) Applicant: **Wen Du**, Xuzhou (CN)

(72) Inventor: **Wen Du**, Xuzhou (CN)

(**) Term: **15 Years**

(21) Appl. No.: **29/764,818**

(22) Filed: **Jan. 4, 2021**

(51) **LOC (13) Cl.** **26-04**

(52) **U.S. Cl.**
USPC **D26/25**

(58) **Field of Classification Search**
USPC D26/24, 118, 1, 25, 27, 37, 39, 110;
D13/134
CPC A44C 15/0015; A01G 5/04; F21S 2/00;
F21S 4/00; F21S 4/10; F21S 4/15; F21S
4/20; F21K 9/00; F21V 21/00; F21V
33/008; F21W 2121/00; F21W 2121/04;
G02B 6/0006; G02B 6/0008; G02B
6/001; G02B 6/4298

See application file for complete search history.

(56) **References Cited**

U.S. PATENT DOCUMENTS

D345,430	S	*	3/1994	Ridgeway	D26/25
5,994,845	A	*	11/1999	Gibboney, Jr.	H02H 9/02 315/185 R
D565,209	S		3/2008	Van Dyn Hoven		
D582,851	S	*	12/2008	Lavy	H05B 45/20 D13/133
8,905,581	B1	*	12/2014	Pan	F21V 19/002 362/249.08
D741,519	S	*	10/2015	Wang	D26/2
D825,793	S		8/2018	Lentz et al.		
D880,022	S	*	3/2020	Gong	D26/25
D889,696	S		7/2020	Cao		
D908,933	S	*	1/2021	Wu	D26/25

(Continued)

OTHER PUBLICATIONS

Novolink 50 ft String Lights, Nov. 23, 2017, The Home Depot, site visited Sep. 23, 2021, url: <https://www.homedepot.com/p/Novolink-50-ft-200-Light-Mini-Globe-Cool-White-LED-String-Lights-SL-200-8-TC-CW/303685671#overlay> (Year: 2017).*

(Continued)

Primary Examiner — T Chase Nelson
Assistant Examiner — Rachel Wolfe

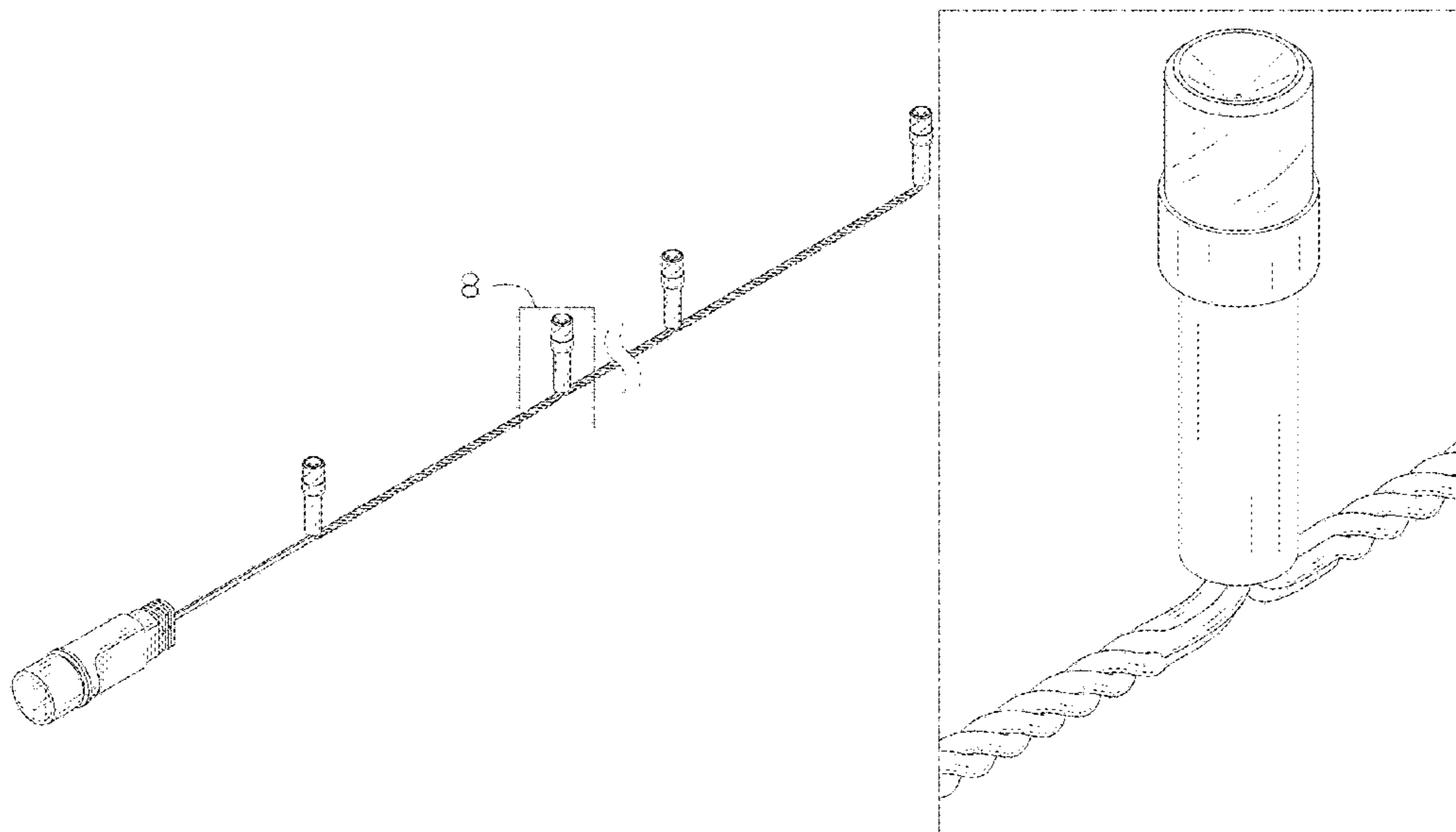
(57) **CLAIM**

The ornamental design for a USB light string, as shown and described.

DESCRIPTION

FIG. 1 is a perspective view of a USB light string showing my new design;
FIG. 2 is a front view thereof;
FIG. 3 is a back view thereof;
FIG. 4 is a left side view thereof;
FIG. 5 is a right side view thereof;
FIG. 6 is a top view thereof;
FIG. 7 is a bottom view thereof;
FIG. 8 is an enlarged view of the selected portion in FIG. 1; and,
FIG. 9 is an enlarged view of the selected portion in FIG. 6.
The broken lines shown in the drawings depict portions of the USB light string in which the design is embodied that form no part of the claimed design.
Symbolic break lines, also shown in broken line, appear in the length of the USB light string. The break lines, as well as the appearance of any portion of the USB light string between the break lines, form no part of the claimed design.
The broken lines of alternating length in FIGS. 1, 6, 8, and 9 are for the purpose of illustrating the boundaries of the enlarged fragments shown in FIGS. 8 and 9 and also form no part of the claimed design.

1 Claim, 9 Drawing Sheets



(56)

References Cited

U.S. PATENT DOCUMENTS

D910,216 S * 2/2021 Liu D26/25
D914,253 S * 3/2021 Kuang D26/25
D915,643 S * 4/2021 Liang H02H 9/02
D26/25
D917,083 S * 4/2021 Zhou F21V 23/001
D26/25
D917,741 S * 4/2021 Kuang D26/25
D918,438 S * 5/2021 Lentz D26/25
D919,131 S * 5/2021 Yang D26/25
D919,132 S * 5/2021 Du H05B 45/34
D26/25
D924,448 S * 7/2021 Zhou D26/21
D924,449 S * 7/2021 Zhang D26/25
D925,783 S * 7/2021 Xiao D26/25
2007/0008724 A1 * 1/2007 Raska F21S 4/20
362/249.16
2017/0284614 A1 * 10/2017 Pan F21V 23/001
2018/0376551 A1 * 12/2018 Wang H05B 45/34
2020/0200343 A1 * 6/2020 Chen H05B 45/20

OTHER PUBLICATIONS

Haili 105ft 300 LEDs Christmas String Light, Nov. 29, 2018, Amazon.ca, site visited Sep. 22, 2021, url: <https://www.amazon.ca/dp/B07KT1GKT9> (Year: 2018).*

Ledljus LED string light, Oct. 23, 2018, IKEA, site visited Aug. 16, 2021, url: <https://www.ikea.com/us/en/p/ledljus-led-string-light-with-64-lights-outdoor-black-80357454/> (Year: 2018).*

Yuletide Color Changing LED String Lights, Sep. 29, 2020, Amazon.com, site visited Sep. 23, 2021, url: <https://www.amazon.com/dp/B08KDG7YTZ?th=1> (Year: 2020).*

* cited by examiner

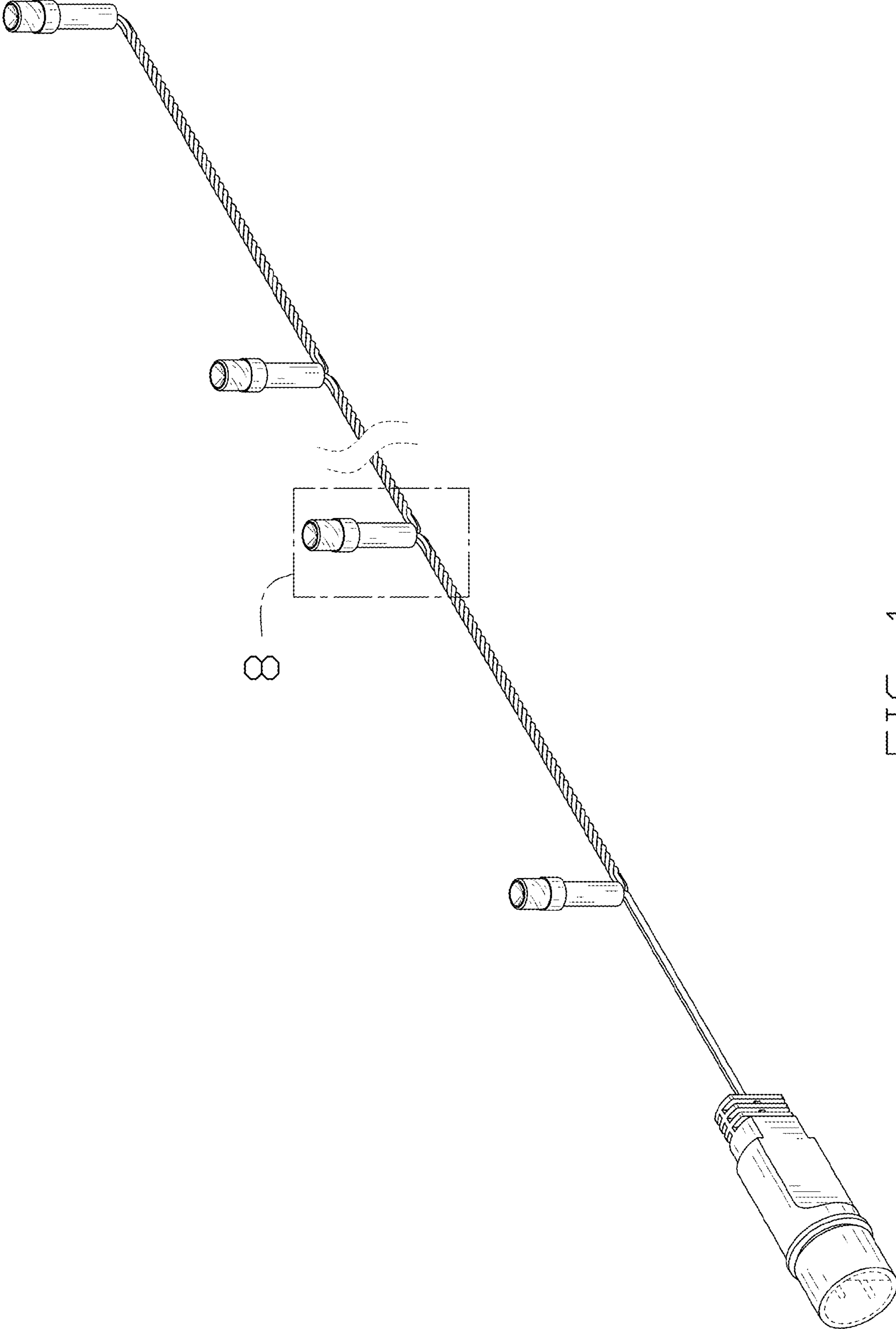


FIG. 1

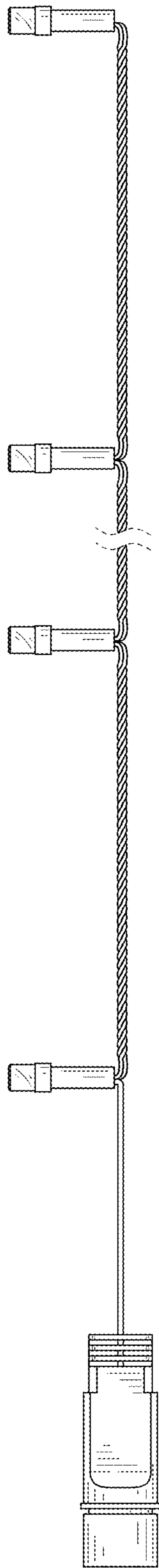


FIG. 2

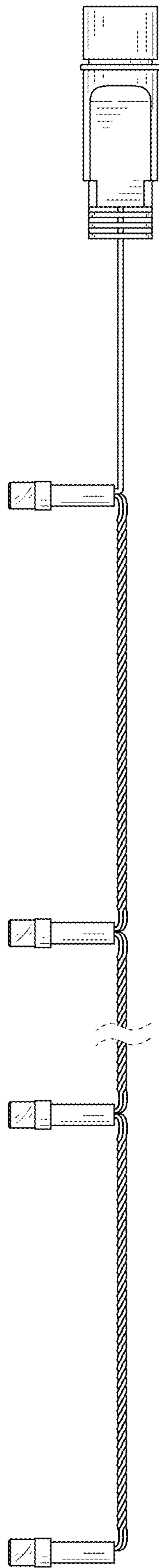


FIG. 3

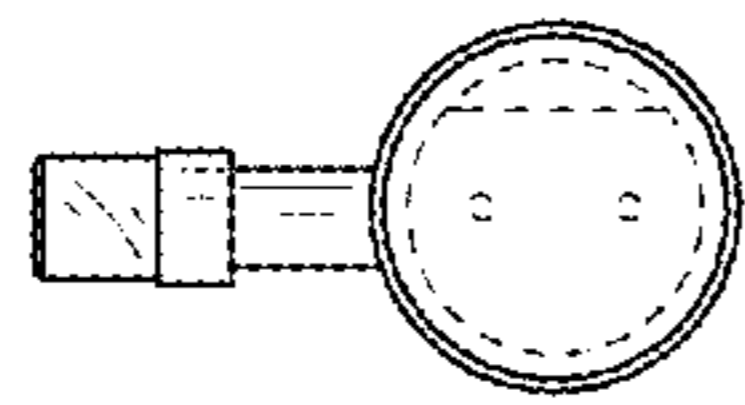


FIG. 4

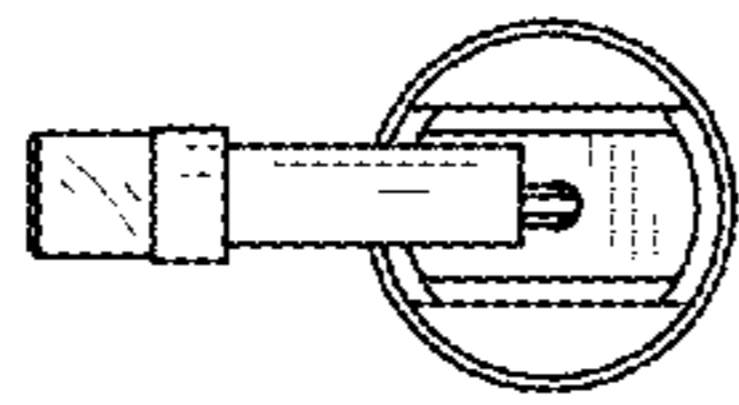


FIG. 5

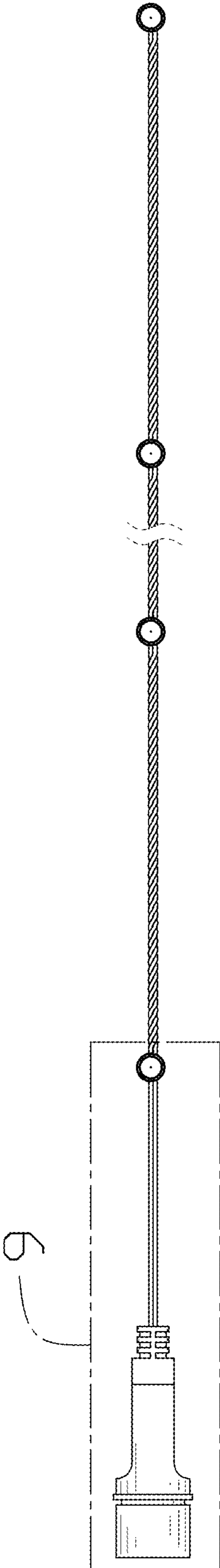


FIG. 6

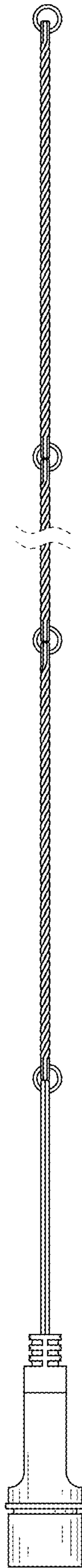


FIG. 7

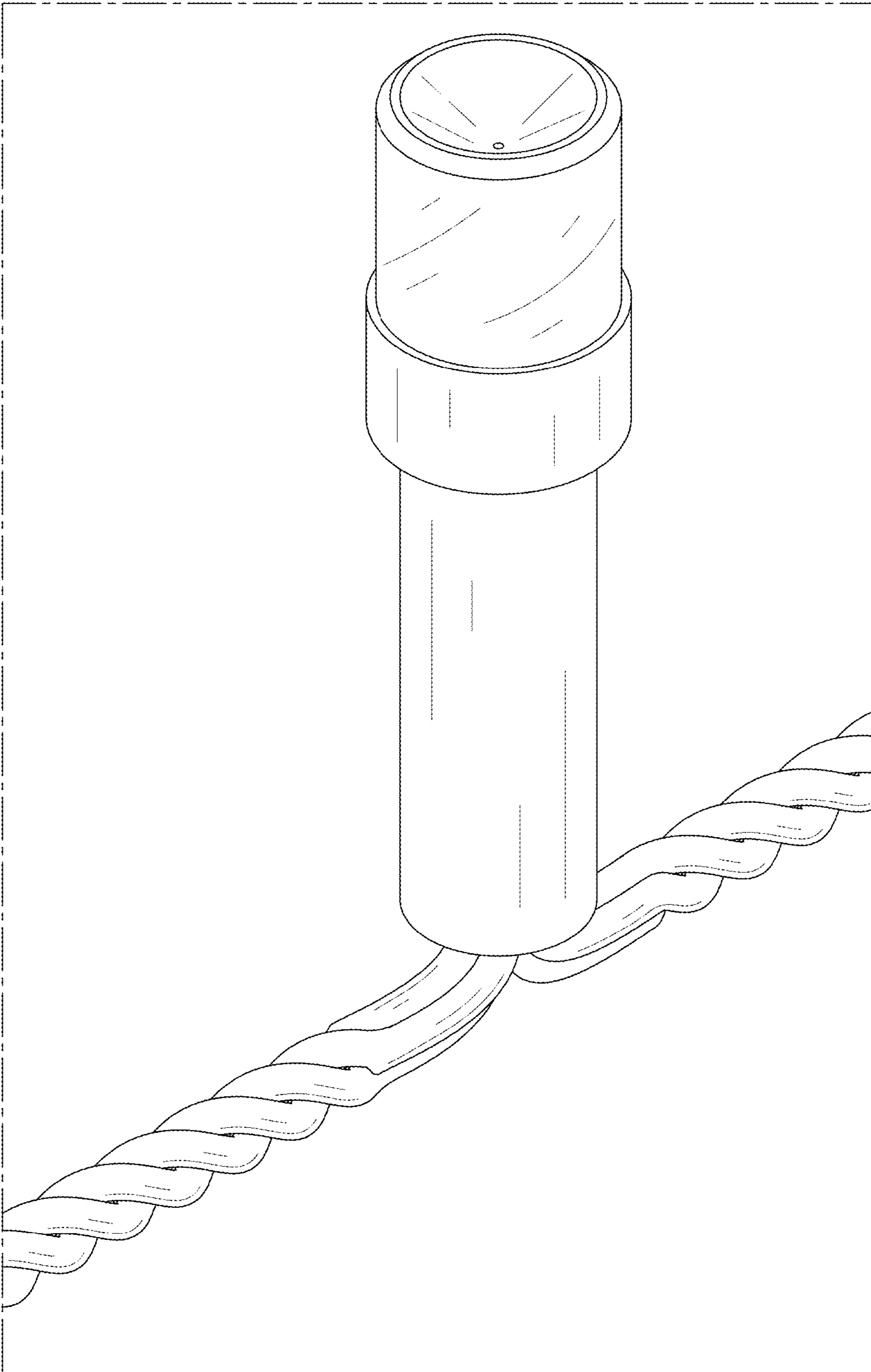


FIG. 8

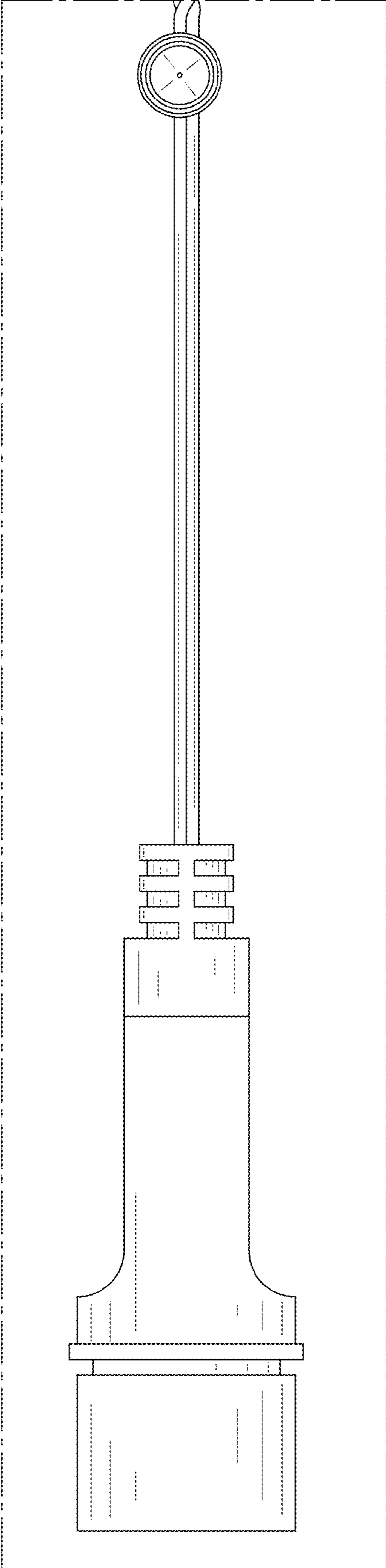


FIG. 9