



US00D941504S

(12) **United States Design Patent** (10) **Patent No.:** **US D941,504 S**
Jones (45) **Date of Patent:** **** Jan. 18, 2022**

(54) **ABRASION-RESISTANT CUTTABLE SELF-ADHESIVE INDUSTRIAL TILE**

(71) Applicant: **Unmatched Bonding Company, LLC**, Fort Worth, TX (US)

(72) Inventor: **Ryan Michael Jones**, Colbert, WA (US)

(73) Assignee: **Unmatched Bonding Limited**, Fort Worth, TX (US)

(**) Term: **15 Years**

(21) Appl. No.: **29/747,705**

(22) Filed: **Aug. 25, 2020**

(51) **LOC (13) Cl.** **25-01**

(52) **U.S. Cl.**
USPC **D25/158**

(58) **Field of Classification Search**
USPC D25/138, 157, 158, 159, 163
CPC E04F 15/08; E04F 15/02172; E04F 15/02183; E04F 15/02188; E04F 15/02405; E04F 2203/02; E04F 2203/06; E04F 19/10; Y10T 428/28
See application file for complete search history.

(56) **References Cited**

U.S. PATENT DOCUMENTS

- 2,741,909 A * 4/1956 Hartlmair E04C 2/041 52/384
- 5,816,005 A * 10/1998 Han B32B 9/005 52/391
- 5,867,236 A 2/1999 Babuka et al.
- D455,503 S * 4/2002 Heltzer D25/158
- 6,519,902 B1 * 2/2003 Scissom E04F 15/02405 52/126.4
- 6,665,996 B2 * 12/2003 Chang E04F 15/02405 52/308
- D509,604 S 9/2005 Zarifian
- D581,553 S * 11/2008 Cooper D25/163

- D610,270 S 2/2010 Li
 - 8,291,670 B2 * 10/2012 Gard E04C 2/42 52/662
 - D679,031 S * 3/2013 Amend D25/163
 - D703,347 S 4/2014 Masanek
 - D707,858 S 6/2014 Choi
 - 9,180,640 B2 11/2015 Masanek, Jr. et al.
 - 9,297,167 B1 3/2016 Stockton
 - D780,075 S 2/2017 Clement et al.
 - 9,863,155 B2 1/2018 Cerny et al.
 - 9,962,878 B2 * 5/2018 Hassan E04F 15/22
- (Continued)

FOREIGN PATENT DOCUMENTS

WO 2020005730 1/2020

Primary Examiner — Doris Clark

(74) *Attorney, Agent, or Firm* — 24IP Law Group USA, PLLC; Timothy Dewitt

(57) **CLAIM**

The ornamental design for an abrasion-resistant cuttable self-adhesive industrial tile, as shown and described.

DESCRIPTION

FIG. 1 is a front perspective view of the abrasion-resistant cuttable self-adhesive industrial tile;

FIG. 2 is a front view of the abrasion-resistant cuttable self-adhesive industrial tile;

FIG. 3 is a rear view of the abrasion-resistant cuttable self-adhesive industrial tile;

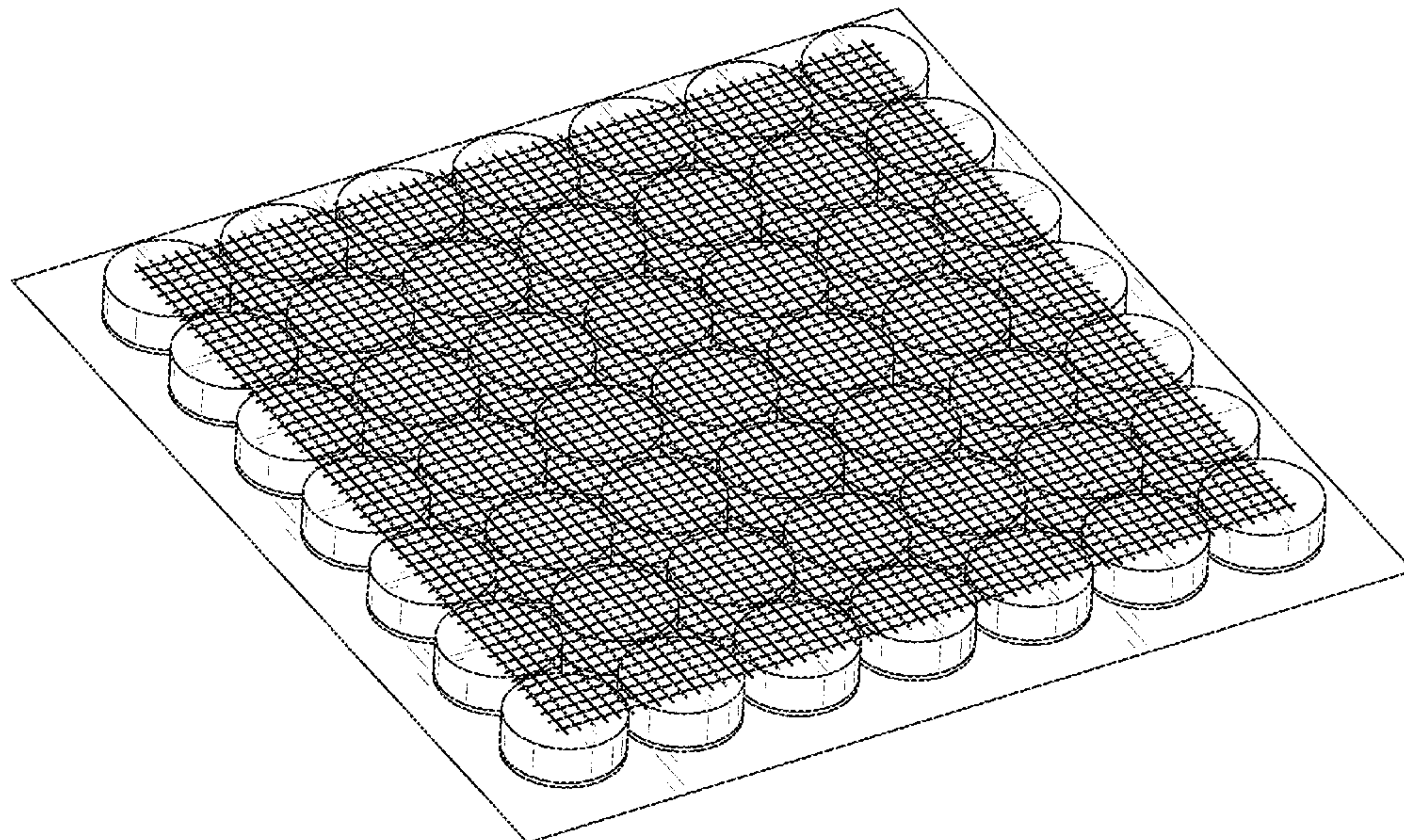
FIG. 4 is a bottom view of the abrasion-resistant cuttable self-adhesive industrial tile;

FIG. 5 is a top view of the abrasion-resistant cuttable self-adhesive industrial tile;

FIG. 6 is a left view of the abrasion-resistant cuttable self-adhesive industrial tile; and,

FIG. 7 is a right view of the abrasion-resistant cuttable self-adhesive industrial tile.

1 Claim, 5 Drawing Sheets



(56)

References Cited

U.S. PATENT DOCUMENTS

D825,082 S	7/2018	Darrow et al.
10,487,493 B2	11/2019	Collins et al.
D887,031 S	6/2020	Jones
D894,431 S	8/2020	Jones
D895,160 S	9/2020	Jowell

* cited by examiner

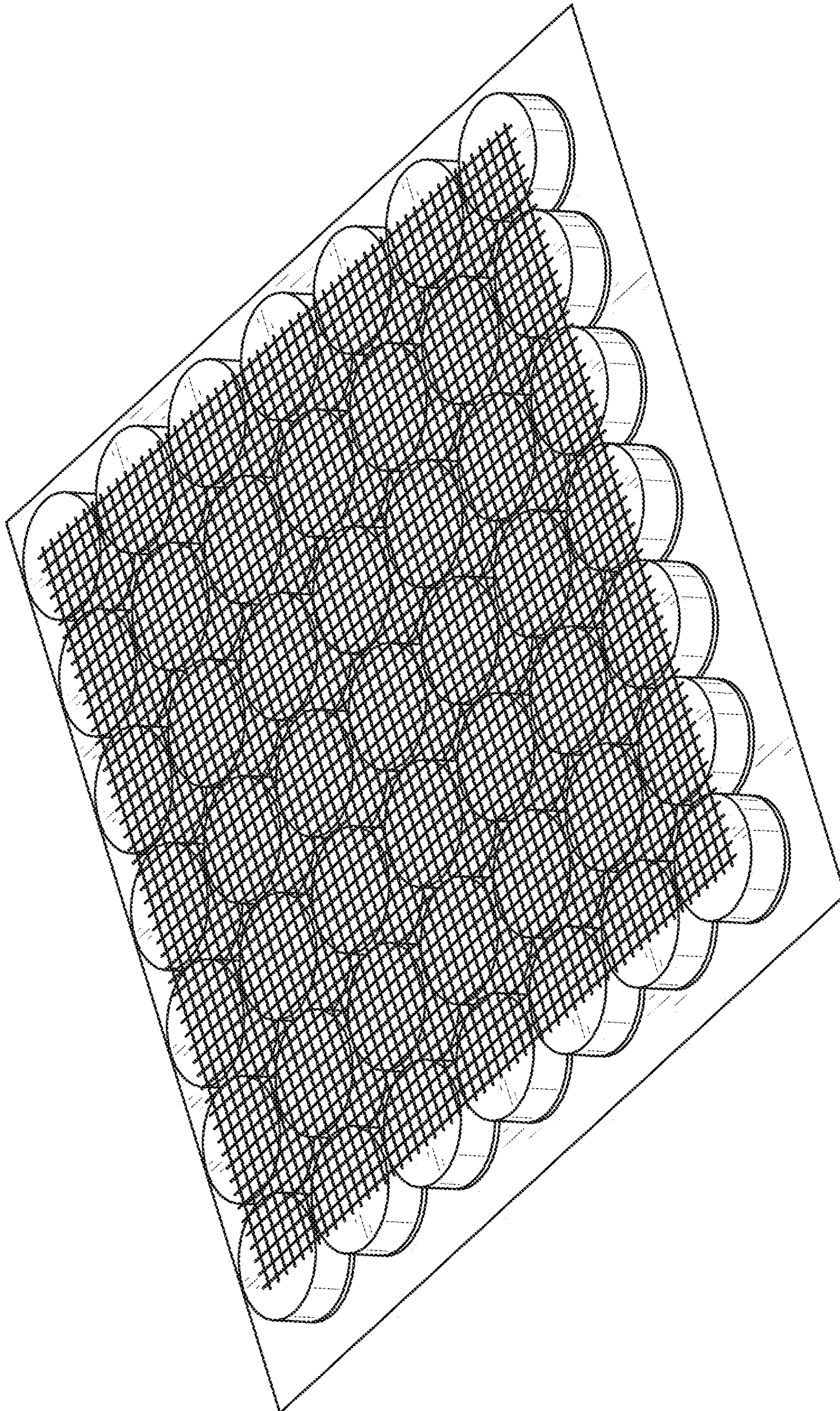


FIG. 1

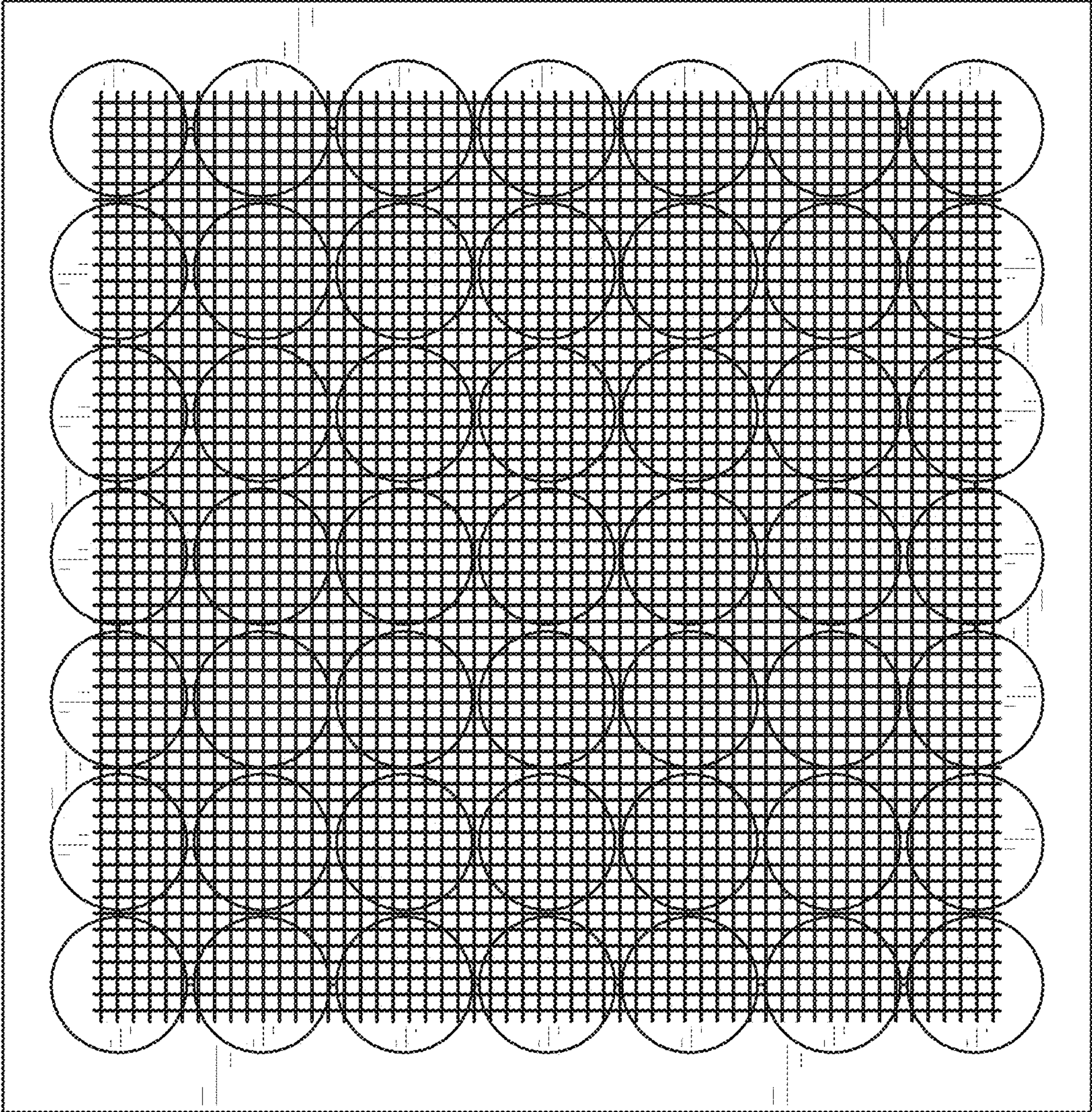


FIG. 2

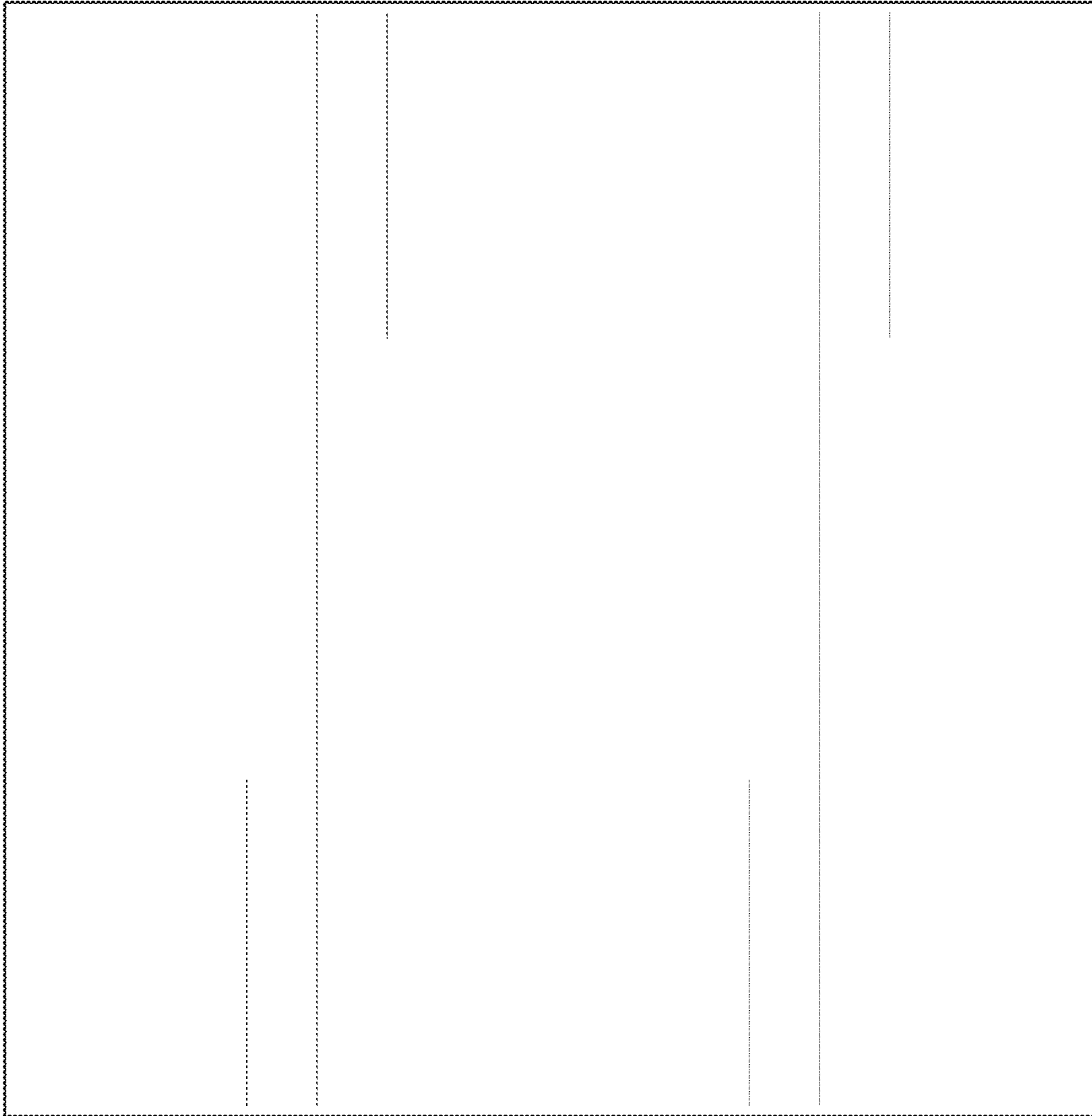


FIG. 3



FIG. 4



FIG. 5

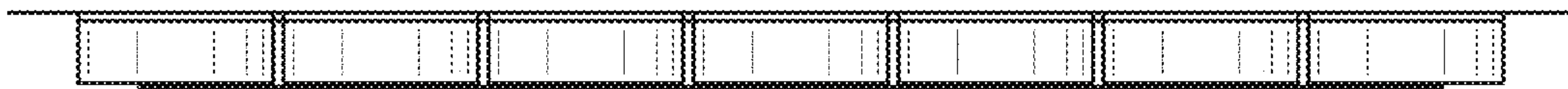


FIG. 6

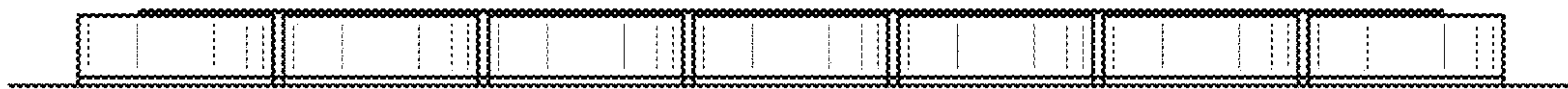


FIG. 7