



US00D941501S

(12) **United States Design Patent**
Gunderson

(10) **Patent No.:** **US D941,501 S**
(45) **Date of Patent:** **** Jan. 18, 2022**

(54) **BUILDING CLADDING PANEL END UNIT**

(71) Applicant: **CHAMELEON HOLDINGS LTD.,**
Edmonton (CA)

(72) Inventor: **Amber Yvonne Gunderson,** Sturgeon
County (CA)

(73) Assignee: **CHAMELEON HOLDING LTD,**
Edmonton (CA)

(**) Term: **15 Years**

(21) Appl. No.: **29/727,226**

(22) Filed: **Mar. 9, 2020**

(30) **Foreign Application Priority Data**

Jan. 14, 2020 (CA) CA 192445

(51) **LOC (13) Cl.** **25-01**

(52) **U.S. Cl.**
USPC **D25/138**

(58) **Field of Classification Search**

USPC D25/138, 139
CPC E04C 2/00; E04C 2/02; E04C 2/30; E04C
2/384; E04C 2/38; E04C 2/08; E04C
2/543; E04C 2/40; E04C 2002/004; E04C
2002/001; E04C 2002/005; E04F 13/077;
E04F 13/075; E04F 13/076; E04F
13/0867; E04F 13/073; E04F 13/0733;
E04F 13/00; E04F 13/007; E04F 13/07;
E04F 13/072; E04B 1/7069; E04B 1/7076
See application file for complete search history.

(56) **References Cited**

U.S. PATENT DOCUMENTS

D366,943 S * 2/1996 Sheehy D25/138
D373,836 S * 9/1996 Bado D25/138

D533,950 S * 12/2006 Givoni D25/138
D603,066 S * 10/2009 Warren D25/138
7,681,362 B1 * 3/2010 Averitt E04B 1/34342
52/169.12
7,900,414 B2 * 3/2011 Seccombe E04D 3/363
52/478
8,769,904 B1 * 7/2014 Brandt E04F 15/02038
52/588.1
8,850,761 B2 * 10/2014 Aschauer E04B 1/7069
52/209
9,127,451 B1 * 9/2015 Boor E04F 13/22
9,260,864 B2 * 2/2016 Cole B32B 3/085
D767,797 S * 9/2016 Birol D25/138
10,132,087 B2 * 11/2018 Nelson B32B 9/045

* cited by examiner

Primary Examiner — Doris Clark

(74) *Attorney, Agent, or Firm* — Jason P. Webb; Pearson
Butler

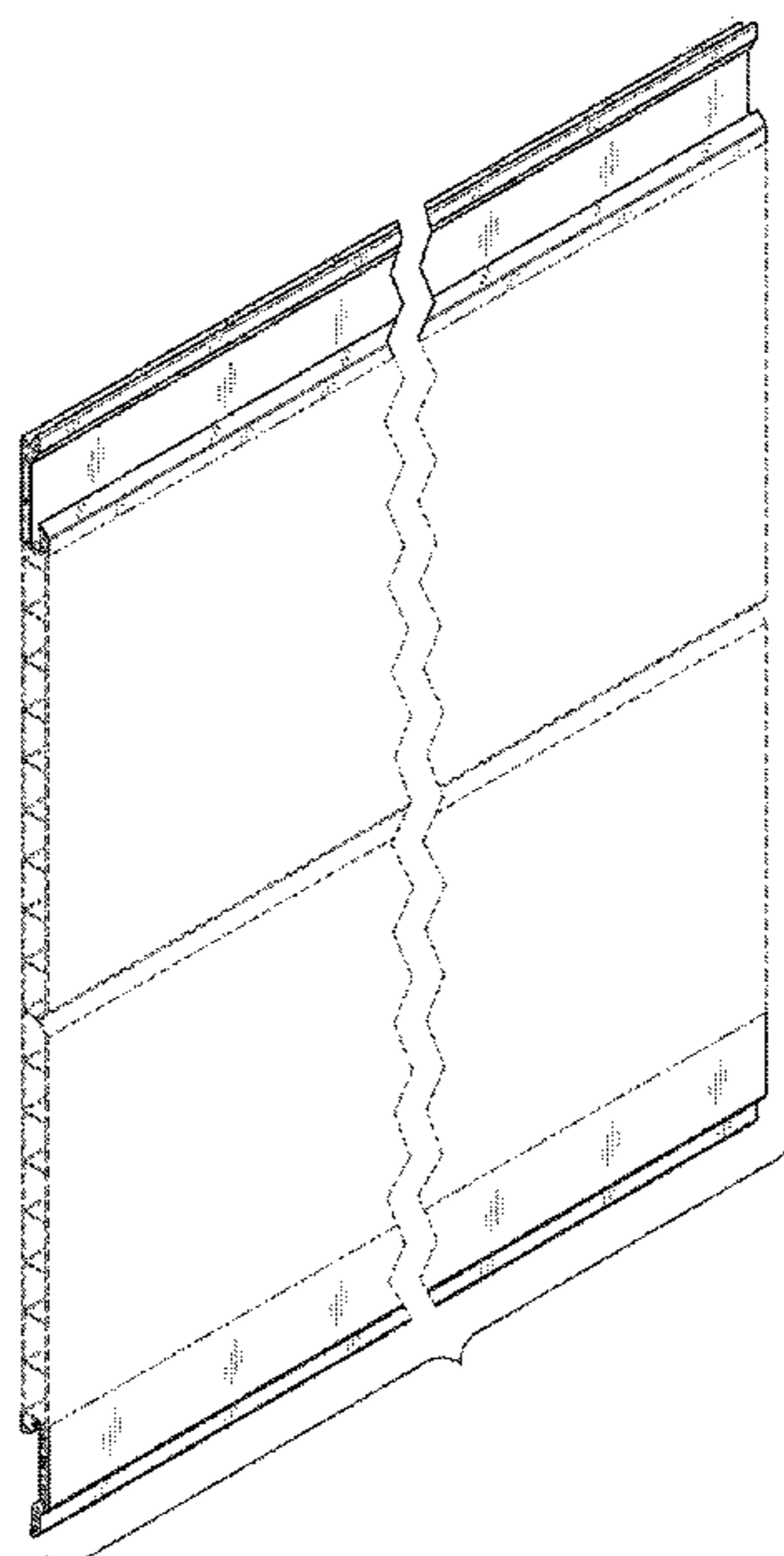
(57) **CLAIM**

The ornamental design for a building cladding panel end
unit, as shown and described.

DESCRIPTION

FIG. 1 is a top front left perspective view of a building
cladding panel end unit showing my new design;
FIG. 2 is a front elevation view of the design shown in FIG.
1;
FIG. 3 is a rear elevation view of the design shown in FIG.
1;
FIG. 4 is a left end view of the design shown in FIG. 1;
FIG. 5 is a right end view of the design shown in FIG. 1;
FIG. 6 is a top plan view of the design shown in FIG. 1; and,
FIG. 7 is a bottom plan view of the design shown in FIG. 1.
The broken lines shown in the figures are included for the
purpose of illustrating portions of the building cladding
panel end unit and form no part of the claimed design.

1 Claim, 5 Drawing Sheets



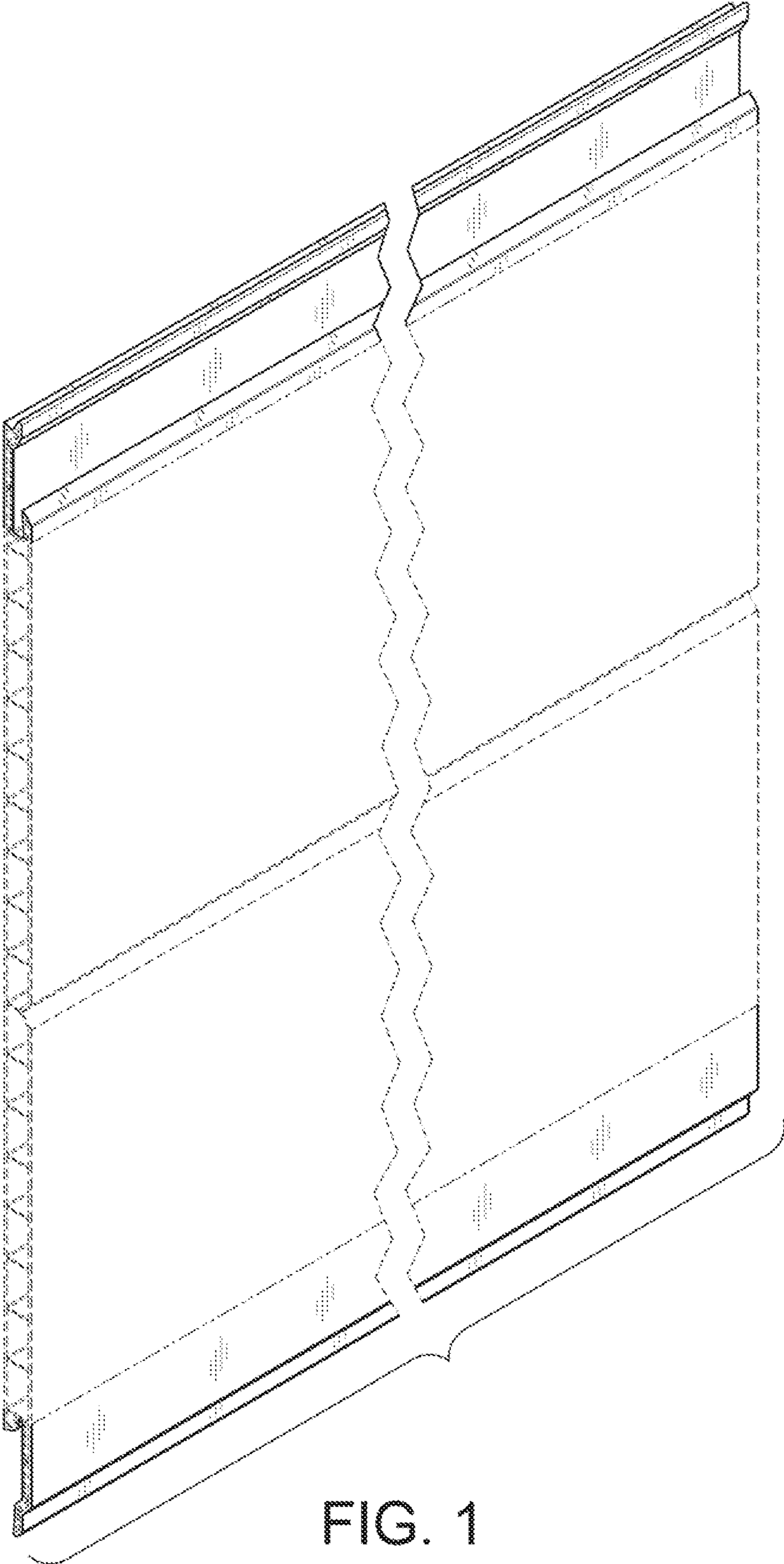


FIG. 1

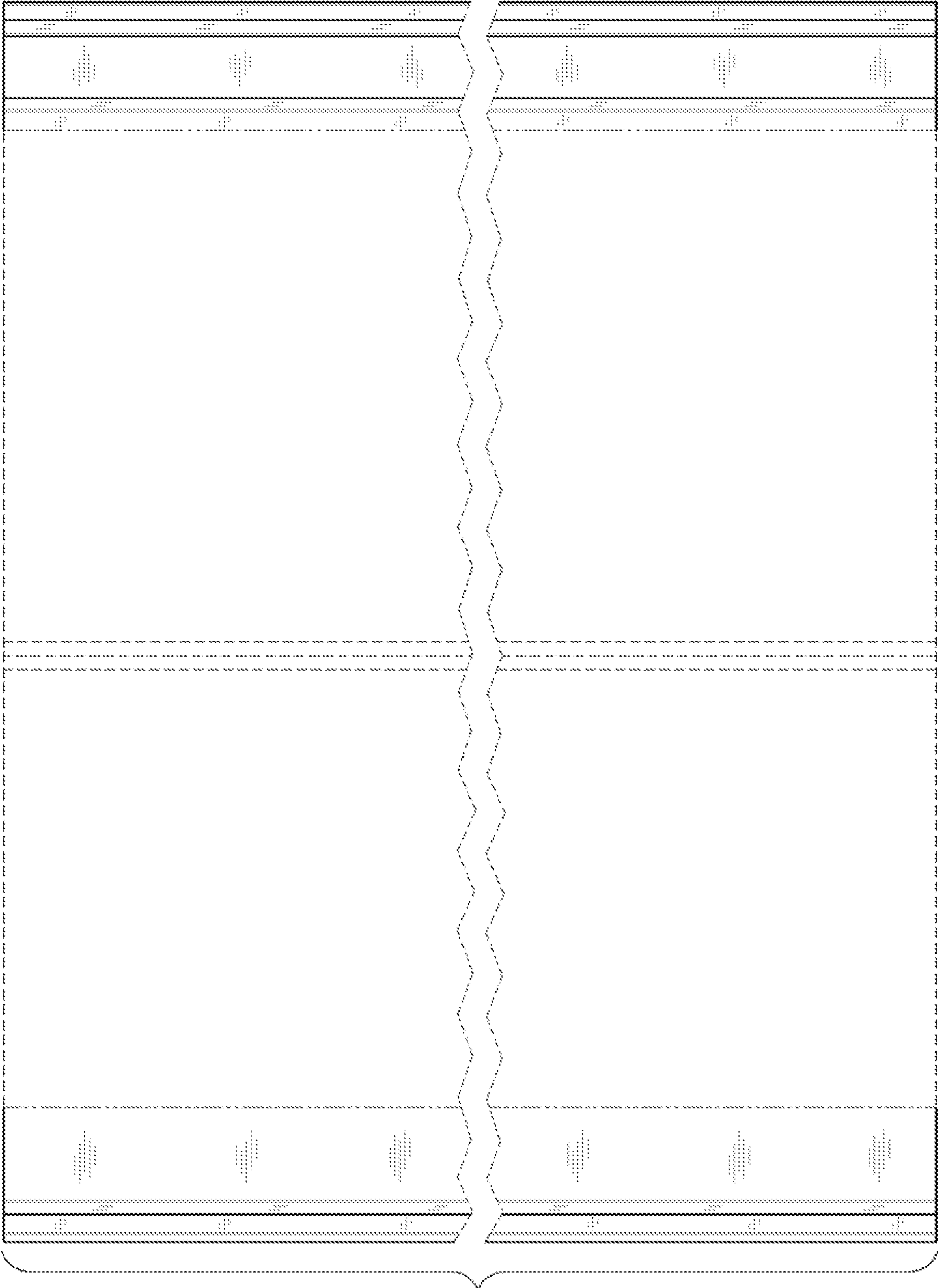


FIG. 2

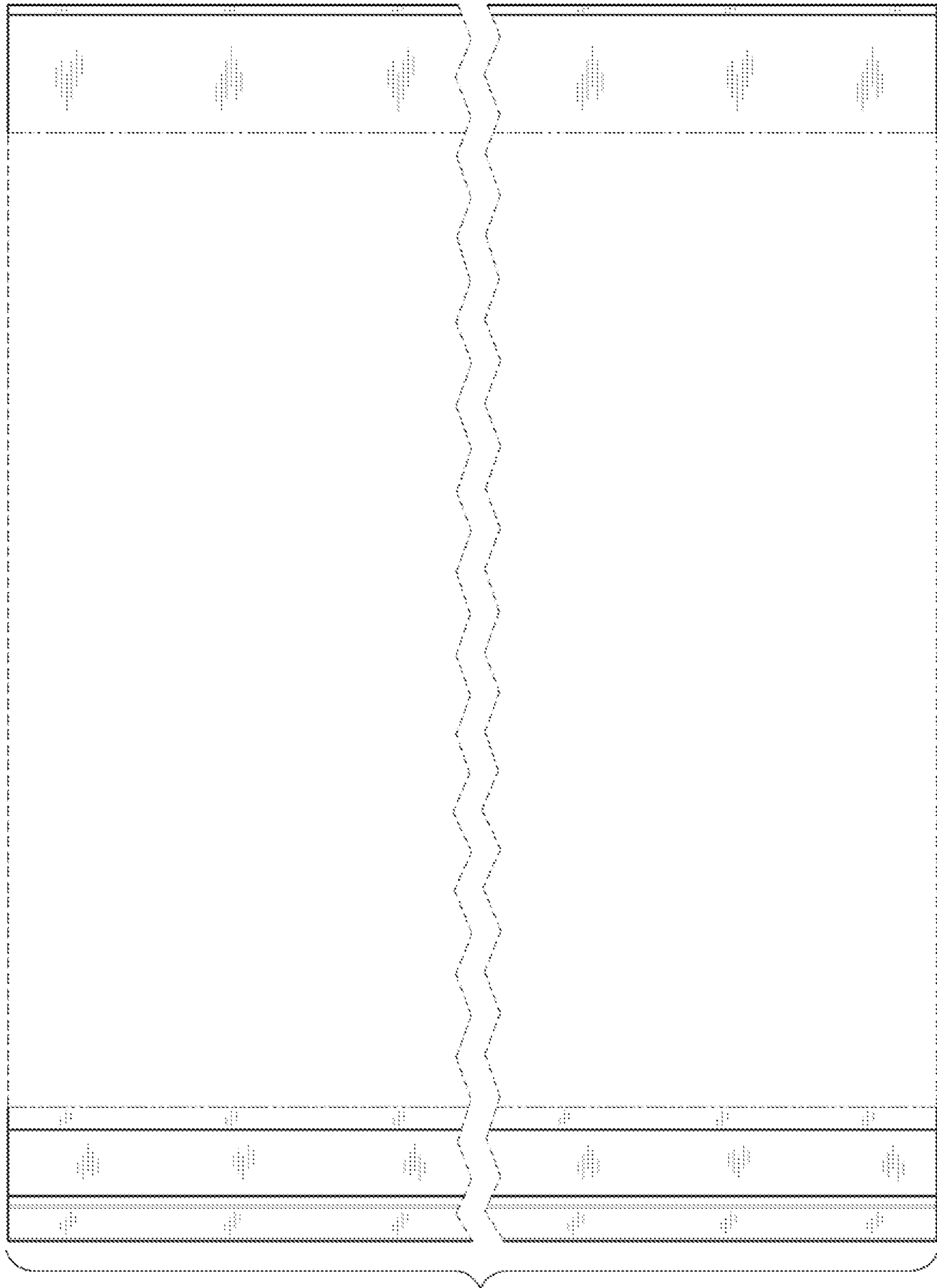


FIG. 3

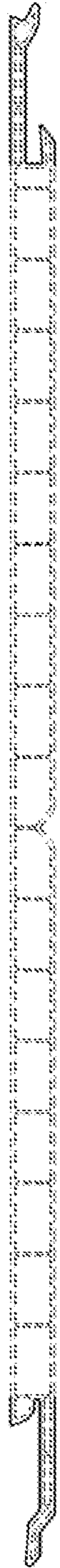


FIG. 4

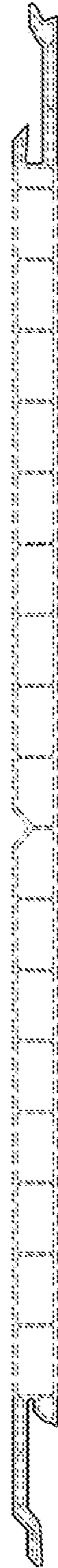


FIG. 5

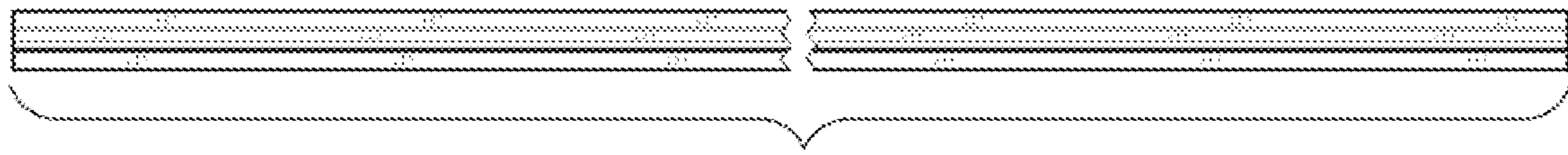


FIG. 6

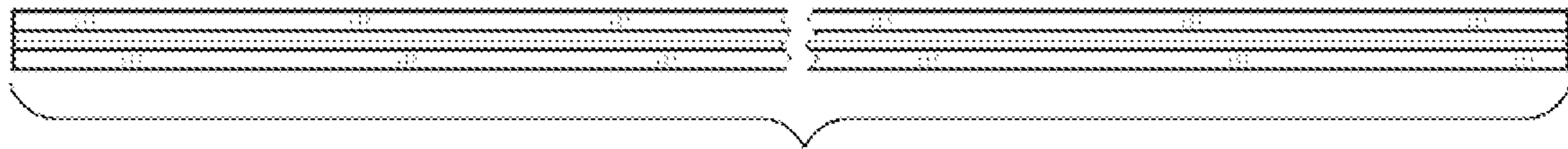


FIG. 7