

US00D941499S

(12) **United States Design Patent** (10) **Patent No.:** **US D941,499 S**
Hendry (45) **Date of Patent:** **** Jan. 18, 2022**

(54) **T-BRACKET FOR A SCREEN ENCLOSURE ASSEMBLY**

(71) Applicant: **Thomas G. Hendry**, Lehigh Acres, FL (US)

(72) Inventor: **Thomas G. Hendry**, Lehigh Acres, FL (US)

(**) Term: **15 Years**

(21) Appl. No.: **29/637,972**

(22) Filed: **Feb. 23, 2018**

(51) **LOC (13) Cl.** **25-01**

(52) **U.S. Cl.**
 USPC **D25/134**

(58) **Field of Classification Search**
 USPC D25/125-136; D8/307, 310, 313, 316, D8/317, 321, 322, 349, 354, 356, 380, D8/383, 384, 403; D21/468, 471, 478, D21/479; D3/10
 CPC E04C 2003/0421; E04C 2003/0434; E04C 2003/0452; E04C 3/06; E04C 2003/023; E04C 2003/0413; E04C 3/14; B32B 15/043; B32B 2419/00; B32B 2607/00; B32B 2607/02; E04B 1/5812; E04B 2001/2457; E04B 1/3426; E04B 2001/5856; E04B 2001/5875; E04B 1/19; E04B 1/24; E04B 1/41; E04H 12/2238; E04H 12/2246; E04H 12/2269; E04H 17/20; E04H 17/22; E04H 17/18; E04H 1/00; E04H 15/34; E04H 15/646; E04H 12/22; E01F 9/692; E04F 13/12; E04F 13/0889; Y10T 403/349; Y10T 403/341; Y10T 403/347; Y10S 135/909; E06B 9/52

See application file for complete search history.

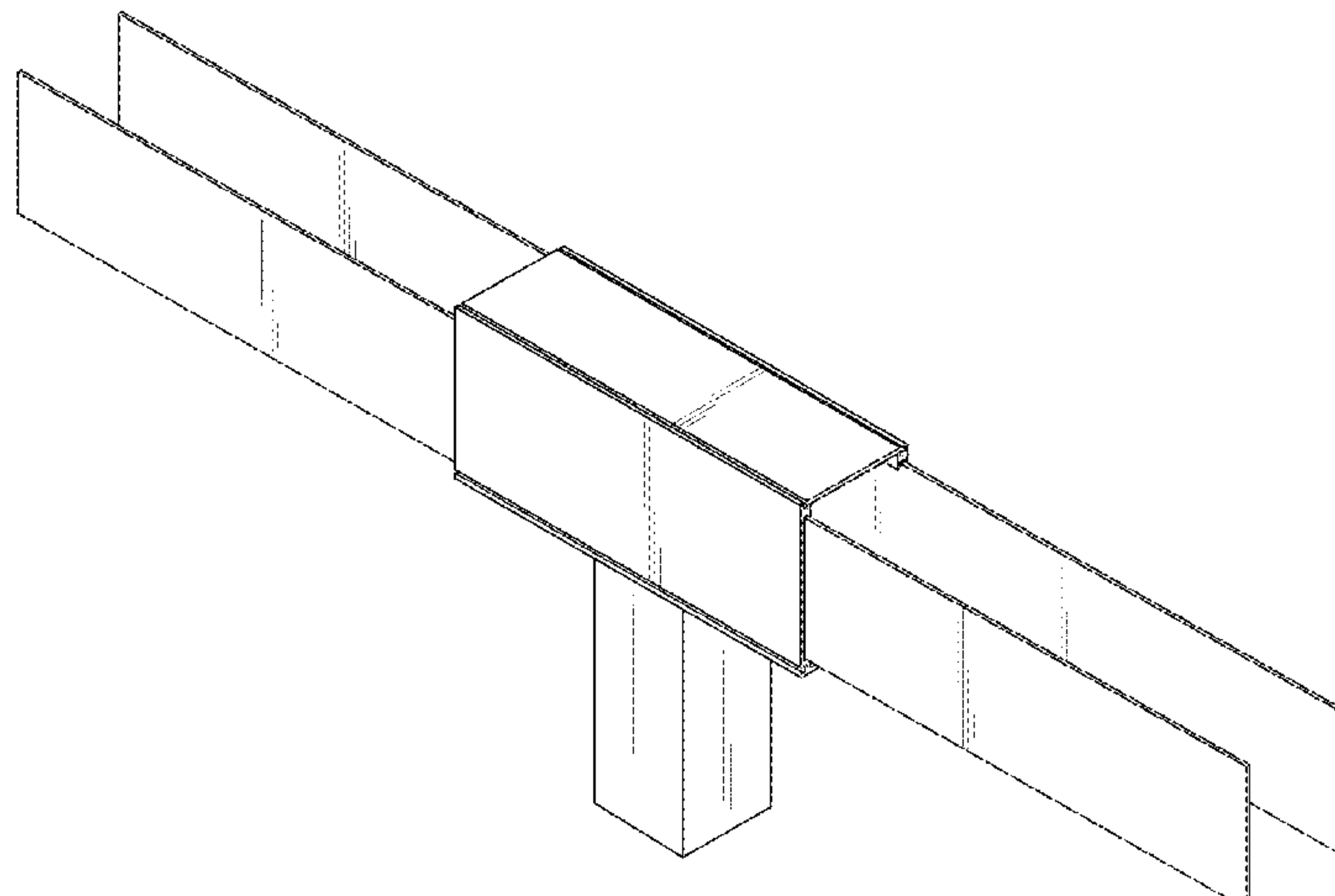
1,788,096 A	1/1931	Friedmann
2,101,349 A	12/1937	Sharp
2,632,535 A	3/1953	Edouard
2,776,735 A	1/1957	Bancroft
2,918,153 A	12/1959	Hammitt et al.
3,119,635 A	1/1964	Dealy et al.
3,222,841 A	12/1965	Lipof
3,246,433 A	4/1966	Eriksson
3,255,769 A	6/1966	Lloyd
3,304,108 A	2/1967	Hamilton et al.
3,354,891 A	11/1967	Brown
3,386,590 A	6/1968	Gretz
3,532,369 A	10/1970	Reilly
3,561,801 A	2/1971	Chiu
3,620,558 A	11/1971	MacMillan
3,645,569 A	2/1972	Reilly
3,656,515 A	4/1972	Wogerbauer et al.
3,666,298 A	5/1972	Reilly
3,726,551 A	4/1973	Levenberg
3,786,612 A	1/1974	Baker
3,831,336 A	8/1974	Diemer
3,867,045 A	2/1975	Beals
3,922,101 A	11/1975	Salmon, Jr. et al.
3,955,702 A	5/1976	Lundy
4,076,432 A	2/1978	Glaser
4,159,758 A	7/1979	Courson
4,315,386 A	2/1982	Clarke
4,323,319 A	4/1982	Adams
4,516,376 A	5/1985	King
4,570,406 A	2/1986	DiFazio
4,570,408 A	2/1986	Frascaroli et al.
4,718,184 A	1/1988	Sherman
4,718,213 A	1/1988	Butterfiend
4,785,591 A	11/1988	Dahlen
4,831,804 A	5/1989	Sayer
4,841,688 A	6/1989	Rinaldi
4,960,343 A	10/1990	Reilly
5,079,860 A	1/1992	Nugent
5,144,780 A	9/1992	Gieling et al.
5,156,484 A	10/1992	Allen
5,203,135 A	4/1993	Bastian
5,383,723 A	1/1995	Meyer
5,451,115 A	9/1995	Sayres
5,485,705 A	1/1996	Guillemet
5,556,218 A	9/1996	Homer
5,561,955 A *	10/1996	Frobosilo E06B 1/6069 49/468

(56) **References Cited**

U.S. PATENT DOCUMENTS

742,549 A 10/1903 Zed et al.
 1,430,809 A 10/1922 IIseng

D376,855 S	12/1996	Leung
5,605,410 A	2/1997	Pantev
D387,655 S	12/1997	Kopish
5,864,997 A	2/1999	Kelly
5,904,437 A	5/1999	Allen
5,997,117 A	12/1999	Krietzman



US D941,499 S

Page 2

6,062,761 A	5/2000	Allen	2008/0190068 A1	8/2008	Tapscott et al.
6,067,760 A	5/2000	Nowell	2013/0272777 A1	10/2013	Hayter et al.
6,279,288 B1	8/2001	Keil	2014/0145062 A1*	5/2014	Calvo Echeveste E04G 11/50 249/211
6,279,289 B1	8/2001	Soder et al.	2014/0250821 A1	9/2014	Strickland et al.
6,338,226 B1	1/2002	Gauthier et al.	2014/0311076 A1	10/2014	Ishaque et al.
6,339,891 B1	1/2002	Cox	2015/0121788 A1	5/2015	Kim
D454,962 S	3/2002	Grace	2016/0138261 A1	5/2016	Zhang et al.
6,601,362 B1	8/2003	Prince	2017/0321446 A1	11/2017	Antinolfi
6,668,495 B1	12/2003	Prince	2018/0094418 A1	4/2018	Winter
6,755,004 B1	6/2004	Power et al.	2018/0094426 A1	4/2018	Winter
6,826,885 B2	12/2004	Raskin et al.	2021/0025194 A1*	1/2021	Walker E04H 17/1447
7,004,667 B2	2/2006	Ludwig et al.			
7,080,492 B1	7/2006	Guiller			
7,155,874 B2	1/2007	Lee			
7,223,044 B2	5/2007	Quintile			
D588,281 S *	3/2009	Clarke D25/121			
D598,573 S *	8/2009	Clarke D25/121			
7,568,323 B2	8/2009	Shelton et al.			
D600,828 S *	9/2009	Clarke D25/121			
D600,831 S	9/2009	Munakata et al.			
D603,065 S	10/2009	Hamilton et al.			
7,628,563 B2	12/2009	Winkler			
7,677,003 B2	3/2010	Baughn et al.			
D616,114 S	5/2010	Harder			
7,739,841 B1	6/2010	Puckett			
7,832,180 B2	11/2010	Dolby			
8,028,494 B2	10/2011	Denn et al.			
8,151,533 B2	4/2012	Krieger			
D666,743 S	9/2012	Teffenhart, Jr.			
8,585,313 B2	11/2013	Wojotowicz et al.			
8,672,280 B2	3/2014	Suciu et al.			
8,726,583 B2	5/2014	Verdecia et al.			
8,756,900 B1	6/2014	Hudson et al.			
D733,645 S	7/2015	Cai et al.			
9,091,119 B2	7/2015	Kim			
D739,960 S	9/2015	Britton			
9,422,711 B1	8/2016	Hendry			
D775,741 S	1/2017	Kashiwagi et al.			
9,605,425 B1	3/2017	Hendry			
D783,390 S	4/2017	Nelson			
D784,060 S	4/2017	Davidson			
D787,094 S	5/2017	Britton			
D790,730 S	6/2017	Prado Perez			
D815,758 S	4/2018	Hendry			
D818,293 S	5/2018	Muller			
D823,666 S	7/2018	Macdonald et al.			
D823,667 S	7/2018	Macdonald et al.			
D823,668 S	7/2018	Macdonald et al.			
D823,669 S	7/2018	Macdonald et al.			
D823,670 S	7/2018	Macdonald et al.			
D826,692 S	8/2018	Macdonald et al.			
D827,414 S	9/2018	Macdonald et al.			
D827,416 S	9/2018	Macdonald et al.			
10,066,384 B1	9/2018	Hendry			
D830,545 S	10/2018	Loughren et al.			
D834,396 S	11/2018	Macdonald et al.			
D834,920 S	12/2018	Macdonald et al.			
D835,301 S	12/2018	Lee			
D839,075 S	1/2019	Macdonald et al.			
10,316,508 B1	6/2019	Hendry			
D854,710 S	7/2019	Hendry			
D856,781 S	8/2019	Hendry			
D878,901 S *	3/2020	Bunn D8/316			
D879,326 S	3/2020	Hendry			
D887,025 S *	6/2020	Styre D25/133			
10,738,457 B1	8/2020	Hendry			
2004/0035082 A1	2/2004	Hudoba et al.			
2005/0193680 A1	9/2005	Wang			
2006/0115324 A1	6/2006	Zenda et al.			
2007/0074480 A1	4/2007	Kleila et al.			
2007/0130786 A1	6/2007	Wu			
2007/0180786 A1	8/2007	Sotuyo			
2007/0266671 A1	11/2007	Chromy			
2008/0016816 A1	1/2008	Kim			

FOREIGN PATENT DOCUMENTS

CH	452154	5/1968
CN	204983145	1/2016
CN	303693360	6/2016
DE	4112181	10/1992
DE	202014103897	10/2014
EP	1134328	9/2001
EP	1916349	4/2008
EP	2988007	2/2016
GB	1009846	11/1965
WO	9421867	9/1994
WO	0066896	11/2000
WO	2012016297	2/2012

OTHER PUBLICATIONS

EZ Screen Room <<https://www.homedepot.com/p/EZ-Screen-Room-8-ft-x-2-in-x-2-in-Aluminum-Whie-Extrusion-with-Spline-Track-EZSR8PW/202453633>> Jun. 11, 2013 (Year: 2013).

2 page machine translation of CN 204983145 U, Jan. 2016 (Year: 2016).

Screened Wall Systems <http://www.screen-house.com/screenroom_three_season_walls.htm> Jul. 18, 2017 / (Year: 2017).

* cited by examiner

Primary Examiner — Samantha Q Lawrence
(74) *Attorney, Agent, or Firm* — Hanrahan Law Firm,
P.A.; Benjamin M. Hanrahan

(57) CLAIM

The ornamental design for a T-bracket for a screen enclosure assembly, as shown and described.

DESCRIPTION

FIG. 1 is a perspective view illustrating my design for a T-bracket for a screen enclosure assembly.

FIG. 2 is a left side view thereof.

FIG. 3 is a right side view thereof.

FIG. 4 is a front view thereof.

FIG. 5 is a rear view thereof.

FIG. 6 is a top view thereof.

FIG. 7 is a bottom view thereof; and,

FIG. 8 is another perspective view with environmental subject matter.

The broken lines illustrated in FIG. 8 represent environmental subject matter that forms no part of the claimed design.

The break lines in the environmental subject matter of FIG. 8 indicate a symbolic break in length.

1 Claim, 5 Drawing Sheets

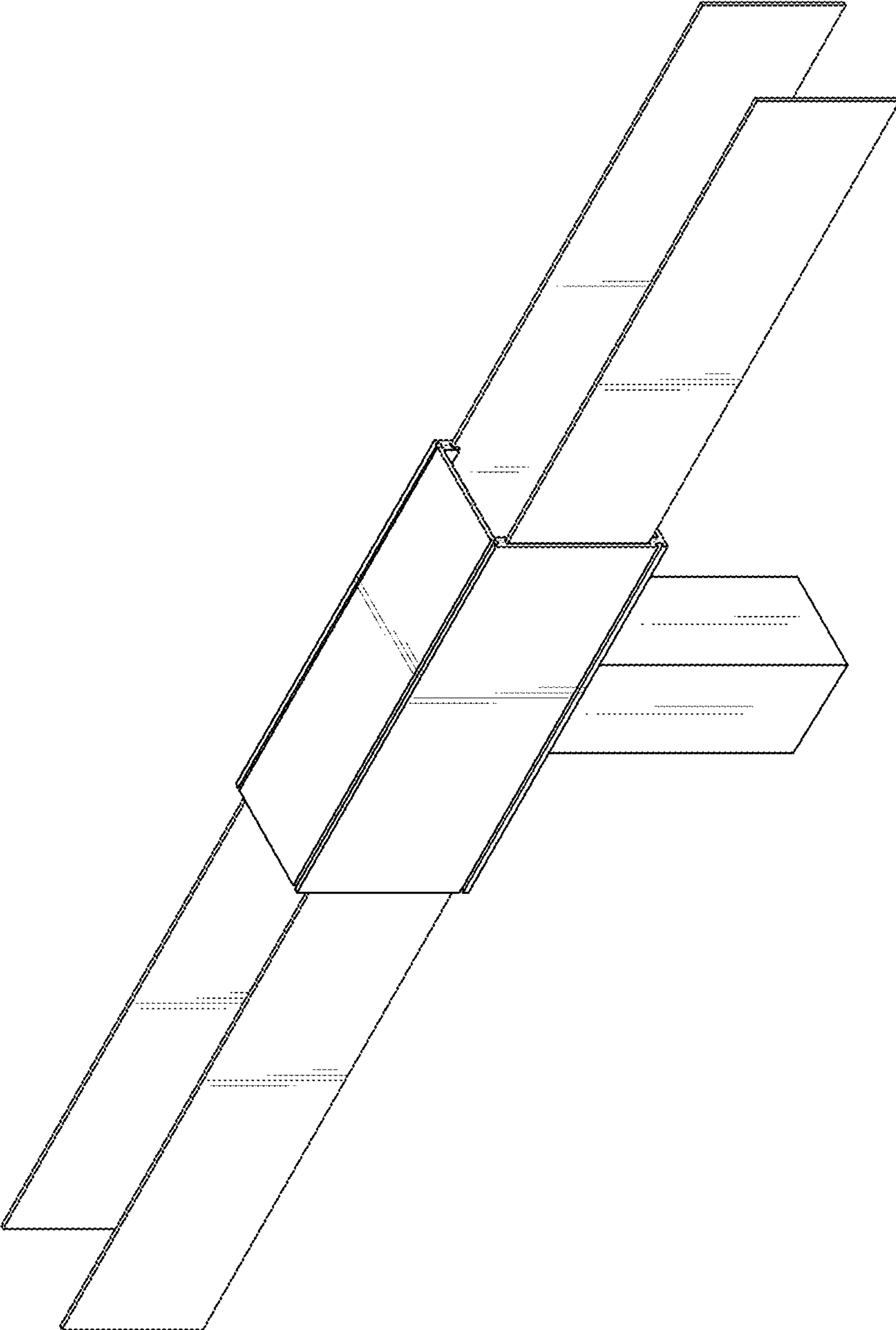


FIG. 1

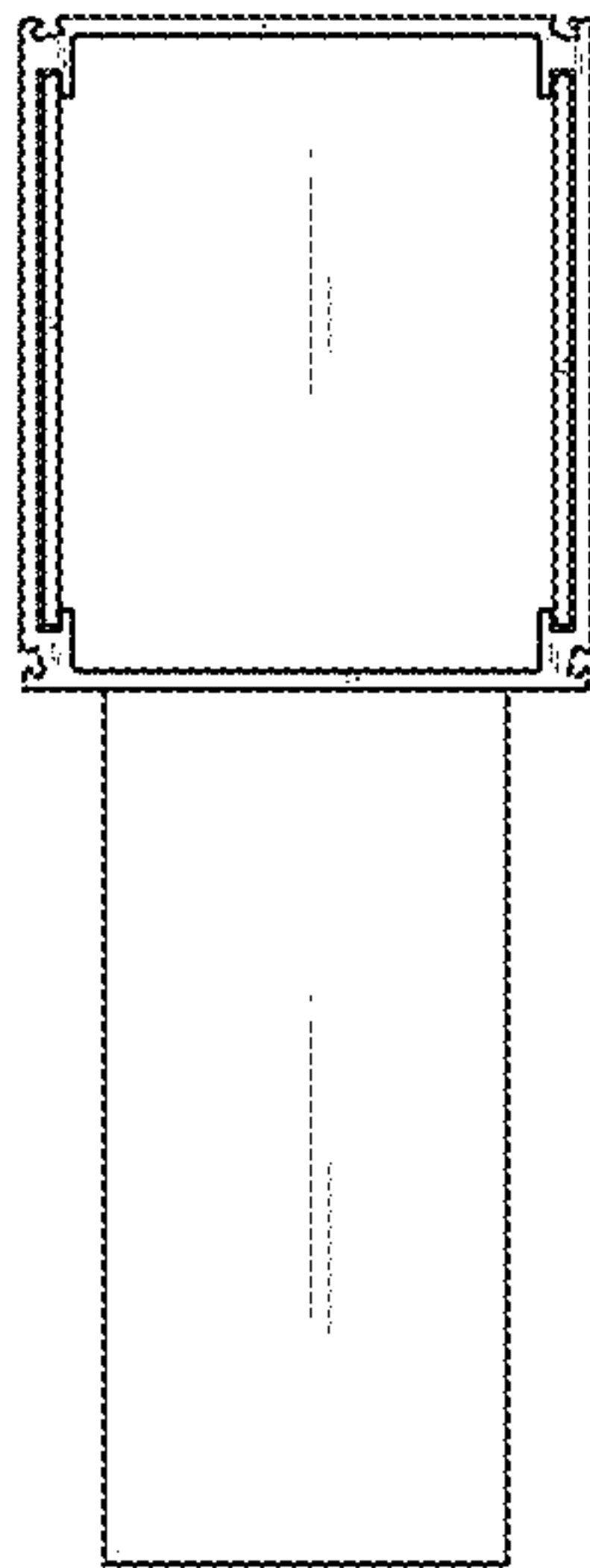


FIG. 2

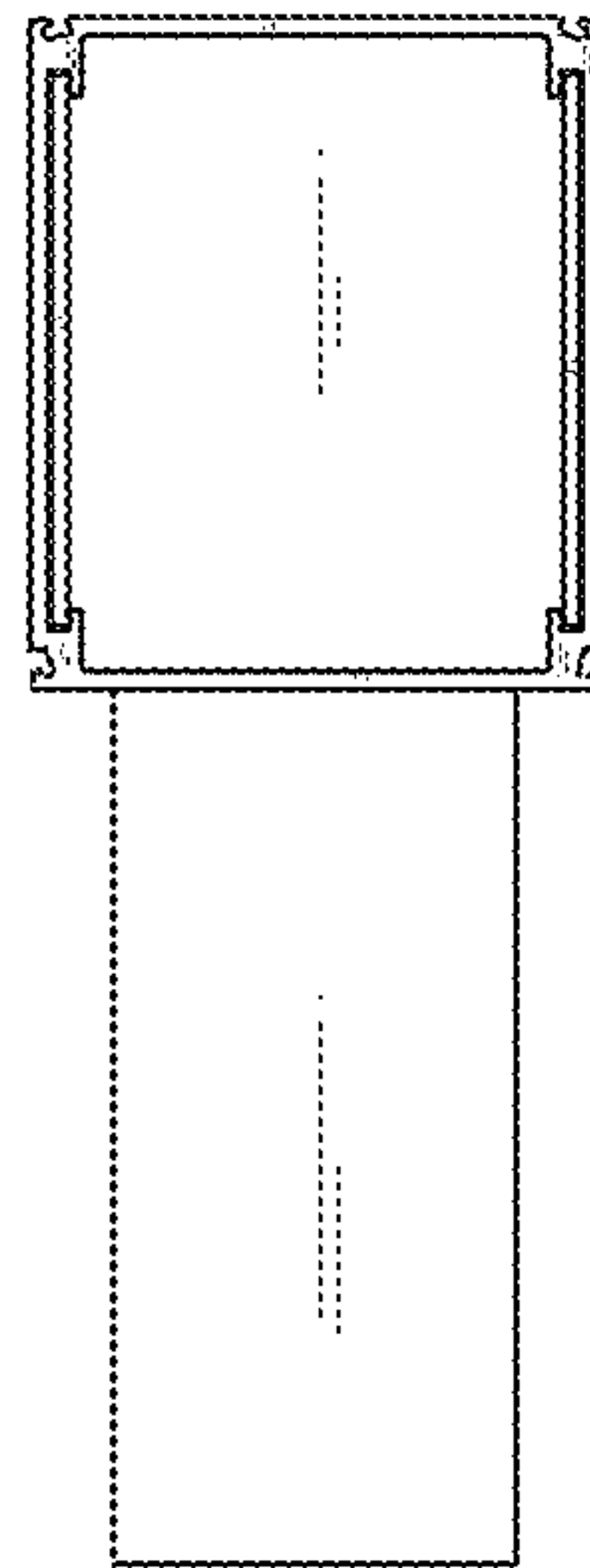


FIG. 3

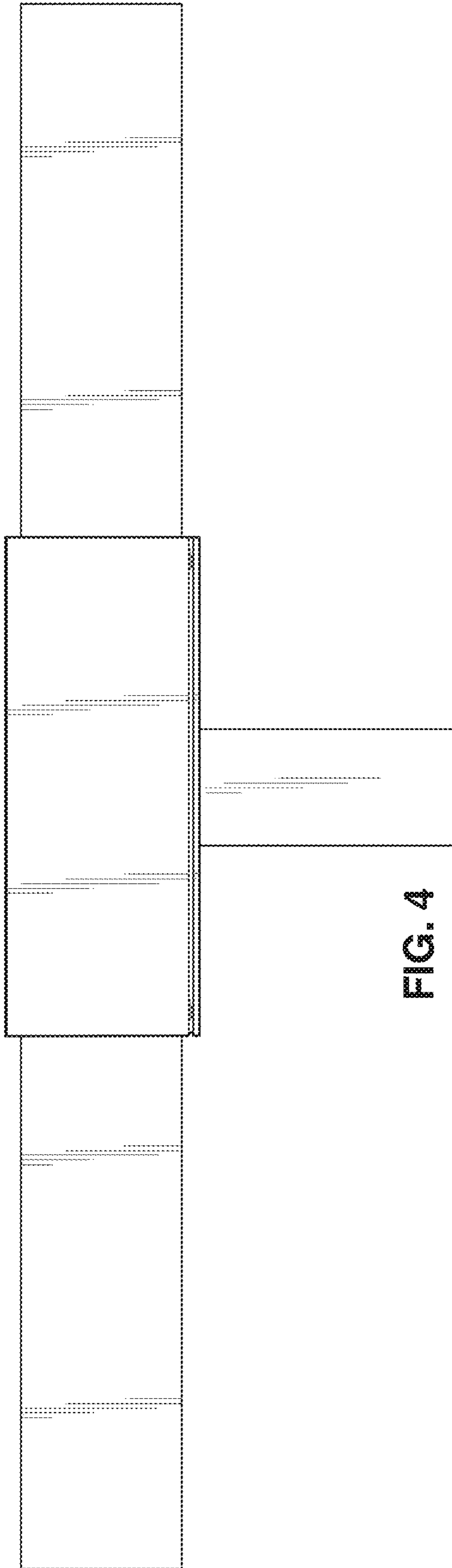


FIG. 4

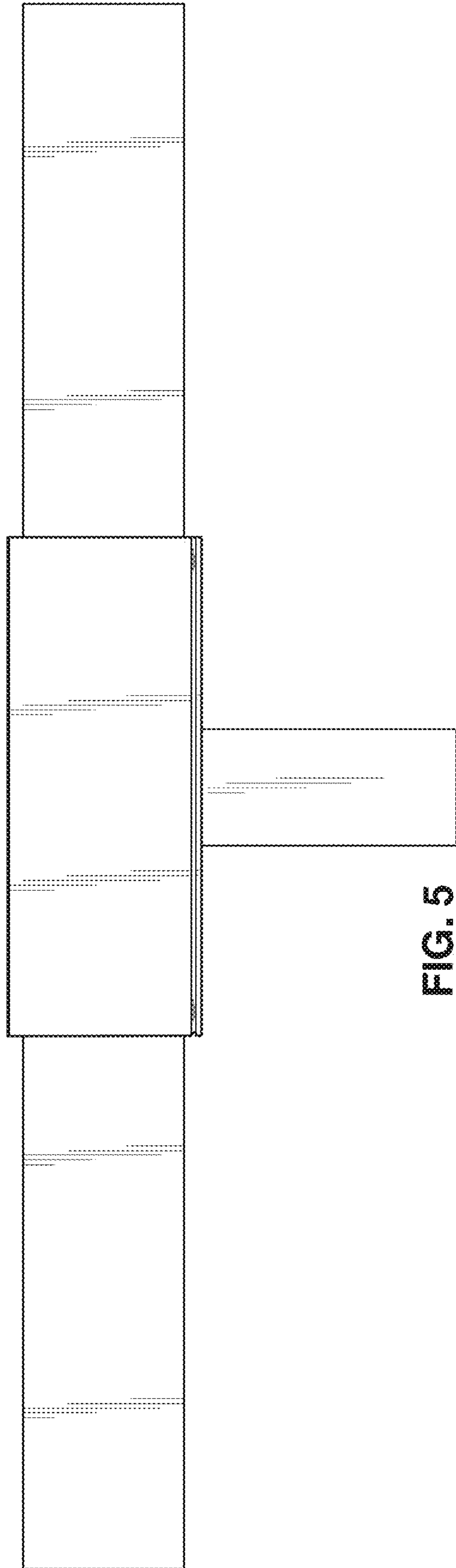


FIG. 5

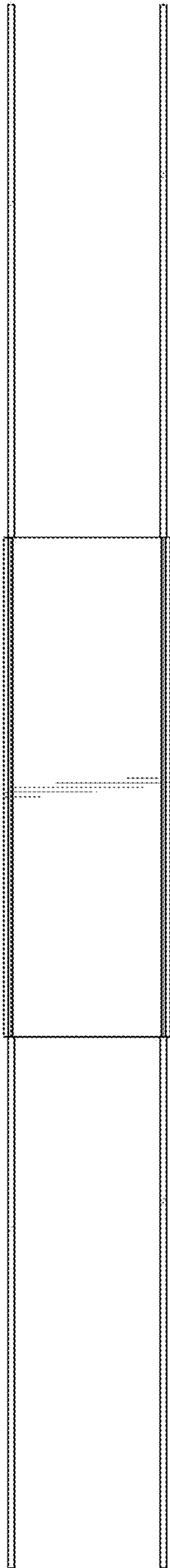


FIG. 6

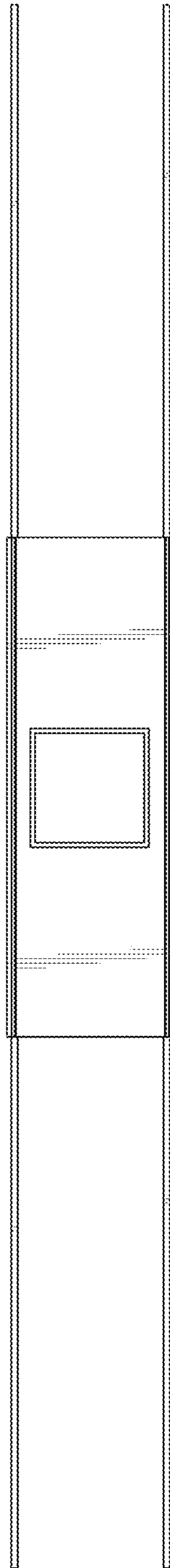


FIG. 7

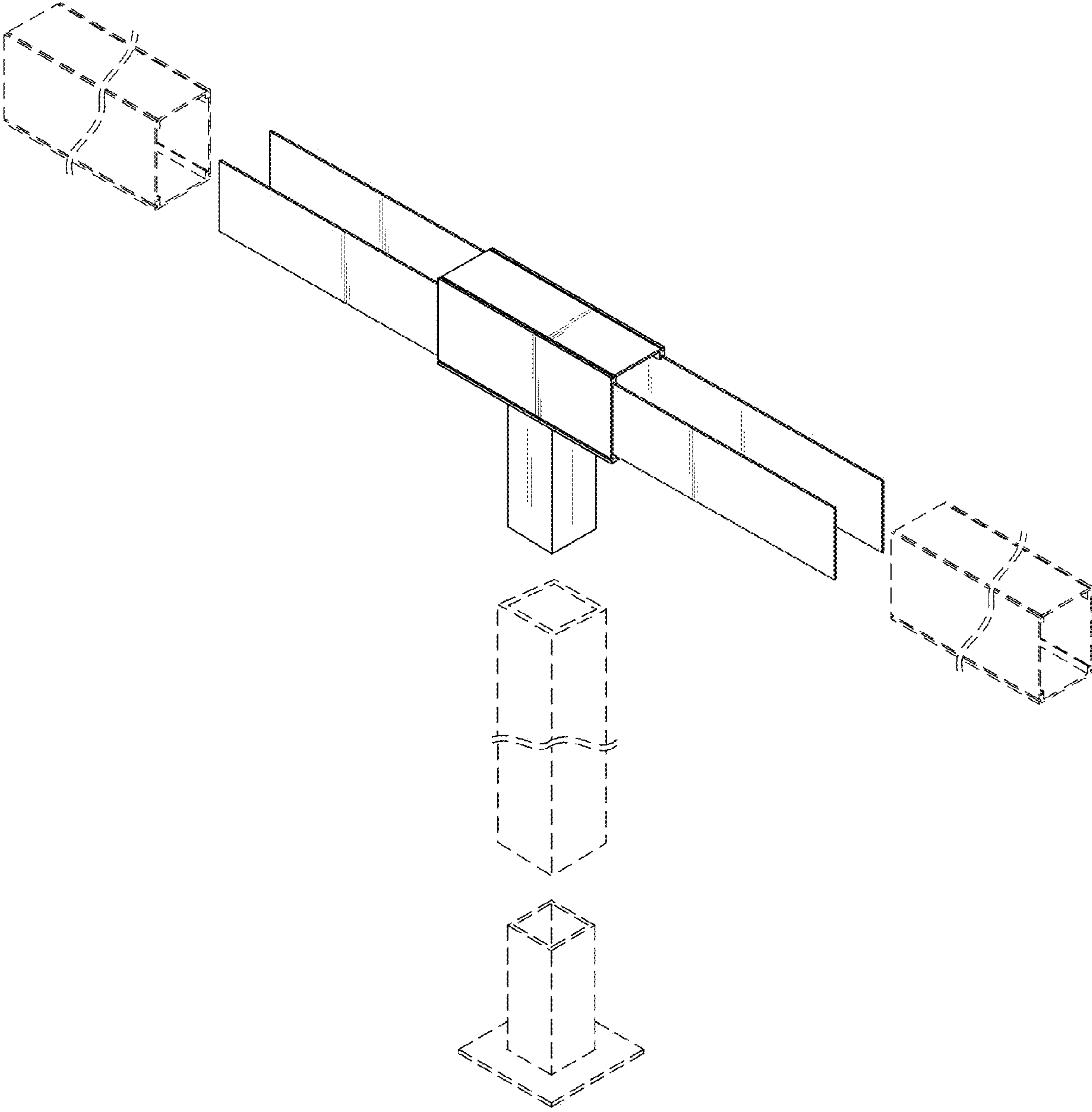


FIG. 8