



US00D941497S

(12) **United States Design Patent** (10) **Patent No.:** **US D941,497 S**
Dong et al. (45) **Date of Patent:** **** Jan. 18, 2022**

(54) **RAIL**
(71) Applicant: **nVent Services GmbH**, Schaffhausen (CH)

D745,192 S * 12/2015 Suciú D25/119
D910,425 S * 2/2021 Gallien D8/373
2005/0006053 A1 1/2005 Apfelbacher et al.
(Continued)

(72) Inventors: **Wesley Dong**, Belmont, CA (US);
Wojciech Kramarz, Wieioteka (PL);
Dan Caouette, Katy, TX (US); **Amir Mahani**, Richmond (CA); **Arkadiusz Cichocki**, Wroclaw (PL)

FOREIGN PATENT DOCUMENTS

CN 2268357 Y 11/1997
DE 1968194 U 9/1967
DE 29906950 U1 10/2000
(Continued)

(73) Assignee: **nVent Services GmbH**, Schaffhausen (CH)

OTHER PUBLICATIONS

Tranberg Enclosure Heater, technical data, R. Stahl Tranberg AS, undated, 2 pages.

(**) Term: **15 Years**

(Continued)

(21) Appl. No.: **29/737,900**

Primary Examiner — Gino Colan

(22) Filed: **Jun. 12, 2020**

(74) Attorney, Agent, or Firm — Quarles & Brady LLP

(51) **LOC (13) Cl.** **25-01**

(52) **U.S. Cl.**
USPC **D25/119**

(58) **Field of Classification Search**
USPC D25/119–125; D23/259, 261–262, 267,
D23/393; 52/287.1, 312, 478, 542, 656.9,
52/716.8, 718.01

(57) **CLAIM**

The ornamental design for a rail, as shown and described.

CPC E04H 4/141; E04H 4/14; E04F 19/049
See application file for complete search history.

DESCRIPTION

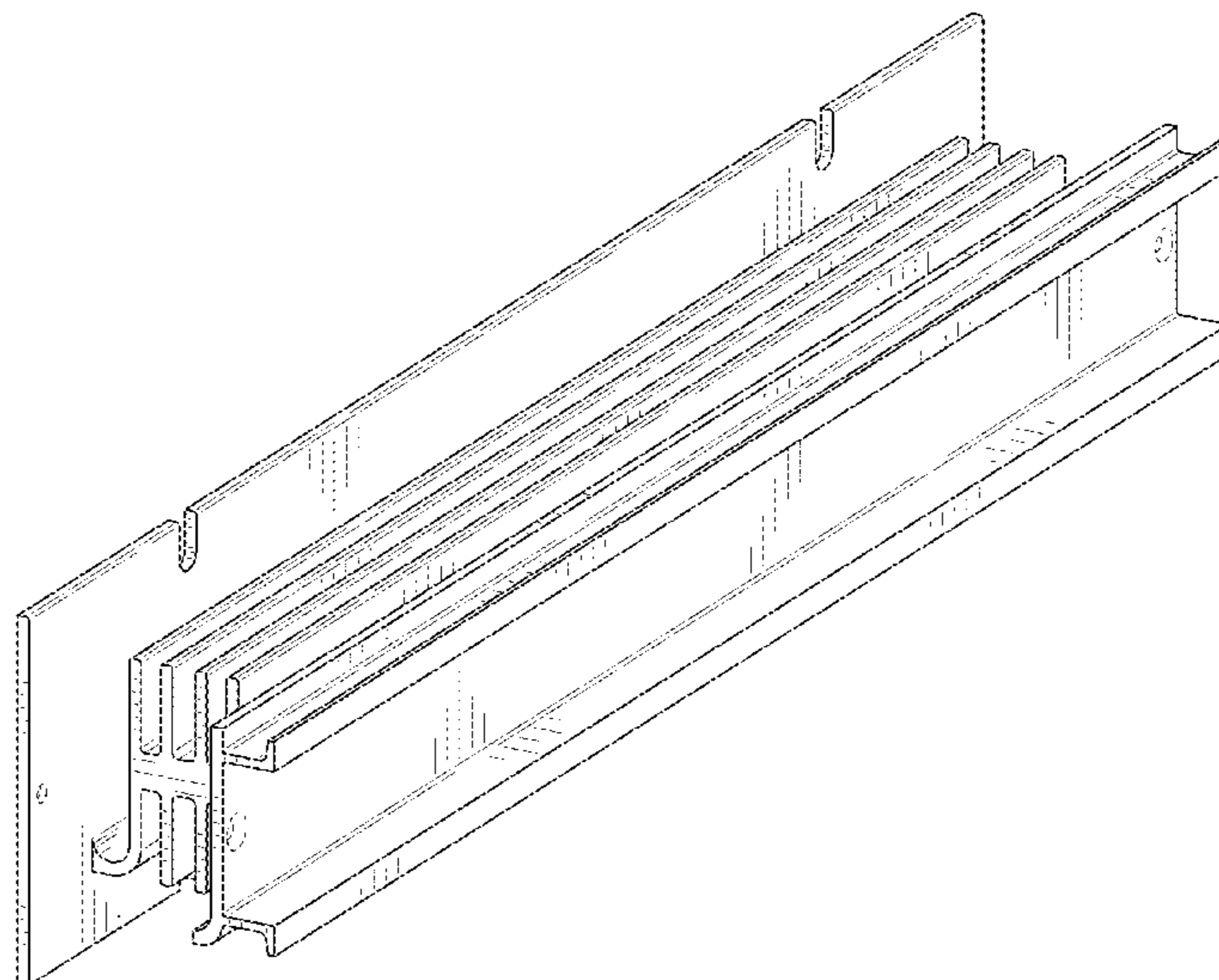
FIG. 1 is a perspective view of a front, top, and right side of an ornamental design for a rail;
FIG. 2 is a front side elevational view thereof;
FIG. 3 is a rear side elevational view thereof;
FIG. 4 is a right elevational view thereof;
FIG. 5 is a left elevational view thereof;
FIG. 6 is a top plan view thereof;
FIG. 7 is a bottom plan view thereof; and,
FIG. 8 is another perspective view of a front, top, and right side thereof, including environmental structure.
The dashed broken lines show portions of the rail and environmental structure that form no part of the claimed design.

(56) **References Cited**

U.S. PATENT DOCUMENTS

5,794,795 A 8/1998 Stemmons
D466,233 S * 11/2002 Krieger D25/121
6,484,997 B1 11/2002 Edwards et al.
6,543,957 B1 4/2003 Raspotnig
D479,008 S * 8/2003 Krieger D25/121
7,228,977 B2 * 6/2007 Perkins A47B 83/001
211/87.01
D604,978 S * 12/2009 Shaha D6/553
7,700,877 B2 4/2010 Delfosse et al.
D693,484 S * 11/2013 Krieger E04F 13/0826
D25/119
9,033,746 B1 5/2015 Wu

1 Claim, 5 Drawing Sheets



(56)

References Cited

U.S. PATENT DOCUMENTS

2006/0240683 A1 10/2006 Bre' et al.
2006/0240707 A1 10/2006 Bre' et al.

FOREIGN PATENT DOCUMENTS

EP	2975711	A1	1/2016
FR	2682230	A1	4/1993
JP	H06223927	A	8/1994
JP	H0758459	A	3/1995
JP	2016127624	A	7/2016

OTHER PUBLICATIONS

STEGO Heaters and Fan Heaters, product list, Copyright 2020
STEGO Elektrotechnik GmbH, 9 pages.
nVent, HOFFMAN, heating enclosures product list, Copyright 2020
nVent, 2 pages.

* cited by examiner

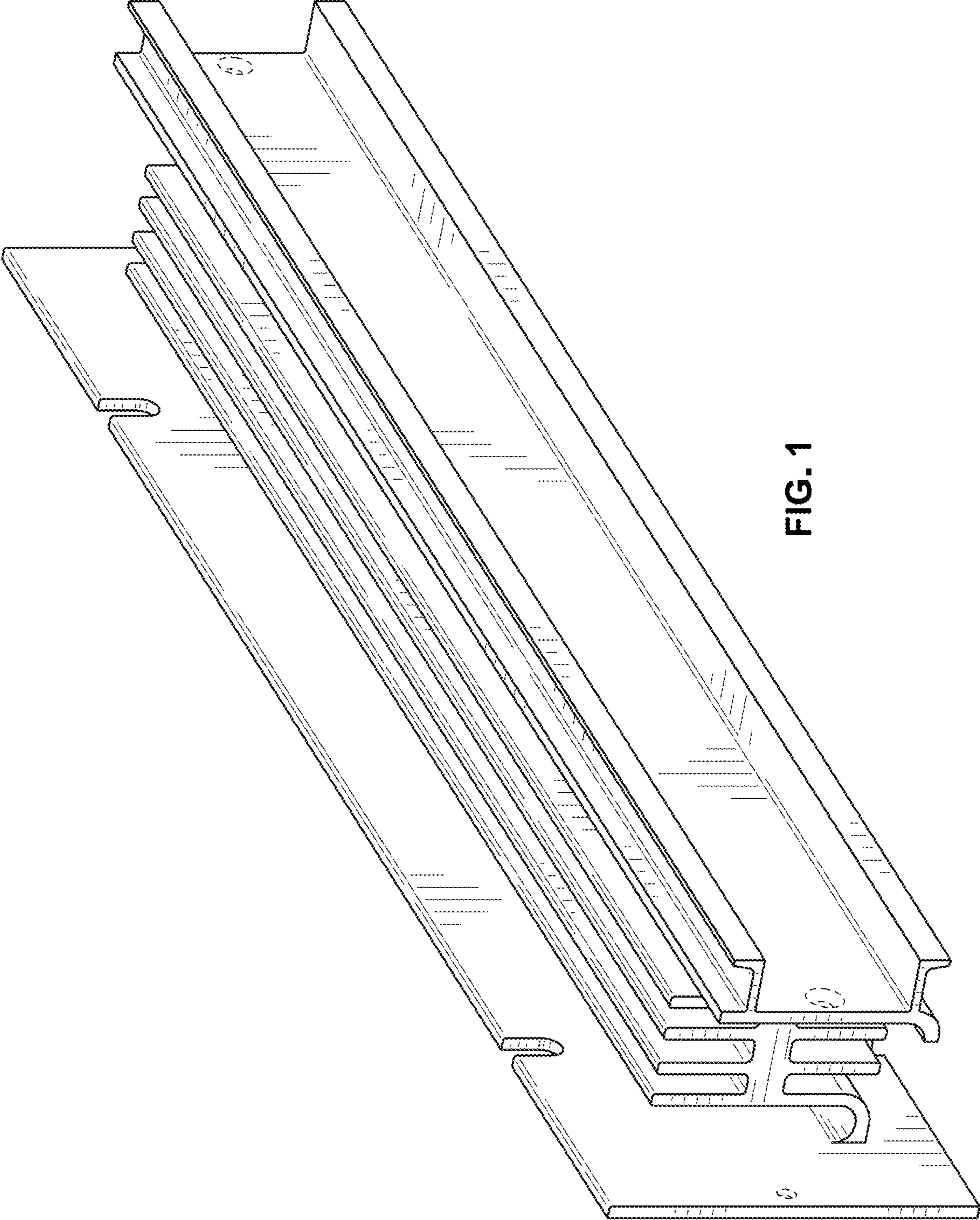


FIG. 1

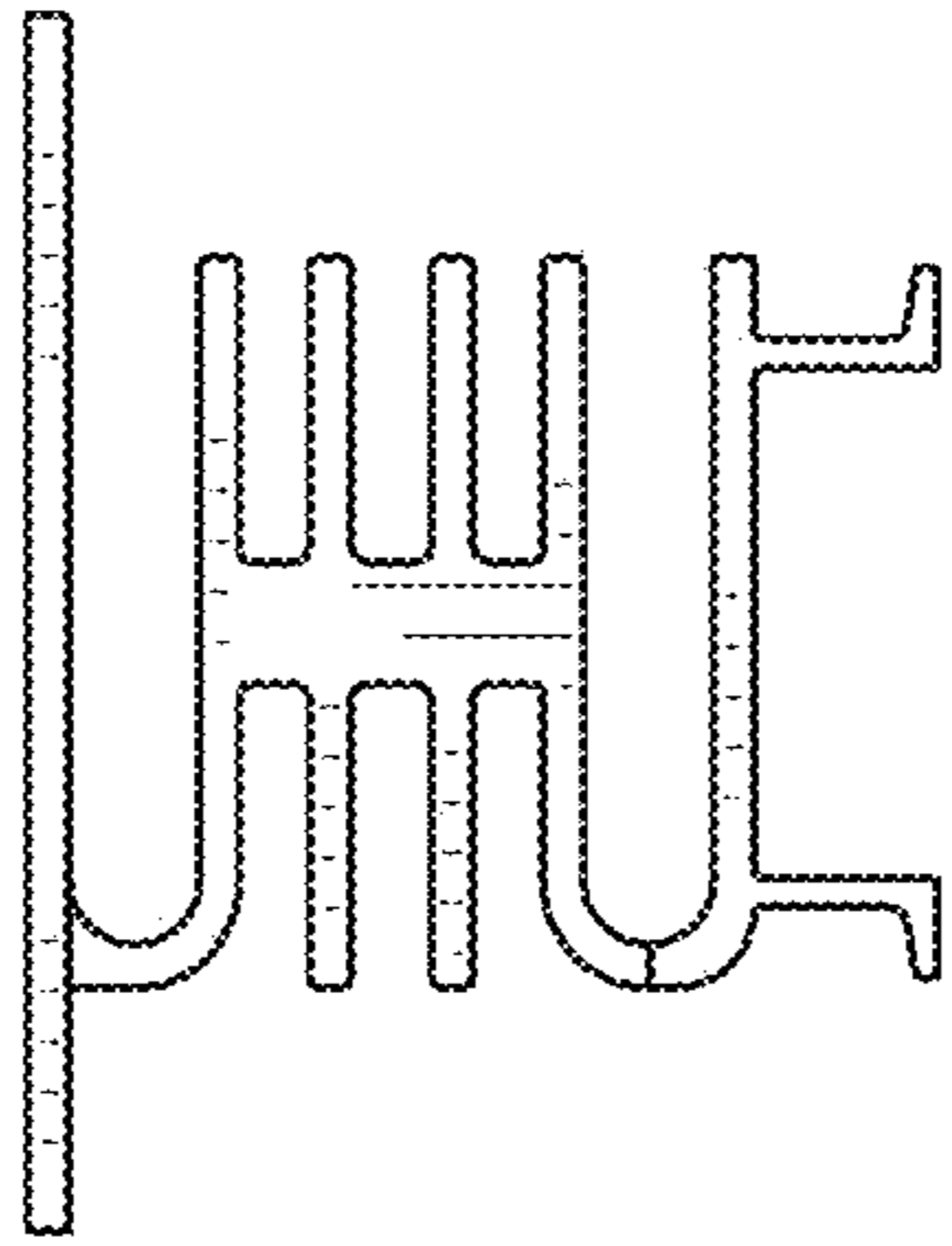


FIG. 2

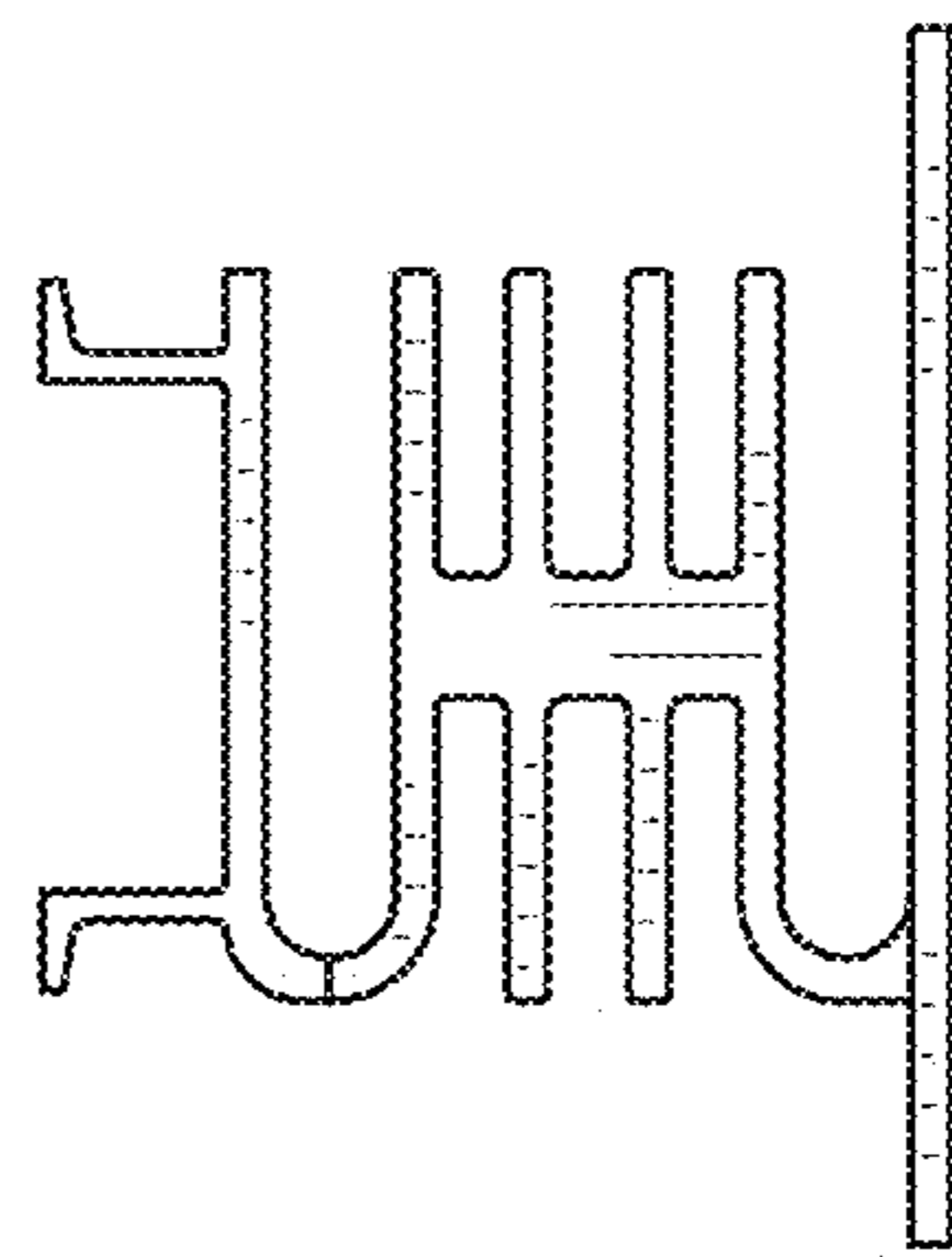


FIG. 3

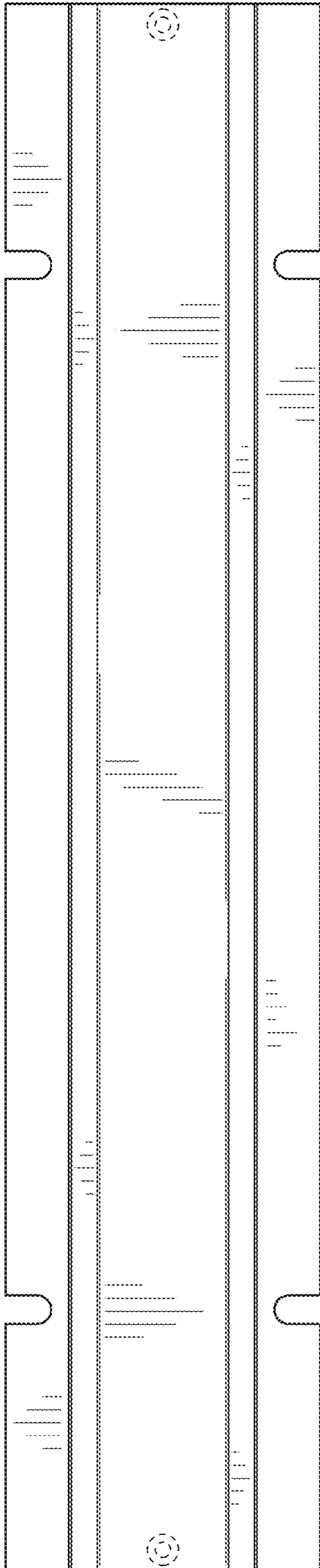


FIG. 4

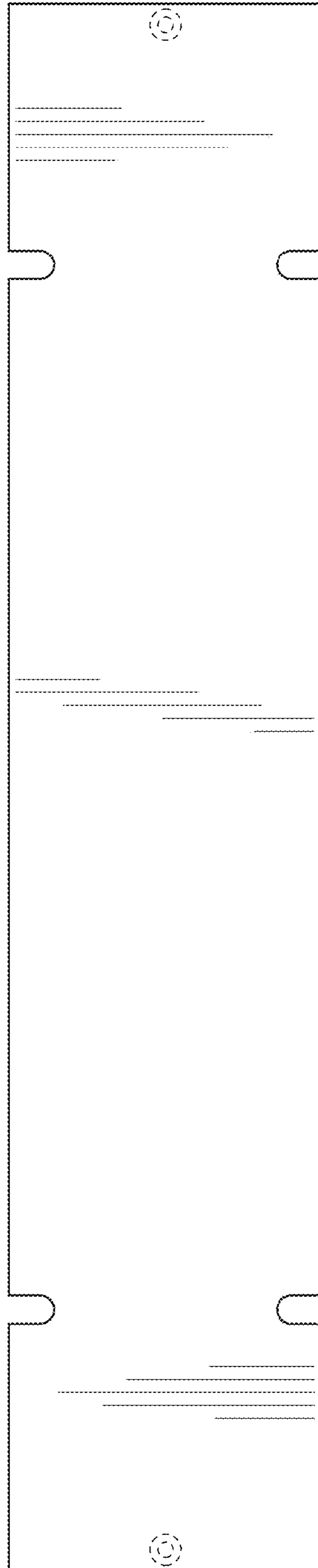


FIG. 5

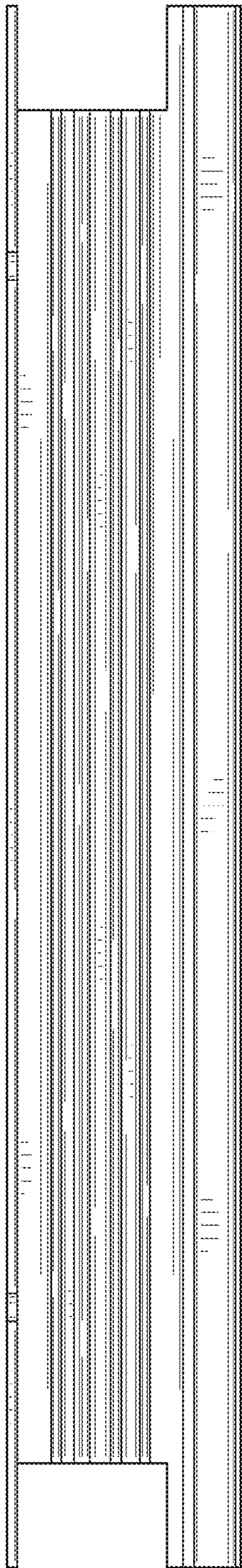


FIG. 6

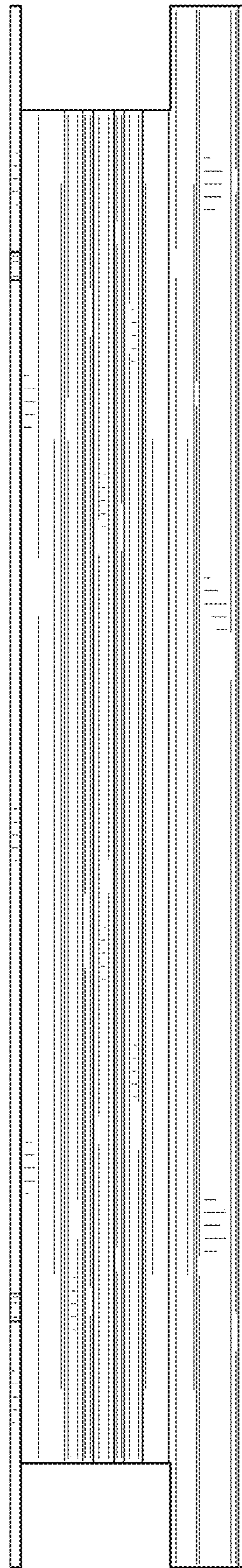


FIG. 7

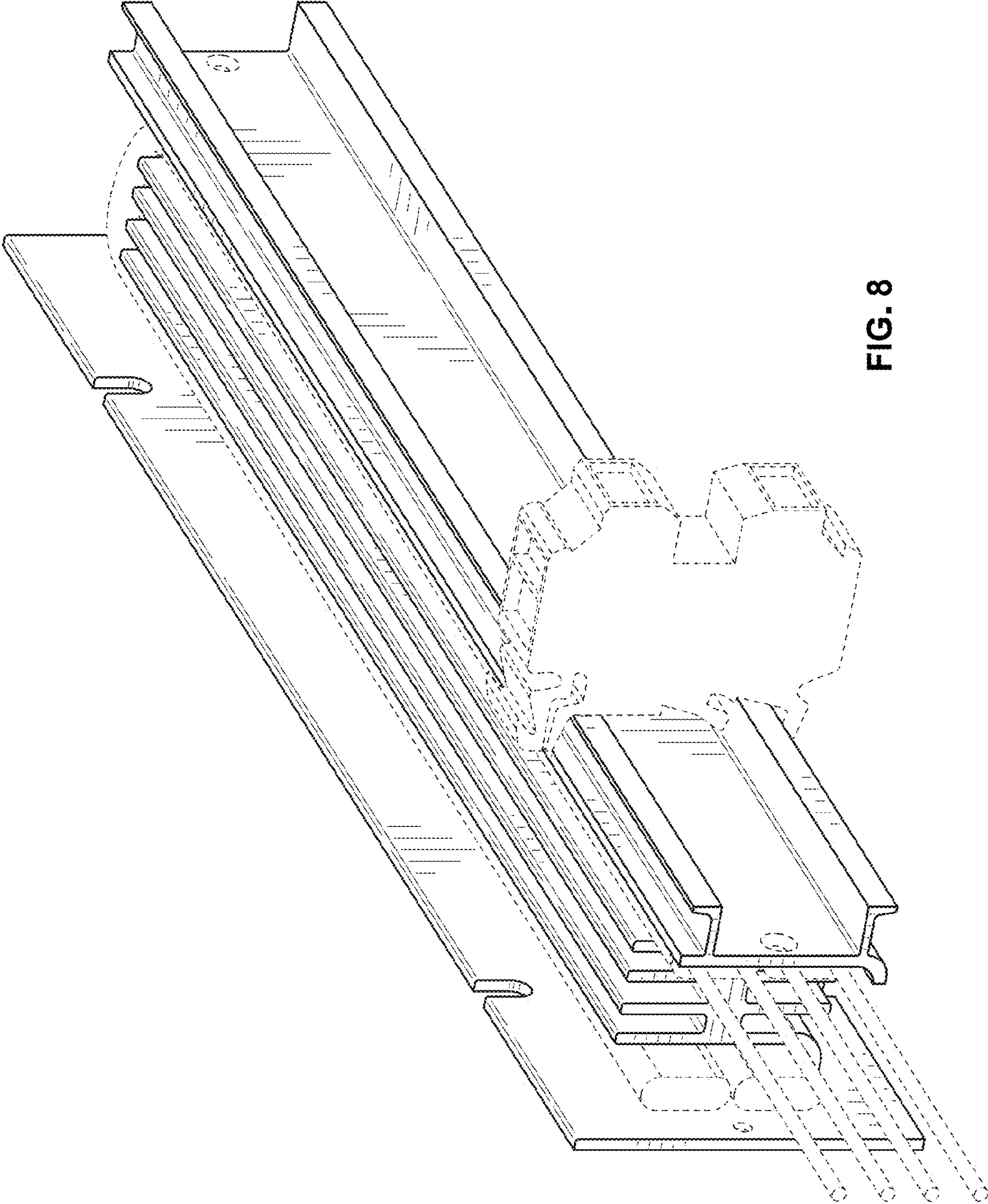


FIG. 8