

US00D941495S

(12) **United States Design Patent** (10) **Patent No.:** **US D941,495 S**  
**Su** (45) **Date of Patent:** **\*\* \*Jan. 18, 2022**

(54) **GATE**  
(71) Applicant: **EASYBABY PRODUCTS, INC.,**  
Dallas, TX (US)  
(72) Inventor: **Shuicai Su, Jiangxi (CN)**  
(73) Assignee: **EASYBABY PRODUCTS, INC.,**  
Dallas, TX (US)

2008/0121354 A1\* 5/2008 Cheng ..... E06B 9/80  
160/290.1  
2013/0299101 A1\* 11/2013 Wang ..... E06B 9/13  
160/303  
2018/0044982 A1\* 2/2018 Wang ..... E06B 9/08  
2019/0078382 A1\* 3/2019 Wang ..... E06B 9/08  
2019/0178028 A1\* 6/2019 Michalczyk ..... E06B 11/027  
2019/0218854 A1\* 7/2019 Fusco ..... E06B 9/08  
2020/0080372 A1\* 3/2020 Hsu ..... E06B 9/60  
2021/0040791 A1\* 2/2021 Wang ..... E06B 5/025

(\* ) Notice: This patent is subject to a terminal disclaimer.  
(\*\*) Term: **15 Years**  
(21) Appl. No.: **29/718,221**

**FOREIGN PATENT DOCUMENTS**

CN 306183953 \* 11/2020  
EM 001867961-0001 \* 11/2013  
EM 002558254-0001 \* 12/2014  
EM 006886198-0001 \* 10/2019

(Continued)

(22) Filed: **Dec. 21, 2019**  
(51) **LOC (13) Cl.** ..... **25-02**  
(52) **U.S. Cl.**  
USPC ..... **D25/48.5**  
(58) **Field of Classification Search**  
USPC ..... D25/38.1, 39, 48.1, 48.4, 48.5, 48.8  
CPC ..... E06B 9/08; E06B 9/60; E06B 9/80; E06B  
2009/002; E06B 11/027; E06B 11/04  
See application file for complete search history.

**OTHER PUBLICATIONS**

2738 instruction manual no bleed v3 <https://secure.img1-fg.wfcdn.com/docresources/0/183/1839299.pdf> Oct. 3, 2019 (Year: 2019).\*

*Primary Examiner* — Leanne Was-Englehart

(57) **CLAIM**

The ornamental design for a gate, as shown and described.

(56) **References Cited**

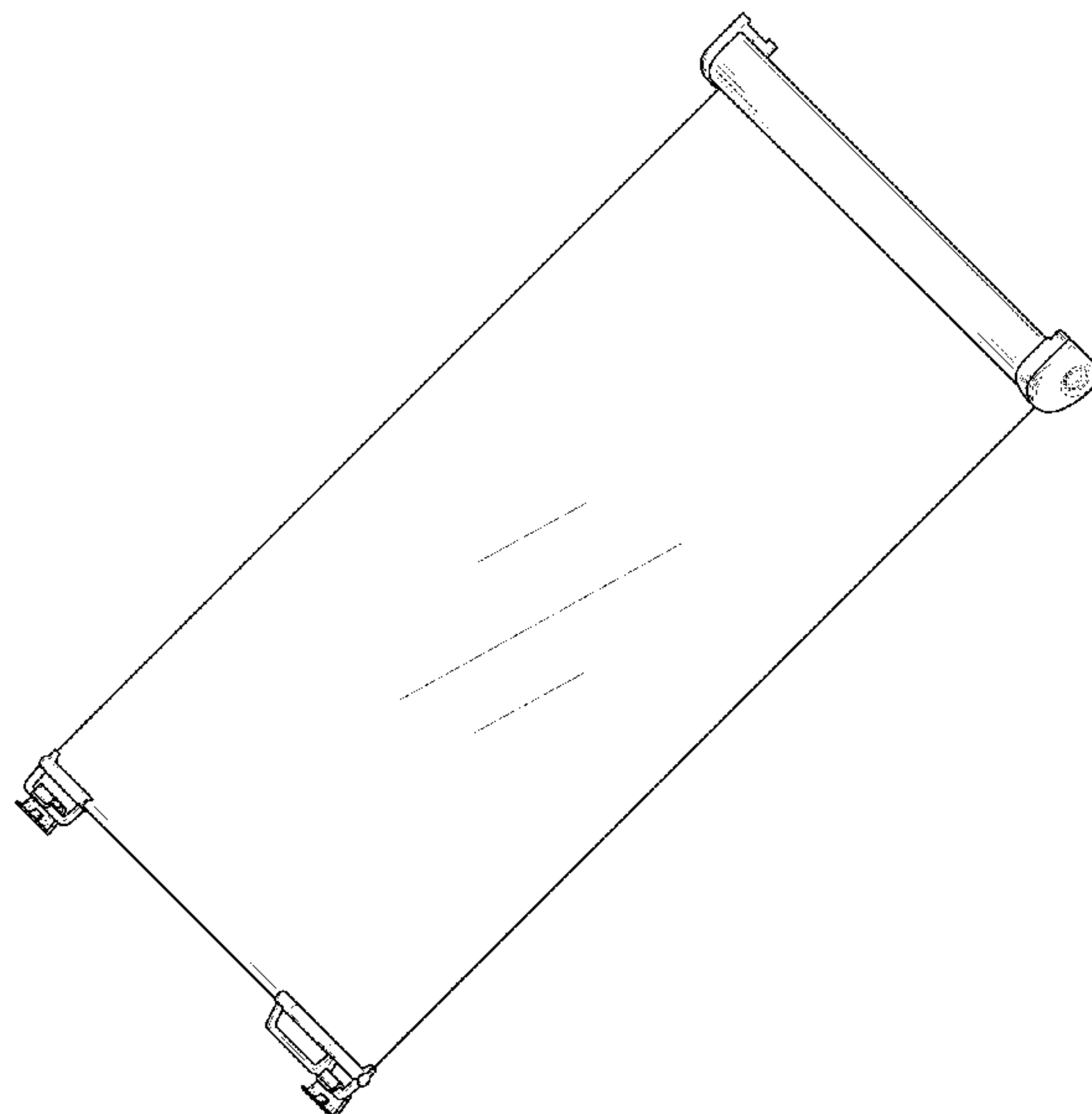
**DESCRIPTION**

**U.S. PATENT DOCUMENTS**

6,375,165 B1\* 4/2002 Sherratt ..... E06B 9/0692  
256/1  
D620,129 S \* 7/2010 Lundh ..... D25/48.5  
D621,957 S \* 8/2010 Lundh ..... D25/48.5  
D656,623 S \* 3/2012 Emrey ..... D25/48.4  
8,191,604 B2\* 6/2012 Wang ..... E06B 9/0692  
160/296  
D666,307 S \* 8/2012 Lundh ..... D25/48.1  
8,881,787 B2\* 11/2014 Wang ..... E06B 9/13  
160/24  
2008/0121352 A1\* 5/2008 Cheng ..... E06B 9/08  
160/238

FIG. 1 is a perspective view of a gate showing my new design,  
FIG. 2 is a front elevational view thereof;  
FIG. 3 is a rear elevational view thereof;  
FIG. 4 is a left side elevational view thereof;  
FIG. 5 is a right side elevational view thereof;  
FIG. 6 is a top plan view thereof; and,  
FIG. 7 is a bottom plan view thereof.  
The broken lines in the drawings depict portions of the gate that form no part of the claimed design.

**1 Claim, 7 Drawing Sheets**



(56)

**References Cited**

FOREIGN PATENT DOCUMENTS

EM	006886198-0002	* 10/2019
GB	9007426044-0002	* 12/2019
JP	D1432506	* 1/2012

\* cited by examiner

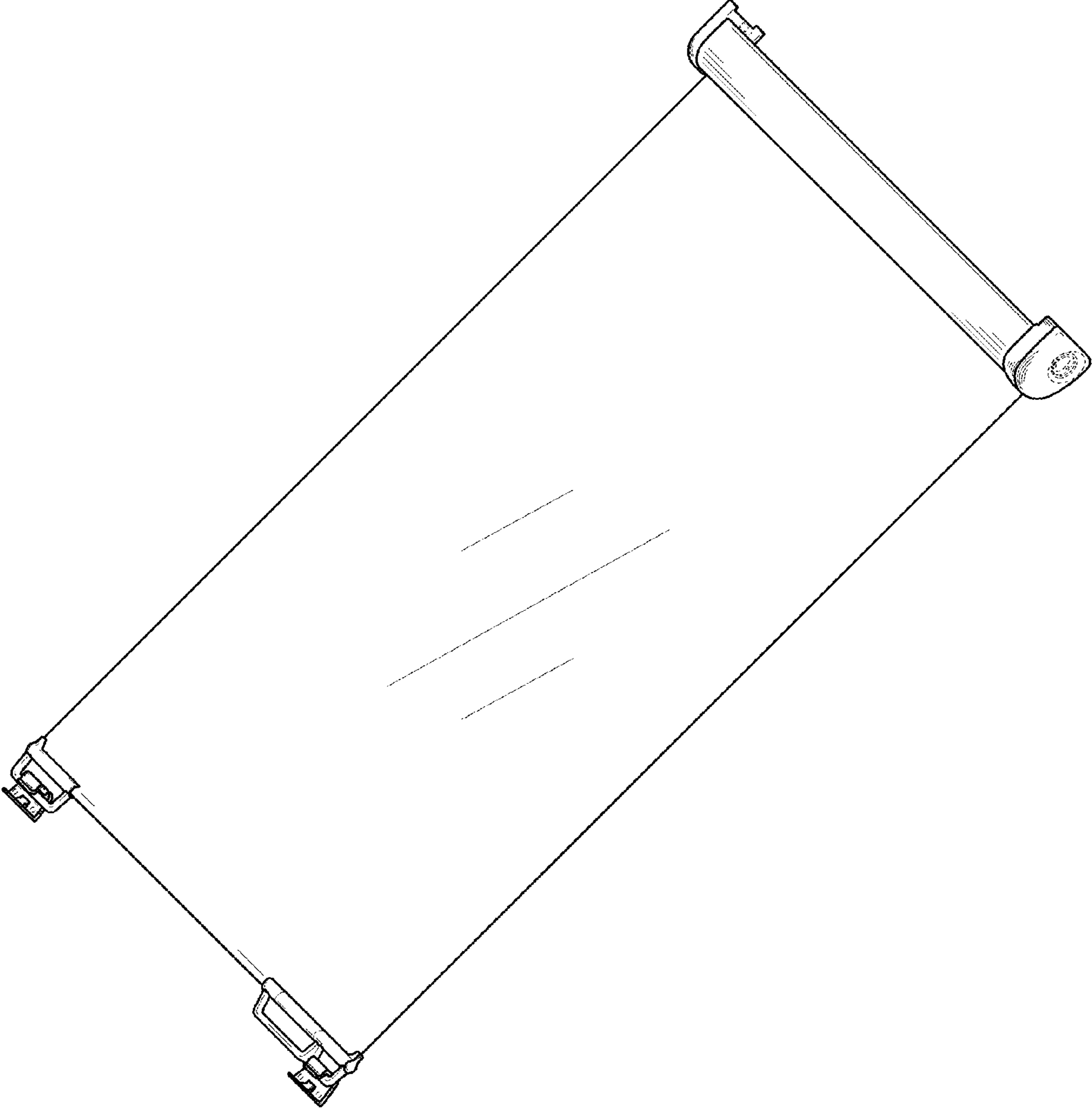


FIG. 1

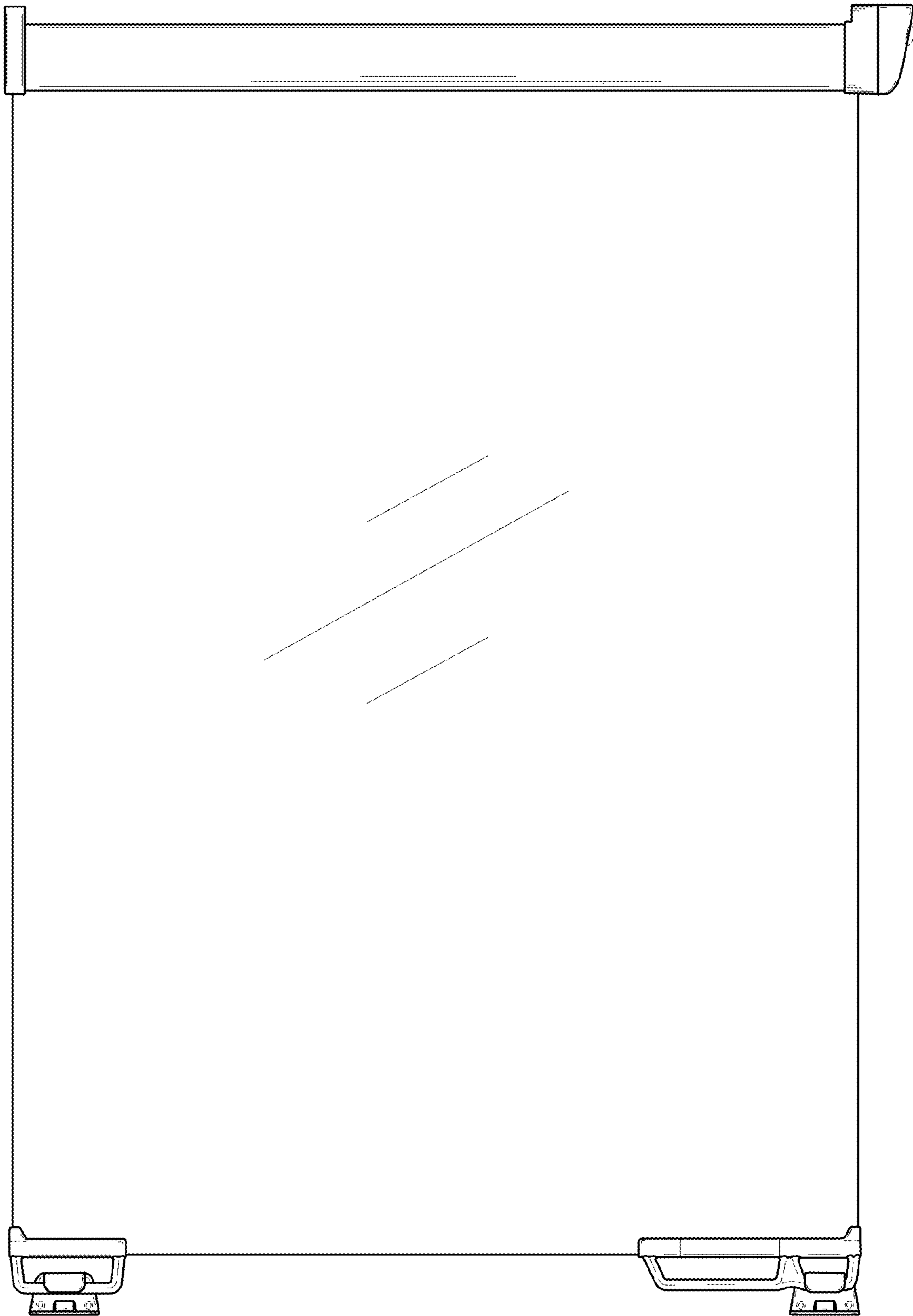


FIG. 2

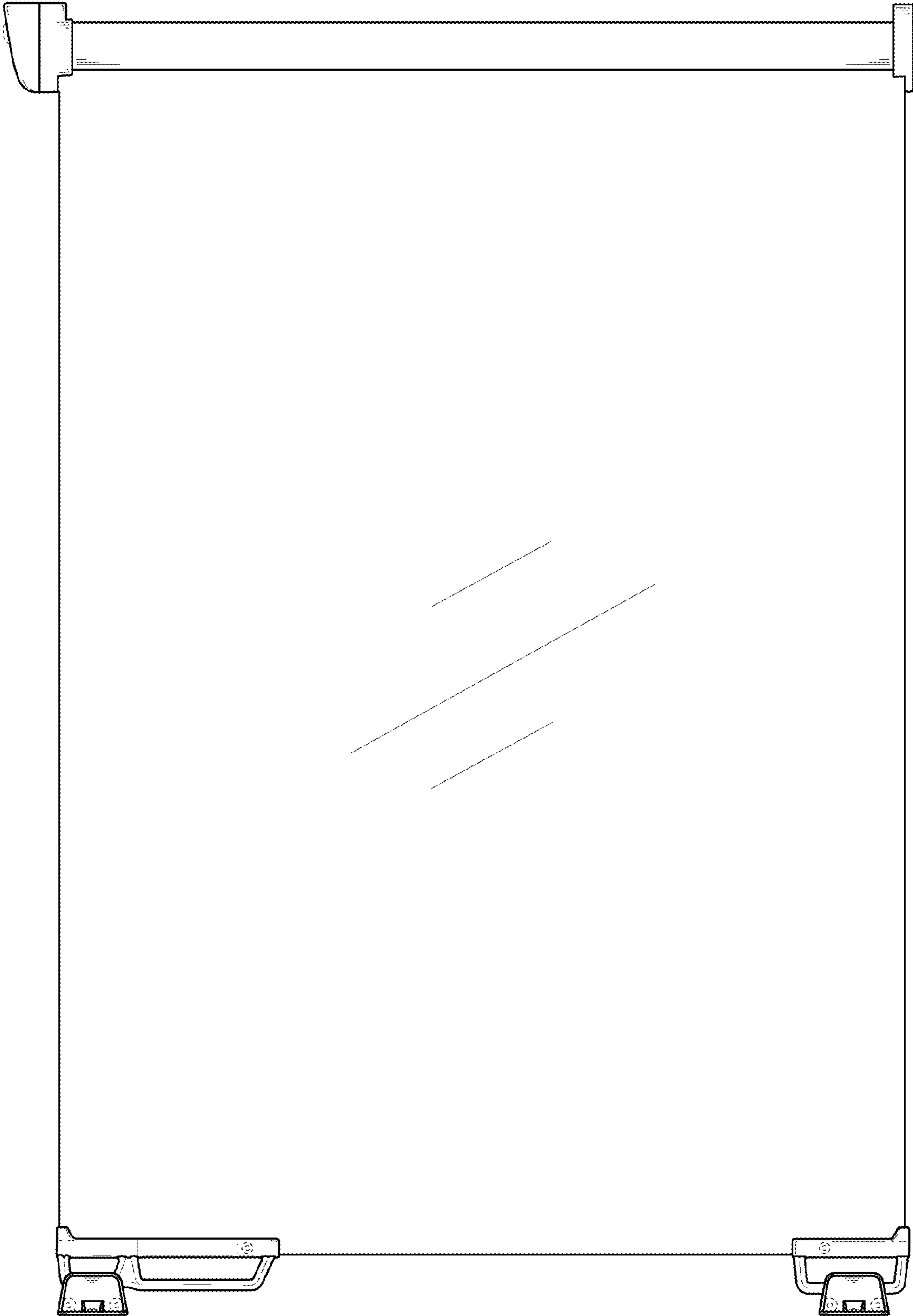


FIG. 3

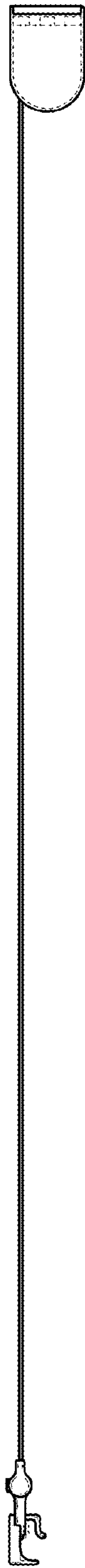


FIG. 4

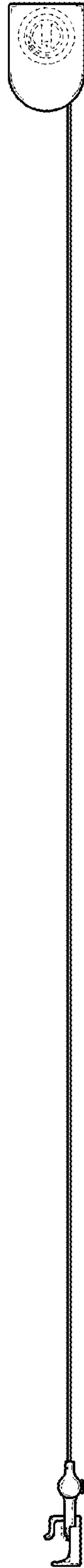


FIG. 5



FIG. 6





FIG. 7