



US00D941493S

(12) **United States Design Patent** (10) **Patent No.:** **US D941,493 S**  
**Pepin et al.** (45) **Date of Patent:** **\*\* Jan. 18, 2022**

(54) **DOOR FACING**

(71) Applicant: **Masonite Corporation**, Tampa, FL (US)

(72) Inventors: **Alan Pepin**, Saint Cloud, FL (US);  
**Patrick C. Ege**, Westmont, IL (US)

(73) Assignee: **Masonite Corporation**, Tampa, FL (US)

(\*\*) Term: **15 Years**

(21) Appl. No.: **29/746,364**

(22) Filed: **Aug. 13, 2020**

**Related U.S. Application Data**

(62) Division of application No. 29/657,173, filed on Jul. 19, 2018, now Pat. No. Des. 893,752.

(51) **LOC (13) Cl.** ..... **25-02**

(52) **U.S. Cl.**  
USPC ..... **D25/48.3**

(58) **Field of Classification Search**  
USPC ..... D6/703, 703.1, 703.2; D25/48.1, 48.3,  
D25/48.4, 48.5, 138

(Continued)

(56) **References Cited**

**U.S. PATENT DOCUMENTS**

D586,475 S \* 2/2009 Maher ..... D25/48.3  
D590,512 S \* 4/2009 Mock ..... D25/48.3

(Continued)

*Primary Examiner* — Leanne Was-Englehart

(74) *Attorney, Agent, or Firm* — Berenato & White, LLC

(57) **CLAIM**

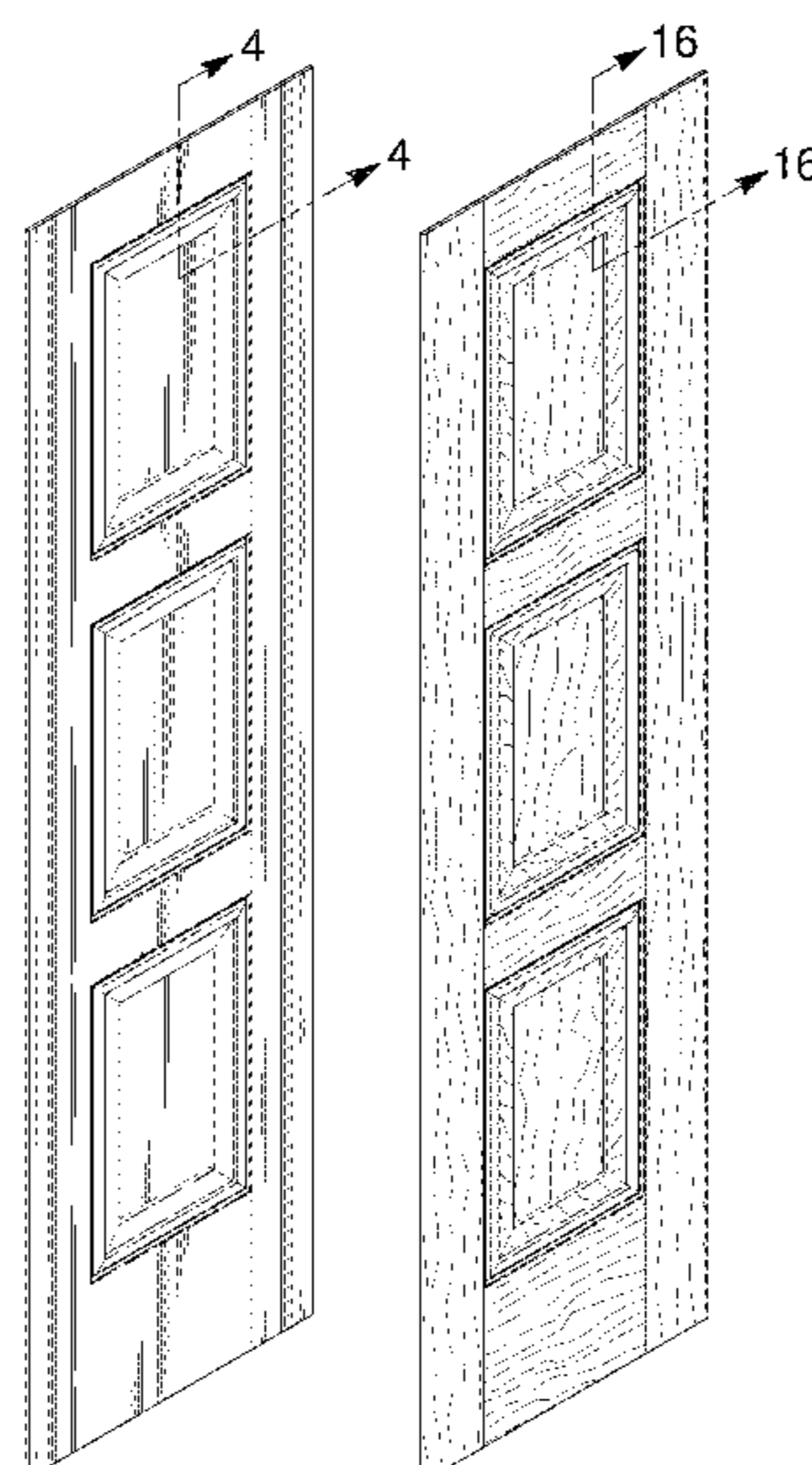
The ornamental design for a door facing, as shown and described.

**DESCRIPTION**

FIG. 1 is a front perspective view of a first version of our door facing;

FIG. 2 is a front elevational view;  
FIG. 3 is a rear elevational view;  
FIG. 4 is an enlarged cross sectional view taken along the line 4-4 of FIG. 1;  
FIG. 5 is a top view;  
FIG. 6 is a bottom view;  
FIG. 7 is a cross sectional view taken along the line 7-7 of FIG. 2;  
FIG. 8 is an enlarged cross sectional view of the encircled portion of FIG. 7;  
FIG. 9 is a right side view;  
FIG. 10 is a left side view;  
FIG. 11 is a cross sectional view taken along the line 11-11 of FIG. 2;  
FIG. 12 is an enlarged cross sectional view of the encircled portion of FIG. 11;  
FIG. 13 is a front perspective view of a second version of our door facing;  
FIG. 14 is a front elevational view;  
FIG. 15 is a rear elevational view;  
FIG. 16 an enlarged cross sectional view taken along the line 16-16 of FIG. 13;  
FIG. 17 is a top view;  
FIG. 18 is a bottom view;  
FIG. 19 is a cross sectional view taken along the line 19-19 of FIG. 14;  
FIG. 20 is an enlarged fragmentary cross sectional view of the encircled portion of FIG. 18;  
FIG. 21 is a right side view;  
FIG. 22 is a left side view;  
FIG. 23 is a cross sectional view taken along the line 23-23 of FIG. 14; and,  
FIG. 24 is an enlarged cross sectional view of the encircled portion of FIG. 23.  
The evenly spaced broken lines depict portions of the door facing that form no part of the claimed design. The dot-dot-dash broken line circles depict the limits of the enlarged views and form no part of the claimed design.

**1 Claim, 14 Drawing Sheets**



(58) **Field of Classification Search**

CPC ..... E06B 3/4636; E06B 3/485; E06B 3/58;  
E06B 3/5892; E06B 3/7001; E06B 3/72;  
E06B 3/78; E06B 2003/7044; E06B  
2003/7048; E06B 1/04; E06B 1/006;  
E06B 1/524; E06B 5/00; E04C 2/36

See application file for complete search history.

(56) **References Cited**

U.S. PATENT DOCUMENTS

D590,513	S	*	4/2009	Mock	.....	D25/48.3
D590,955	S	*	4/2009	Mock	.....	D25/48.3
D590,956	S	*	4/2009	Mock	.....	D25/48.3
D594,133	S	*	6/2009	Williams	.....	D25/48.3
D594,992	S	*	6/2009	Williams	.....	D25/48.3
D598,133	S	*	8/2009	Davina	.....	D25/48.3
D617,005	S	*	6/2010	Mullet	.....	D25/48.3
D621,062	S	*	8/2010	Mullet	.....	D25/48.3
D623,313	S	*	9/2010	Maher	.....	D25/48.3
D661,814	S	*	6/2012	Lynch	.....	D25/48.3
D893,751	S	*	8/2020	Pepin	.....	E06B 3/7001 D25/48.3
D893,752	S	*	8/2020	Pepin	.....	E06B 3/822 D25/48.3
D919,120	S	*	5/2021	Pepin	.....	E06B 3/822 D25/48.3
2009/0044471	A1	*	2/2009	Harlin	.....	E06B 3/825 52/309.13

\* cited by examiner

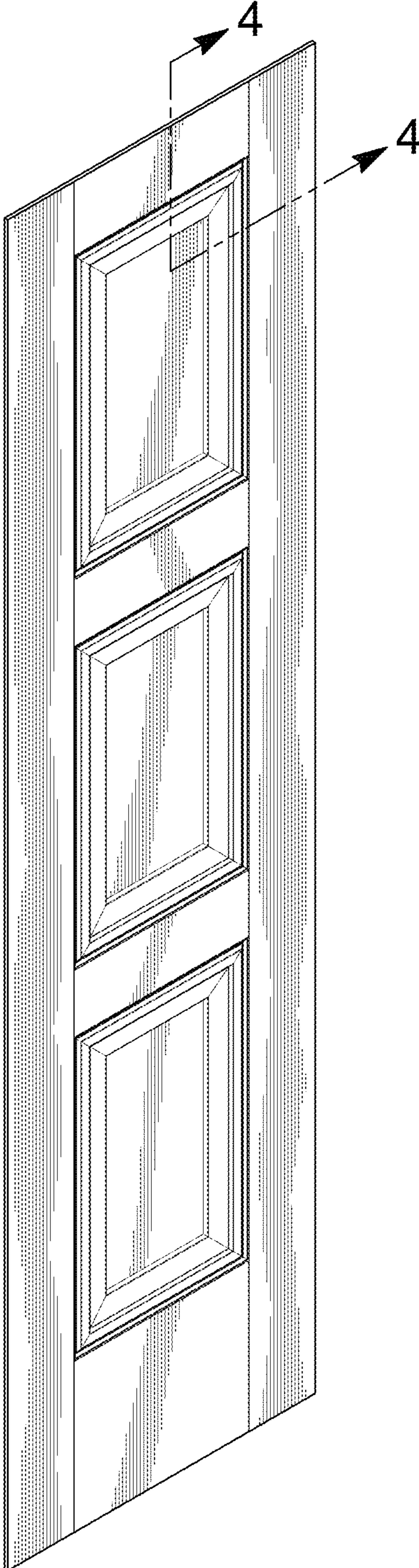


FIG. 1



FIG. 2

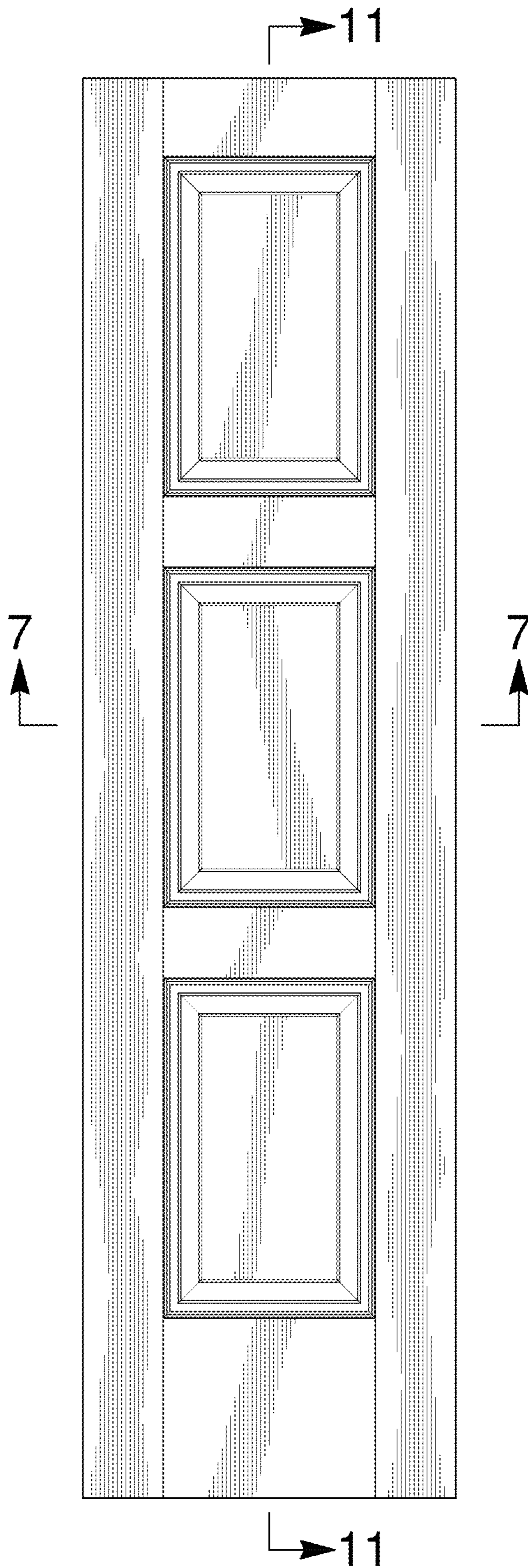


FIG. 3

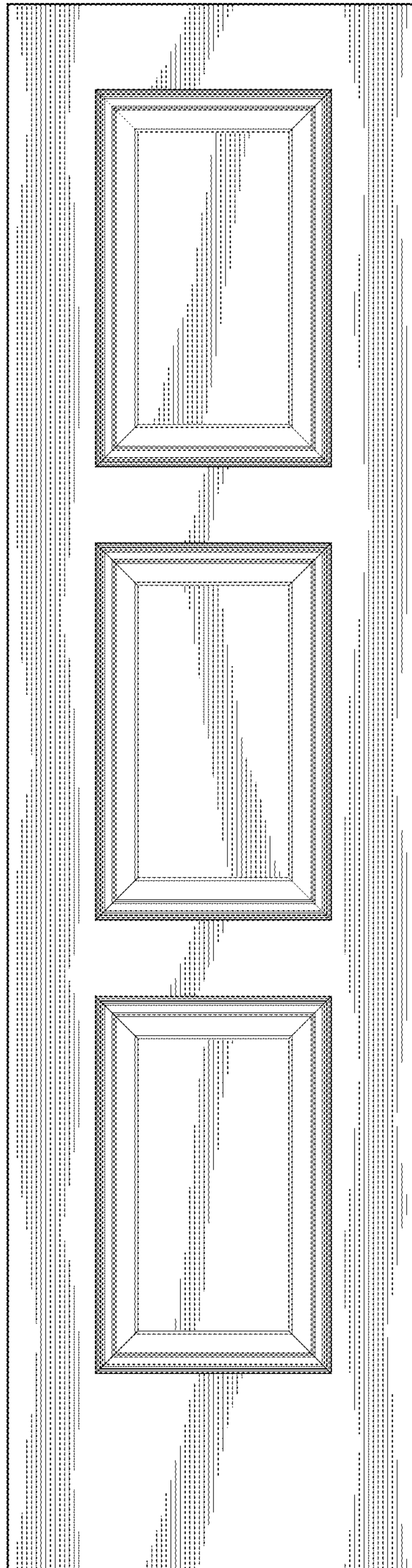


FIG. 4

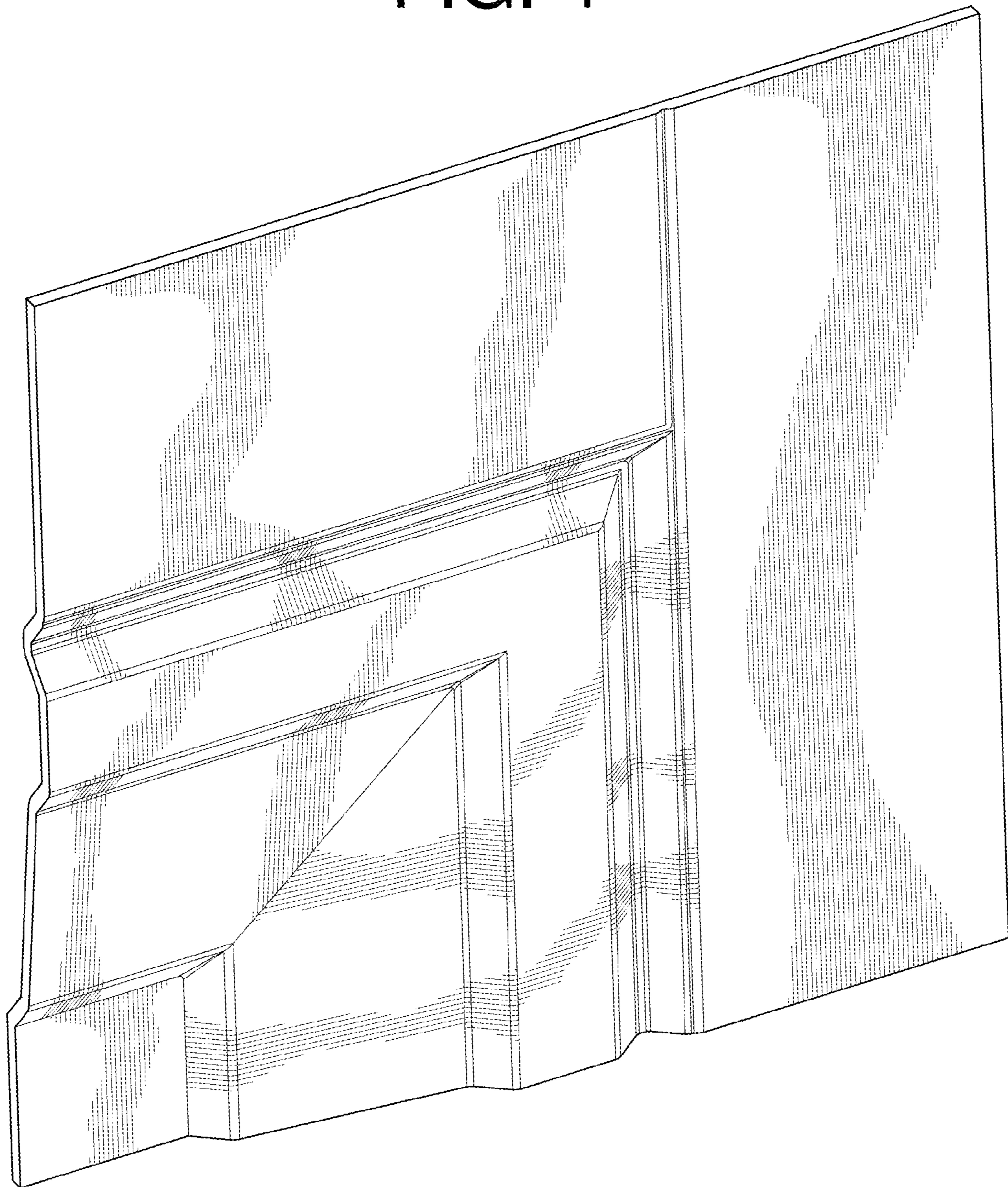




FIG. 5

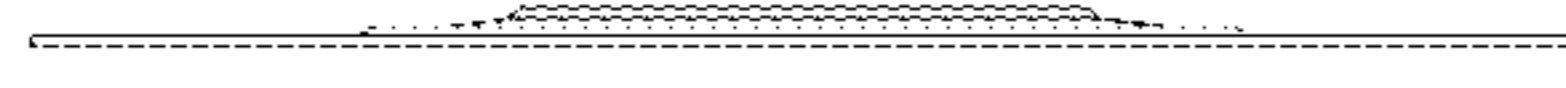


FIG. 6

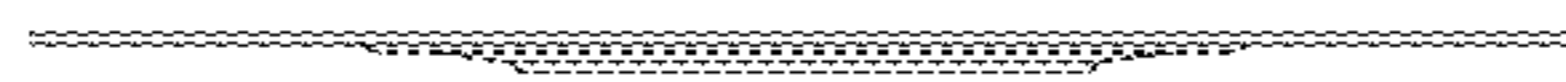


FIG. 7

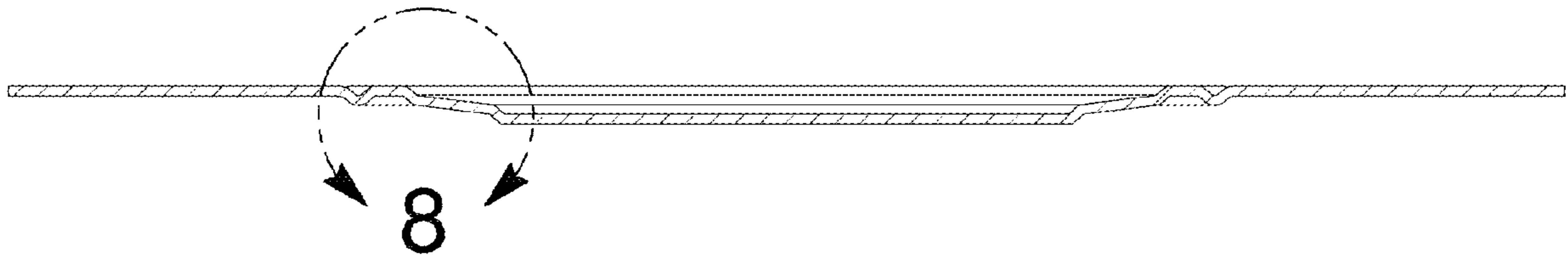


FIG. 8

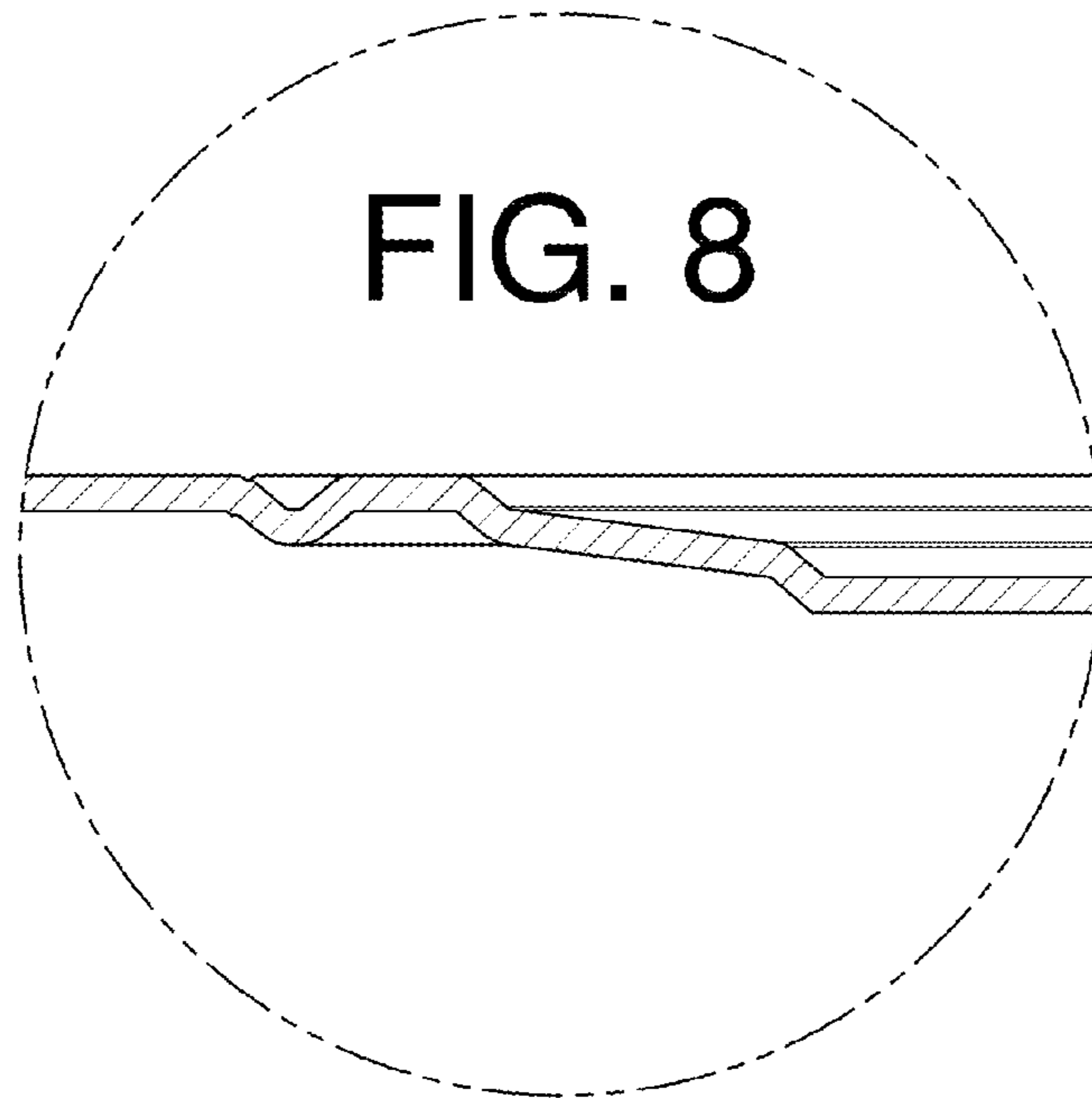


FIG. 9



FIG. 10



FIG. 11

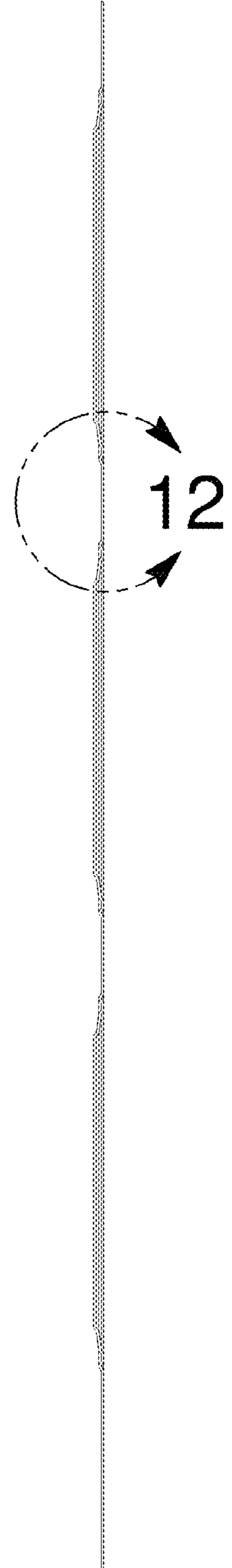
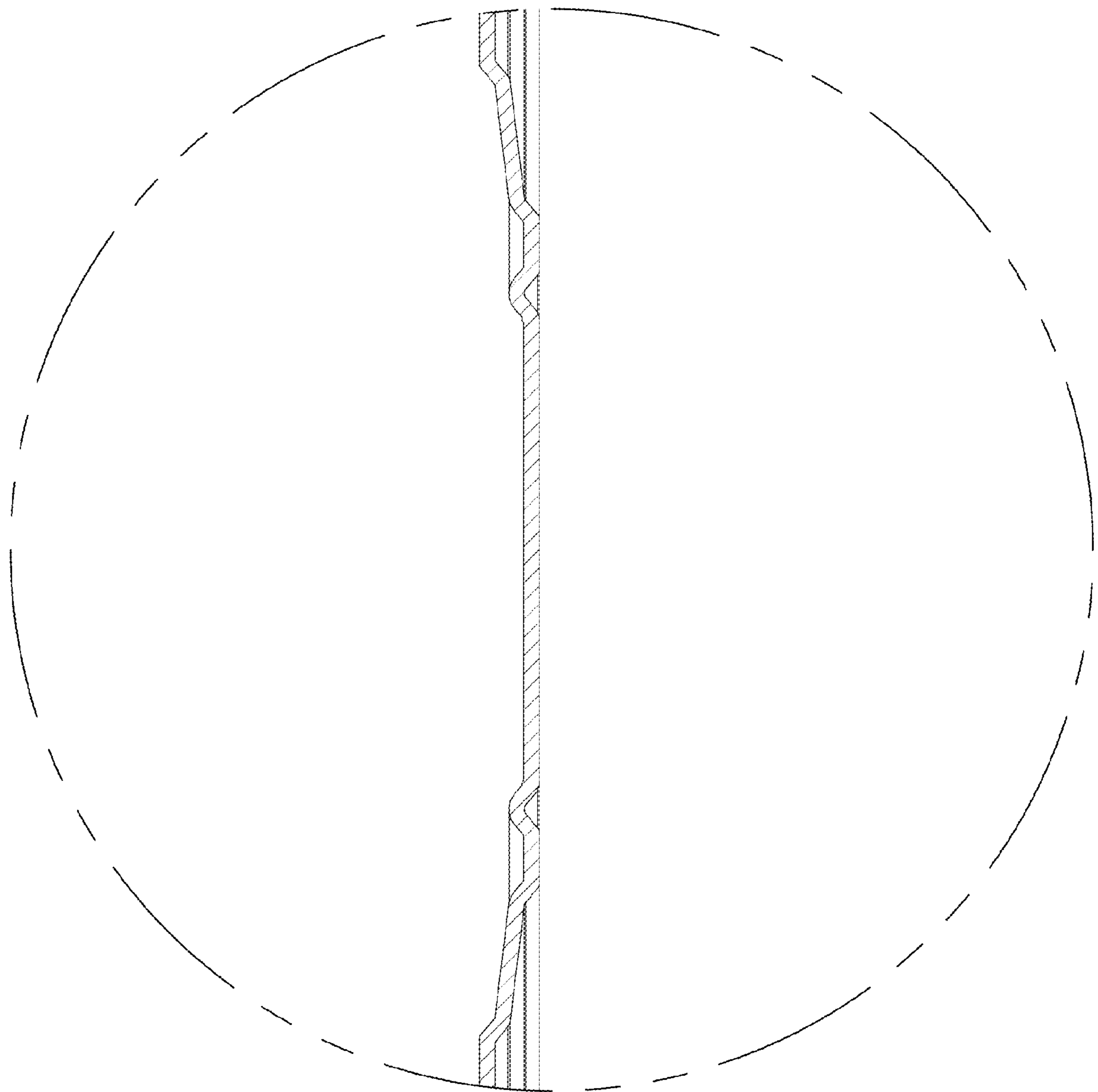




FIG. 12



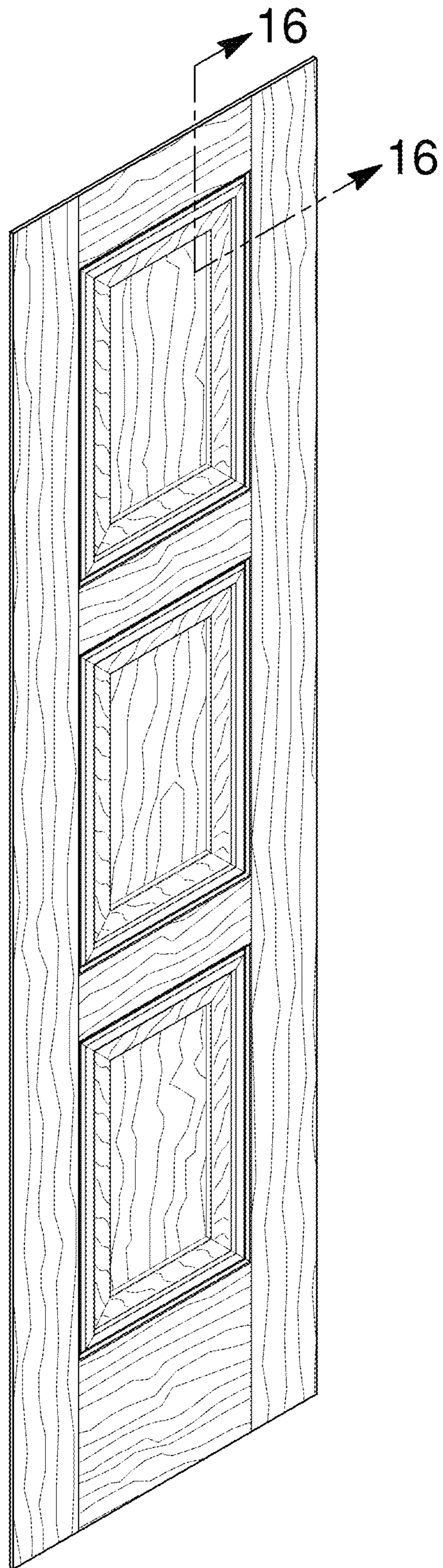


FIG. 13

FIG. 14

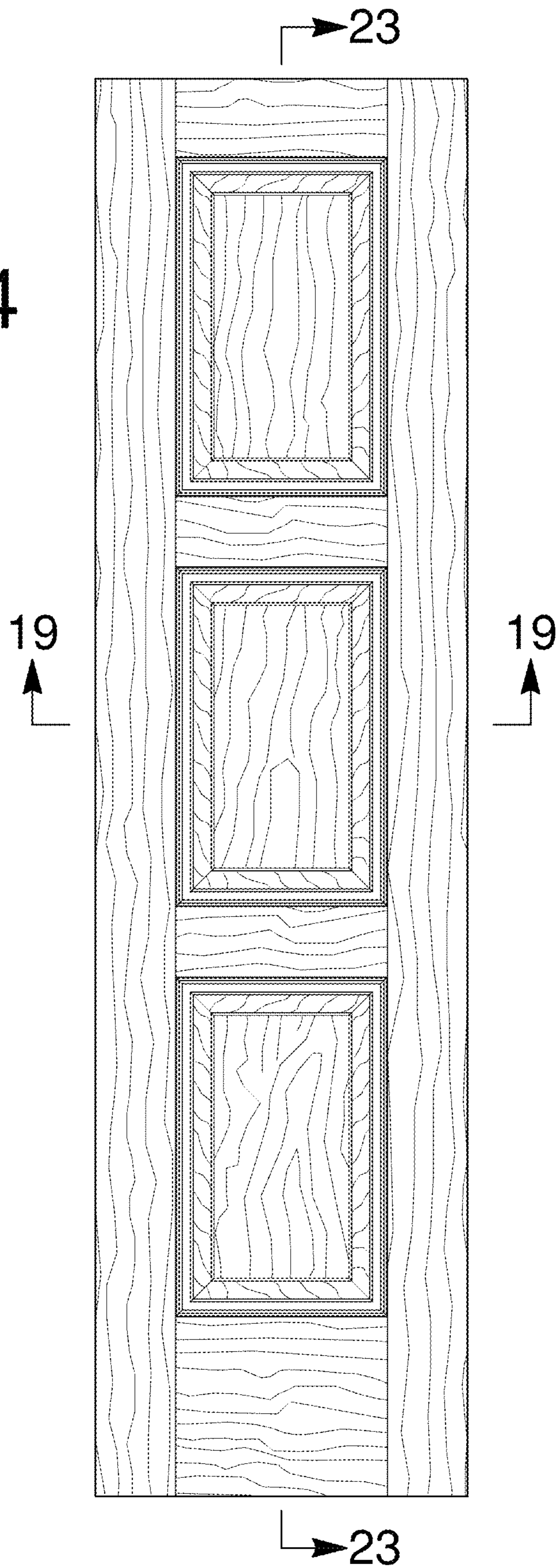


FIG. 15

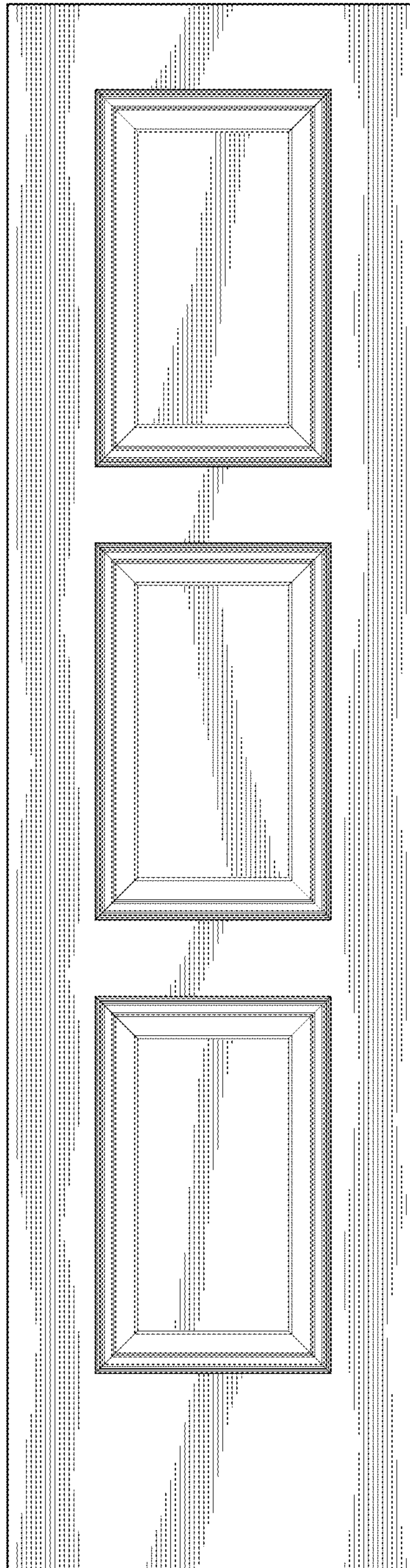




FIG. 16

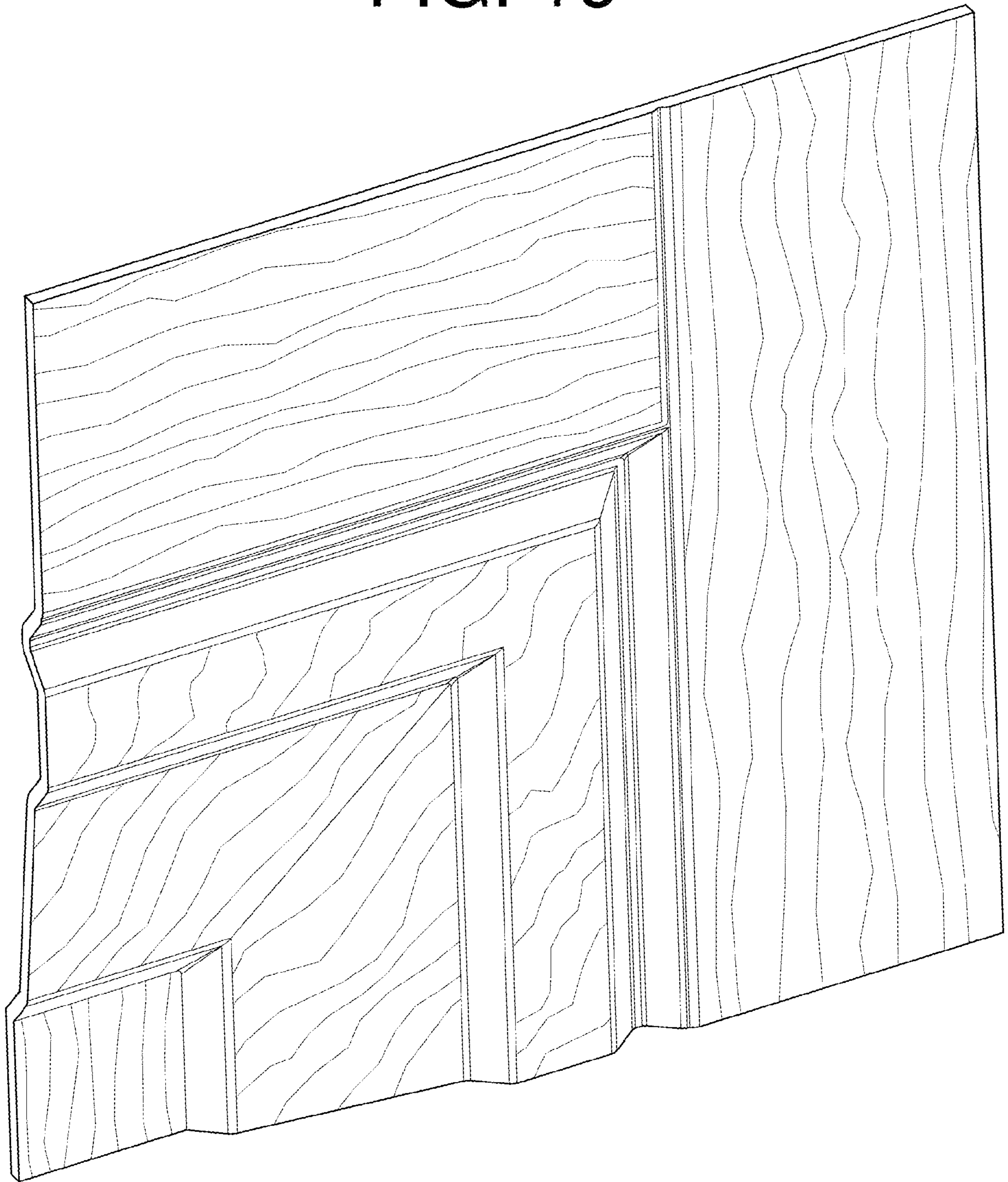


FIG. 17

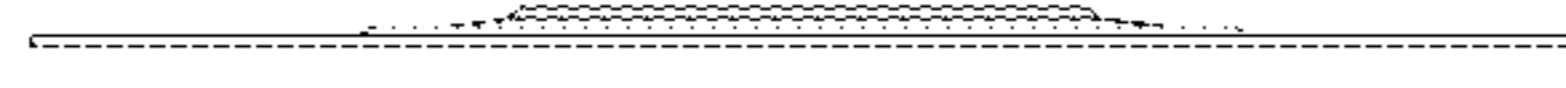


FIG. 18

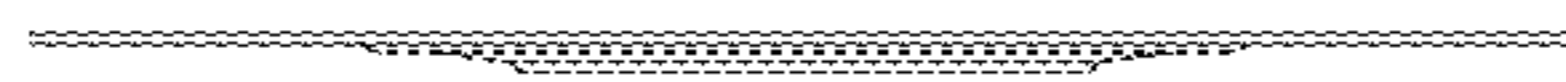


FIG. 19

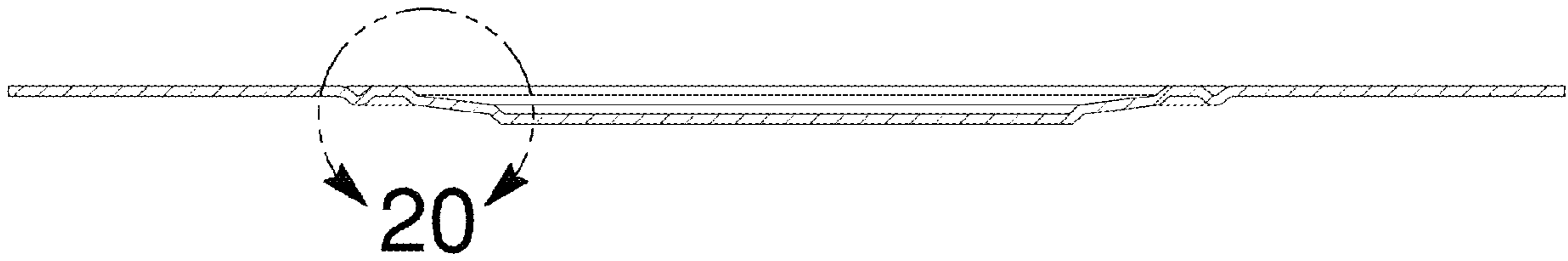


FIG. 20

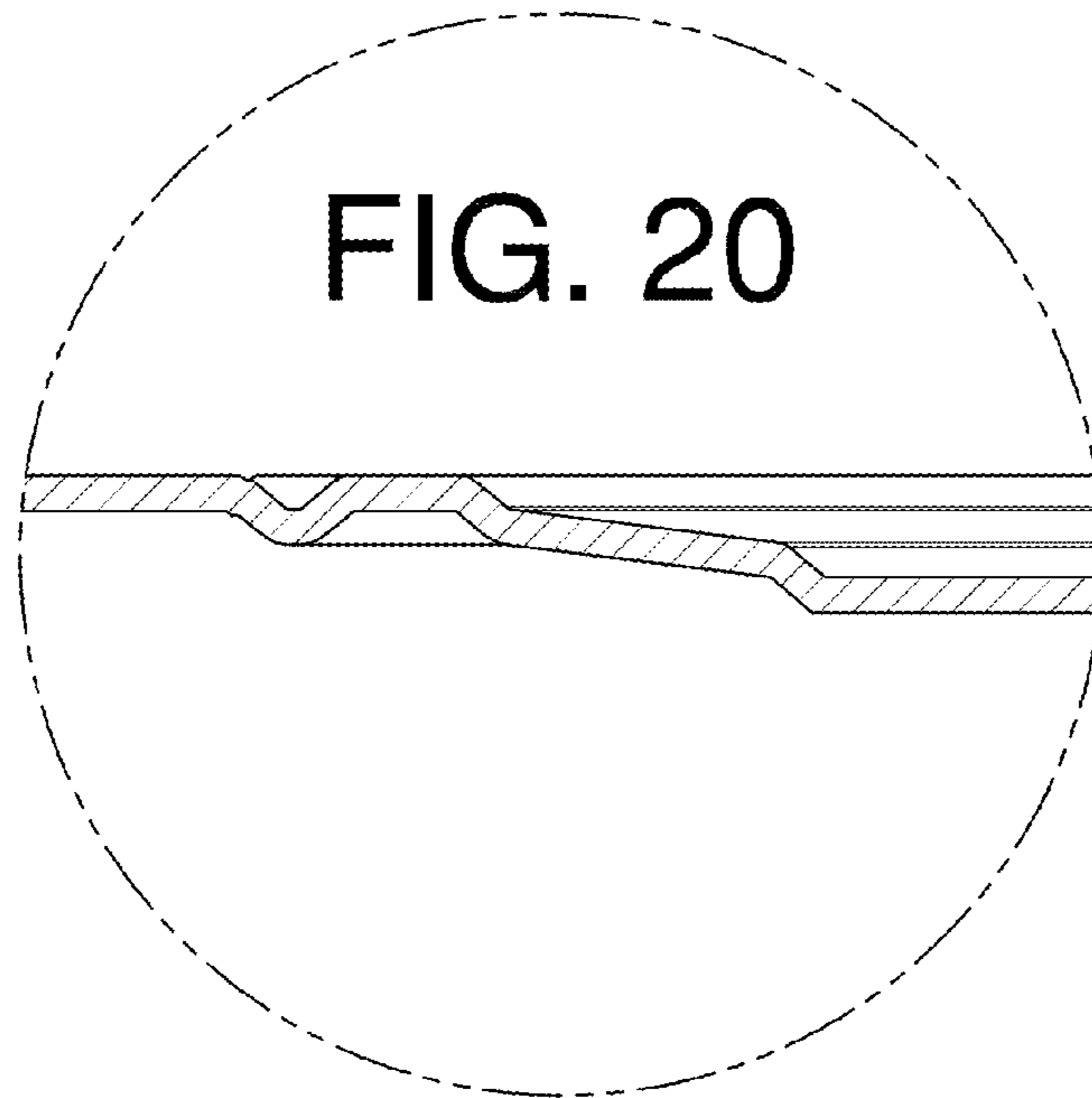


FIG. 21



FIG. 22



FIG. 23

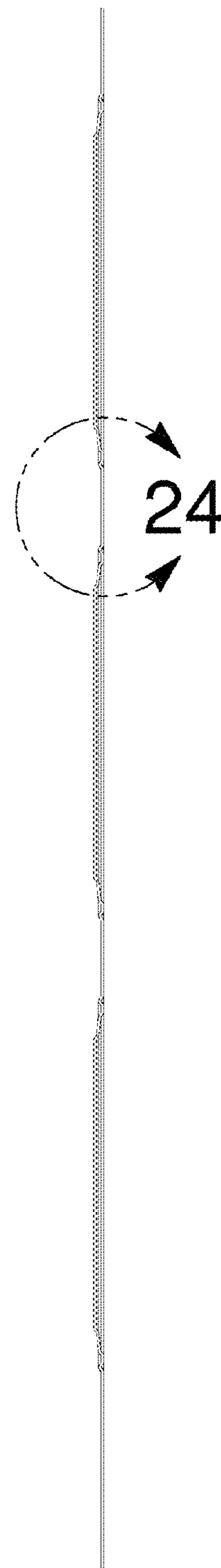


FIG. 24

