



US00D941491S

(12) **United States Design Patent** (10) **Patent No.:** **US D941,491 S**
Klein et al. (45) **Date of Patent:** **** Jan. 18, 2022**

(54) **THERMAL CYCLER HOUSING**
(71) Applicants: **LIFE TECHNOLOGIES CORPORATION**, Carlsbad, CA (US); **LIFE TECHNOLOGIES HOLDINGS PTE LIMITED**, Singapore (SG)
(72) Inventors: **Sandro Klein**, Irvine, CA (US); **Beng Heng Lim**, Singapore (SG)
(73) Assignees: **LIFE TECHNOLOGIES CORPORATION**, Carlsbad, CA (US); **LIFE TECHNOLOGIES HOLDINGS PTE LIMITED**, Singapore (SG)

D647,209 S 10/2011 Mueller et al.
8,046,175 B2 10/2011 Kuo et al.
8,859,271 B2 10/2014 Shin et al.
D717,968 S 11/2014 Klein et al.
D731,673 S 6/2015 Klein et al.
D733,917 S 7/2015 Klein et al.

(Continued)

Primary Examiner — Anhdao Doan

(57) **CLAIM**

The ornamental design for a thermal cycler housing, as shown and described.

DESCRIPTION

FIG. 1 is a front perspective view of a first embodiment showing our new design;
FIG. 2 is a bottom perspective view thereof;
FIG. 3 is a front view thereof;
FIG. 4 is a rear view thereof;
FIG. 5 is a left side view thereof;
FIG. 6 is a right side view thereof;
FIG. 7 is a top view thereof;
FIG. 8 is a bottom view thereof;
FIG. 9 is a front perspective view thereof with the cover open;
FIG. 10 is a front prospective view of a second embodiment showing our new design;
FIG. 11 is a bottom perspective view thereof;
FIG. 12 is a front view thereof;
FIG. 13 is a rear view thereof;
FIG. 14 is a left side view thereof;
FIG. 15 is a right side view thereof;
FIG. 16 is a top view thereof;
FIG. 17 is a bottom view thereof; and,
FIG. 18 is a front perspective view thereof with the cover open.
The broken lines are for the purpose of illustrating portions of the thermal cycler housing that form no part of the claimed design.

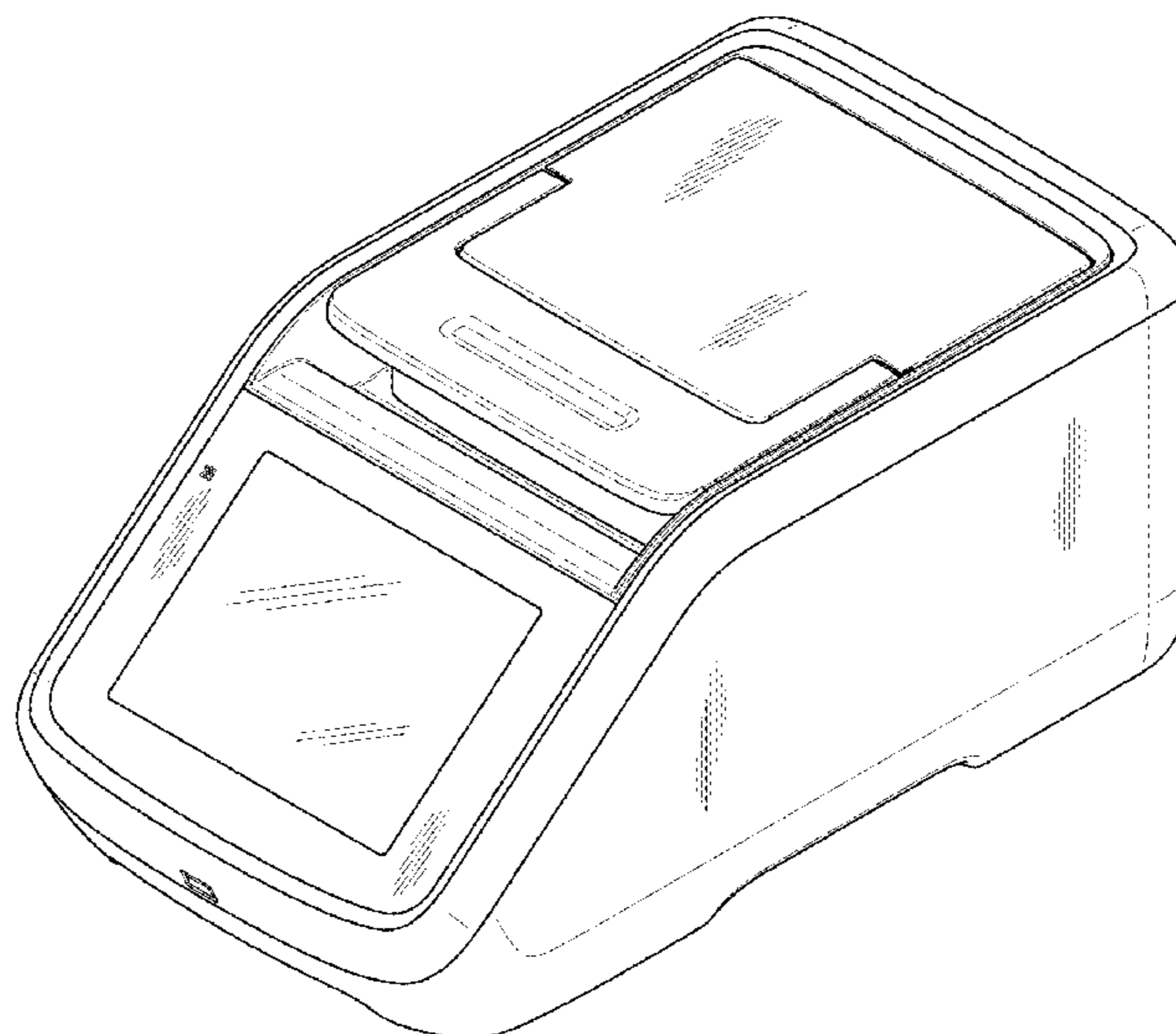
(**) Term: **15 Years**
(21) Appl. No.: **29/745,515**
(22) Filed: **Aug. 6, 2020**
(51) **LOC (13) Cl.** **24-01**
(52) **U.S. Cl.**
USPC **D24/232**
(58) **Field of Classification Search**
USPC D24/107, 169, 186, 216, 219, 231, 232, D24/233; D10/81
CPC G01N 2035/00306; G01N 2035/00326; G01N 2035/00336; G01N 2030/027; G01N 21/76; G01N 21/6428; G01N 21/645; G01N 2201/068; G01N 33/5005; G01N 2500/10; C12Q 1/686; B01L 7/52
See application file for complete search history.

(56) **References Cited**

U.S. PATENT DOCUMENTS

D256,726 S 9/1980 Meuli et al.
5,525,300 A 6/1996 Danssaert et al.
D467,349 S 12/2002 Niedbala et al.
D537,951 S 3/2007 Okamoto et al.
D556,914 S 12/2007 Okamoto et al.
D571,480 S 6/2008 Beck et al.
D607,569 S 1/2010 Yukikado et al.

1 Claim, 18 Drawing Sheets



(56)

References Cited

U.S. PATENT DOCUMENTS

D775,365	S	12/2016	Mathers et al.	
D827,859	S	9/2018	Mathers et al.	
D834,724	S	11/2018	Mathers	
D865,218	S	10/2019	Mathers et al.	
D865,219	S *	10/2019	Mathers	D24/232
D923,199	S *	6/2021	Luther	D24/216
2010/0124766	A1	5/2010	Ng et al.	
2015/0253345	A1 *	9/2015	Lee	G01N 35/00029 436/162
2016/0228875	A1	8/2016	Toh et al.	
2016/0228876	A1	8/2016	Chu et al.	
2016/0361719	A1	12/2016	Courtney	
2017/0072398	A1	3/2017	Boo et al.	
2018/0120575	A1	5/2018	Chen et al.	
2020/0300877	A1 *	9/2020	Choi	G01N 35/0098

* cited by examiner

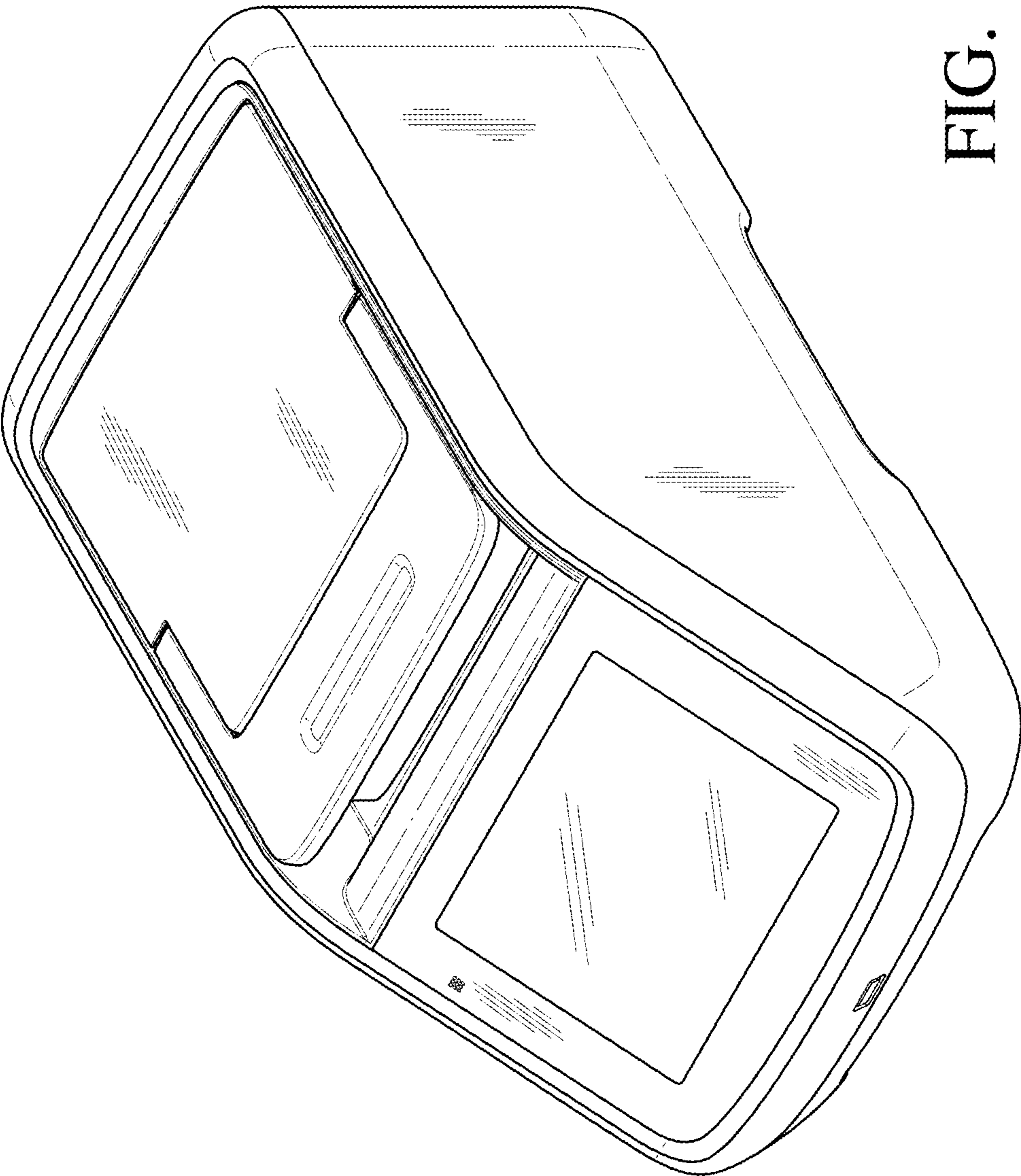


FIG. 1

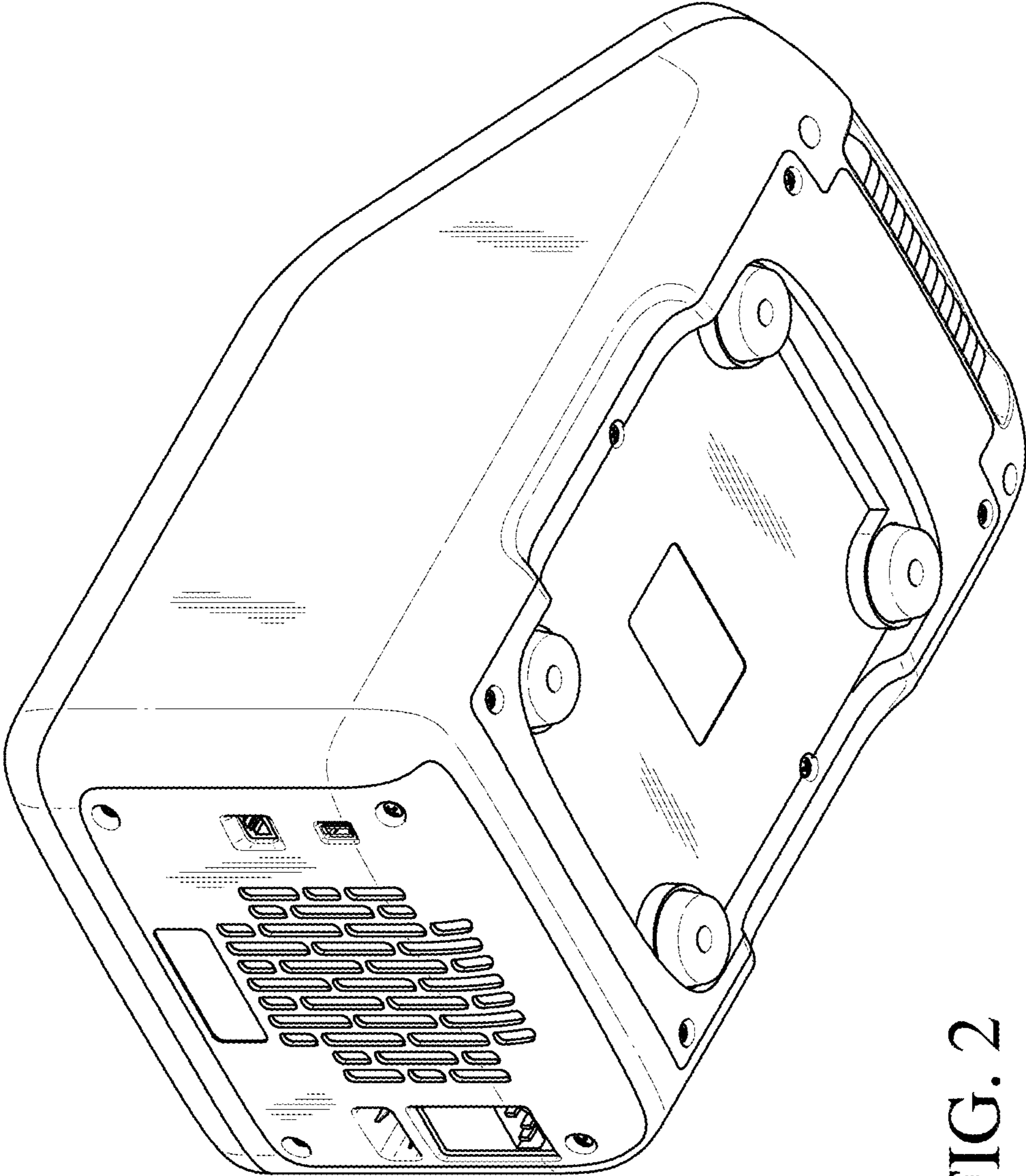


FIG. 2

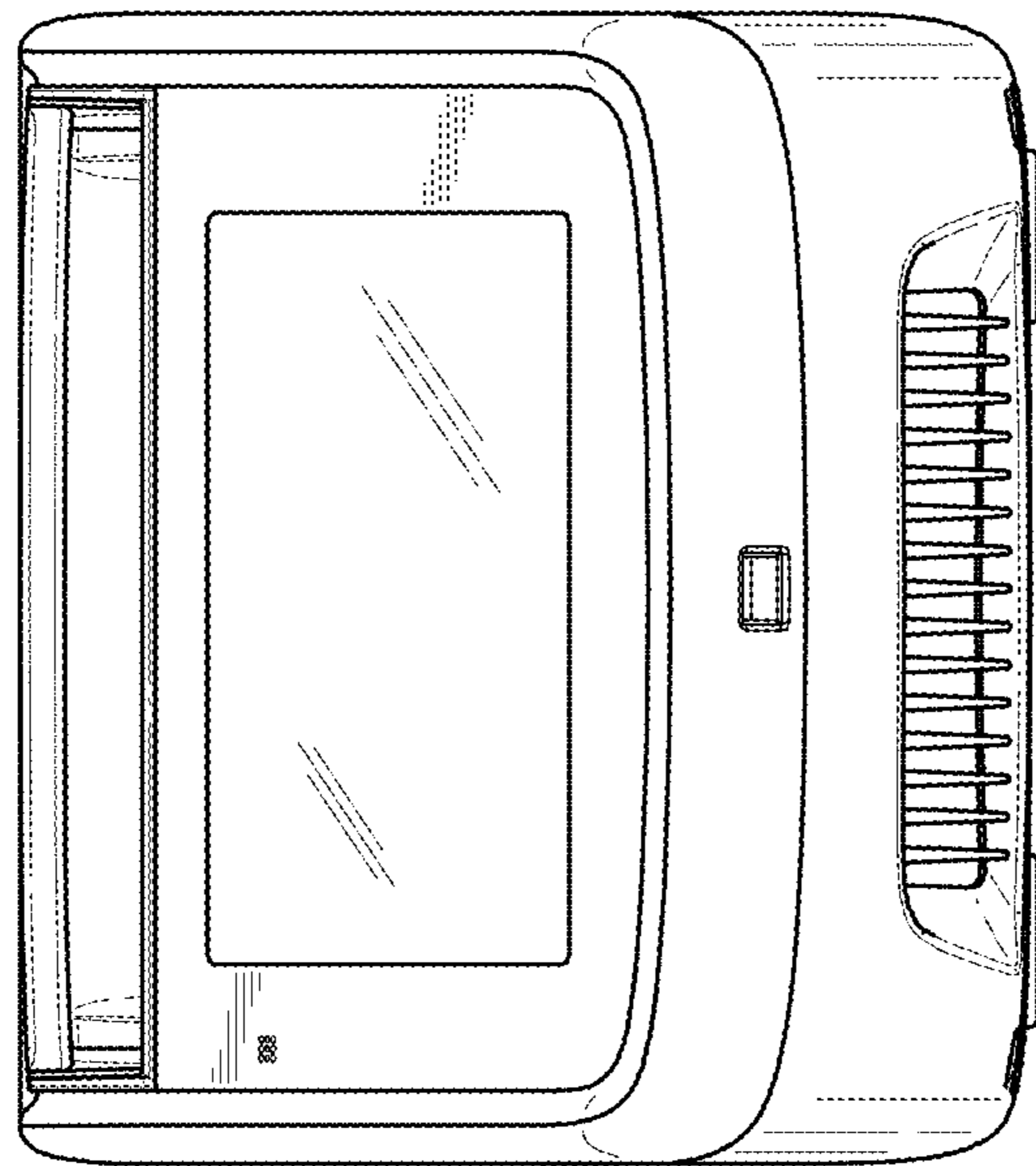


FIG. 3

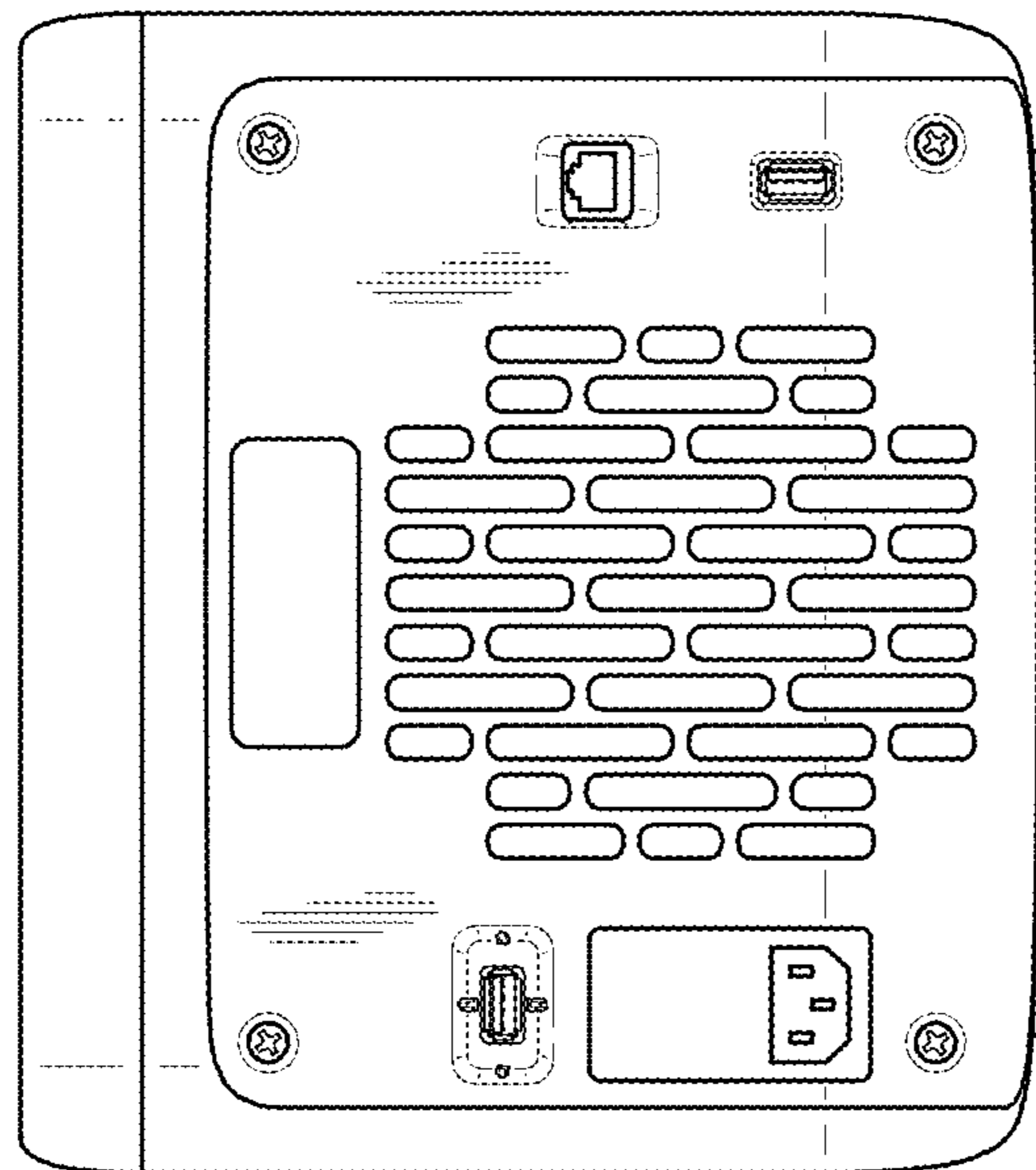


FIG. 4

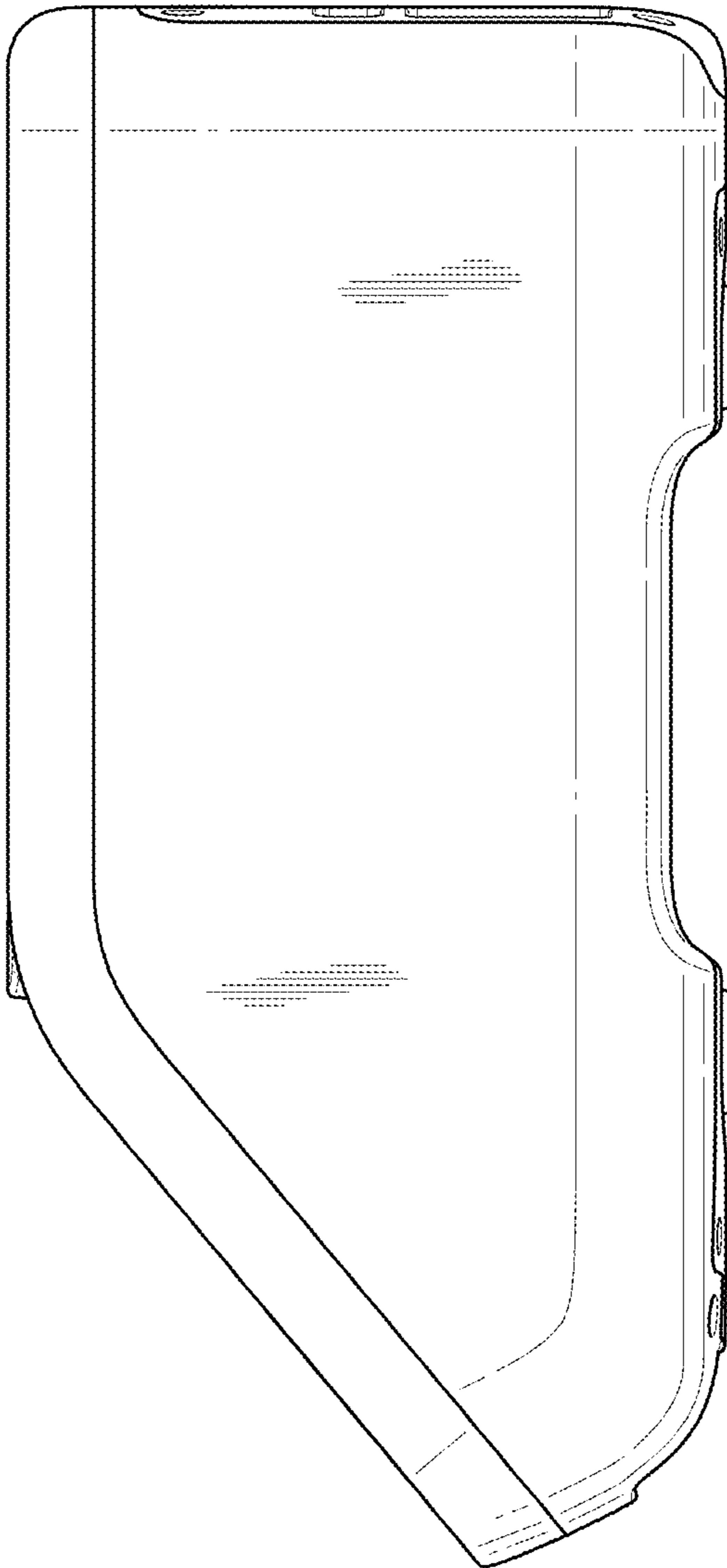


FIG. 5

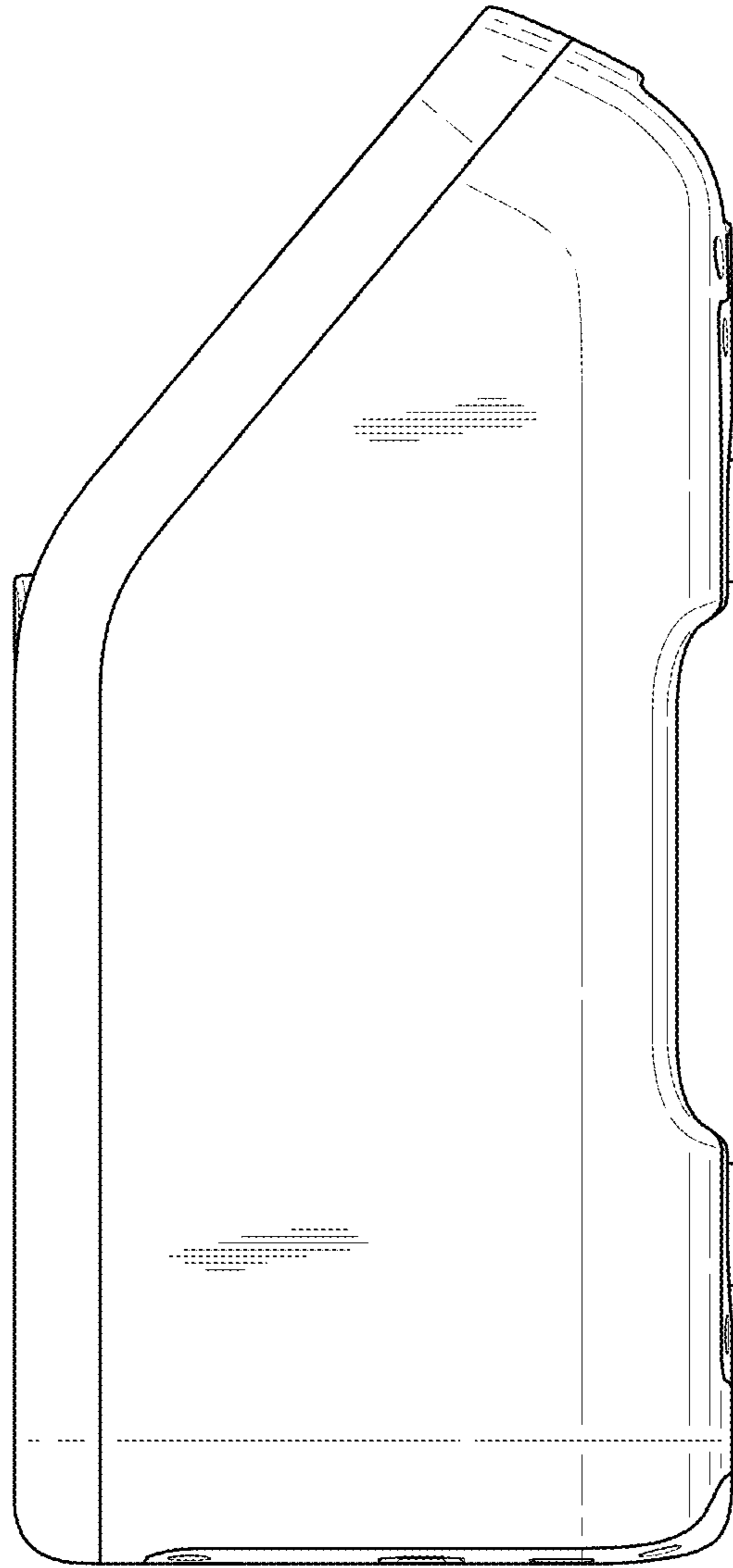


FIG. 6

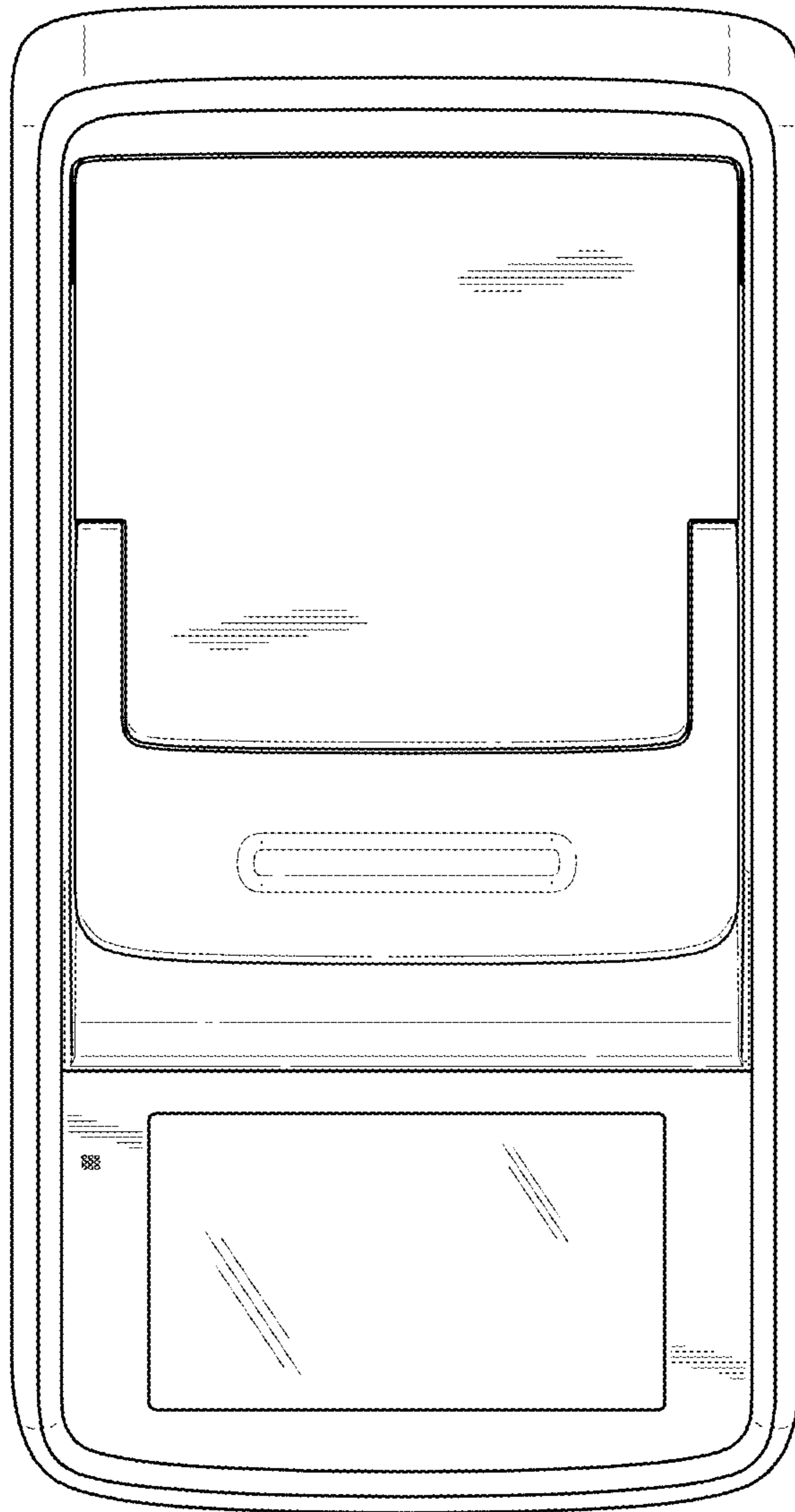


FIG. 7

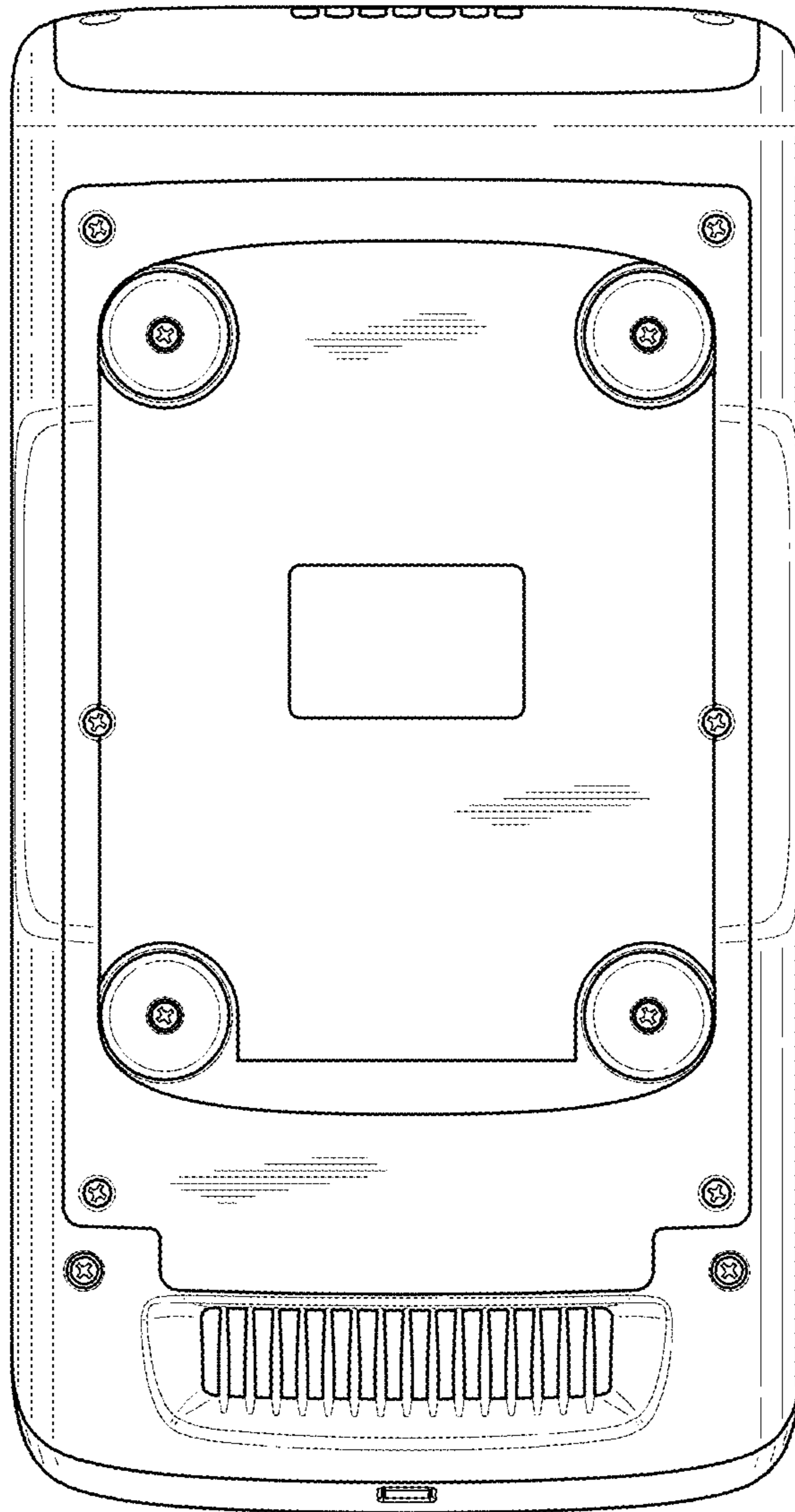


FIG. 8

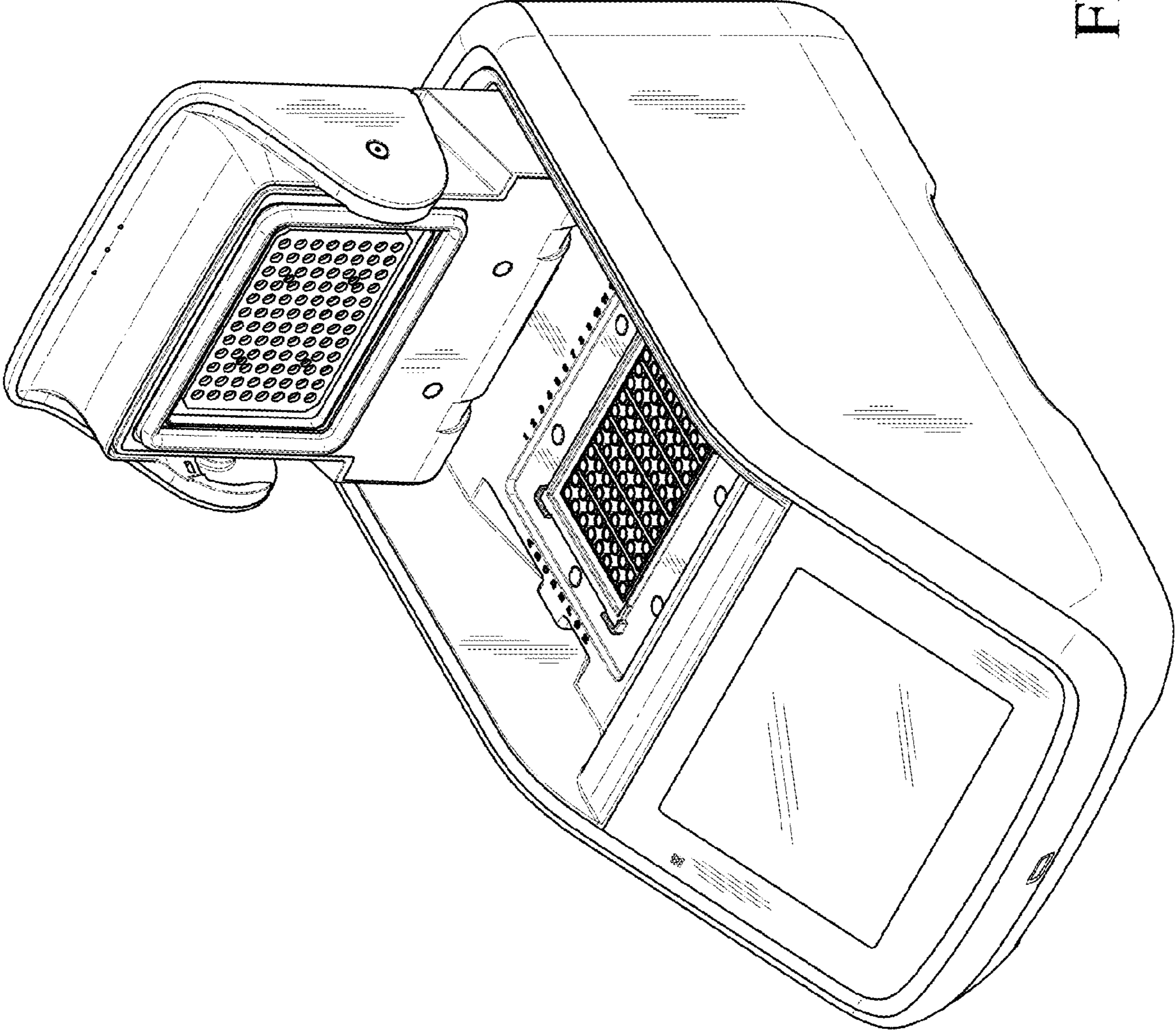


FIG. 9

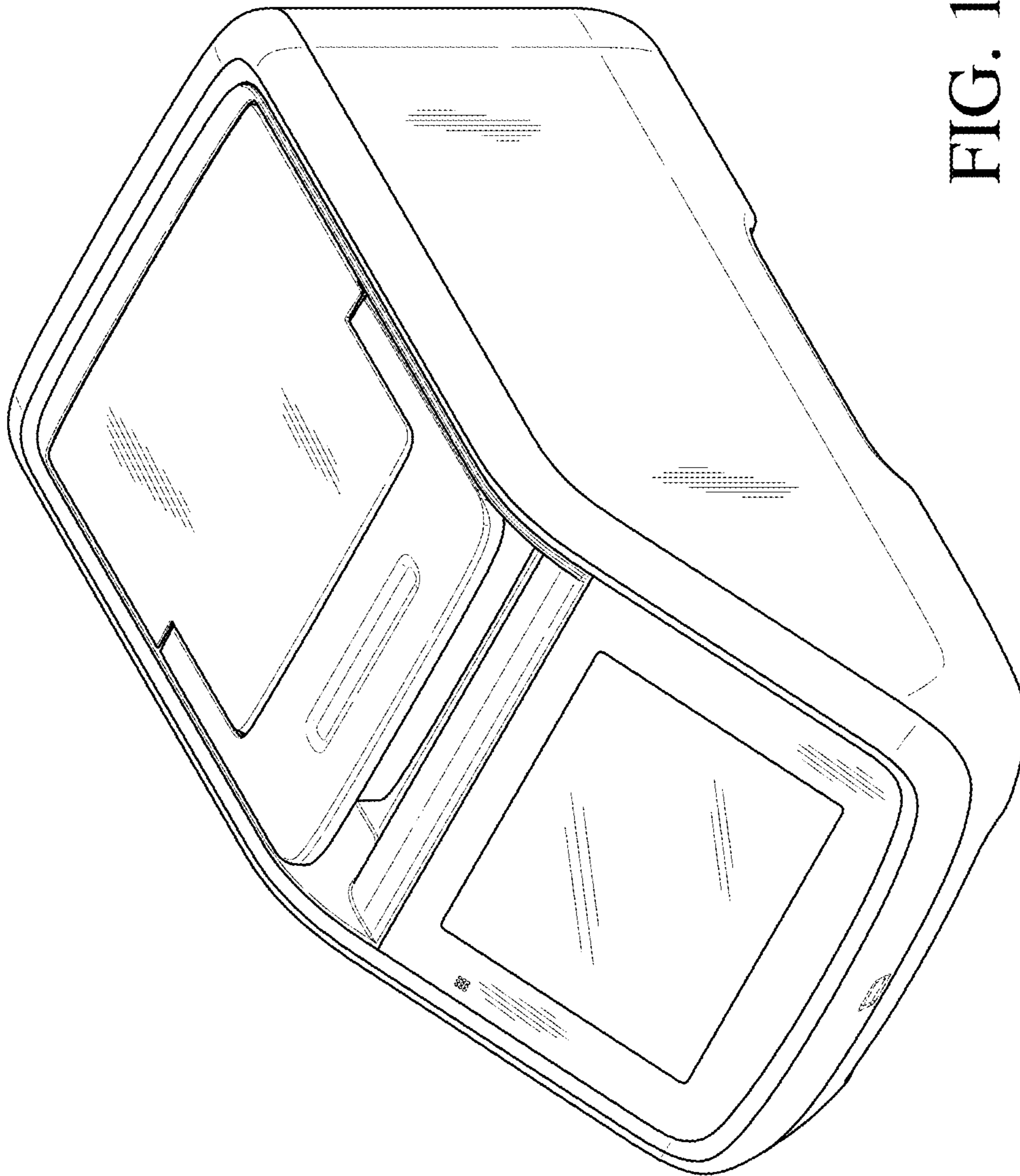


FIG. 10

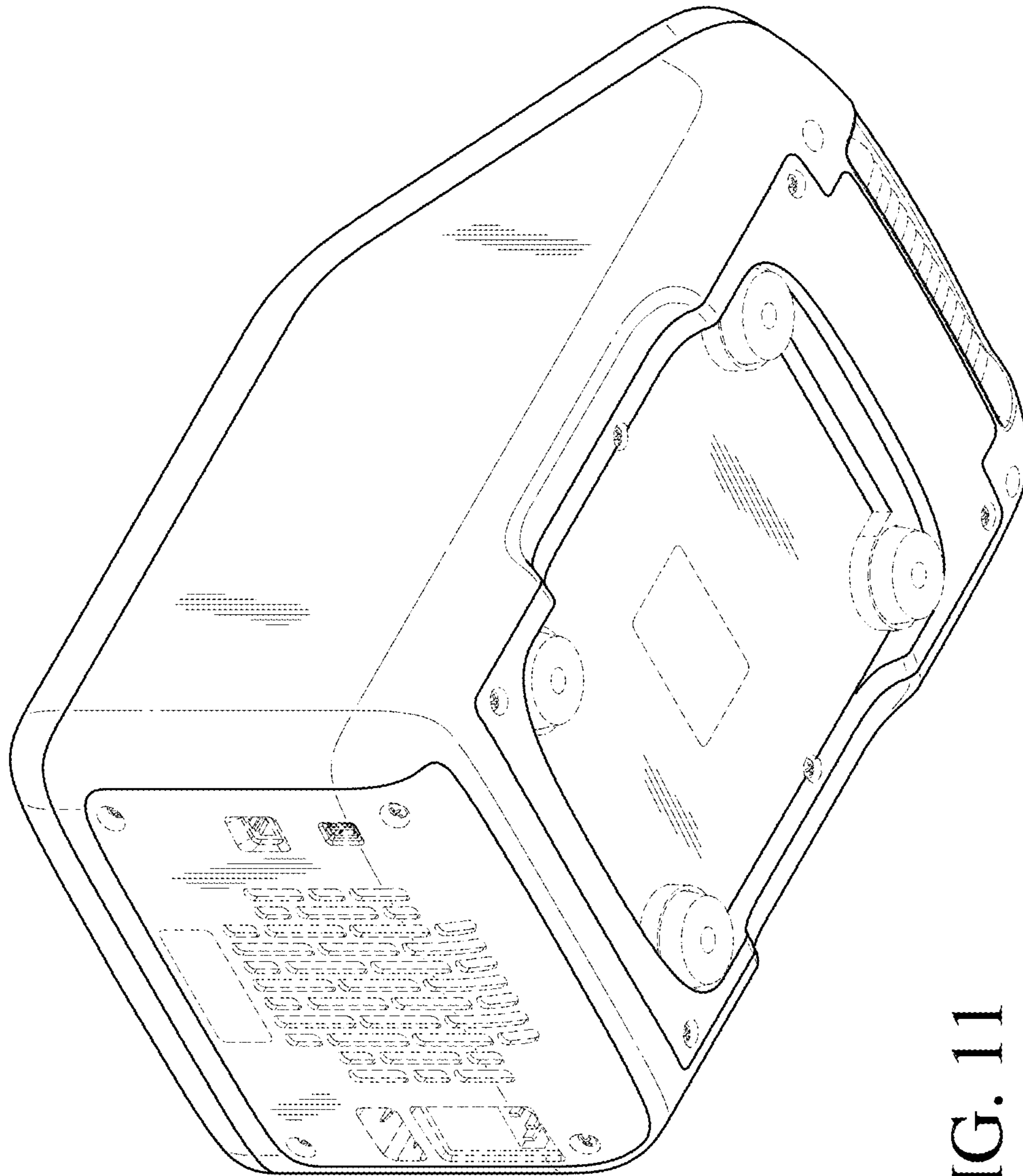


FIG. 11

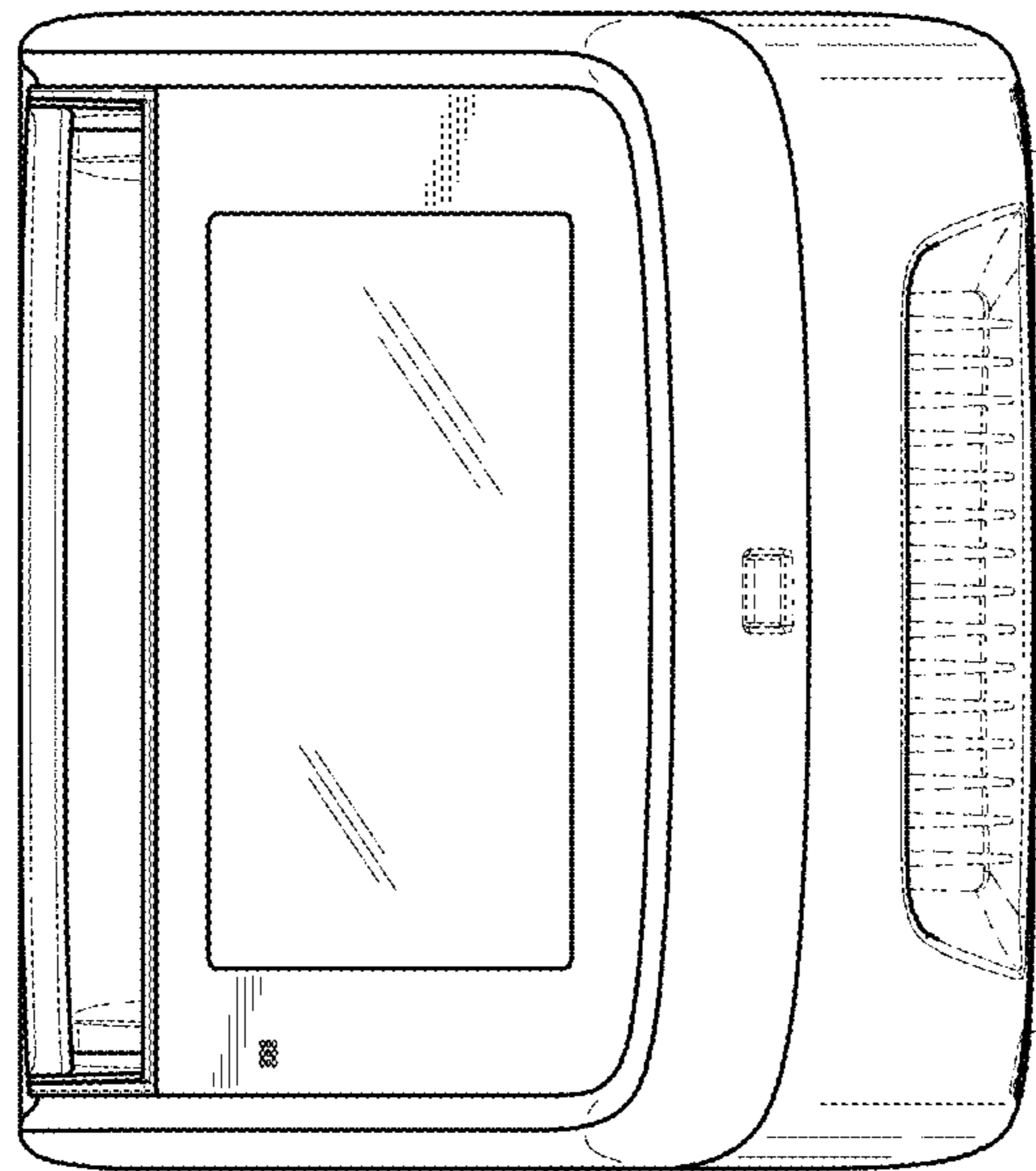


FIG. 12

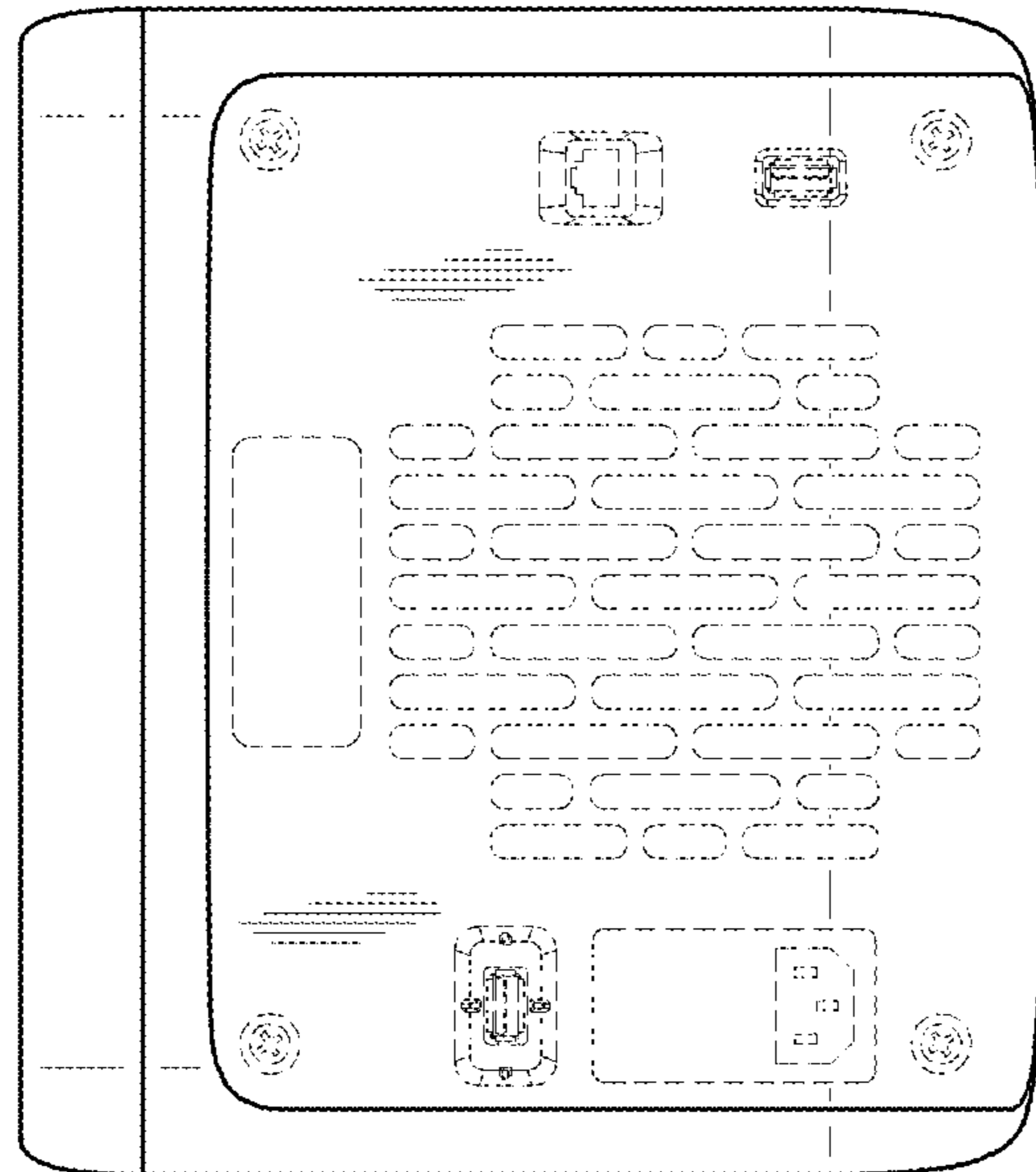


FIG. 13

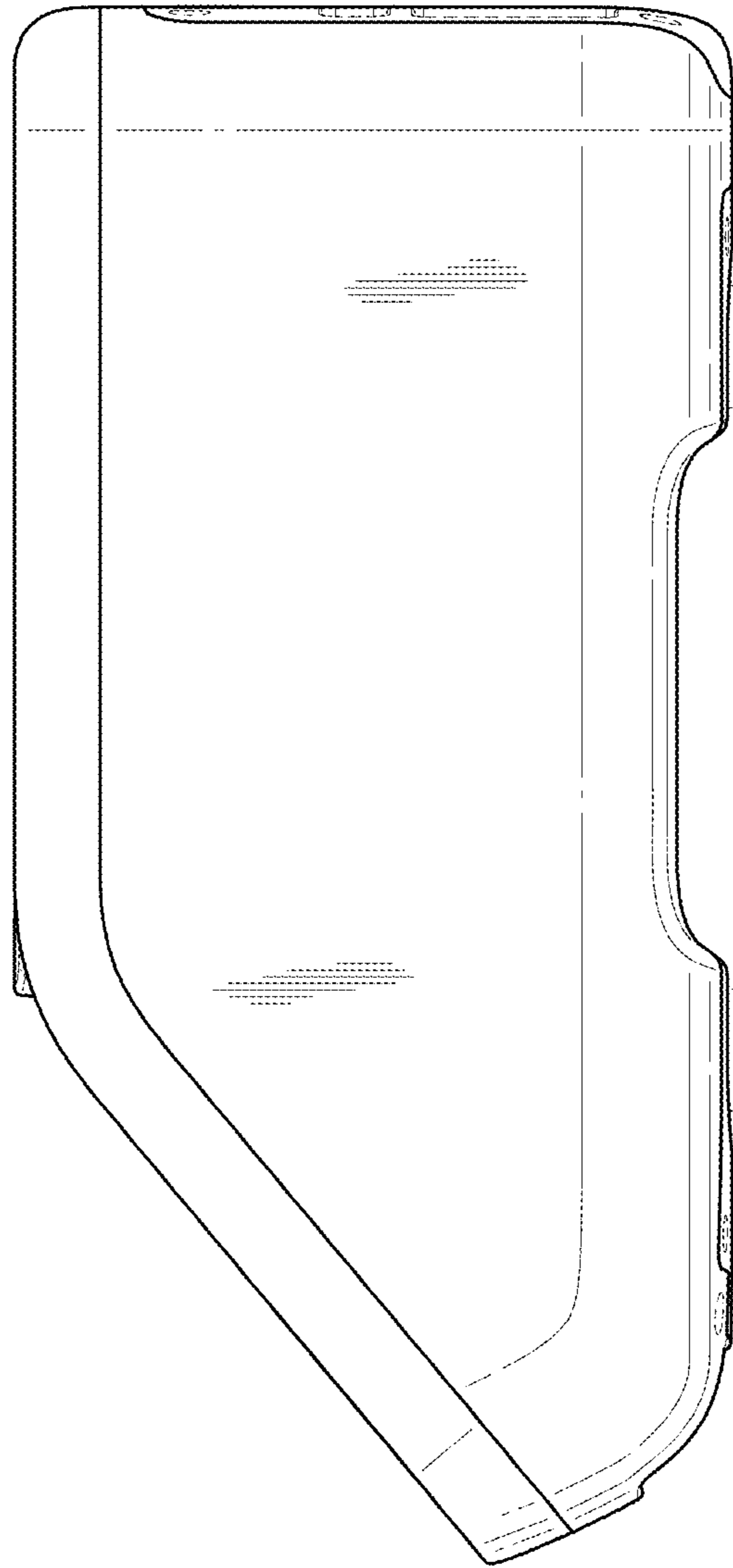


FIG. 14

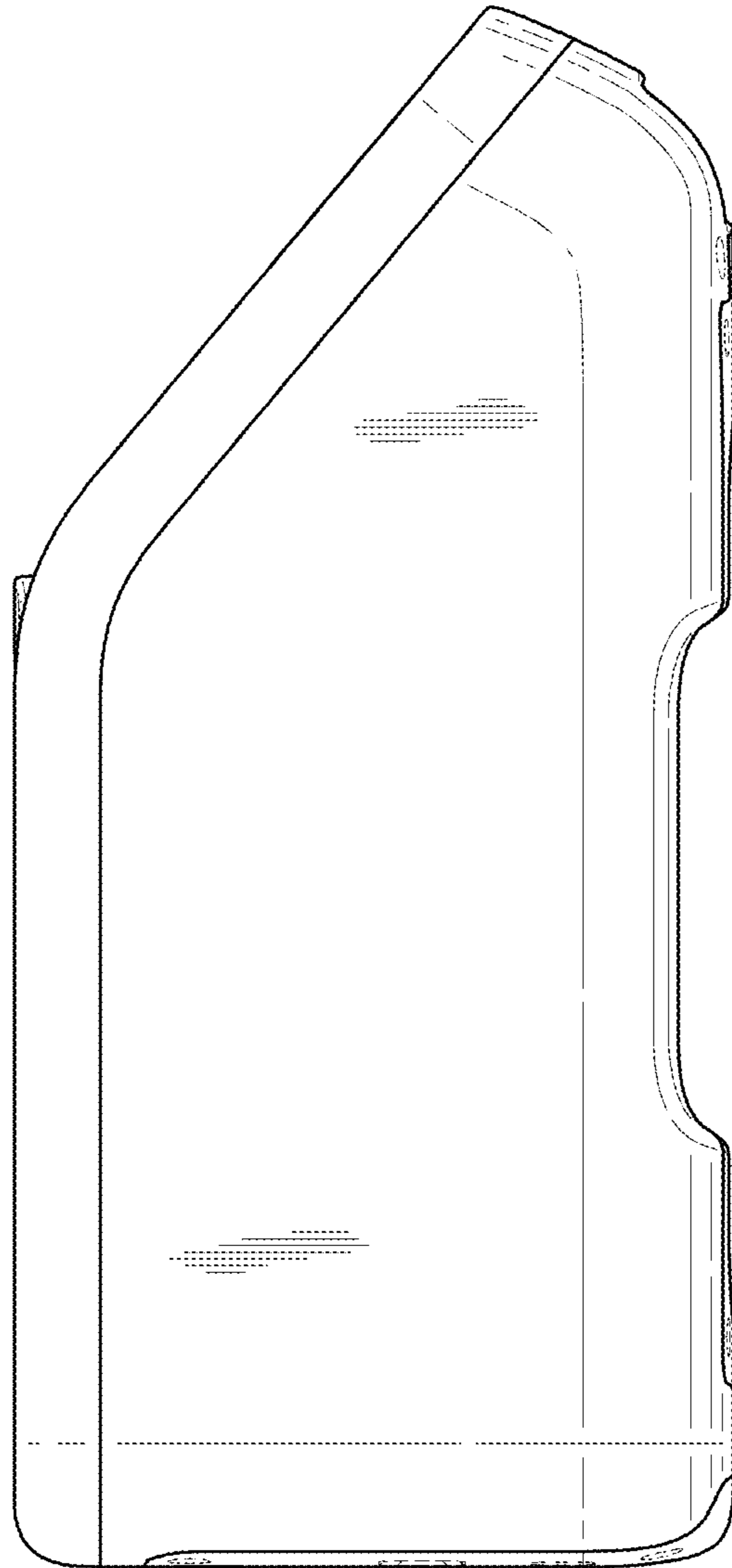


FIG. 15

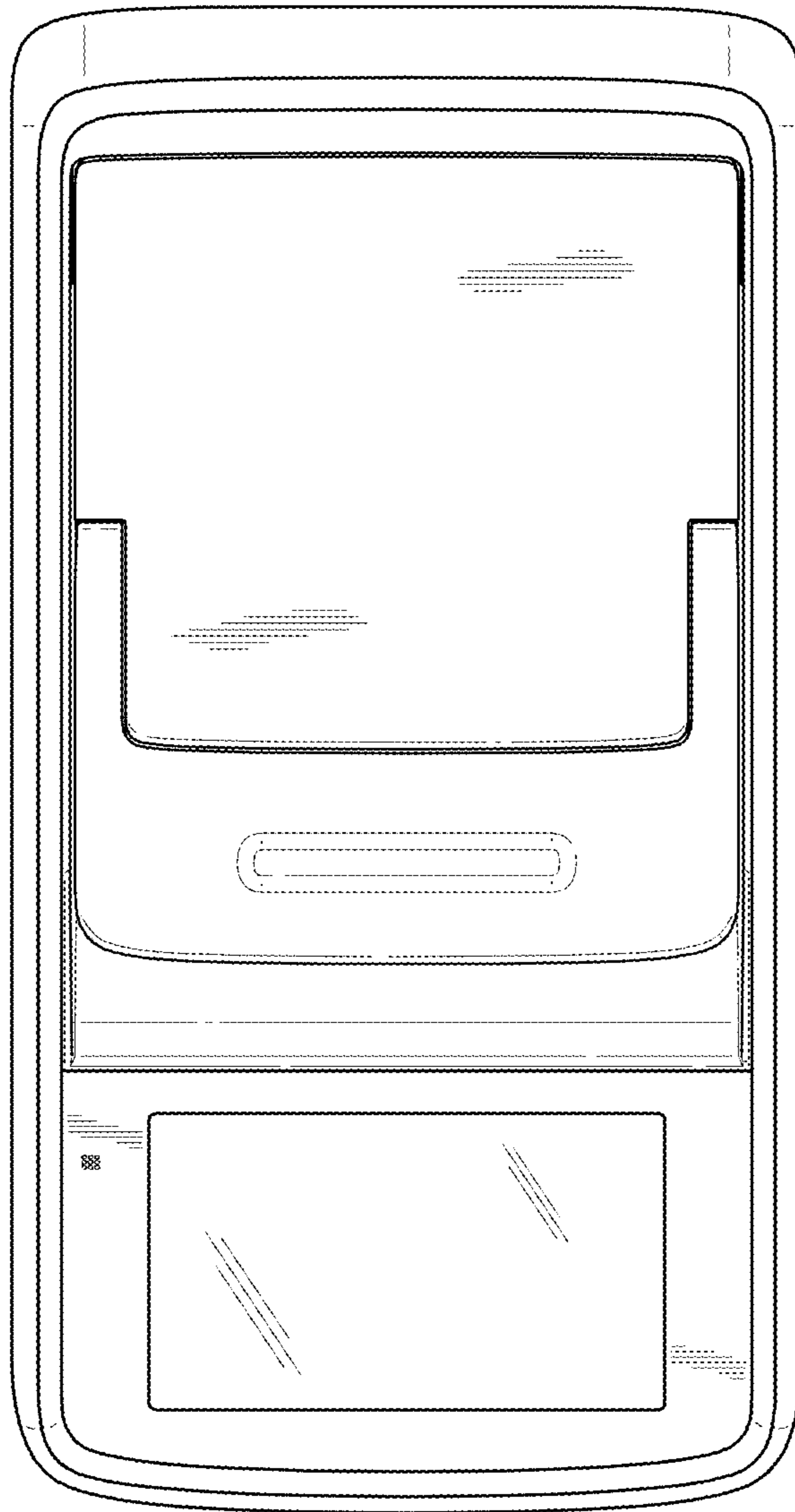


FIG. 16

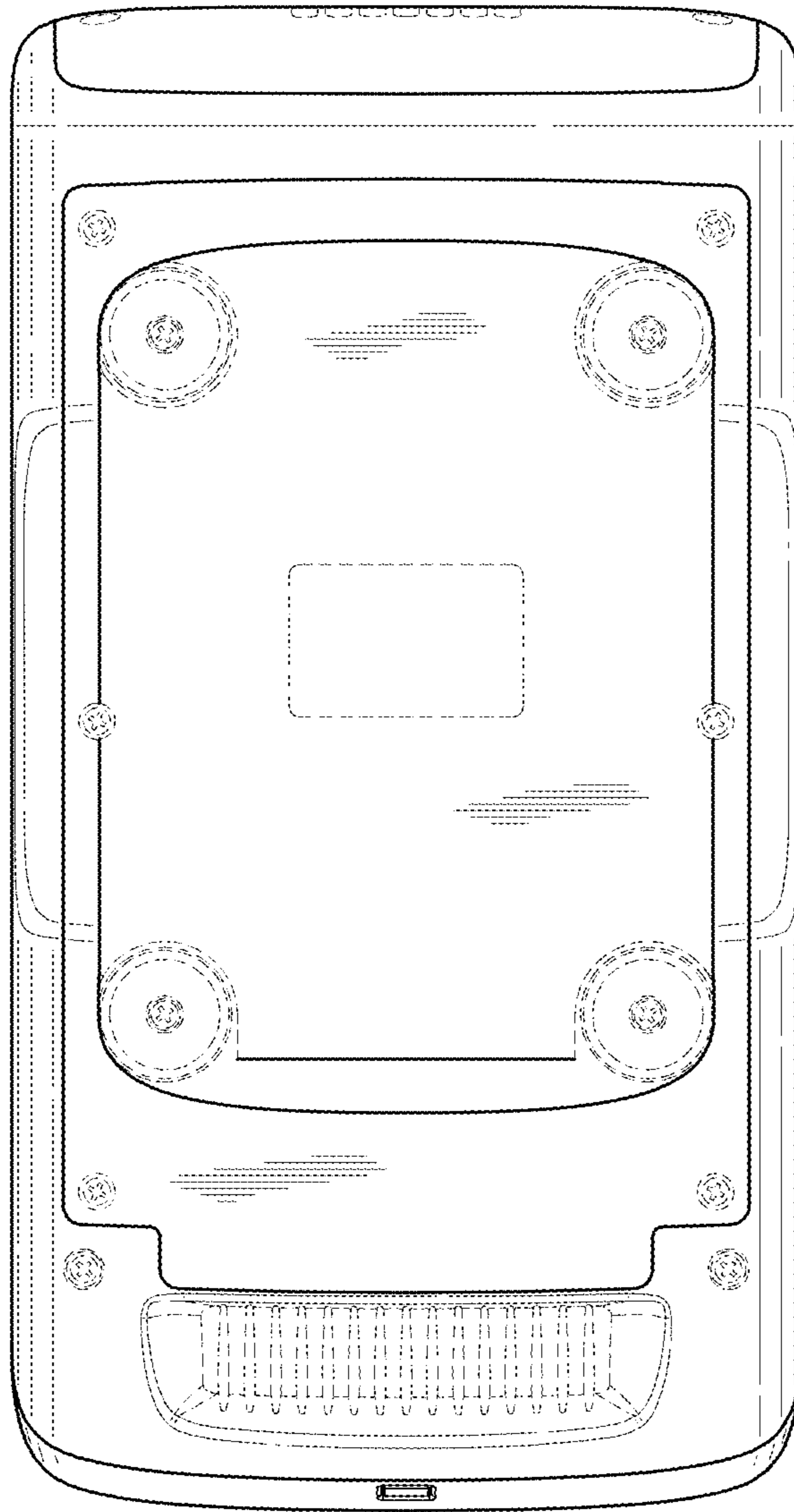


FIG. 17

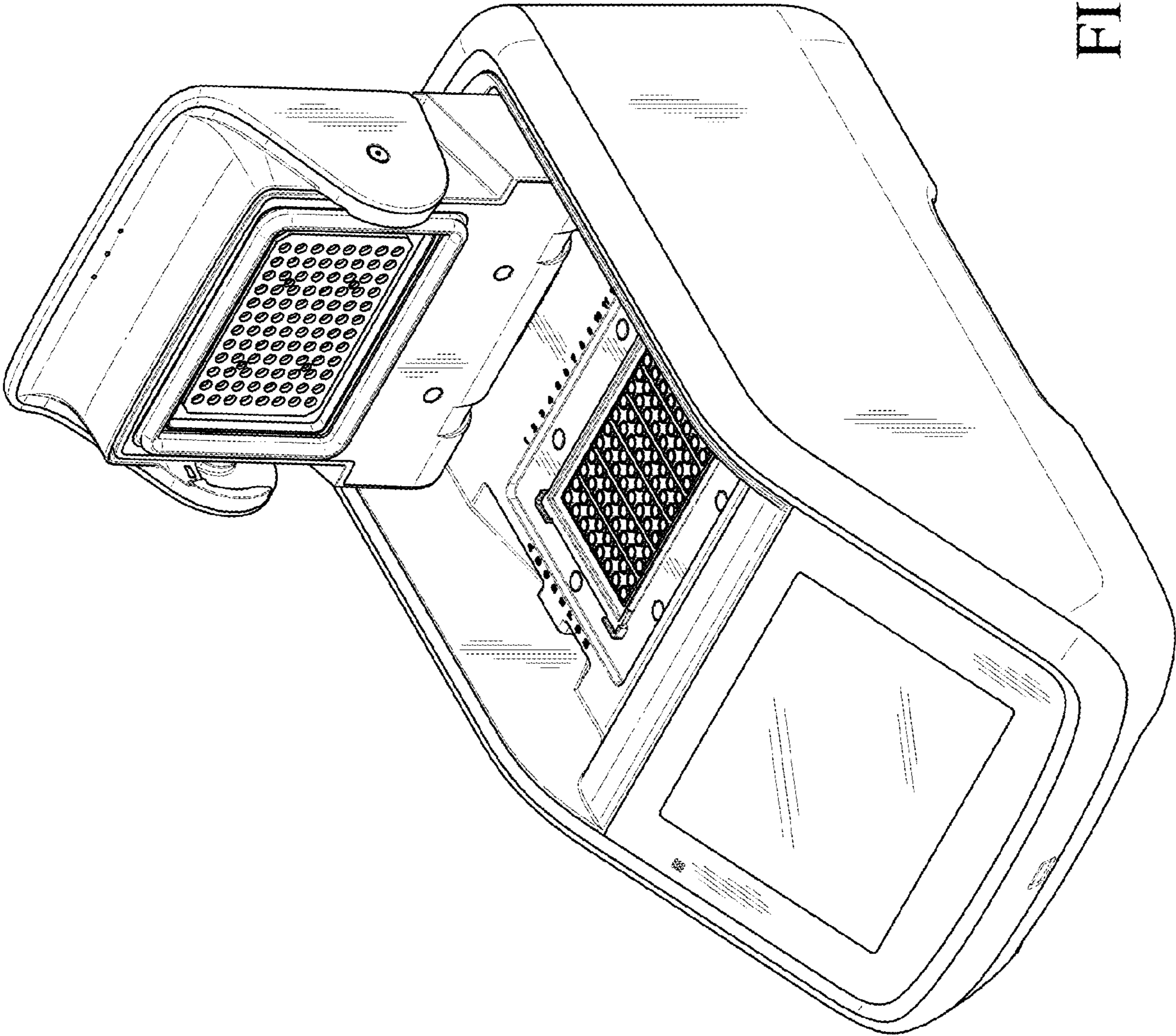


FIG. 18