



US00D941486S

(12) **United States Design Patent**
Dumler et al.

(10) **Patent No.:** **US D941,486 S**
(45) **Date of Patent:** **** Jan. 18, 2022**

- (54) **SEX TOY**
- (71) Applicant: **EIS GmbH**, Bielefeld (DE)
- (72) Inventors: **Alex Dumler**, Hamburg (DE); **Torsten Plate**, Glinde (DE); **Johanna Konigsberger**, Hamburg (DE); **Tobias Schreier**, Hamburg (DE); **Won-Gyung Lee**, Hamburg (DE)
- (73) Assignee: **EIS GmbH**, Bielefeld (DE)
- (**) Term: **15 Years**
- (21) Appl. No.: **29/722,507**
- (22) Filed: **Jan. 30, 2020**

Related U.S. Application Data

- (62) Division of application No. 35/506,276, filed on Jun. 30, 2018 (U.S. filing date under 35 U.S.C. 384), and having an international filing date of Jun. 30, 2018, now Pat. No. Des. 882,816.
- (51) **LOC (13) Cl.** **28-03**
- (52) **U.S. Cl.**
USPC **D24/215**
- (58) **Field of Classification Search**
USPC D24/133, 188, 200, 211, 212, 213, 214, D24/215; D28/91.1; D9/723, 726, 727; D4/100, 102
CPC A61H 2201/0153; A61H 7/007; A61H 15/0085; A61H 2015/0014; A61H 7/005; A61B 17/1325; A61F 7/00
See application file for complete search history.

(56) **References Cited**

U.S. PATENT DOCUMENTS

- 2,899,957 A 8/1959 Briggs
- D509,301 S 9/2005 Talbot et al.
- D556,332 S 11/2007 Han
- D665,091 S 8/2012 Mistry et al.
- D665,093 S * 8/2012 Sedic D24/215

- D666,303 S 8/2012 Ding et al.
- D692,570 S 10/2013 Luzon et al.
- D698,035 S * 1/2014 Turner D24/215
- D760,914 S 7/2016 Hutchinson
- D787,747 S * 5/2017 King D28/57
- D798,465 S 9/2017 Lin

(Continued)

OTHER PUBLICATIONS

Satisfyer Men Masturbator https://www.amazon.com/SATISFYER-Men-MASTURBATOR-Heat-Vibration/dp/B07GR73RC1/ref=pd_lpo_121_img_1/146-7637961-1500959?_encoding=UTF8&pd_rd_i=B07GR73RC1&pd_rd_r=ab4e0129-d565-48a6-a0 Dec. 20, 2018 (Year: 2018).*

(Continued)

Primary Examiner — Samantha Q Lawrence

(74) *Attorney, Agent, or Firm* — Mueting Raasch Group

(57) **CLAIM**

We claim the ornamental design for a sex toy, as shown and described.

DESCRIPTION

FIG. 1 is a front elevation view of a first embodiment of a sex toy;
 FIG. 2 is a rear elevation view thereof;
 FIG. 3 is a bottom view thereof;
 FIG. 4 is a rear perspective view thereof;
 FIG. 5 is a front perspective view thereof;
 FIG. 6 is a side view thereof;
 FIG. 7 is a top down view thereof;
 FIG. 8 is a rear perspective view of a second embodiment of a sex toy;
 FIG. 9 is a rear elevation view thereof;
 FIG. 10 is a front perspective view thereof;
 FIG. 11 is a front elevation view thereof;
 FIG. 12 is a bottom view thereof;
 FIG. 13 is a top down view thereof; and,
 FIG. 14 is a side view thereof.

1 Claim, 14 Drawing Sheets



(56)

References Cited

U.S. PATENT DOCUMENTS

D818,143	S	5/2018	Cheung	
D819,222	S *	5/2018	Nelson	D24/215
D822,843	S	7/2018	Lenke	
D826,419	S	8/2018	Rimavicus	
D829,335	S *	9/2018	Park	D24/215
D833,637	S	11/2018	Marshall	
D834,213	S	11/2018	Marshall	
D867,609	S *	11/2019	Couto	D24/215
D882,105	S *	4/2020	Lee	D24/215
D882,814	S *	4/2020	Lee	D24/215
D882,815	S *	4/2020	Dumler	D24/215
D883,508	S *	5/2020	Qiu	D24/215
D883,509	S *	5/2020	Dumler	D24/215
D896,395	S *	9/2020	Hsu	D24/215
D902,426	S *	11/2020	Cornaro	D24/215
D908,909	S *	1/2021	Huang	D24/215
2013/0253386	A1	9/2013	Nan	
2014/0207028	A1 *	7/2014	Orlando	A61F 7/00 601/15

OTHER PUBLICATIONS

Satisfyer Men Masturbator 2c-aafc0635c250&pd_rd_w=weKLH
&pd_rd_wg=cNcBD&pf_rd_p=3b5203d9-bdd0-47f6-97e5-
387010fc3251&pf_rd_r=WCYZ70T9W5FM3QBJT1NK&psc=1
&refRID=WCYZ70T9W5FM3QBJT1NK Dec. 20, 2018 (Year: 2018).*

* cited by examiner



FIG. 1



FIG. 2

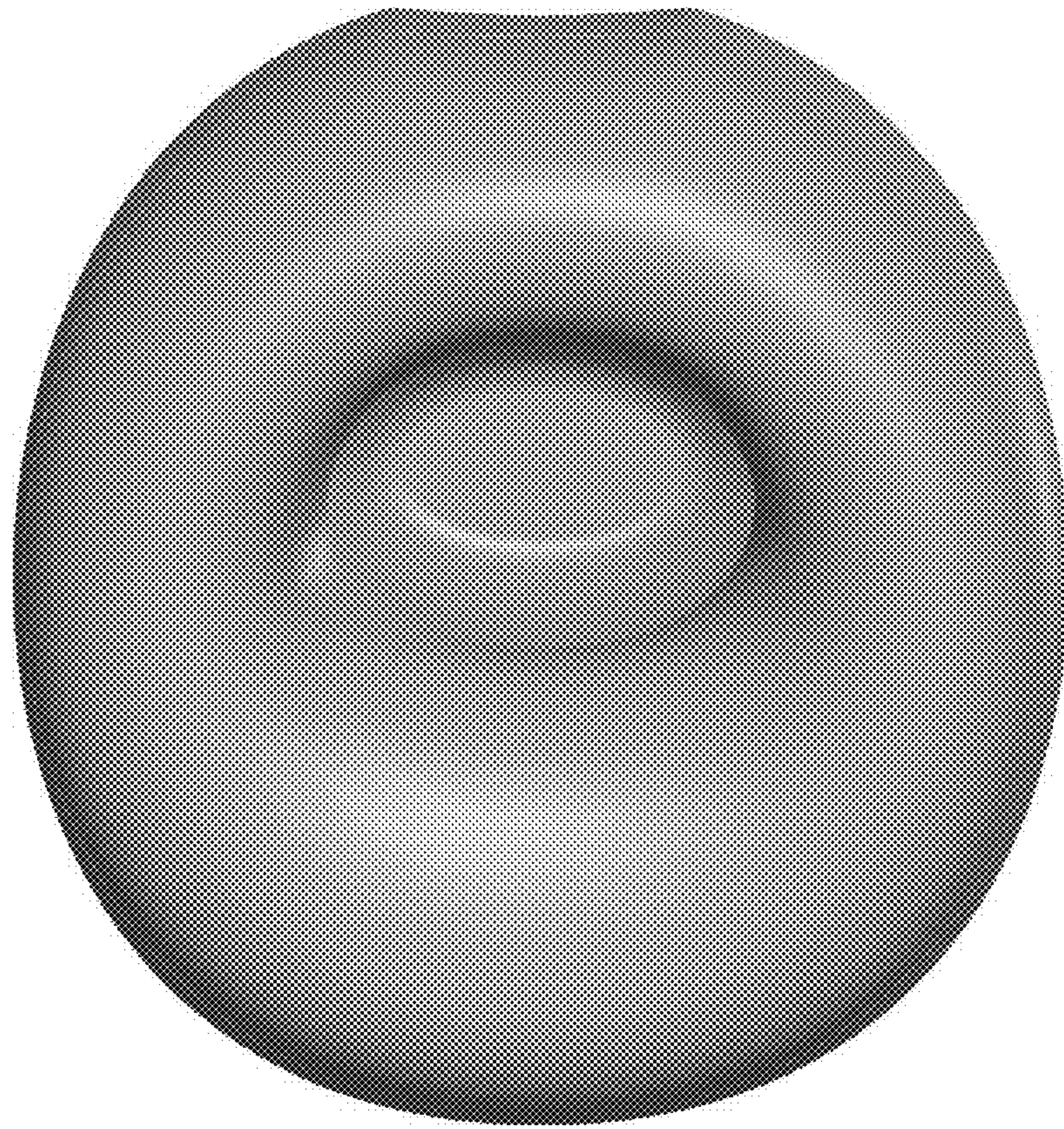


FIG. 3



FIG. 4

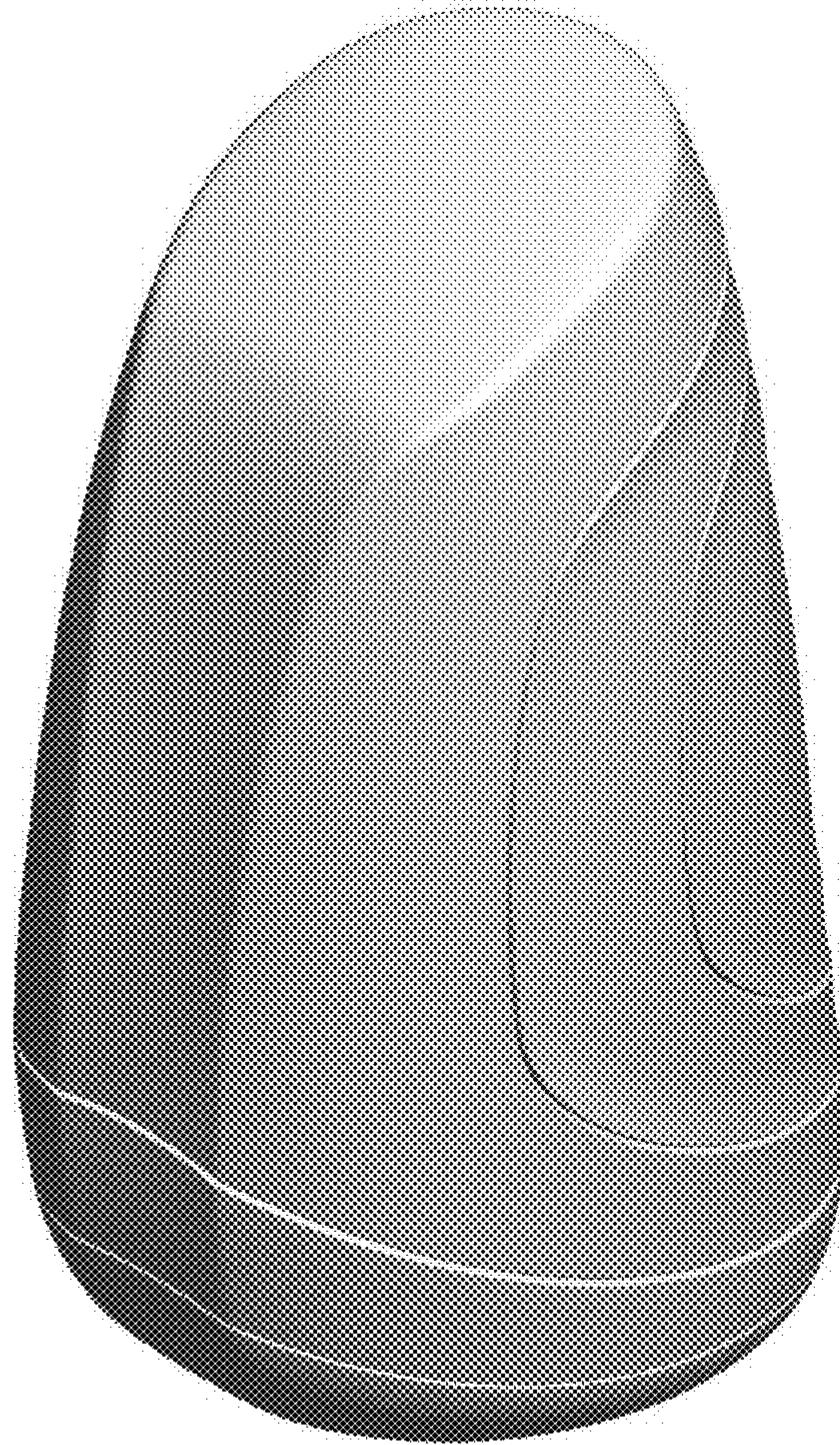


FIG. 5

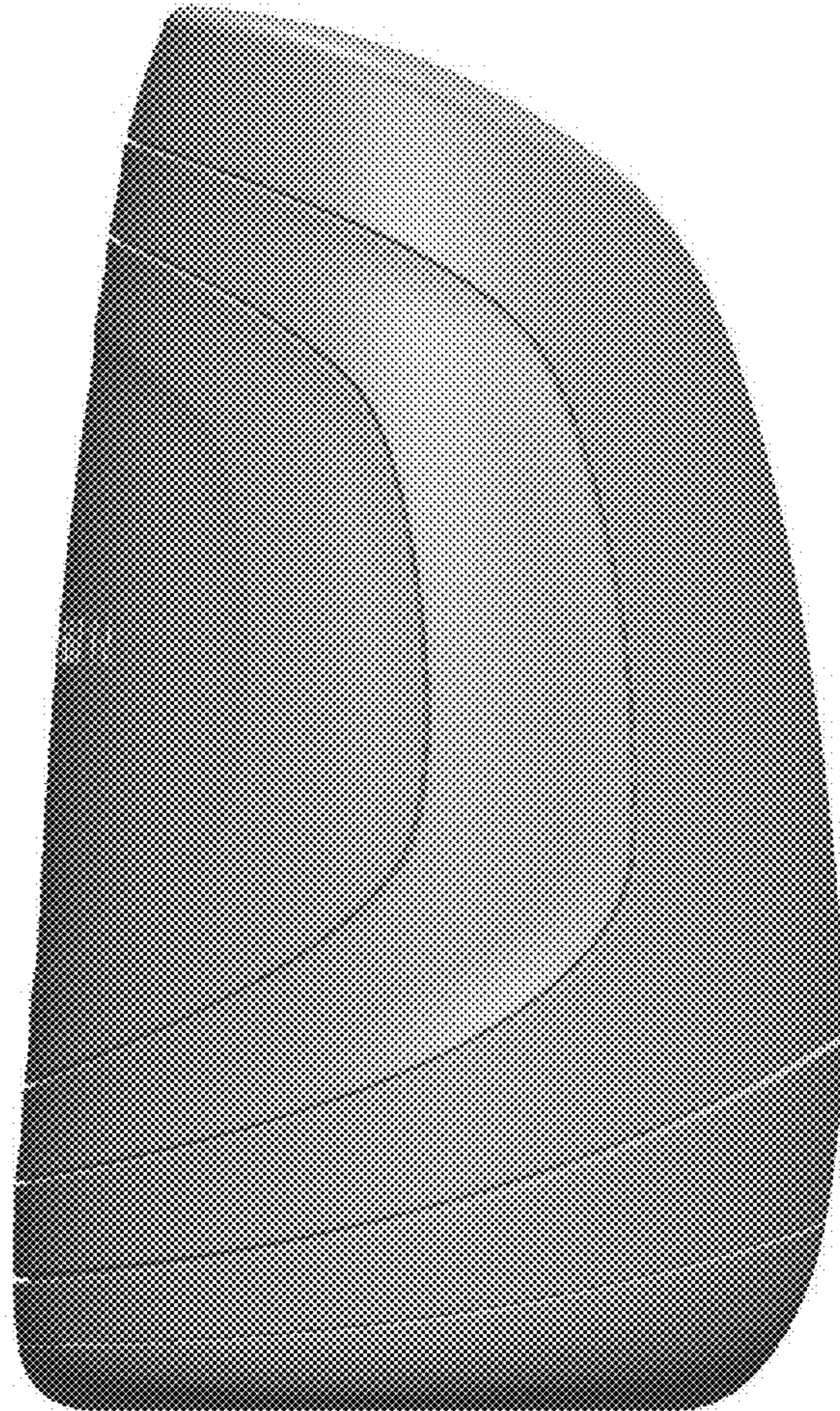


FIG. 6



FIG. 7



FIG. 8

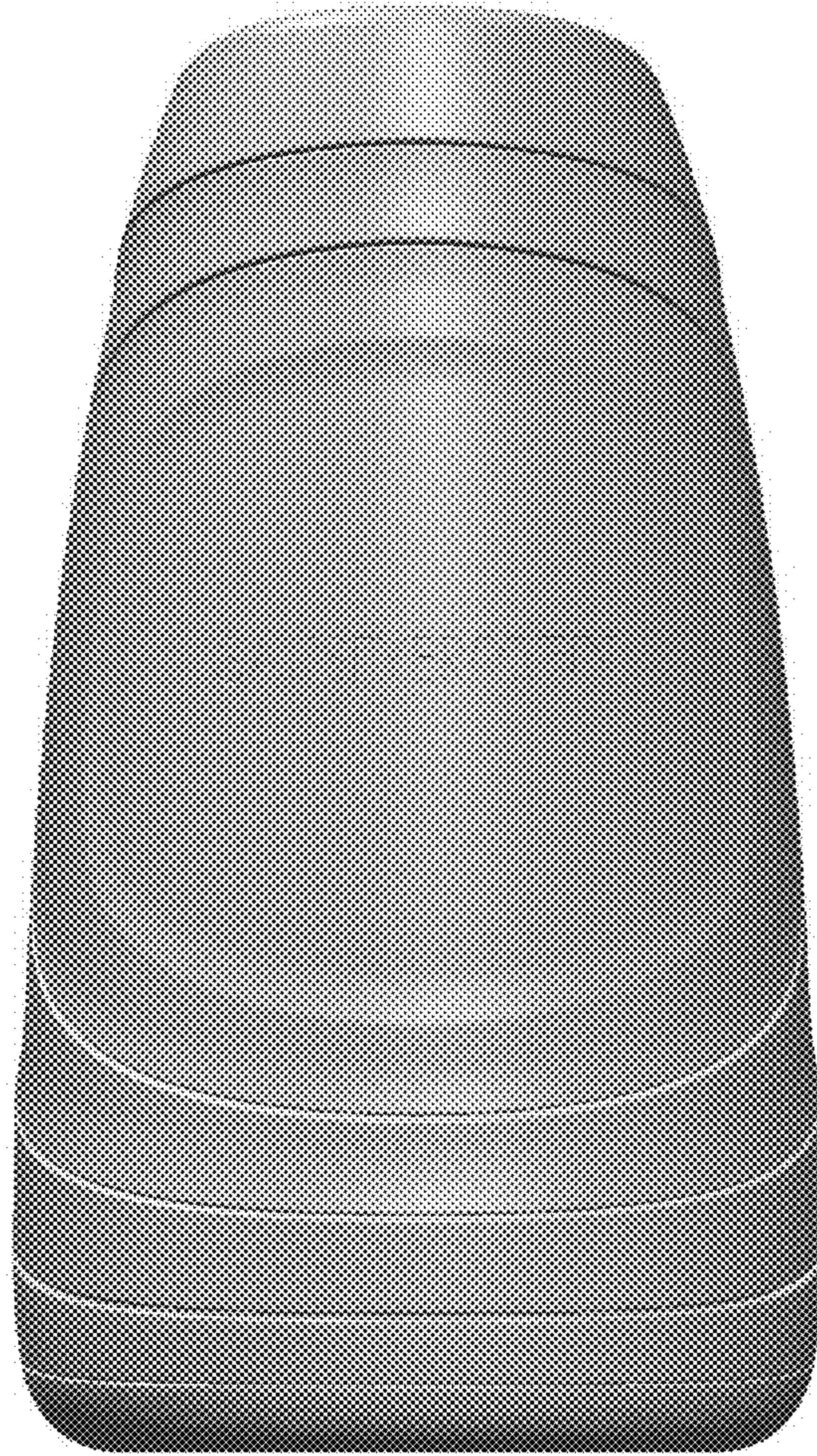


FIG. 9

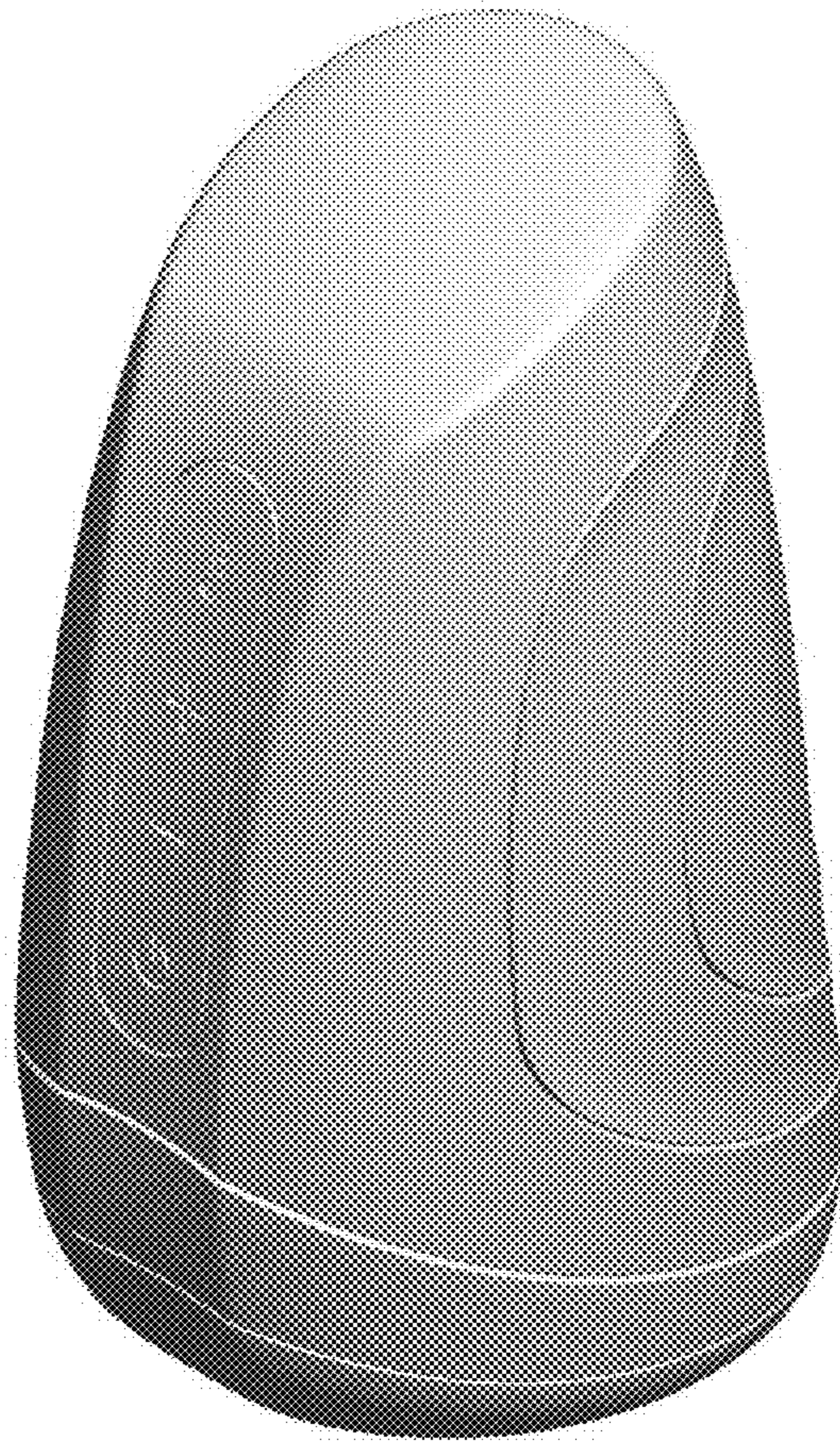


FIG. 10

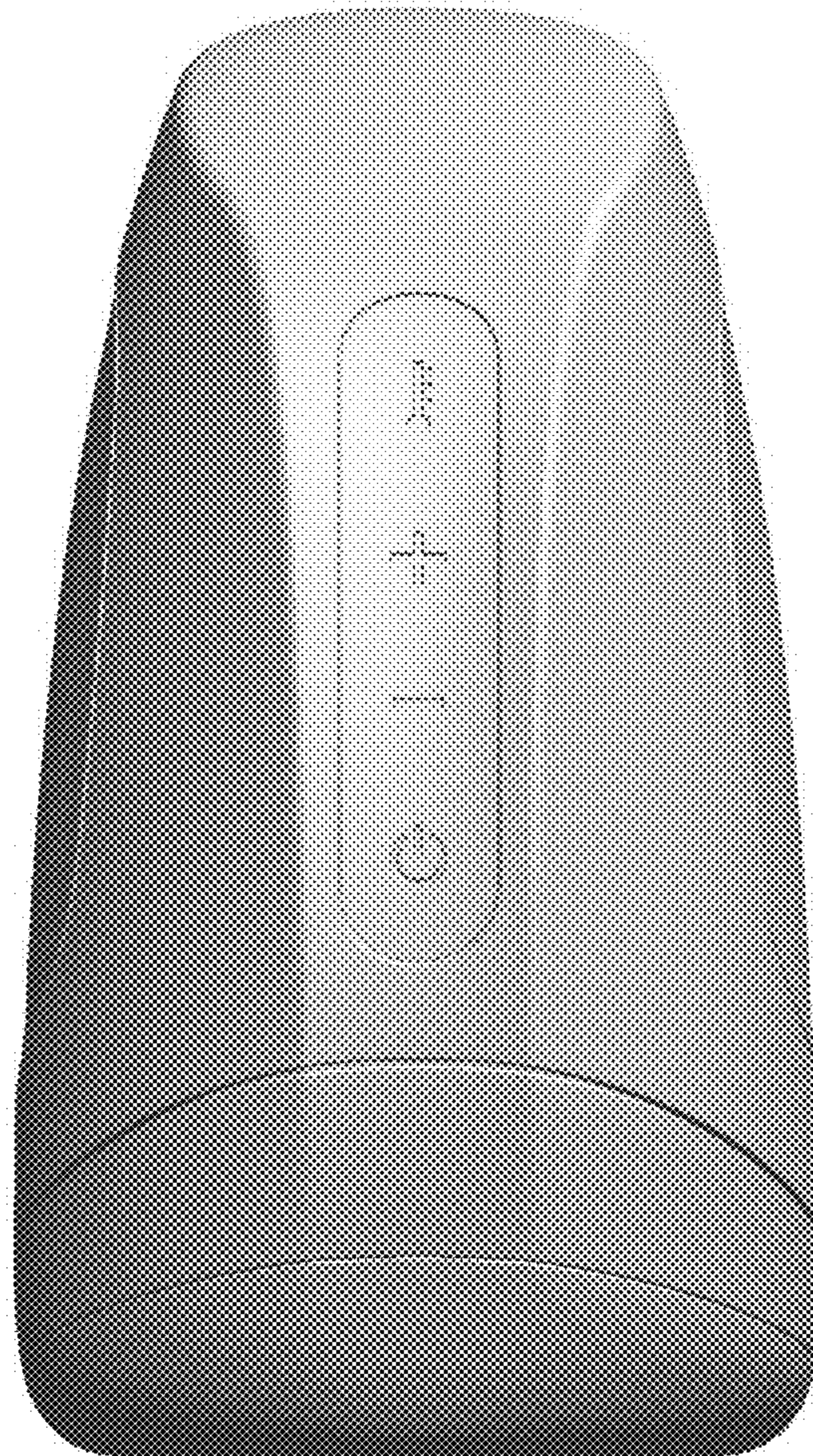


FIG. 11

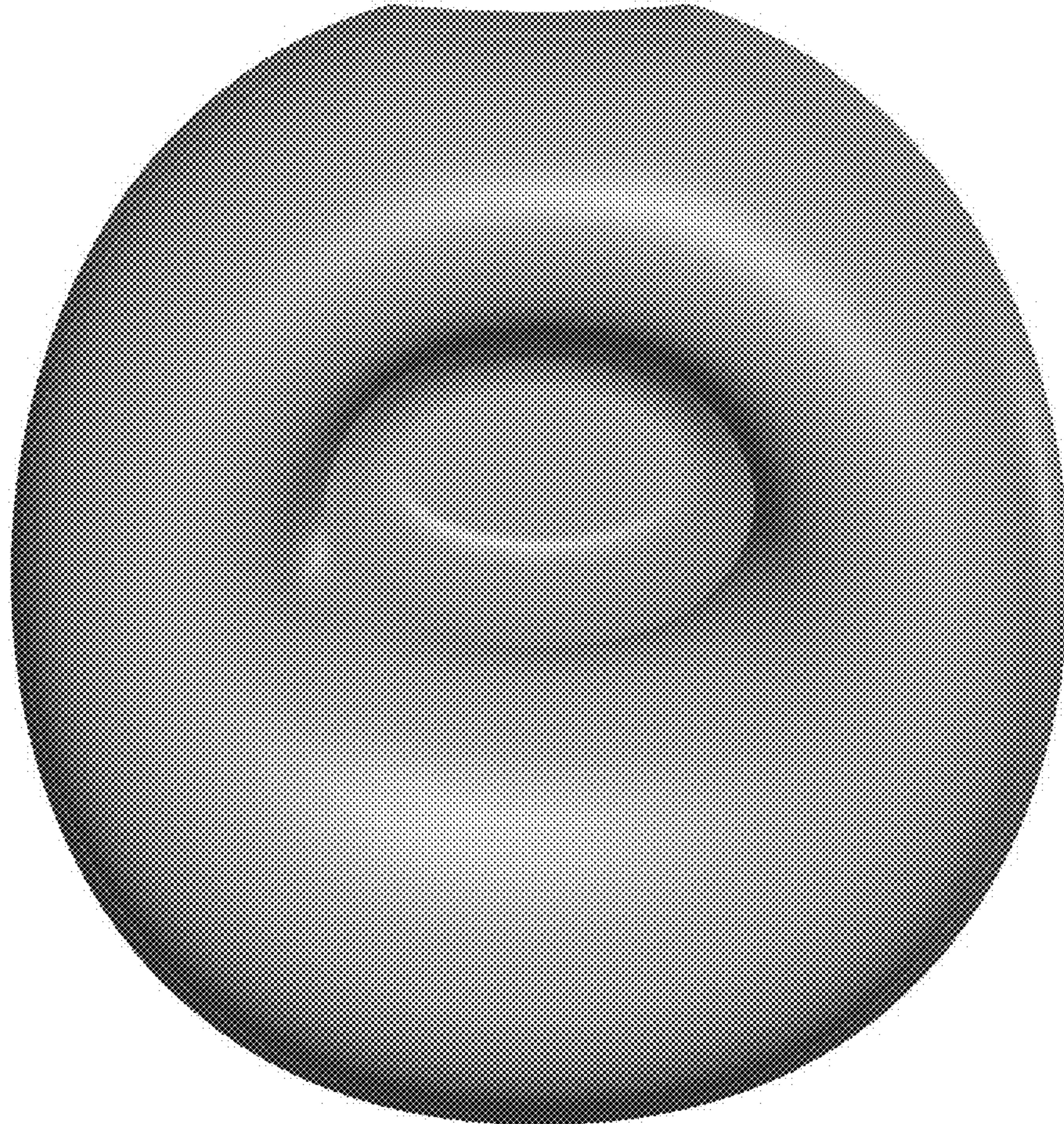


FIG. 12



FIG. 13

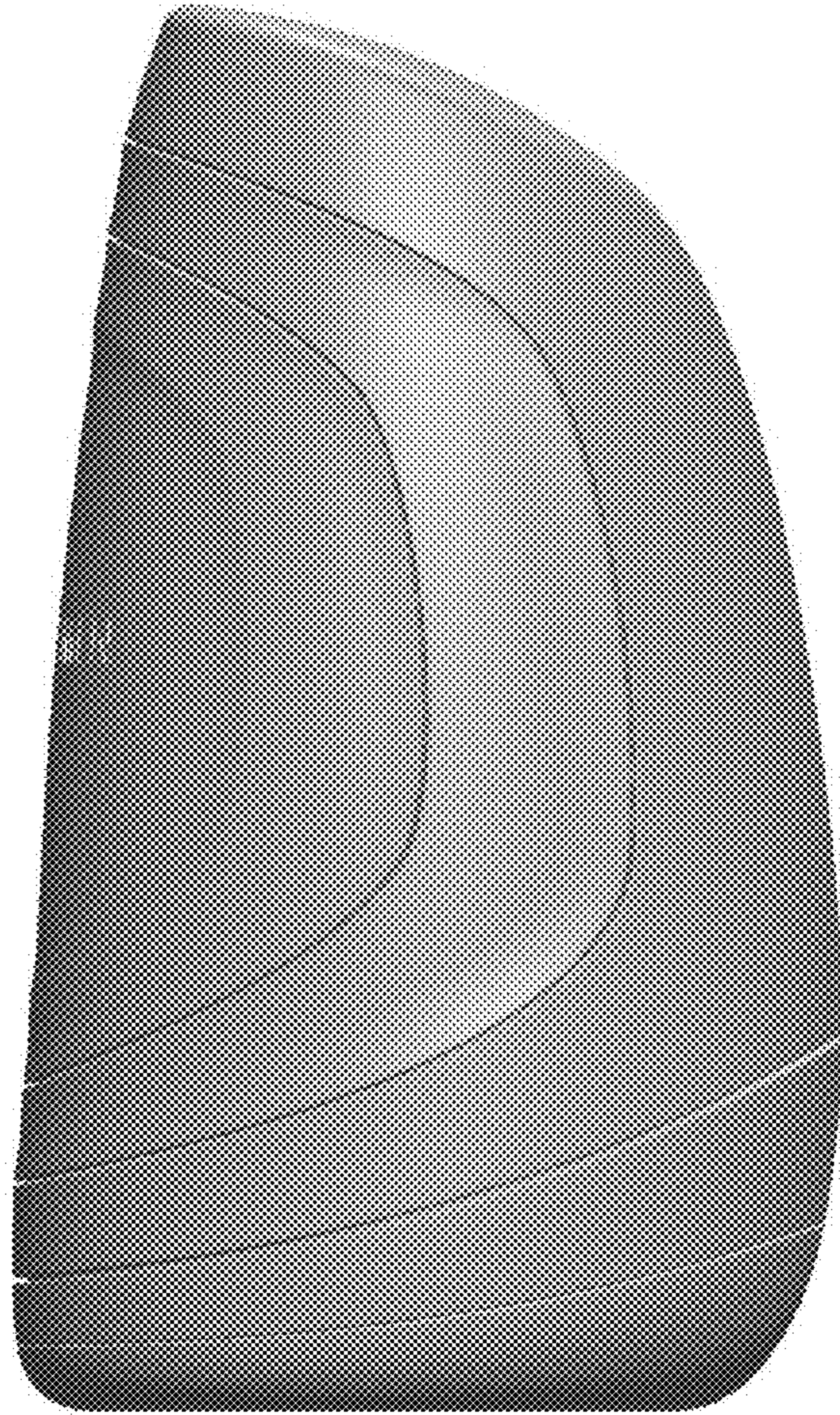


FIG. 14