



US00D941483S

(12) **United States Design Patent** (10) **Patent No.:** **US D941,483 S**
Lee et al. (45) **Date of Patent:** **** Jan. 18, 2022**

(54) **ADULT TOY**
(71) Applicant: **EIS GmbH**, Bielefeld (DE)
(72) Inventors: **Won-Gyung Lee**, Hamburg (DE);
Johanna Konigsberger, Hamburg
(DE); **Paul Fally**, Hamburg (DE); **Jan**
Meissner, Hamburg (DE); **Tobias**
Schreier, Hamburg (DE)
(73) Assignee: **EIS GmbH**, Bielefeld (DE)
(**) Term: **15 Years**

D574,504 S 8/2008 Imboden et al.
D582,048 S 12/2008 Chiu
D582,563 S 12/2008 Ferber et al.
D652,527 S 1/2012 Marshall
D665,091 S * 8/2012 Mistry D24/215
(Continued)

Primary Examiner — Samantha Q Lawrence
(74) *Attorney, Agent, or Firm* — Muetting Raasch Group

(57) **CLAIM**

We claim the ornamental design for adult toy, as shown and described.

DESCRIPTION

FIG. 1 is a rear elevation view of a first embodiment of an adult toy;
FIG. 2 is a front elevation view thereof;
FIG. 3 is a rear perspective view thereof;
FIG. 4 is a front perspective view thereof;
FIG. 5 is a left side view thereof;
FIG. 6 is a top elevation view thereof;
FIG. 7 is a rear perspective view of a second embodiment of an adult toy;
FIG. 8 is a rear elevation view thereof;
FIG. 9 is a front elevation view thereof;
FIG. 10 is a front perspective view thereof;
FIG. 11 is a left side view thereof;
FIG. 12 is a rear elevation view of a third embodiment of an adult toy;
FIG. 13 is a front elevation view thereof;
FIG. 14 is a front perspective view thereof;
FIG. 15 is a rear perspective view thereof;
FIG. 16 is a left side view thereof;
FIG. 17 is a rear elevation view of a fourth embodiment of an adult toy;
FIG. 18 is a front elevation view thereof;
FIG. 19 is a rear perspective view thereof;
FIG. 20 is a front perspective view thereof; and,
FIG. 21 is a left side view thereof.

(21) Appl. No.: **29/711,559**
(22) Filed: **Oct. 31, 2019**

Related U.S. Application Data

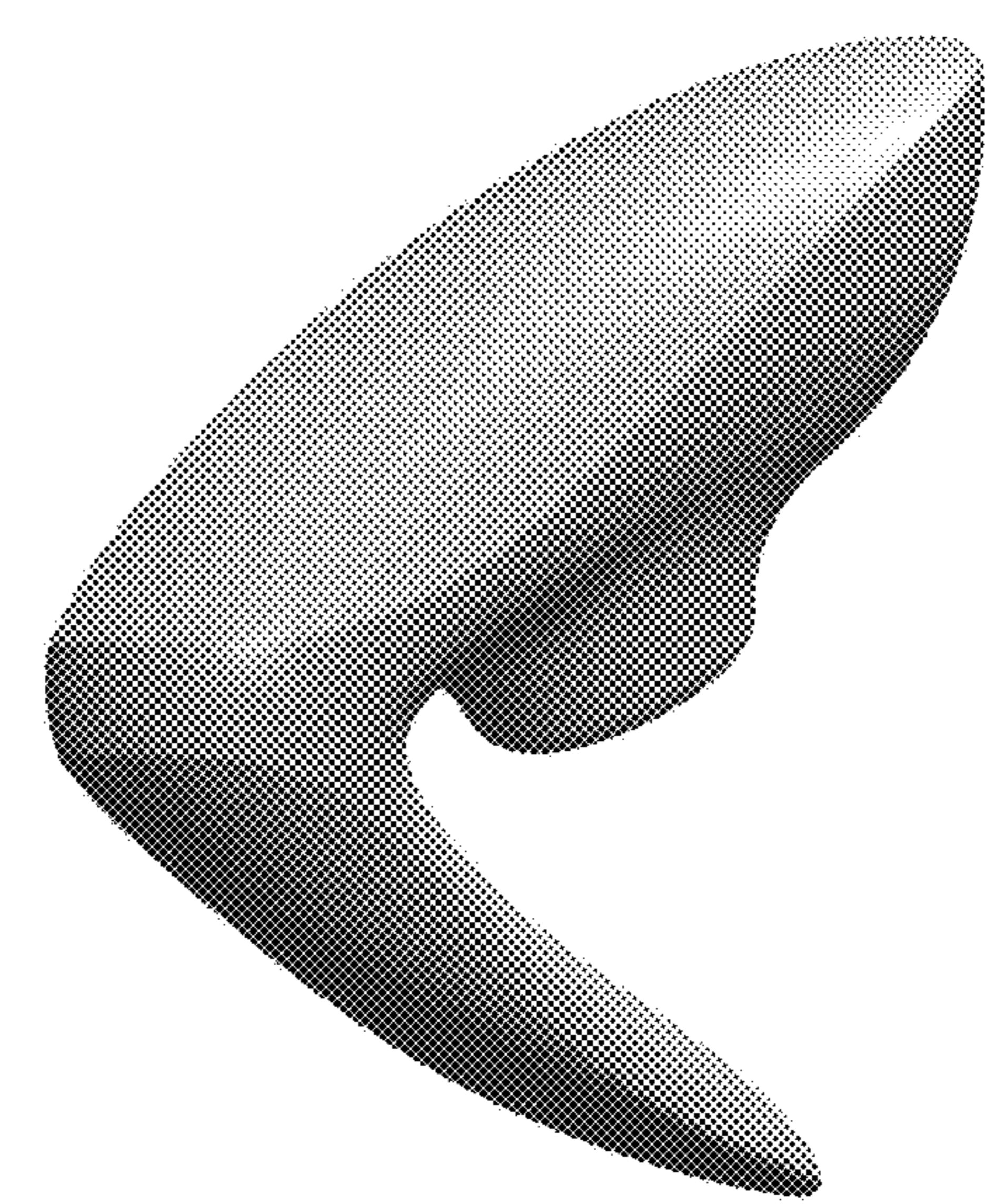
(62) Division of application No. 35/504,819, filed on Oct. 25, 2017 (U.S. filing date under 35 U.S.C. 384), and having an international filing date of Oct. 25, 2017, now Pat. No. Des. 868,281.
(51) **LOC (13) Cl.** **28-03**
(52) **U.S. Cl.**
USPC **D24/215**
(58) **Field of Classification Search**
USPC D24/215, 133, 188, 200, 211, 212, 213,
D24/214; D9/723, 726, 727; D4/100,
D4/102; D28/91.1
CPC A61H 2201/0153; A61H 7/007; A61H
15/0085; A61H 2015/0014; A61H 7/005;
A61B 17/1325; A61F 7/00
See application file for complete search history.

(56) **References Cited**

U.S. PATENT DOCUMENTS

D410,090 S 5/1999 Podd
D463,908 S 10/2002 Bergfalk
D529,620 S 10/2006 Cooper
D530,020 S 10/2006 Cooper

1 Claim, 21 Drawing Sheets



(56)

References Cited

U.S. PATENT DOCUMENTS

D681,221 S * 4/2013 Chen D24/215
 D700,347 S 2/2014 Sedic
 D702,362 S 4/2014 Thorne et al.
 D707,510 S 6/2014 Bellaus
 D712,030 S 8/2014 Tai
 D717,457 S 11/2014 Heilman et al.
 D722,174 S 2/2015 Almarales
 D727,518 S 4/2015 Moorehead
 D728,115 S 4/2015 Matsushita
 D732,683 S * 6/2015 Zhang D24/215
 D737,457 S 8/2015 Cai
 D739,950 S 9/2015 Almarales
 D755,312 S 5/2016 Summers et al.
 D765,871 S 9/2016 Downare
 D771,270 S 11/2016 Tai et al.
 D771,828 S 11/2016 Sedic
 D795,445 S 8/2017 Marshall
 D807,523 S 1/2018 Difiore
 D812,240 S 3/2018 Janapol

D818,601 S 5/2018 Cheung
 D818,602 S 5/2018 Cheung
 D826,420 S 8/2018 Ackermann et al.
 D826,422 S 8/2018 Cheung
 D830,566 S 10/2018 Bookhamer et al.
 D831,835 S 10/2018 Cole et al.
 D834,213 S 11/2018 Marshall
 D836,792 S 12/2018 Fuhner et al.
 D838,862 S 1/2019 Sedic
 D848,014 S * 5/2019 Fuhner D24/215
 D848,016 S * 5/2019 Fuhner D24/215
 D879,992 S * 3/2020 Li D24/215
 D882,109 S * 4/2020 Qiu D24/215
 D884,914 S * 5/2020 Gao D24/215
 D890,945 S * 7/2020 Lee D24/215
 D897,552 S * 9/2020 Meissner D24/215
 D917,058 S * 4/2021 Liu D24/215
 D927,721 S * 8/2021 Dumler D24/215
 2016/0045392 A1 * 2/2016 Massey A61H 19/50
 601/46
 2020/0281808 A1 * 9/2020 Kirsten A61H 23/04

* cited by examiner

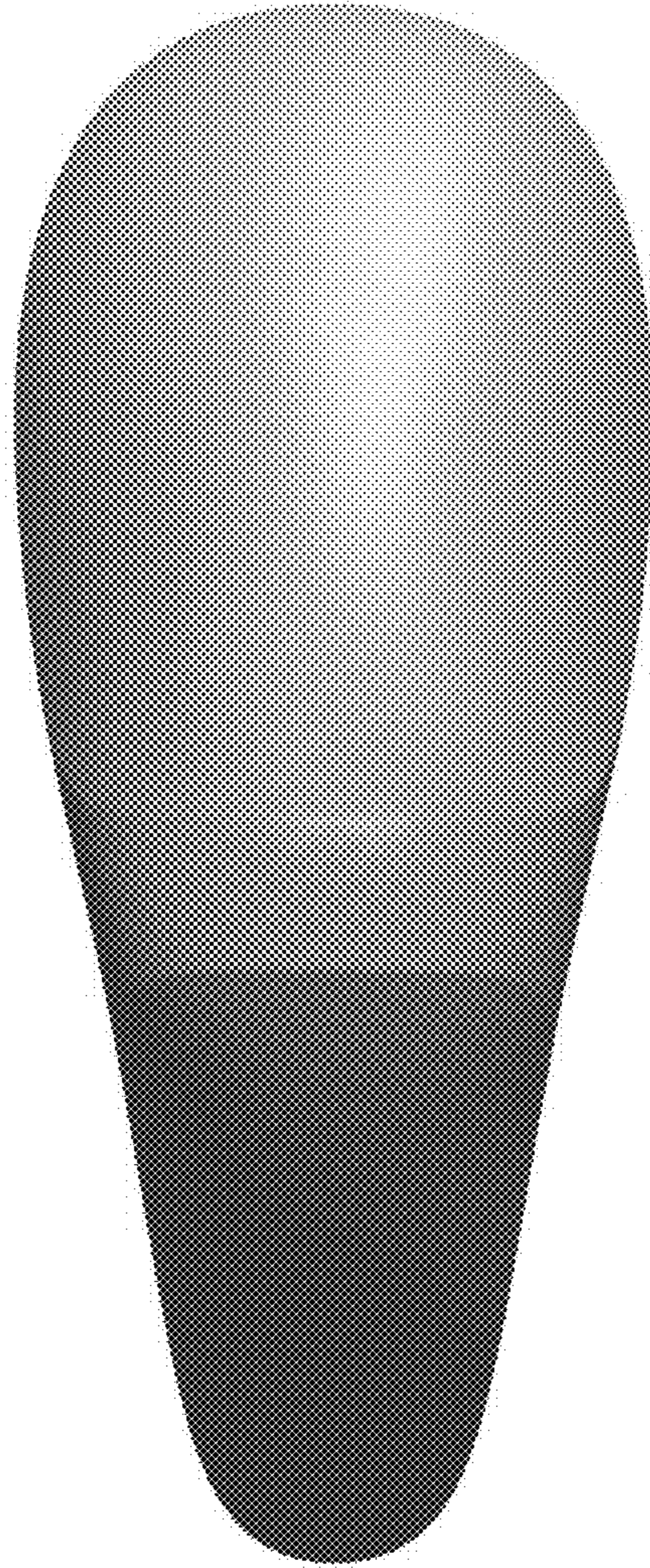


FIG. 1

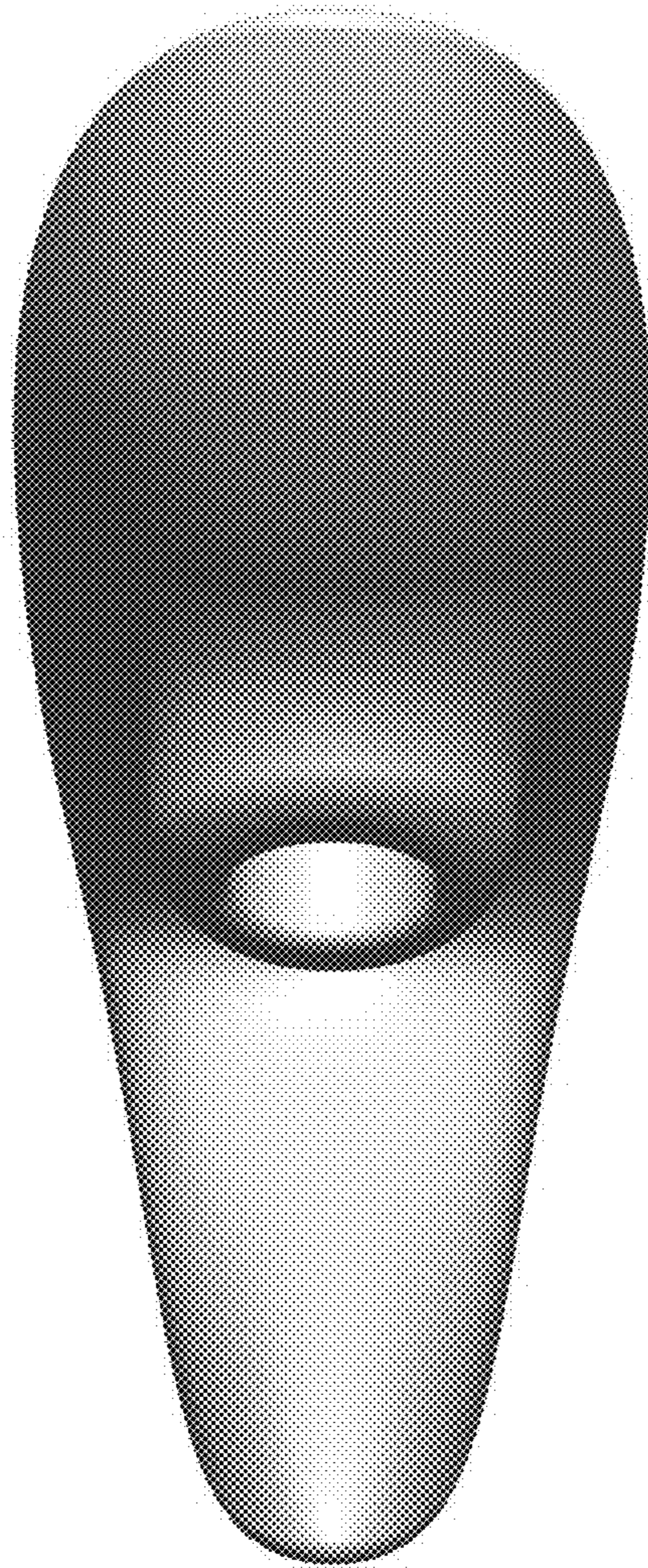


FIG. 2

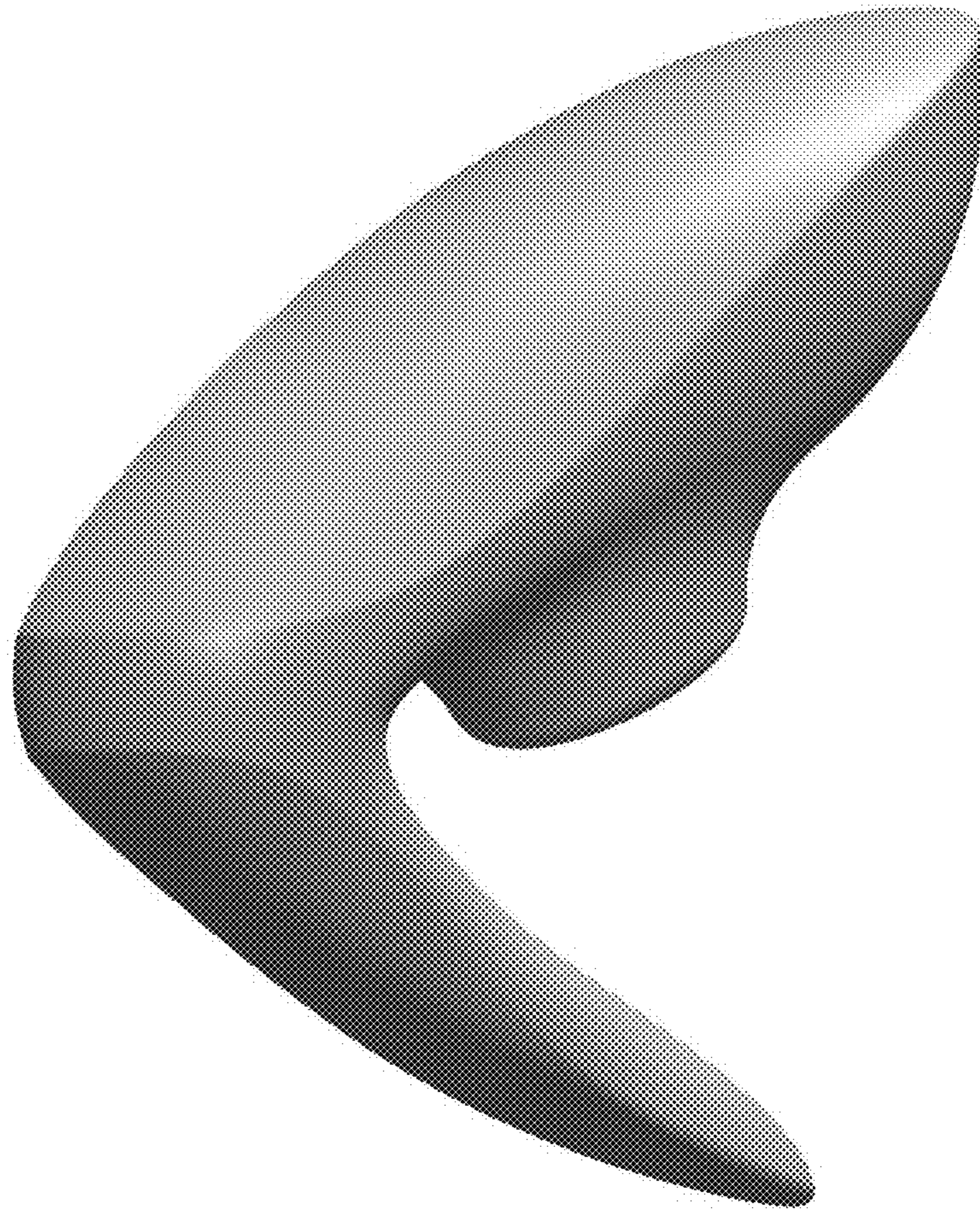


FIG. 3

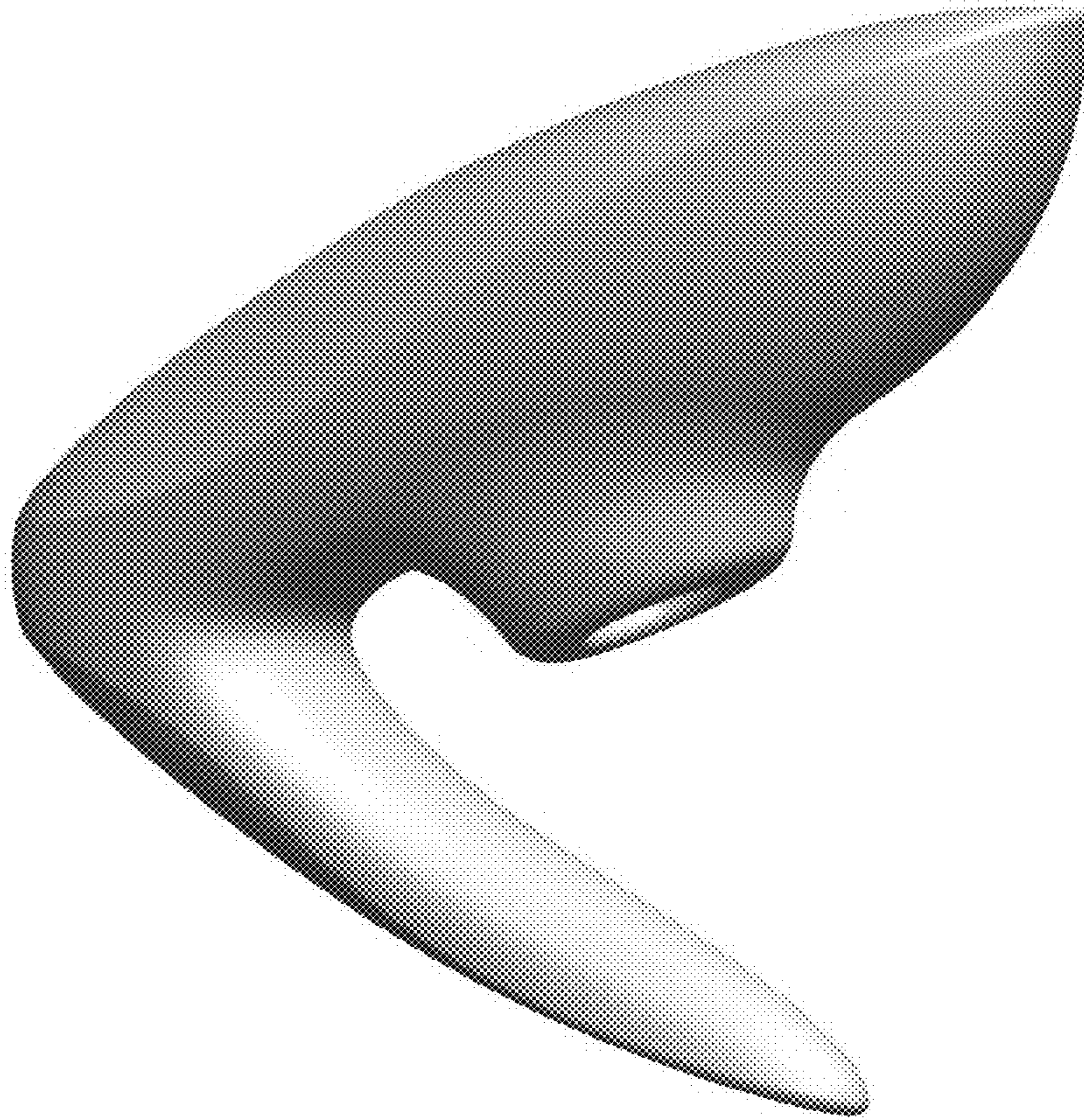


FIG. 4

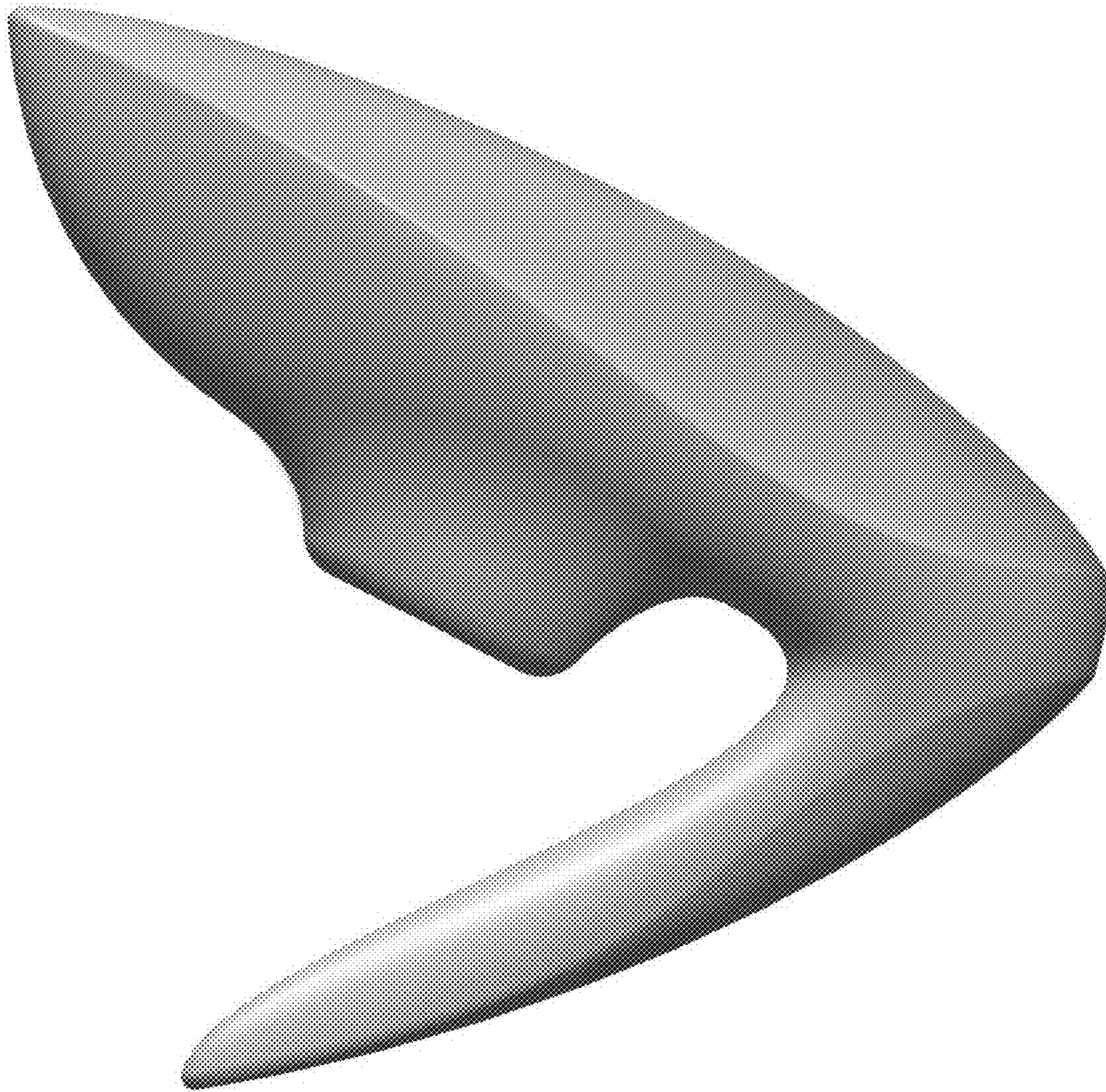


FIG. 5

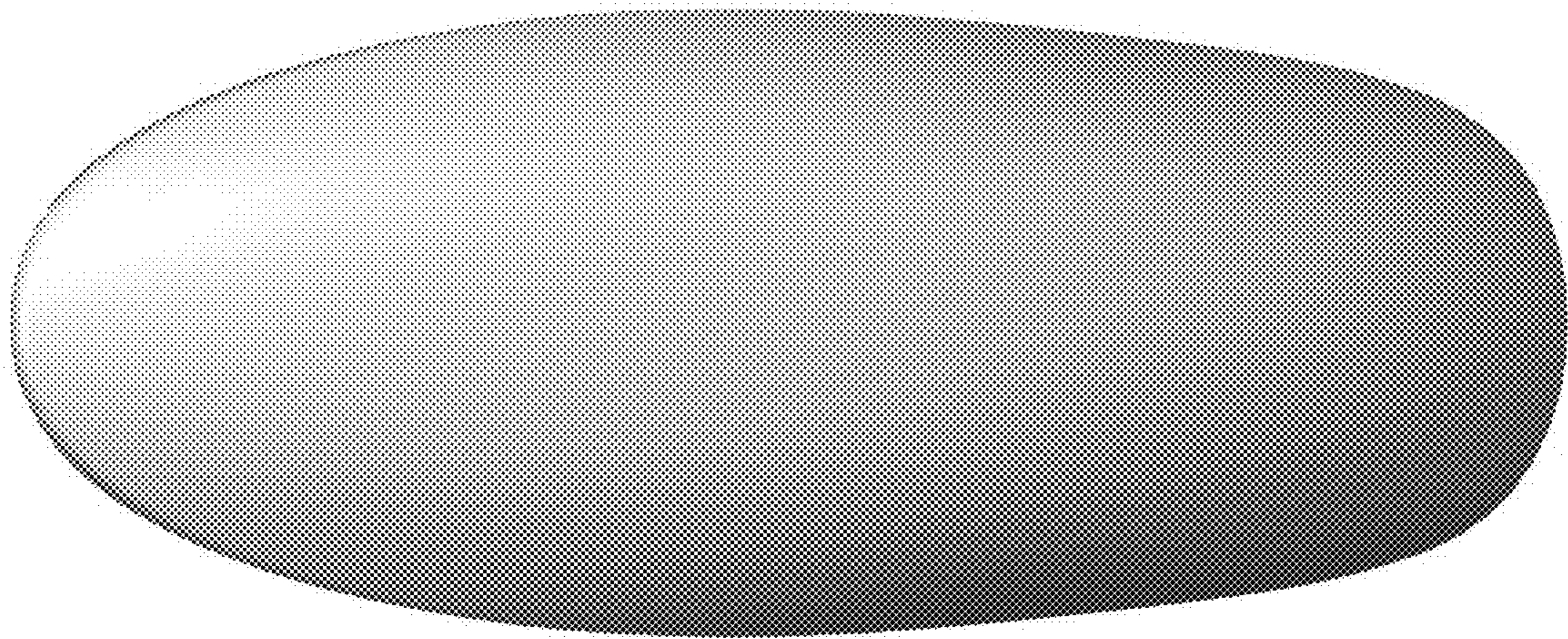


FIG. 6

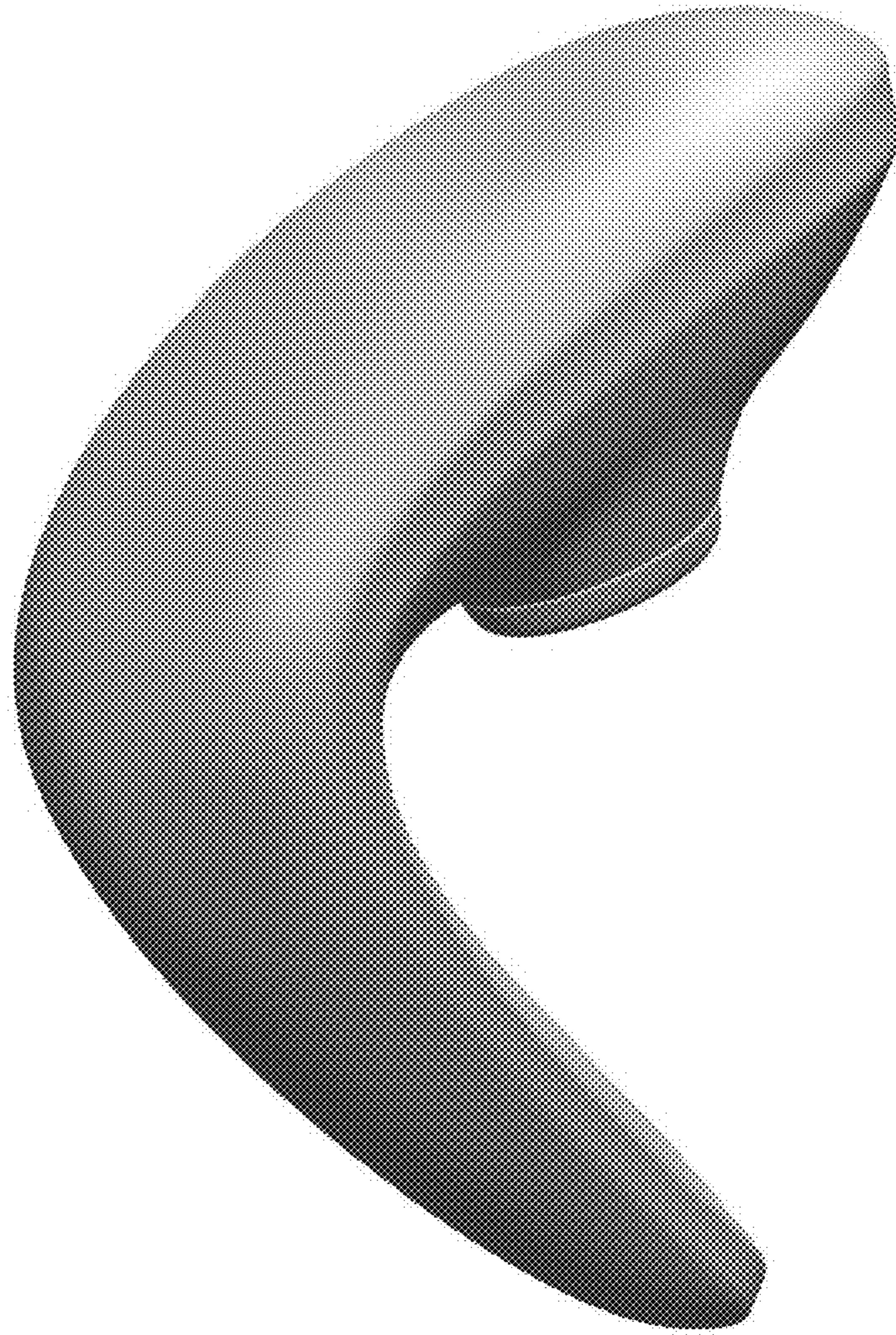


FIG. 7

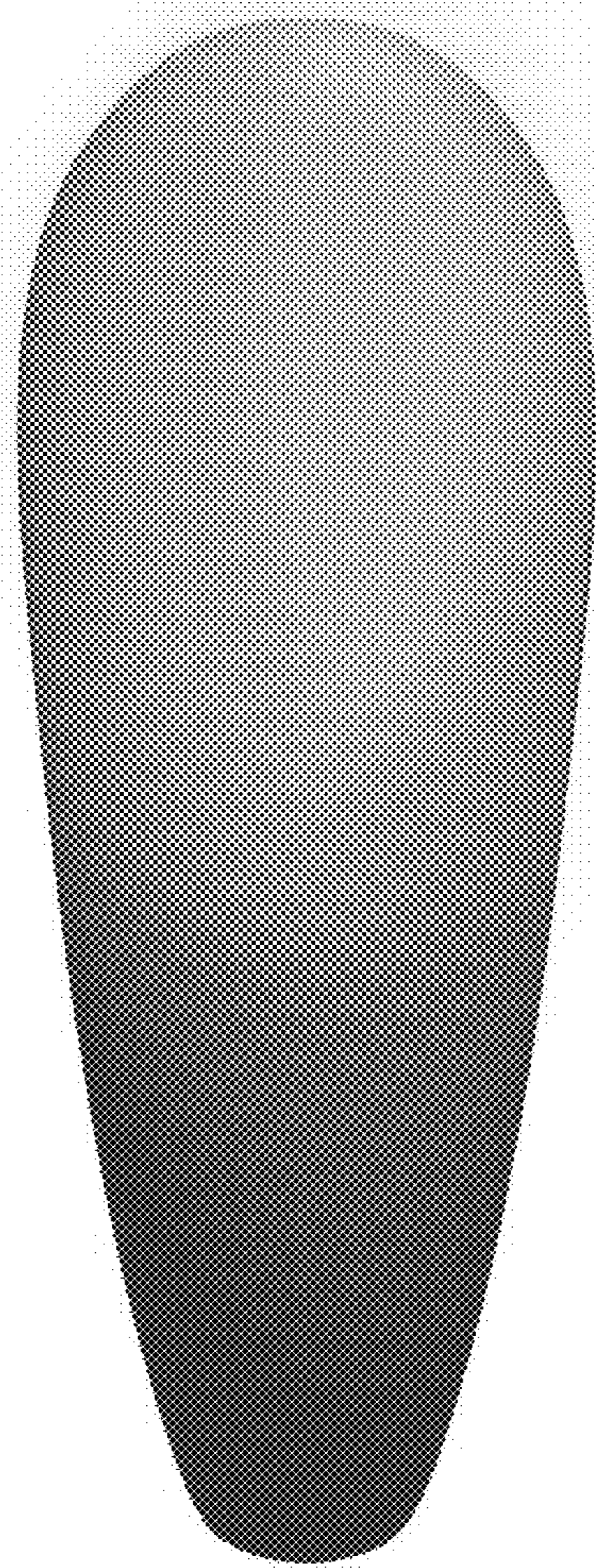


FIG. 8

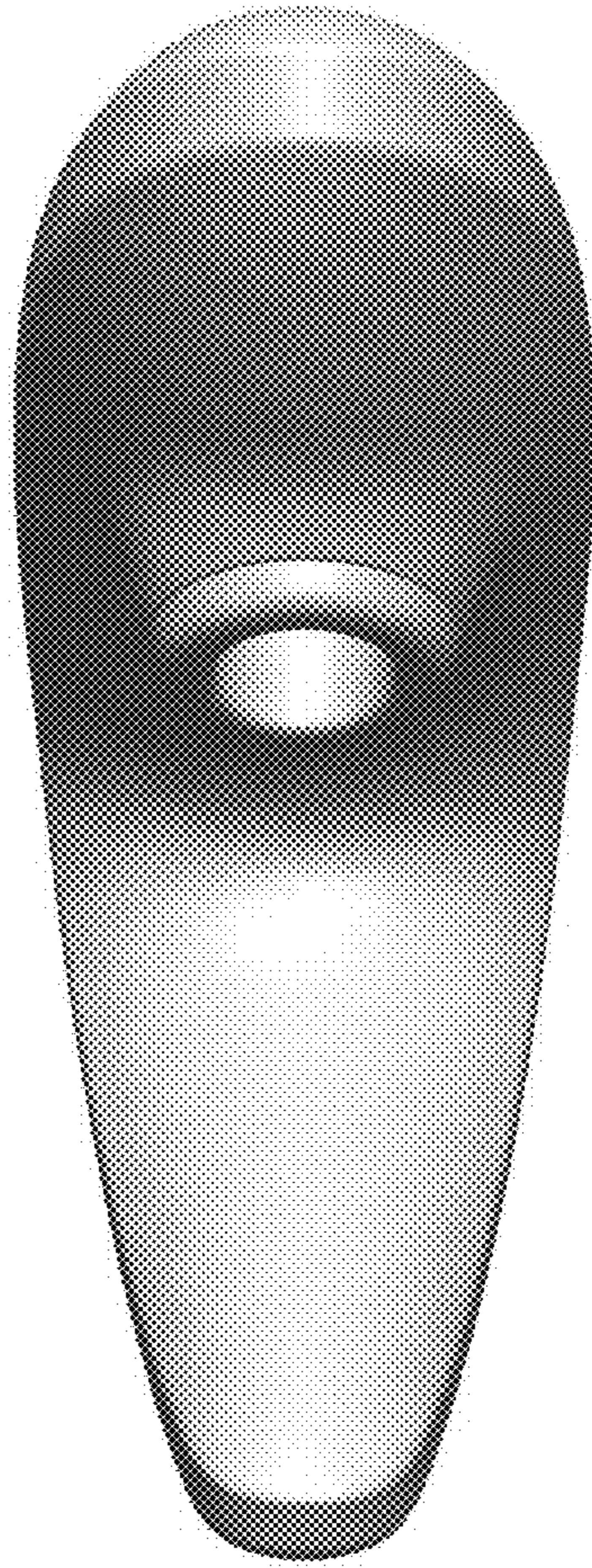


FIG. 9

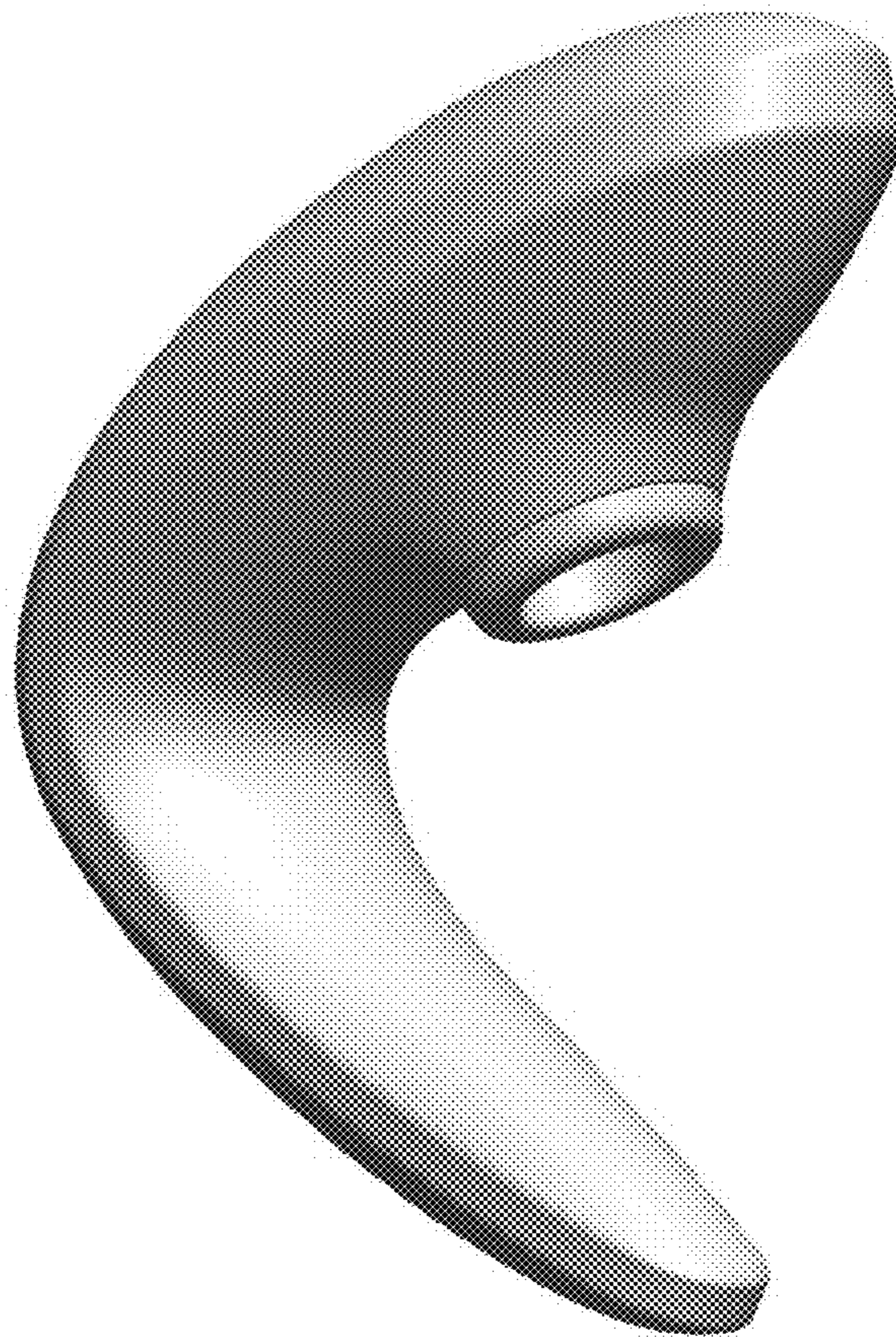


FIG. 10

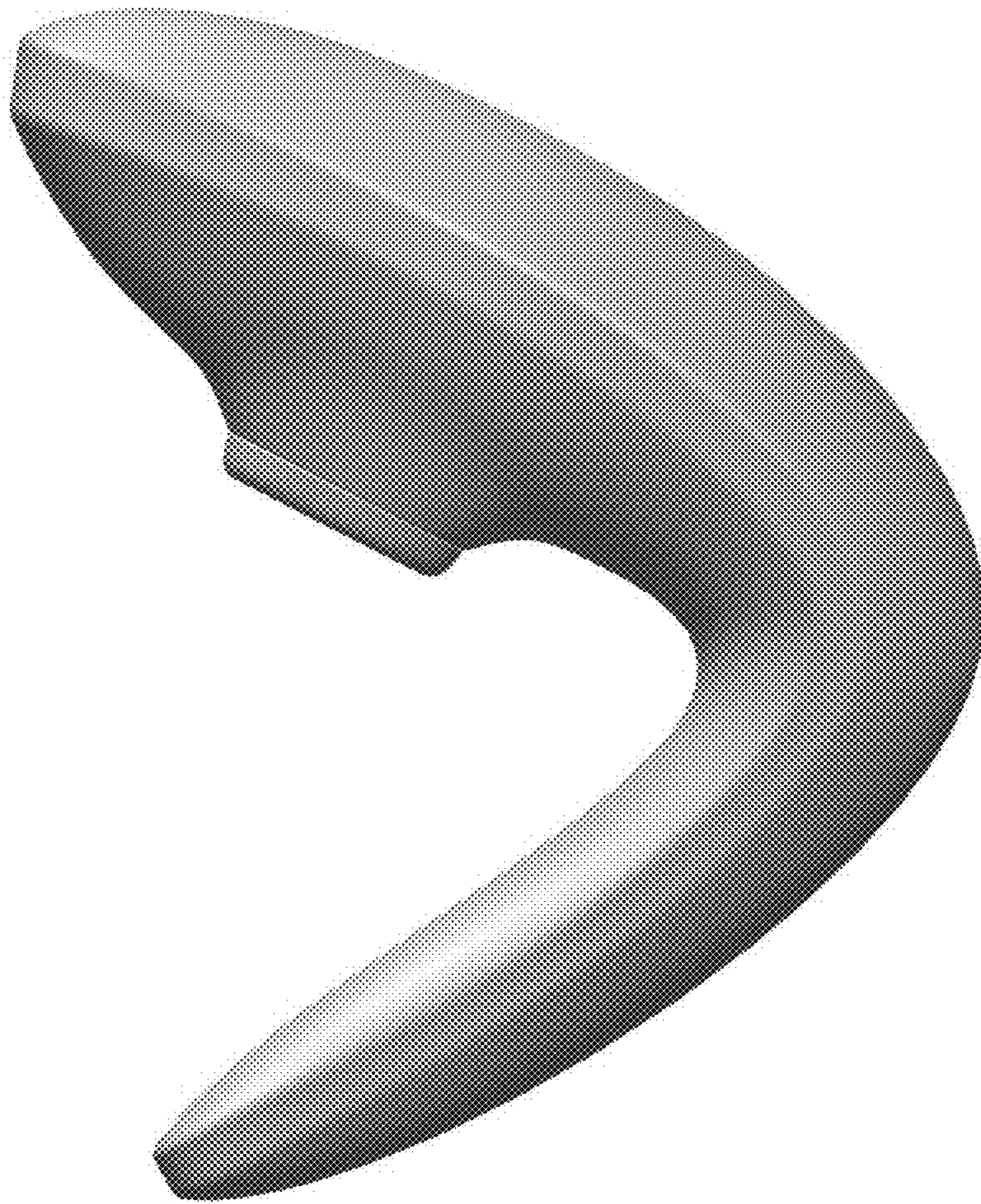


FIG. 11

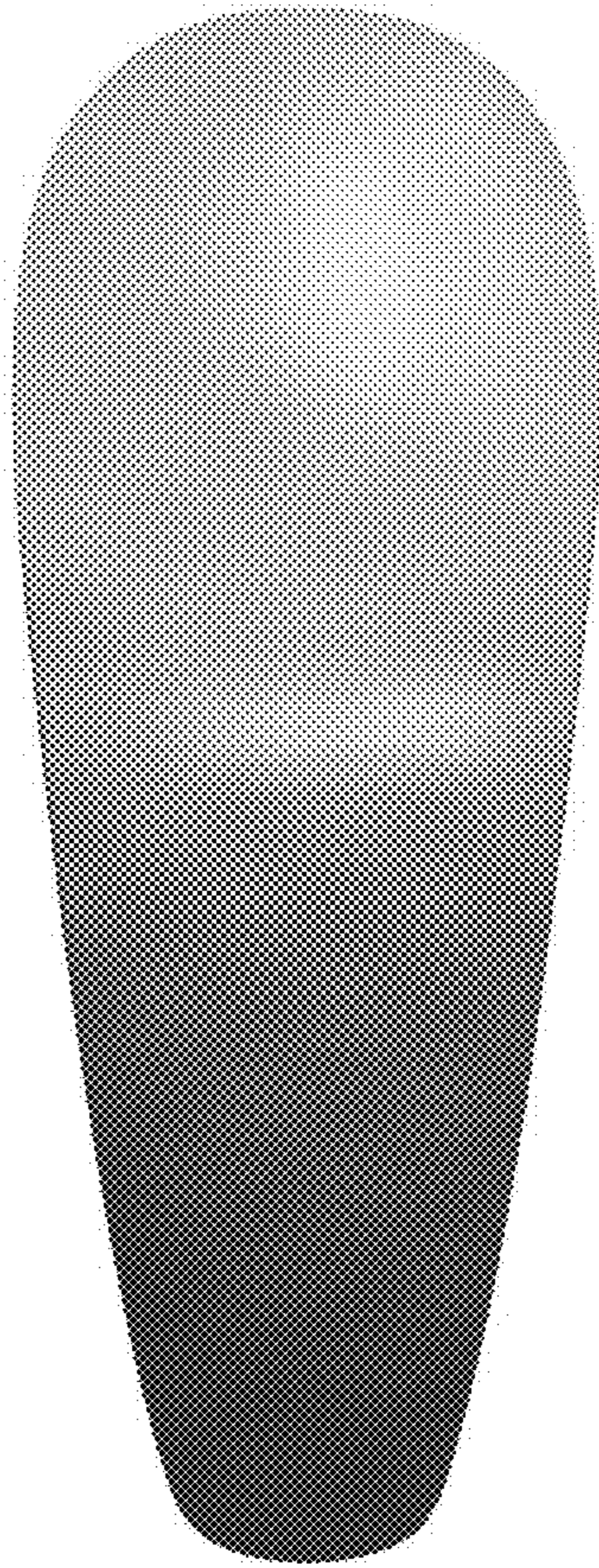


FIG. 12

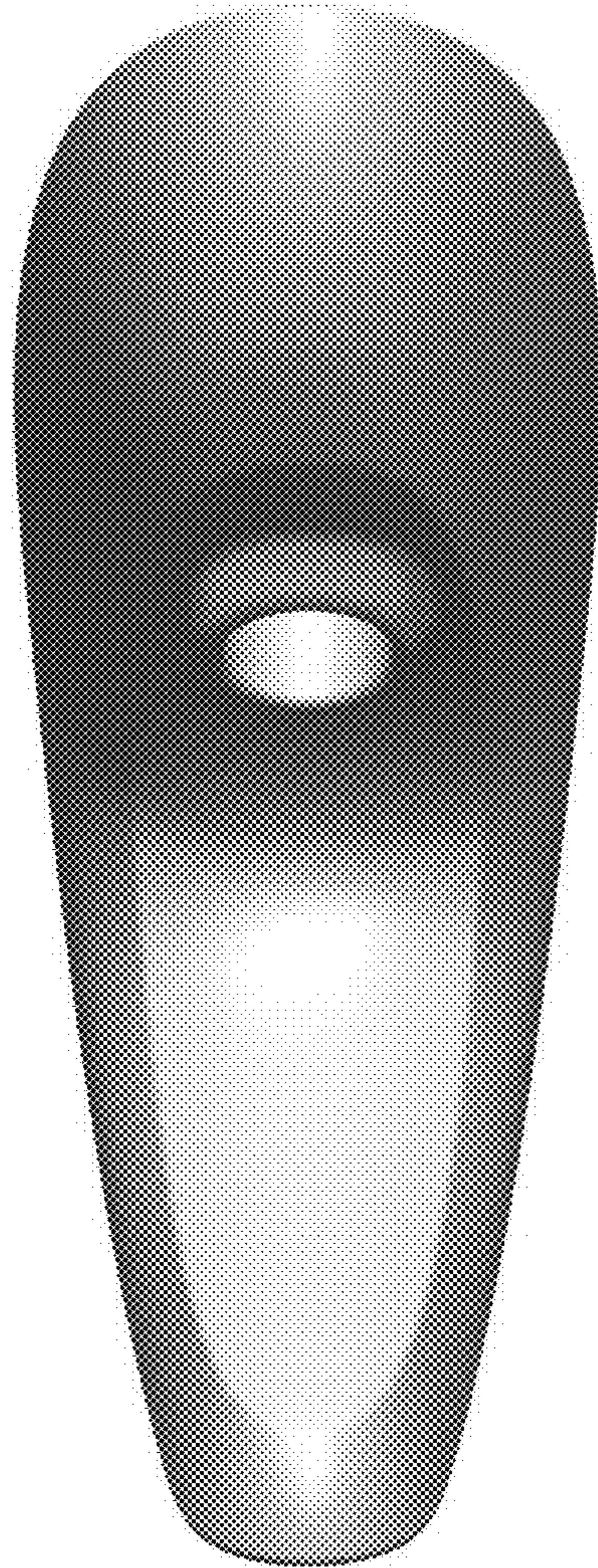


FIG. 13

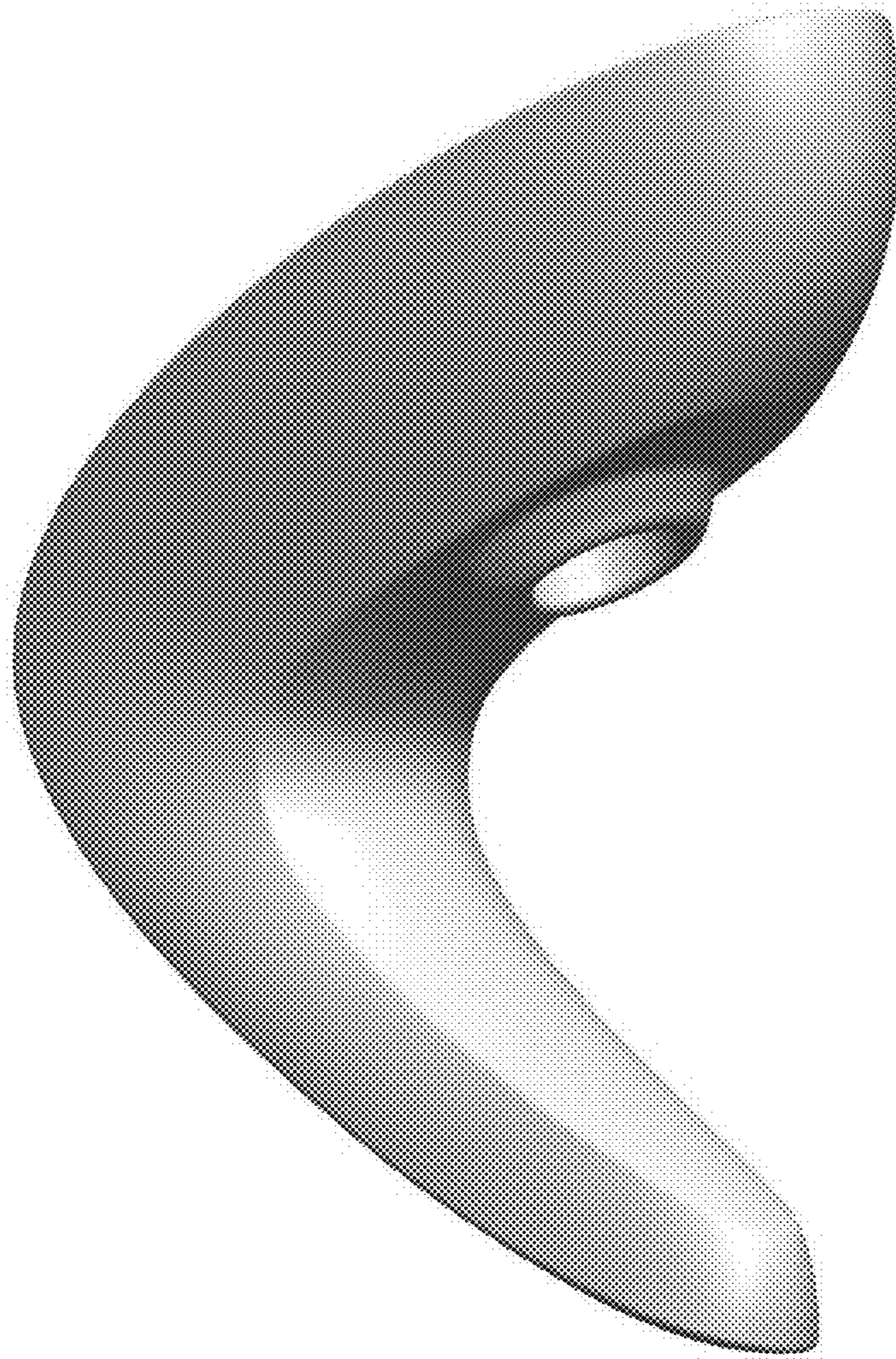


FIG. 14

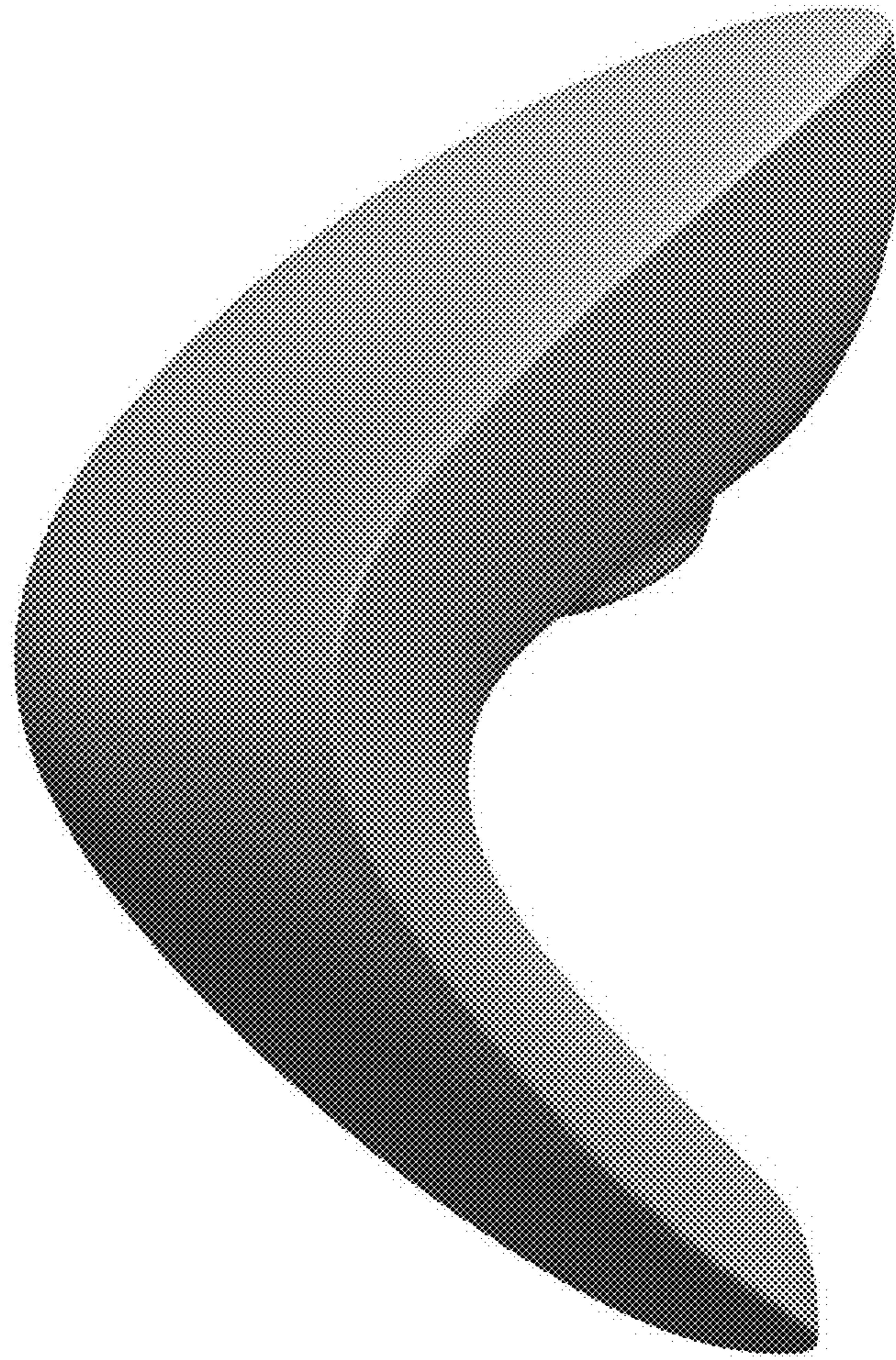


FIG. 15

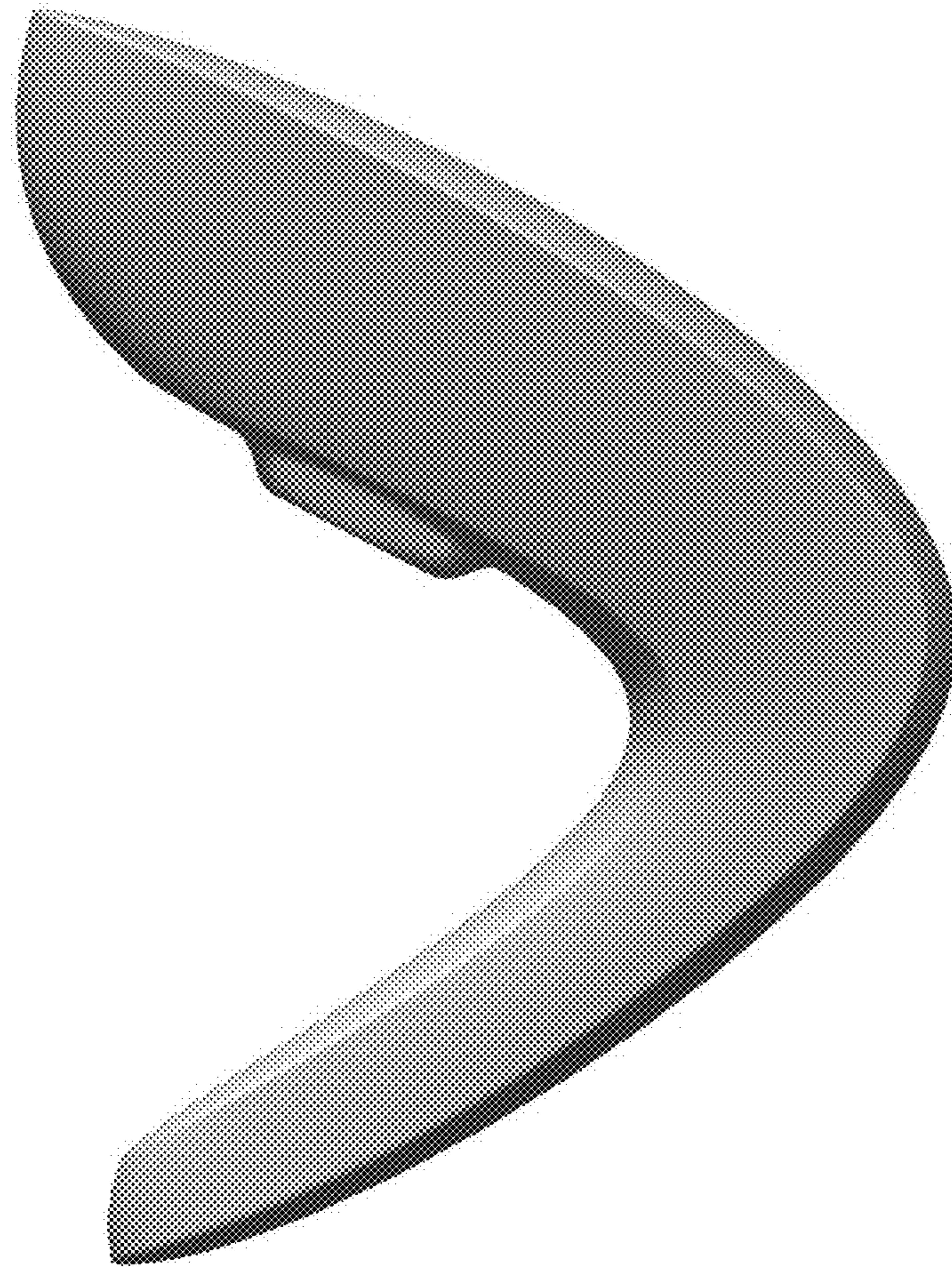


FIG. 16

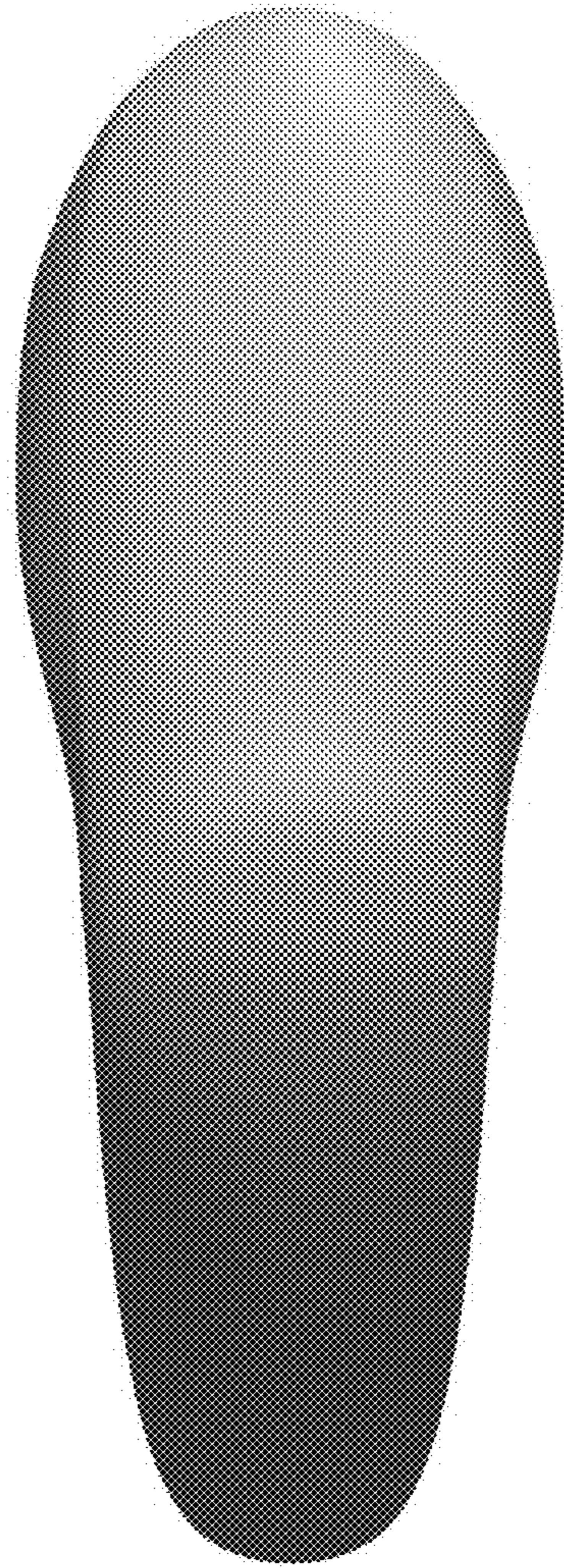


FIG. 17

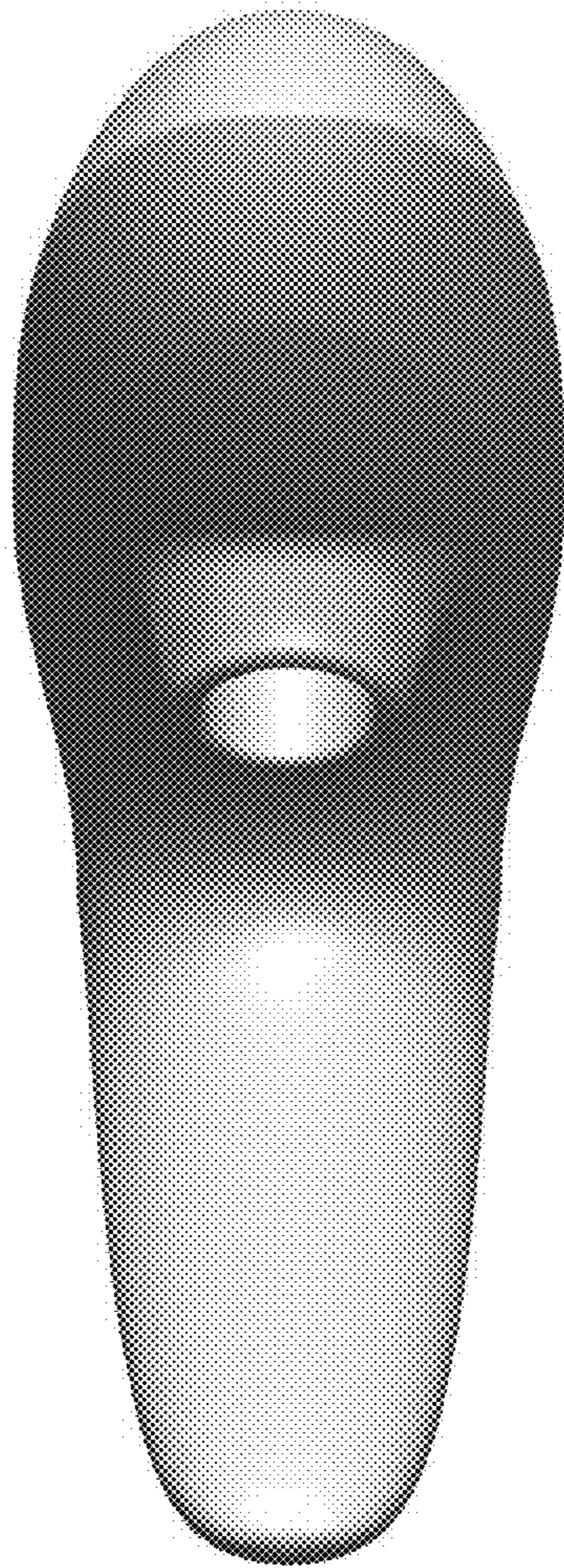


FIG. 18

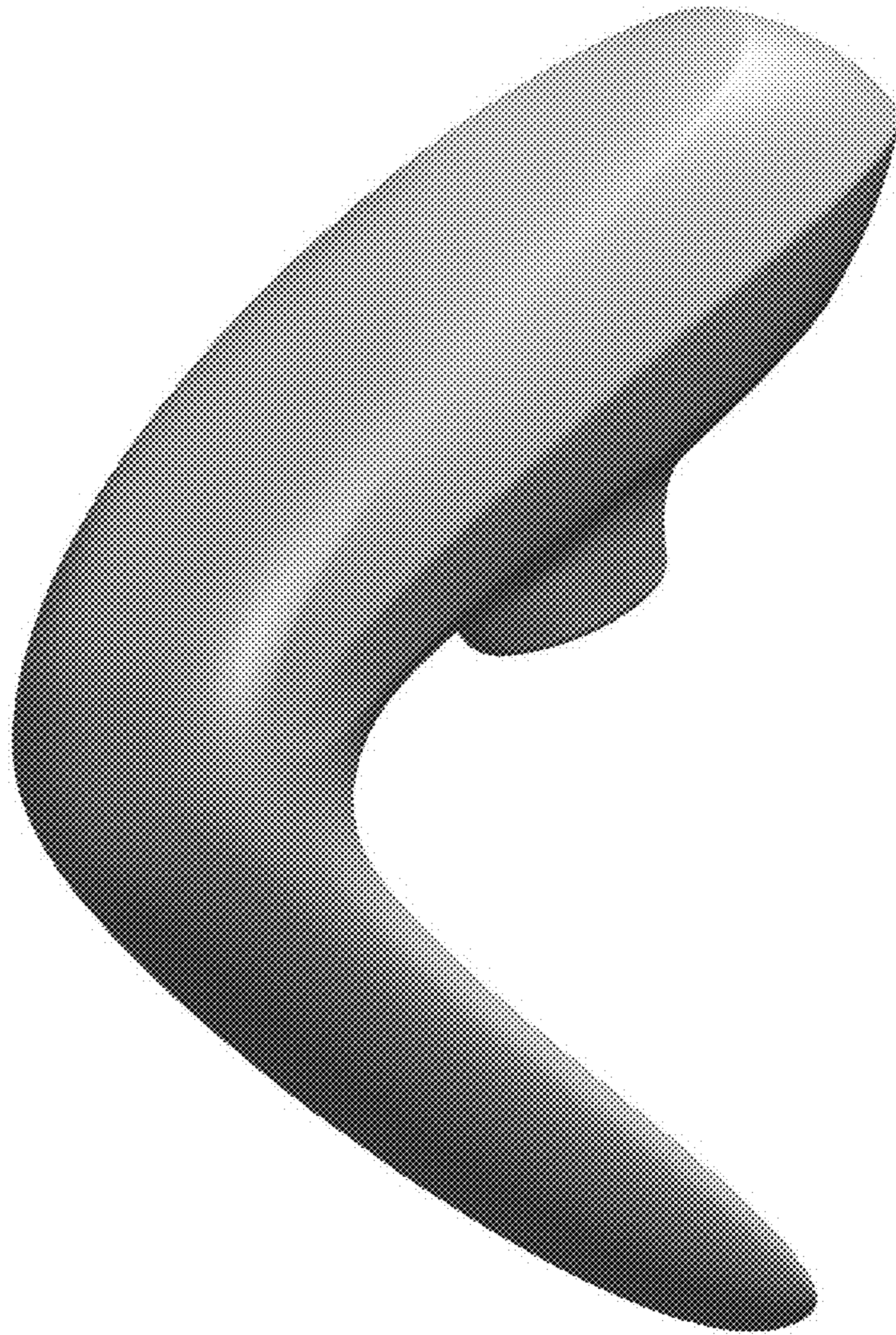


FIG. 19

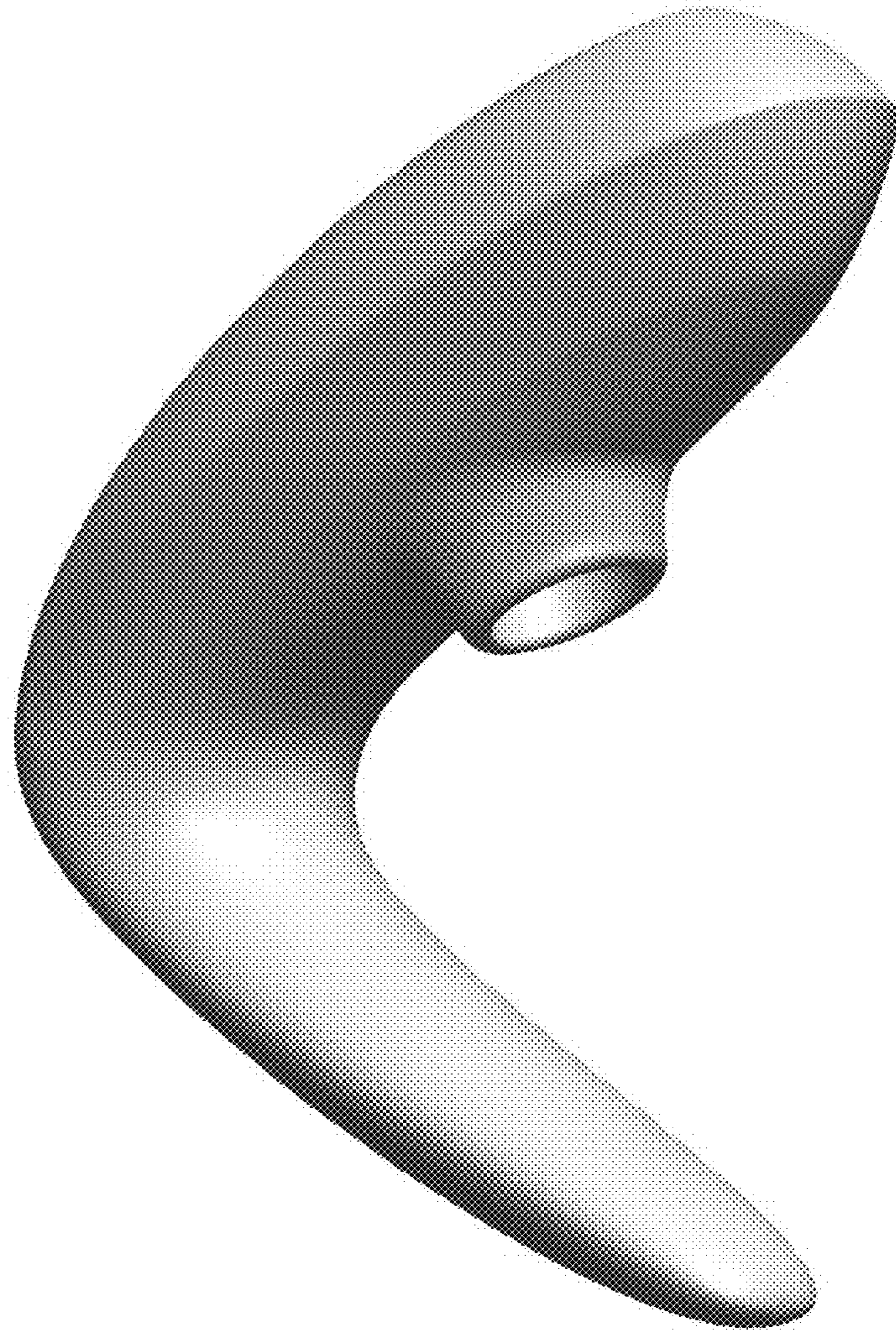


FIG. 20

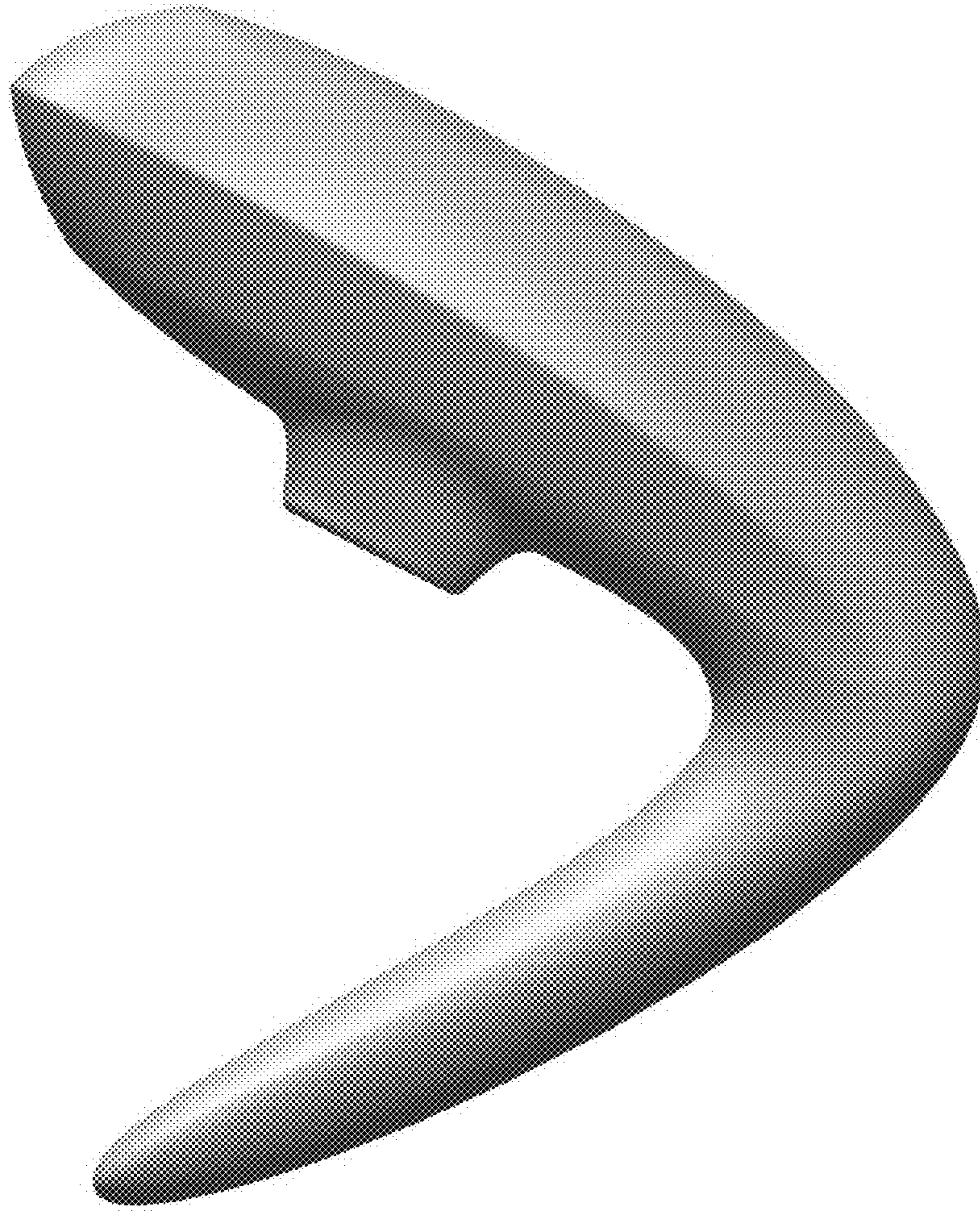


FIG. 21