



US00D941482S

(12) **United States Design Patent** (10) **Patent No.:** **US D941,482 S**  
**Thompson, Jr.** (45) **Date of Patent:** **\*\* Jan. 18, 2022**

(54) **ROLLER**  
(71) Applicant: **Coulter Ventures, LLC.**, Columbus, OH (US)  
(72) Inventor: **Donald Wayne Thompson, Jr.**, West Columbia, SC (US)  
(73) Assignee: **Coulter Ventures, LLC.**, Columbus, OH (US)

D381,851 S 8/1997 Sharpe  
6,379,286 B1 4/2002 Scopino et al.  
D469,924 S 2/2003 Farrell  
D546,402 S 7/2007 Sonnier  
D567,952 S 4/2008 Fink  
D567,954 S 4/2008 Fink  
D567,955 S 4/2008 Fink  
D578,260 S 10/2008 Fellingner  
D660,450 S \* 5/2012 Johnson ..... D24/215  
D670,817 S \* 11/2012 Narevsky ..... D24/211  
D689,155 S \* 9/2013 Jahns ..... D21/692

(Continued)

(\*\*) Term: **15 Years**

(21) Appl. No.: **29/752,062**

(22) Filed: **Sep. 24, 2020**

**Related U.S. Application Data**

(63) Continuation of application No. 29/688,289, filed on Apr. 19, 2019, now Pat. No. Des. 898,931.  
(51) **LOC (13) Cl.** ..... **28-03**  
(52) **U.S. Cl.**  
USPC ..... **D24/211**  
(58) **Field of Classification Search**  
USPC ..... D24/200, 211, 212, 213, 214, 215;  
D30/160; D12/178  
CPC ..... A61H 7/001; A61H 7/007; A61H 7/00  
See application file for complete search history.

(56) **References Cited**

**U.S. PATENT DOCUMENTS**

2,546,095 A \* 3/1951 Gustlin ..... A61H 15/02  
601/121  
D253,373 S \* 11/1979 Celeste ..... 601/121  
D256,503 S 8/1980 Moustakas  
D274,649 S \* 7/1984 Shiu ..... D24/212  
D299,972 S \* 2/1989 Moore ..... 401/208  
D303,974 S 10/1989 Karr  
D361,132 S 8/1995 Lee  
D371,331 S 7/1996 Mooradian  
D375,578 S \* 11/1996 Hibri ..... D28/37

**OTHER PUBLICATIONS**

Youtube, "Donnie Thompson and the Rogue DT Tempering Rollers", Jan. 28, 2019. [https://www.youtube.com/watch?v=9pqrh\\_Pv7Fo](https://www.youtube.com/watch?v=9pqrh_Pv7Fo). Shown at 1:47 minute mark. (Year: 2019).\*

(Continued)

*Primary Examiner* — Cynthia Ramirez  
*Assistant Examiner* — Michael A Maharajh  
(74) *Attorney, Agent, or Firm* — Banner & Witcoff, Ltd.

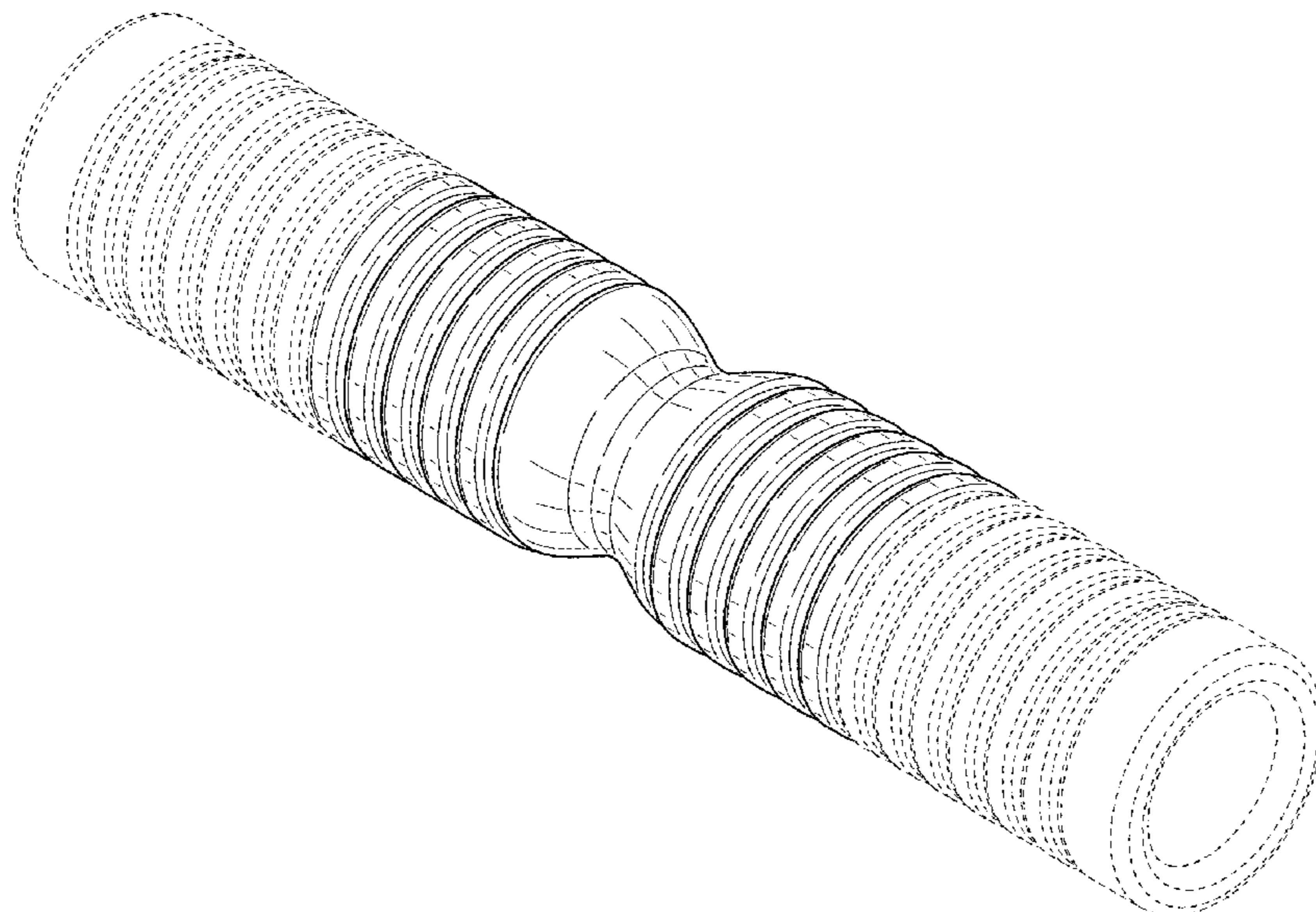
(57) **CLAIM**

The ornamental design for a roller, as shown and described.

**DESCRIPTION**

FIG. 1 is a top, front, right perspective view of a roller showing my new design;  
FIG. 2 is a front view thereof;  
FIG. 3 is a rear view thereof;  
FIG. 4 is a right side view thereof;  
FIG. 5 is a left side view thereof;  
FIG. 6 is a top view thereof; and,  
FIG. 7 is a bottom view thereof.  
The even-length broken lines shown in the figures are for the purpose of illustrating portions of the roller, which form no part of the claimed design.

**1 Claim, 4 Drawing Sheets**



(56)

References Cited

U.S. PATENT DOCUMENTS

D693,934 S 11/2013 Lin  
 D700,346 S \* 2/2014 Palizzi ..... D24/211  
 D700,709 S \* 3/2014 Khodabakhshian ..... D24/211  
 D713,050 S 9/2014 Kao  
 D736,398 S 8/2015 Kwon  
 D737,456 S \* 8/2015 McDonough ..... A61H 15/0092  
 D24/211  
 D744,112 S 11/2015 Phillips et al.  
 D749,233 S \* 2/2016 Phillips ..... A61H 15/0092  
 D24/211  
 D755,304 S \* 5/2016 Ackerman ..... D21/698  
 D764,066 S \* 8/2016 Somjee ..... D24/211  
 D785,103 S \* 4/2017 Townsend ..... D21/662  
 D788,313 S \* 5/2017 Lawrie ..... D24/211  
 D800,330 S \* 10/2017 Loos ..... A61H 15/00  
 D24/211  
 D801,400 S \* 10/2017 Willison ..... D15/78  
 D805,649 S \* 12/2017 Mizelle ..... D24/211  
 D809,612 S \* 2/2018 Ganea ..... D21/662  
 D822,772 S \* 7/2018 Jorgenson ..... D21/662  
 D825,695 S \* 8/2018 Kim ..... D21/662  
 D827,846 S \* 9/2018 De Nitto ..... D24/211  
 D829,920 S \* 10/2018 Carpinelli ..... D24/211  
 D833,026 S \* 11/2018 Khodabakhshian ..... D24/211  
 D833,027 S \* 11/2018 Viner ..... D24/211  
 D833,635 S \* 11/2018 Chen ..... D24/214  
 D842,486 S \* 3/2019 Kaoru ..... D24/211  
 D845,498 S \* 4/2019 Johnson ..... D24/211  
 D849,338 S \* 5/2019 Becattini, Jr. .... D30/160  
 10,307,325 B1 6/2019 Johnson  
 D863,579 S \* 10/2019 Wang ..... D24/211  
 D863,583 S \* 10/2019 Carpinello ..... D24/213  
 D871,685 S \* 12/2019 McMillan ..... D30/160  
 D872,198 S 1/2020 Kim  
 D872,387 S \* 1/2020 Crane ..... D30/160  
 D874,184 S 2/2020 Chou  
 D875,962 S 2/2020 Spratt  
 D876,657 S \* 2/2020 Lin ..... D24/211  
 10,561,923 B1 \* 2/2020 Harvey ..... A63B 21/4035  
 D878,618 S 3/2020 Kafker et al.  
 D882,805 S \* 4/2020 Lien ..... D24/211

D883,503 S 5/2020 Pasquale  
 D884,804 S \* 5/2020 Ross ..... D21/662  
 D886,314 S \* 6/2020 Morris ..... D24/211  
 D887,094 S \* 6/2020 Ruan ..... D30/160  
 D903,890 S \* 12/2020 Spratt ..... D24/215  
 2004/0204664 A1 10/2004 Chu  
 2015/0133835 A1 5/2015 Fadil et al.  
 2015/0343256 A1 12/2015 Coompol  
 2016/0235619 A1 8/2016 Yeh  
 2016/0279009 A1 \* 9/2016 Somjee ..... A61H 1/008  
 2016/0331628 A1 \* 11/2016 Kuo ..... A61H 7/007  
 2017/0216133 A1 8/2017 Yih  
 2017/0252262 A1 9/2017 Chang  
 2017/0312169 A1 11/2017 Polenik et al.  
 2018/0289581 A1 \* 10/2018 Zook ..... A61H 1/00  
 2018/0326254 A1 11/2018 Earls et al.  
 2019/0060160 A1 2/2019 Krichevsky et al.  
 2019/0110947 A1 \* 4/2019 Ekema ..... A61H 15/0092  
 2019/0343713 A1 11/2019 Boghosian  
 2020/0030181 A1 1/2020 Lin et al.

OTHER PUBLICATIONS

Rogiefitness, "Rogue DT Tempering Roller", Mar. 15, 2021. <https://www.rogiefitness.com/rogue-dt-tempering-roller?bvstate=pg:2/ct:r#customer-reviews>. Shown on p. 1. (Year: 2021).\*

Body Tempering web page from <<https://web.archive.org/web/20190126122832/https://bodytempering.com/body-tempering/>>, dated Jan. 26, 2019.

Photos of body tempering rollers from <<https://web.archive.org/web/20190126122832/https://bodytempering.com/body-tempering/>>, dated Jan. 26, 2019.

Kabuki Strength Body Tempering product listings from <<https://web.archive.org/web/20170224042536/http://store.kabukistrength.net/collections/body-tempering>>, dated Feb. 24, 2017.

Body Tempering web page from <<https://web.archive.org/web/20190312011524/https://bodytempering.com/project/order-custom-tempering-tools/>>, dated Mar. 12, 2019.

Big Hes Strength Body Tempering Rollers product listings from <<https://squareup.com/store/bighesstrength/>>, believed to be available prior to Apr. 19, 2019.

\* cited by examiner

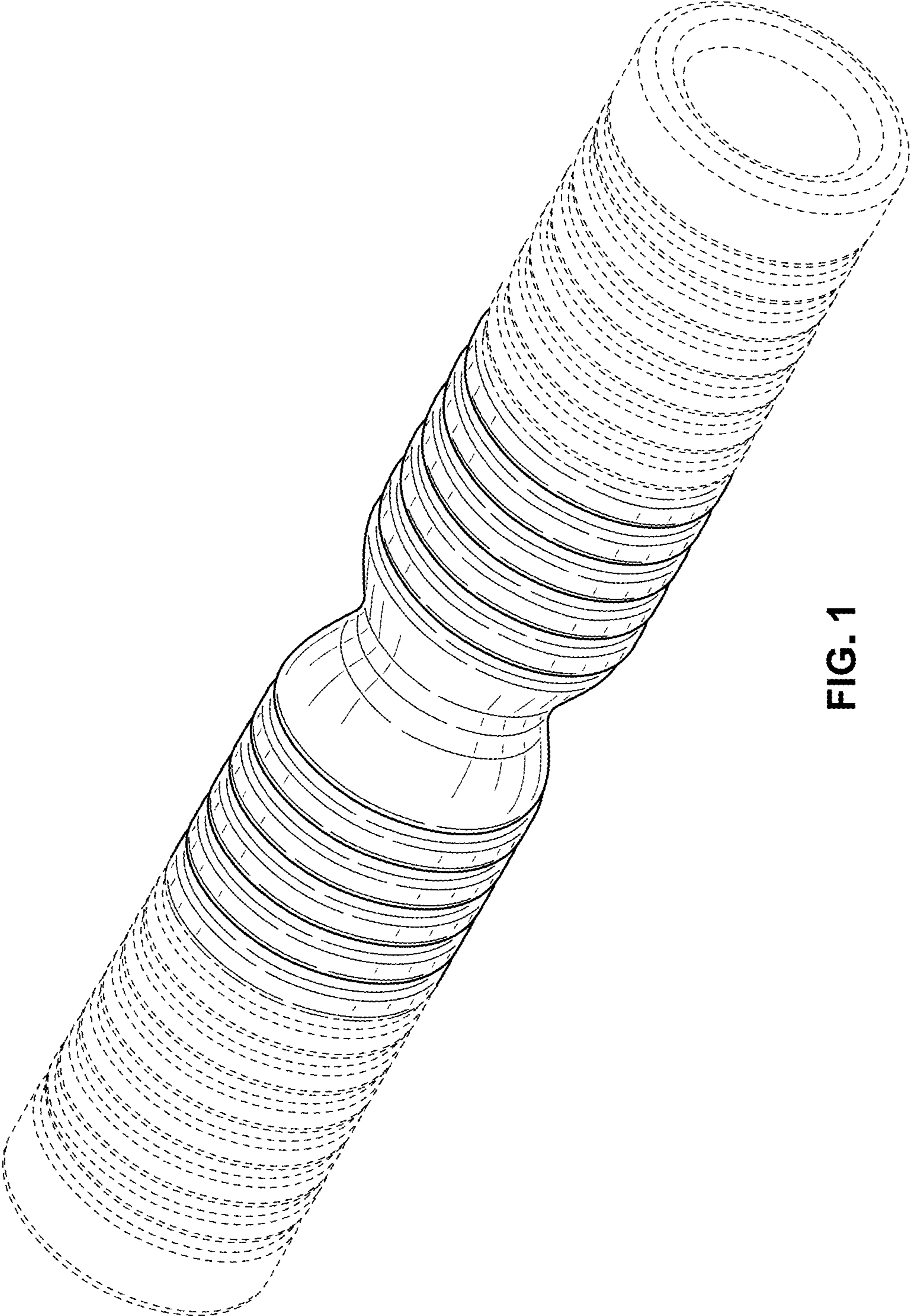


FIG. 1

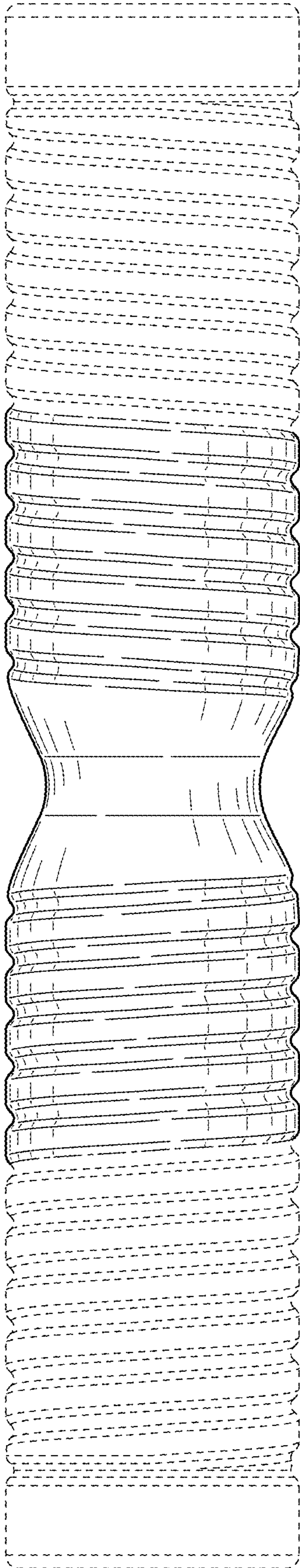


FIG. 2

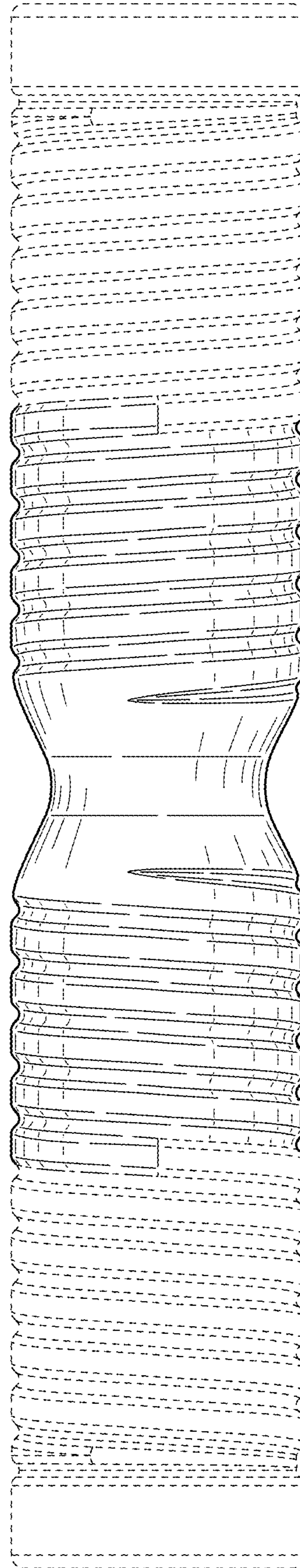


FIG. 3

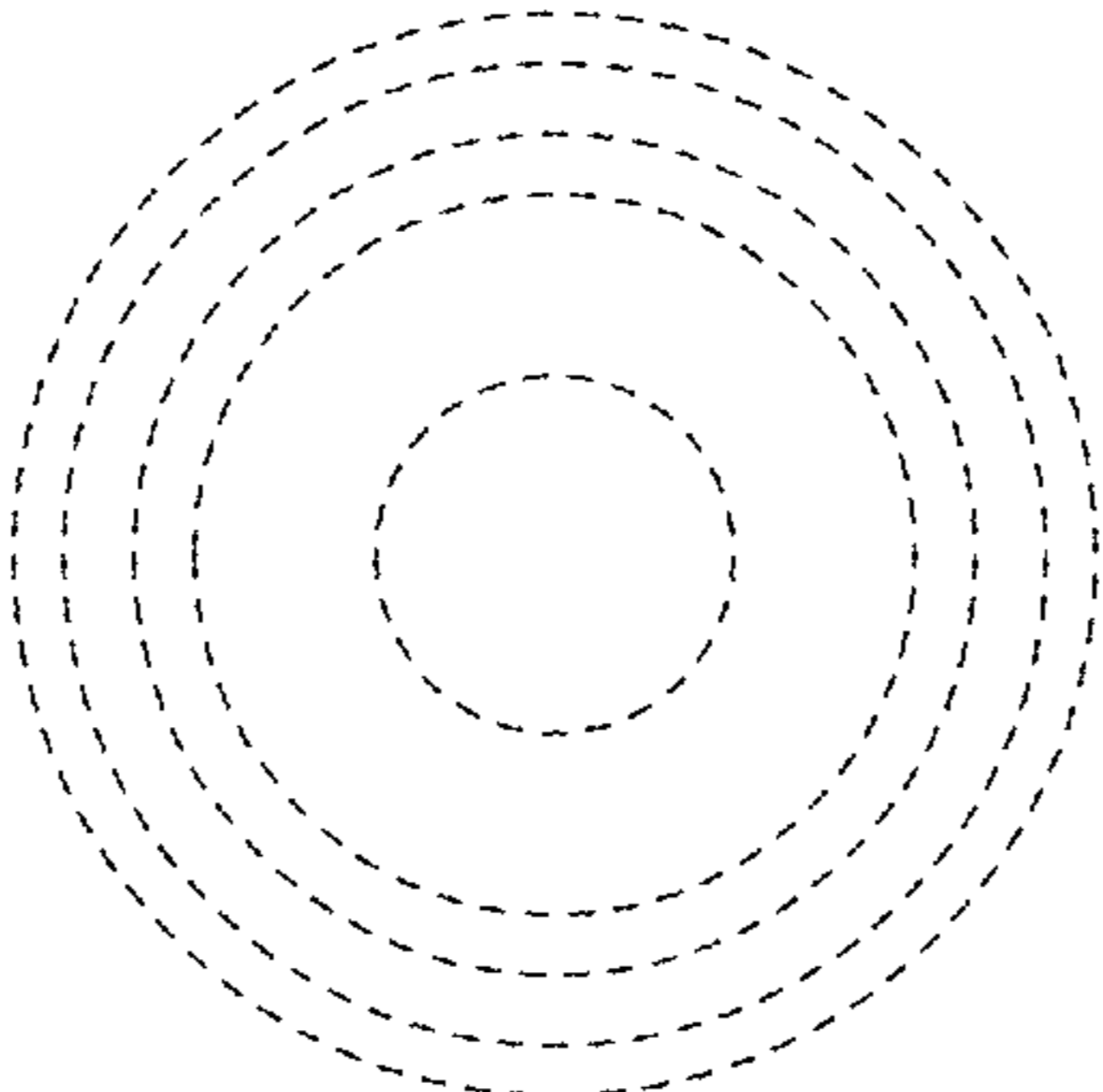


FIG. 5

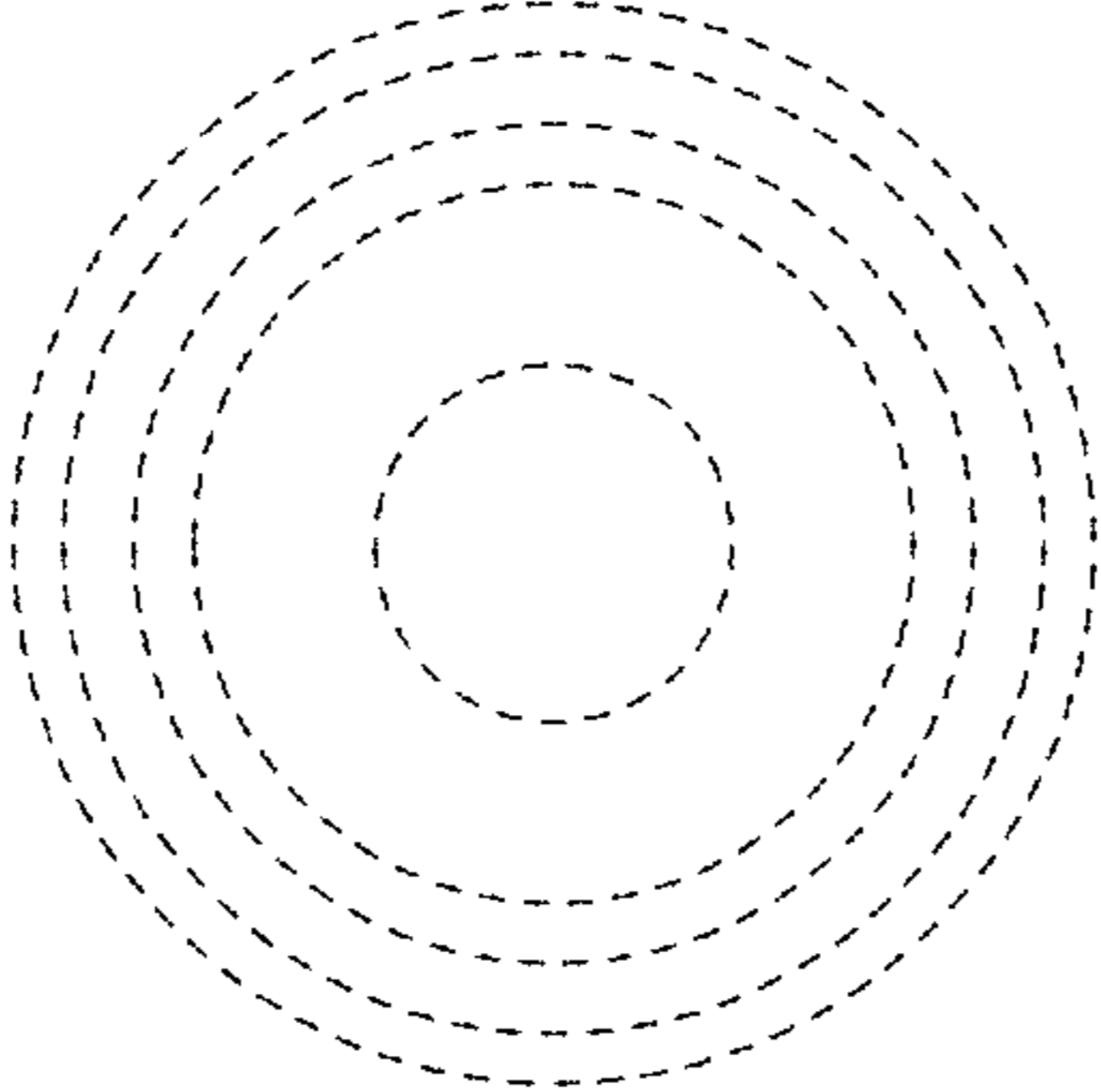


FIG. 4

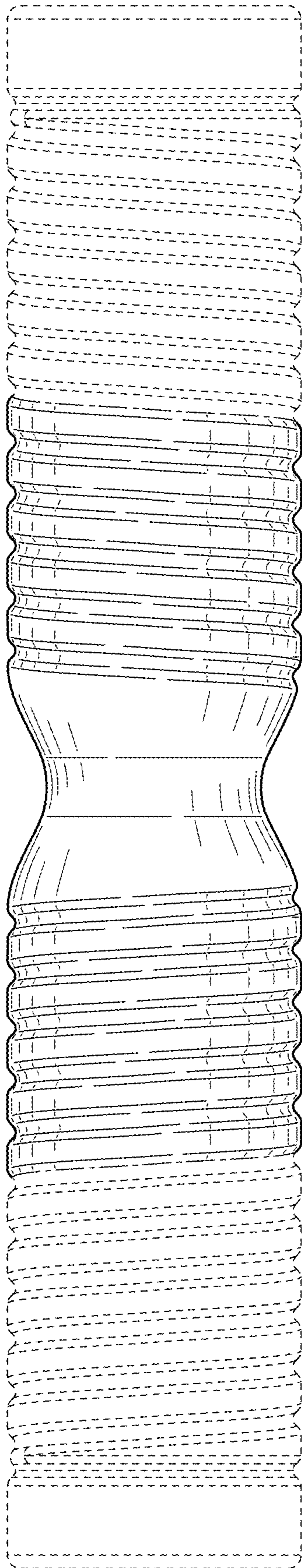


FIG. 6

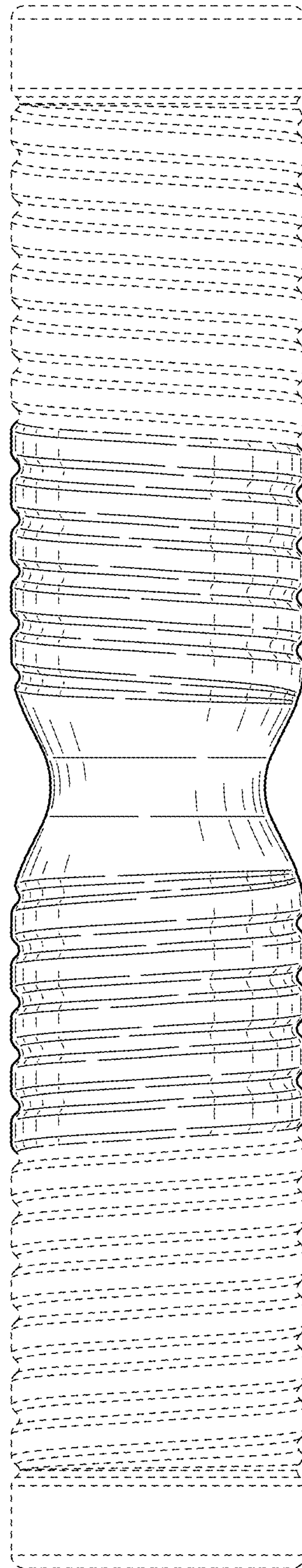


FIG. 7