



US00D941476S

(12) **United States Design Patent**
Cannon et al.

(10) **Patent No.:** **US D941,476 S**
(45) **Date of Patent:** **** Jan. 18, 2022**

- (54) **COMPOSITE DELIVERY SYSTEM** 5,618,273 A * 4/1997 Fischer A61C 5/62
222/390
- (71) Applicant: **Ultradent Products, Inc.**, South Jordan, UT (US) D409,305 S 5/1999 Martin
6,319,002 B1 11/2001 Pond
6,502,608 B1 * 1/2003 Burchett B05C 17/00593
141/386
- (72) Inventors: **Wade Cannon**, South Jordan, UT (US);
Bruce S. McLean, South Jordan, UT (US); **Dan E. Fischer**, South Jordan, UT (US) 7,261,559 B2 8/2007 Smith
D698,918 S 2/2014 Leiner
8,800,816 B2 * 8/2014 Summons B05C 17/00593
222/129
- (73) Assignee: **Ultradent Products, Inc.**, South Jordan, UT (US) 8,834,158 B2 9/2014 Leiner
9,409,201 B2 * 8/2016 Summons B05C 17/00593
D776,261 S 1/2017 Jones
9,668,826 B2 6/2017 Claypool
D820,985 S 6/2018 McLean
10,286,370 B2 * 5/2019 Vogt B01F 15/0087
- (**) Term: **15 Years**

(Continued)

(21) Appl. No.: **29/729,807**

(22) Filed: **Mar. 30, 2020**

Related U.S. Application Data

(60) Division of application No. 29/643,486, filed on Apr. 18, 2018, now Pat. No. Des. 883,492, which is a division of application No. 29/563,610, filed on May 6, 2016, now Pat. No. Des. 820,985, which is a continuation of application No. 13/231,717, filed on Sep. 13, 2011, now abandoned.

(51) **LOC (13) Cl.** **24-02**

(52) **U.S. Cl.**
USPC **D24/176**

(58) **Field of Classification Search**
USPC D24/152, 176, 108, 112-114, 127
CPC A61C 5/62; A61C 5/66; A61C 5/68; B05C 17/00593; B05C 17/00; B05C 17/005
See application file for complete search history.

(56) **References Cited**

U.S. PATENT DOCUMENTS

- 5,387,103 A 2/1995 Fischer
- 5,603,701 A 2/1997 Fischer

Primary Examiner — Wan Laymon

(74) *Attorney, Agent, or Firm* — Maschoff Brennan

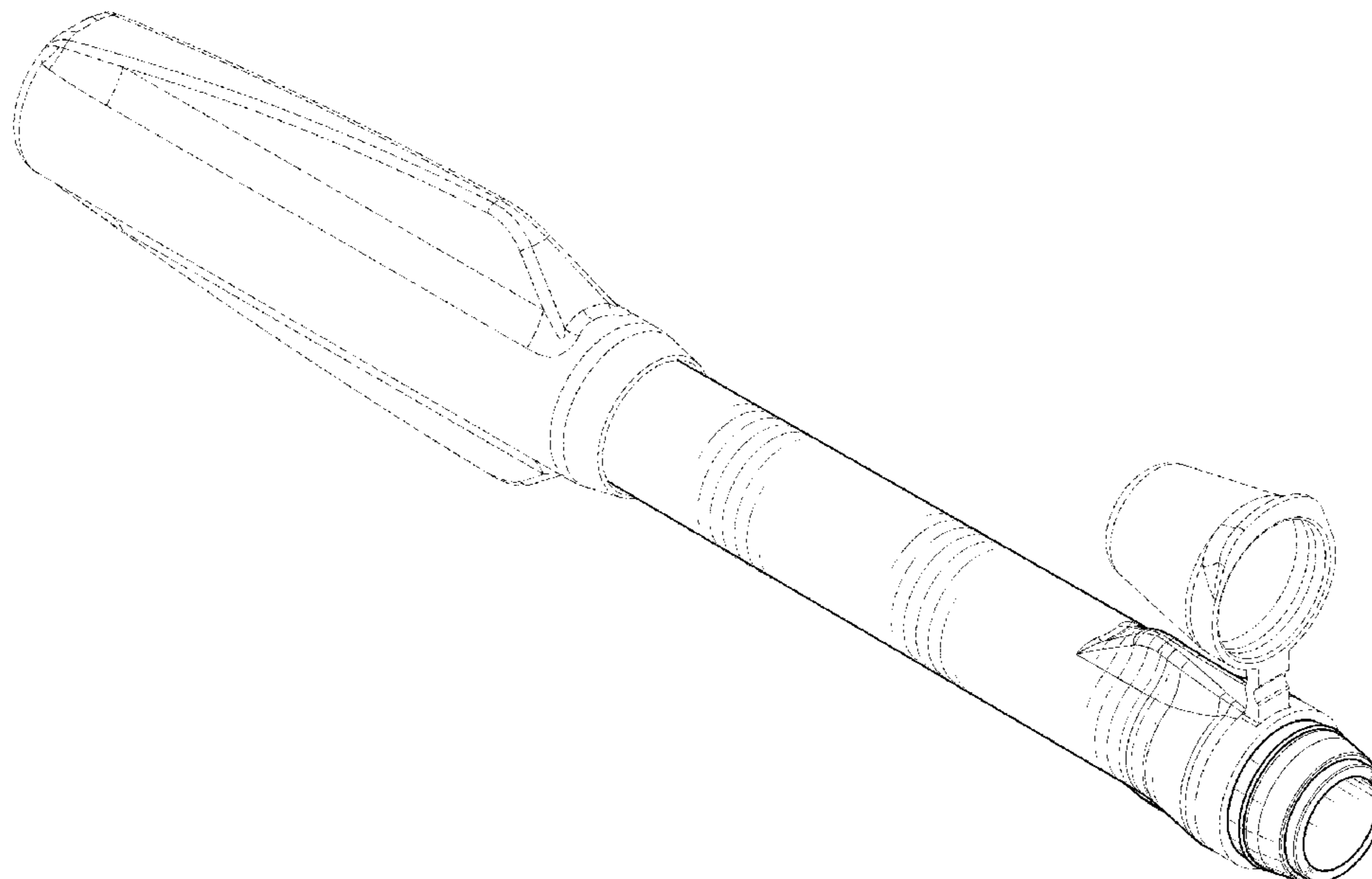
(57) **CLAIM**

The ornamental design for a composite delivery system, as shown and described.

DESCRIPTION

FIG. 1 is an upper perspective view of a composite delivery system;
FIG. 2 is a left-side view of the composite delivery system;
FIG. 3 is a right-side view of the composite delivery system;
FIG. 4 is a front view of the composite delivery system;
FIG. 5 is a rear view of the composite delivery system;
FIG. 6 is a top view of the composite delivery system; and,
FIG. 7 is a bottom view of the composite delivery system.
The broken lines showing portions of the composite delivery system are included for the purpose of illustrating environmental structures and form no part of the claimed design.

1 Claim, 4 Drawing Sheets



(56)

References Cited

U.S. PATENT DOCUMENTS

D883,492	S	5/2020	Cannon	
10,722,327	B2 *	7/2020	Dubey	A61C 5/62
2002/0094506	A1 *	7/2002	Fischer	A61C 5/62
				433/90
2003/0190580	A1	10/2003	Khachatourian	
2007/0078392	A1 *	4/2007	Jessop	A61C 5/62
				604/122
2007/0106210	A1 *	5/2007	Fischer	A61C 5/62
				604/82
2007/0251839	A1 *	11/2007	Jessop	A61C 5/62
				206/221
2012/0064481	A1 *	3/2012	Cannon	A61C 5/62
				433/90
2016/0324608	A1	11/2016	Frymark et al.	

* cited by examiner

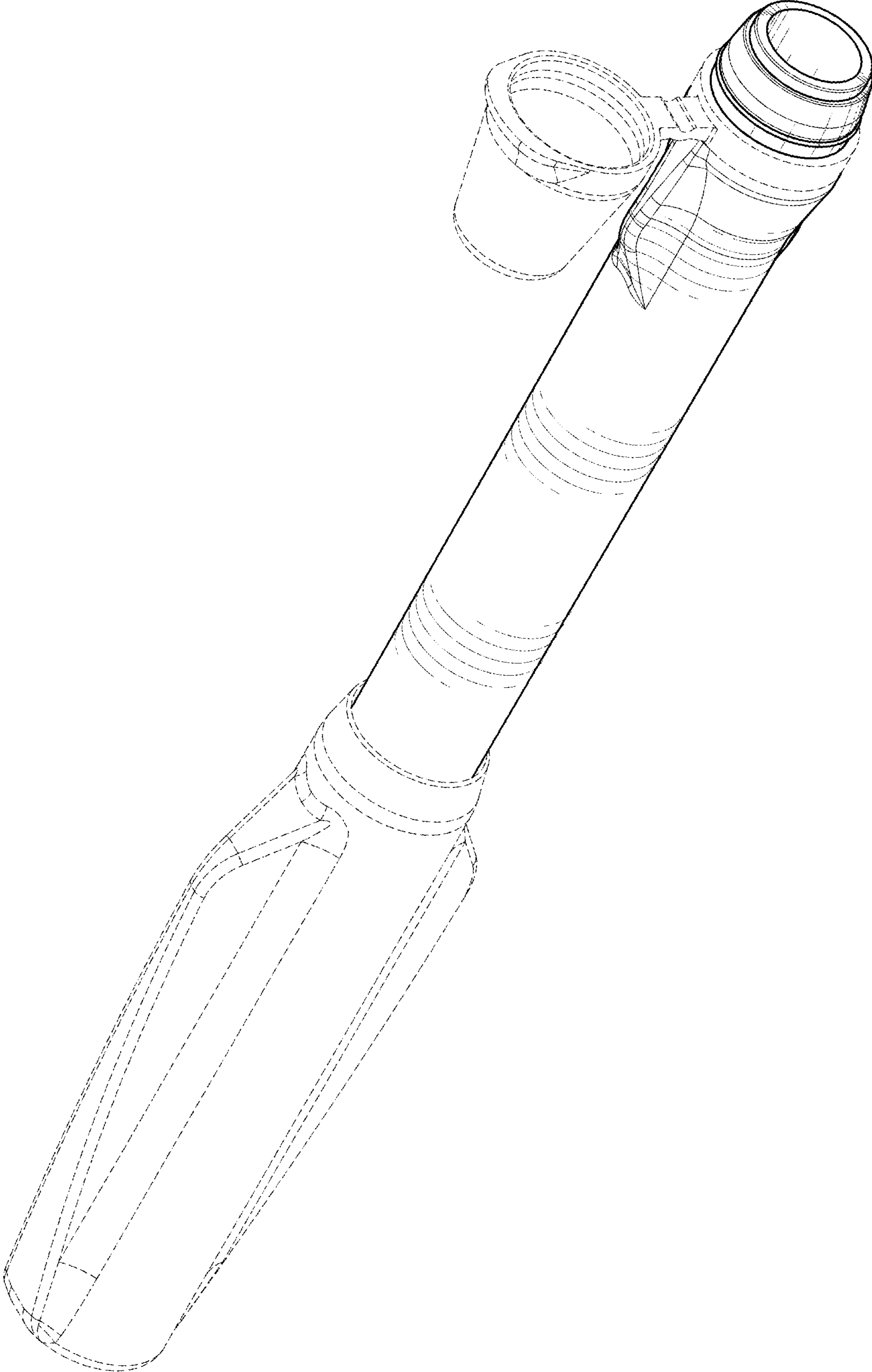


FIG. 1

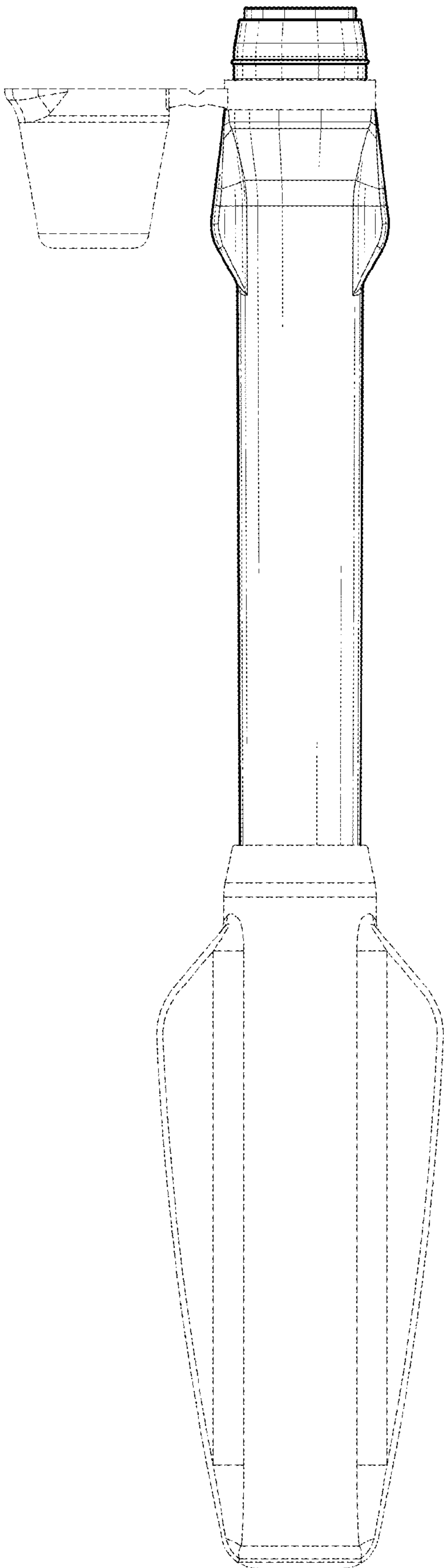


FIG. 2

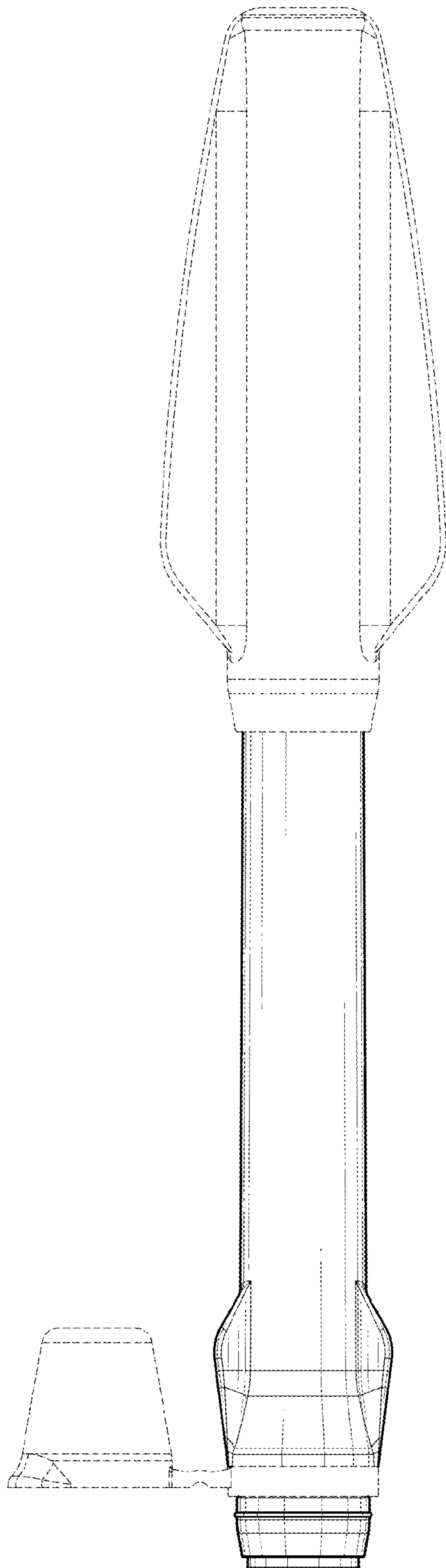


FIG. 3

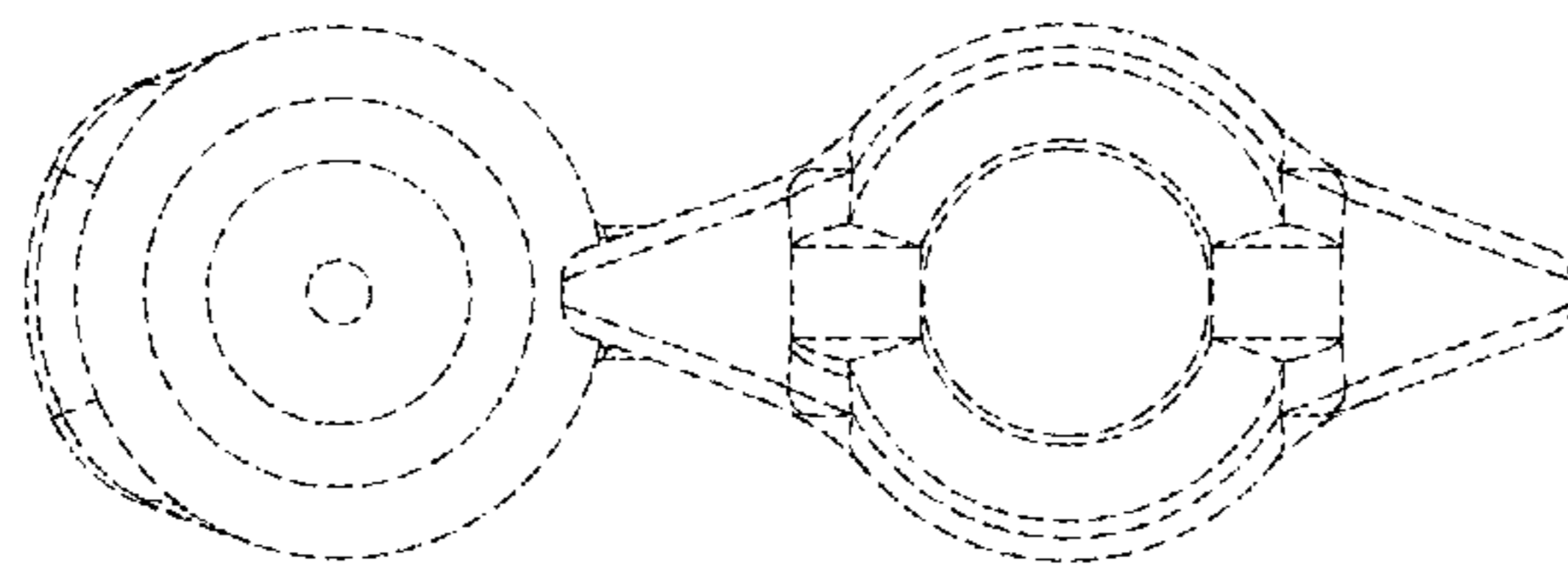


FIG. 5

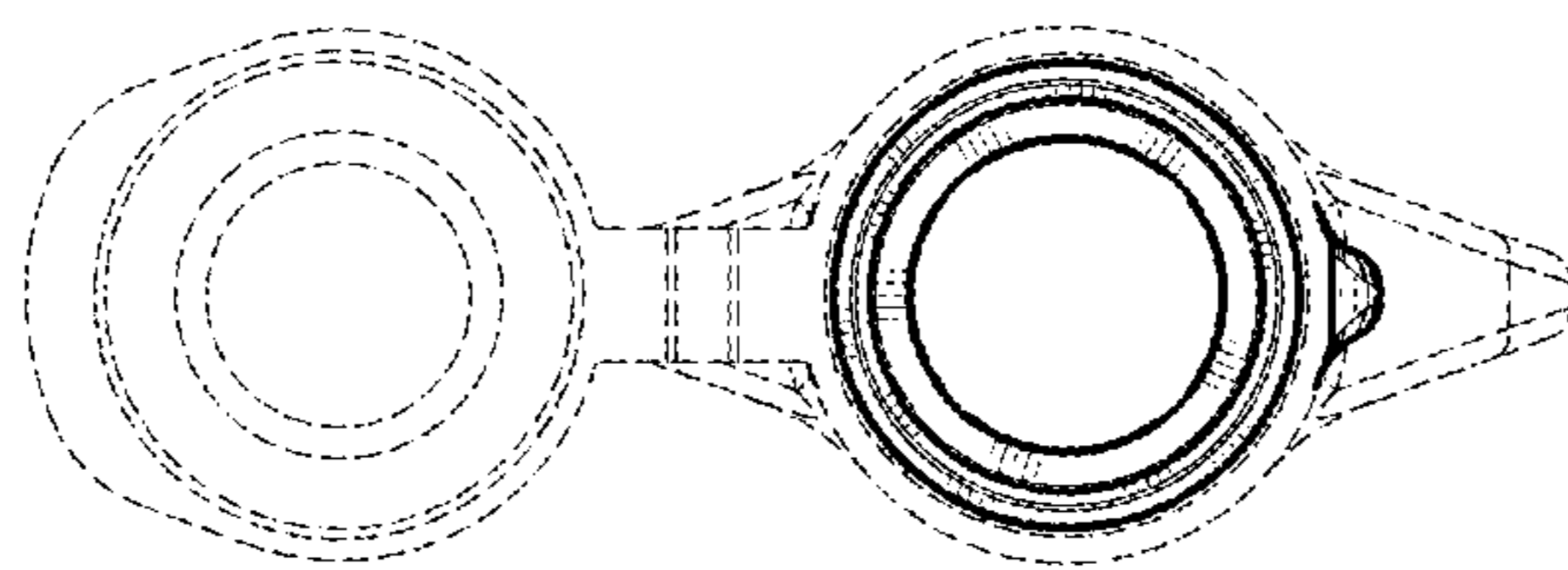


FIG. 4

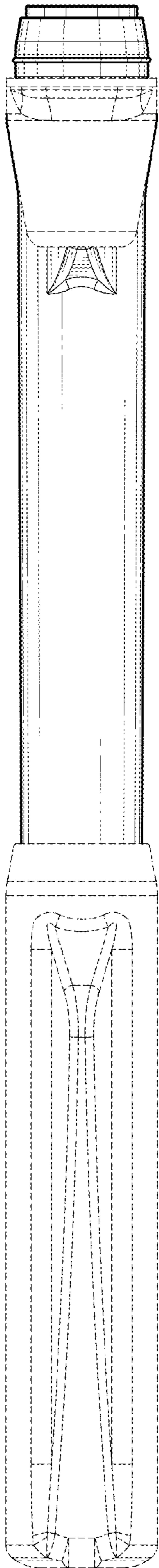


FIG. 6

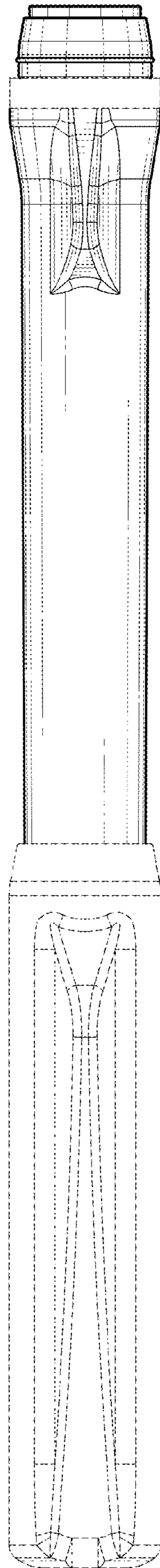


FIG. 7