



US00D941473S

(12) **United States Design Patent** (10) **Patent No.:** **US D941,473 S**
Maw (45) **Date of Patent:** **** Jan. 18, 2022**

(54) **FILTER CARTRIDGE**
(71) Applicant: **SoClean, Inc.**, Peterborough, NH (US)
(72) Inventor: **Kurt Michael Maw**, Salem, MA (US)
(73) Assignee: **SOCLEAN, INC.**, Peterborough, NH (US)
(**) Term: **15 Years**
(21) Appl. No.: **29/684,196**
(22) Filed: **Mar. 19, 2019**
(51) **LOC (13) Cl.** **24-01**
(52) **U.S. Cl.**
USPC **D24/162**
(58) **Field of Classification Search**
USPC D13/162, 129, 110.1, 217; D23/366,
D23/365, 209
CPC .. B01D 46/525; B01D 46/0005; B01D 46/10;
B01D 46/527
See application file for complete search history.

D895,062 S * 9/2020 Mattox D23/209
D905,842 S * 12/2020 Rahn D23/365
D907,209 S * 1/2021 Maw D24/162
D907,210 S * 1/2021 Maw D24/162

(Continued)

OTHER PUBLICATIONS

“So Clean . . .” reference dated Sep. 30, 3031 found on the internet by RMS at: <https://www.soclean.com/lifestyle/product/device-disinfector-filter>.*

(Continued)

Primary Examiner — Rhea Shields
(74) *Attorney, Agent, or Firm* — Grossman, Tucker, Perrault and Pflieger, PLLC

(57) **CLAIM**

The ornamental design of a filter cartridge, as shown and described.

DESCRIPTION

FIG. 1 is a rear top right perspective view of a filter cartridge, showing the new design;
FIG. 2 is a rear top left perspective view thereof;
FIG. 3 is a front top left perspective view thereof;
FIG. 4 is a front top right perspective view thereof;
FIG. 5 is a rear bottom right perspective view thereof;
FIG. 6 is a rear bottom left perspective view thereof;
FIG. 7 is a rear view thereof;
FIG. 8 is a front view thereof;
FIG. 9 is a left side view thereof;
FIG. 10 is a right side thereof;
FIG. 11 is a top view thereof; and,
FIG. 12 is a bottom view thereof.

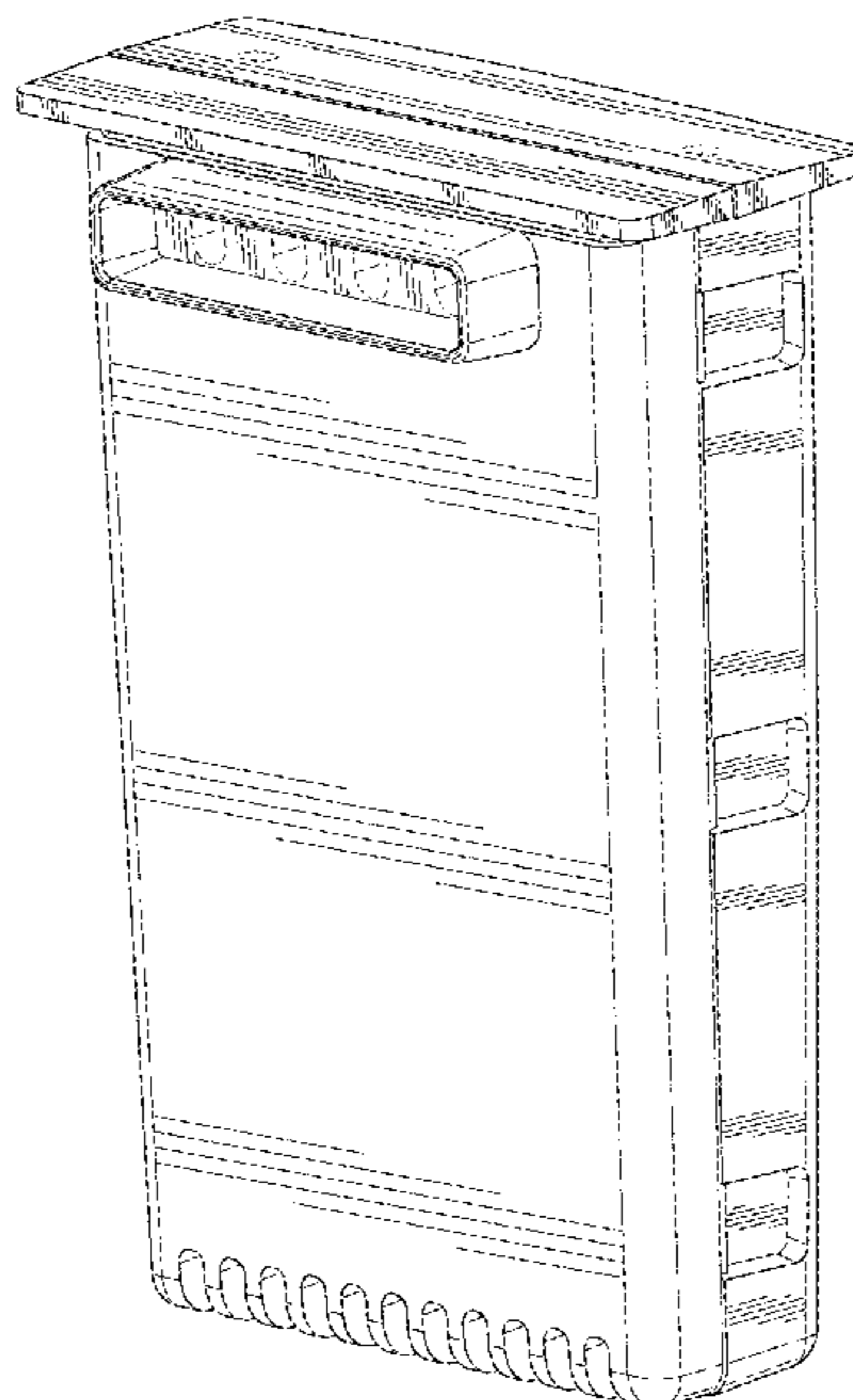
The broken lines in the figures show portions of the filter cartridge that form no part of the claimed design. Any color, logos, surface ornamentation, and written matter shown in the figures form no part of the claimed designed and is/are hereby disclaimed.

1 Claim, 12 Drawing Sheets

(56) **References Cited**

U.S. PATENT DOCUMENTS

D451,602 S * 12/2001 Juhlin D24/162
D479,300 S * 9/2003 Janik D23/209
D524,998 S 7/2006 Nickerson et al.
D679,825 S 4/2013 Elkerbout et al.
D719,673 S 12/2014 Leyva et al.
D732,172 S * 6/2015 Okazaki D24/162
9,610,373 B2 4/2017 Leyva
9,669,124 B2 6/2017 Leyva et al.
D792,941 S * 7/2017 Rummel D23/209
D795,415 S * 8/2017 Blomberg D24/110.1
D825,778 S 8/2018 Brenner et al.
D848,635 S * 5/2019 Davis D24/217
10,427,961 B2 10/2019 Leyva et al.
D884,141 S * 5/2020 Cannon D23/366
D884,866 S * 5/2020 Knight D23/365
D886,976 S * 6/2020 Horner D23/365



(56)

References Cited

U.S. PATENT DOCUMENTS

D912,762 S * 3/2021 Horner D23/209
D917,046 S * 4/2021 Abdul-Hafiz D24/129
D932,015 S * 9/2021 Frank D24/162
2013/0019576 A1* 1/2013 Krisko B01D 46/527
55/357
2014/0318092 A1* 10/2014 Rieger B01D 46/0005
55/511
2015/0013289 A1* 1/2015 Hasenfratz B01D 46/10
55/497
2018/0345196 A1* 12/2018 Campbell B01D 46/525

OTHER PUBLICATIONS

U.S. Appl. No. 29/684,168, filed Mar. 19, 2019.
U.S. Appl. No. 29/684,173, filed Mar. 19, 2019.
U.S. Appl. No. 29/684,180, filed Mar. 19, 2019.
U.S. Appl. No. 29/684,188, filed Mar. 19, 2019.
U.S. Appl. No. 29/684,229, filed Mar. 19, 2019.
U.S. Appl. No. 29/684,206, filed Mar. 19, 2019.
U.S. Appl. No. 29/684,213, filed Mar. 19, 2019.
Notice of Allowance dated Mar. 6, 2020, issued in U.S. Appl. No.
29/684,168, 8 pages.
Notice of Allowance dated Mar. 9, 2020, issued in U.S. Appl. No.
29/684,173, 8 pages.

* cited by examiner

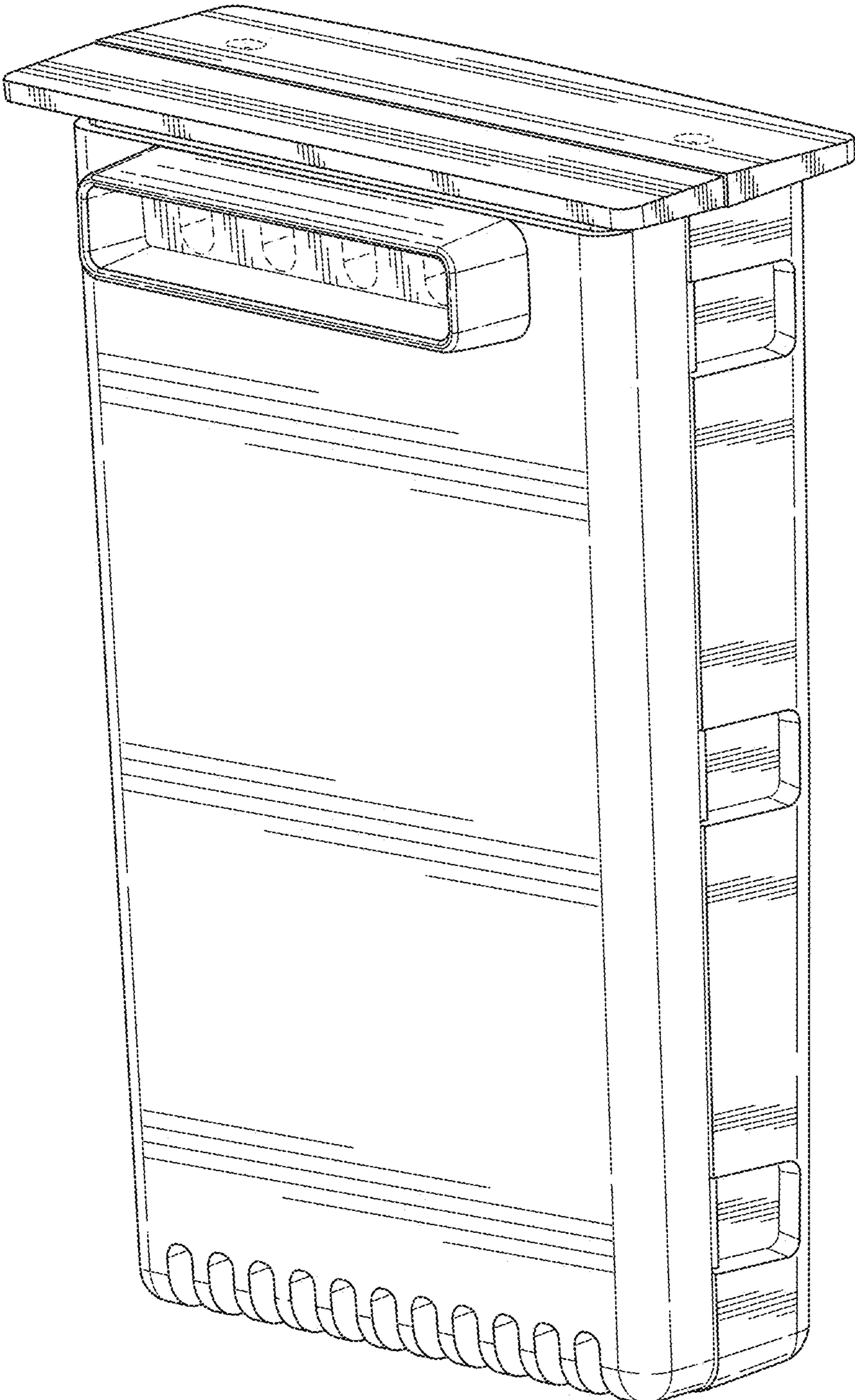


FIG. 1

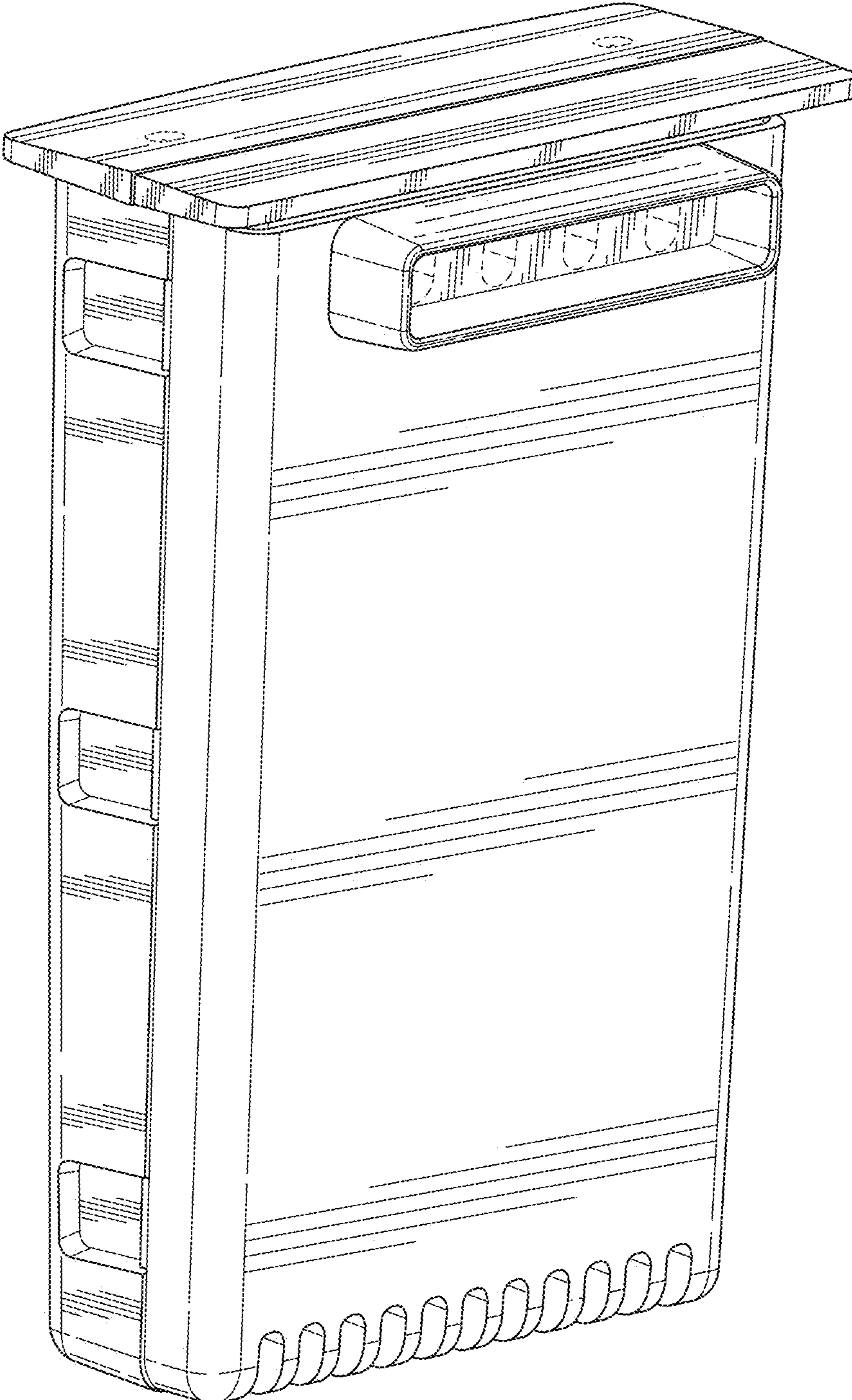


FIG. 2

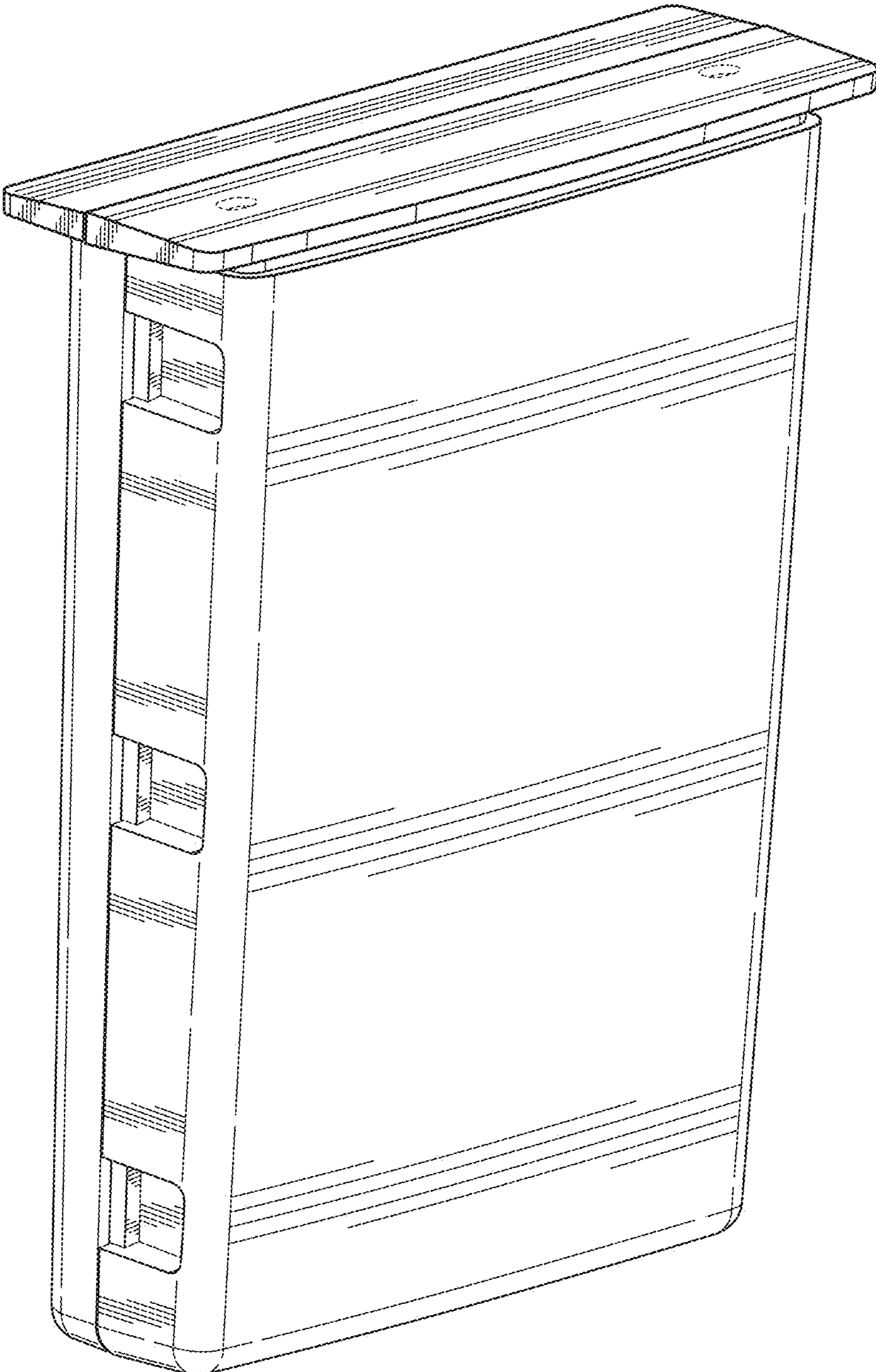


FIG. 3

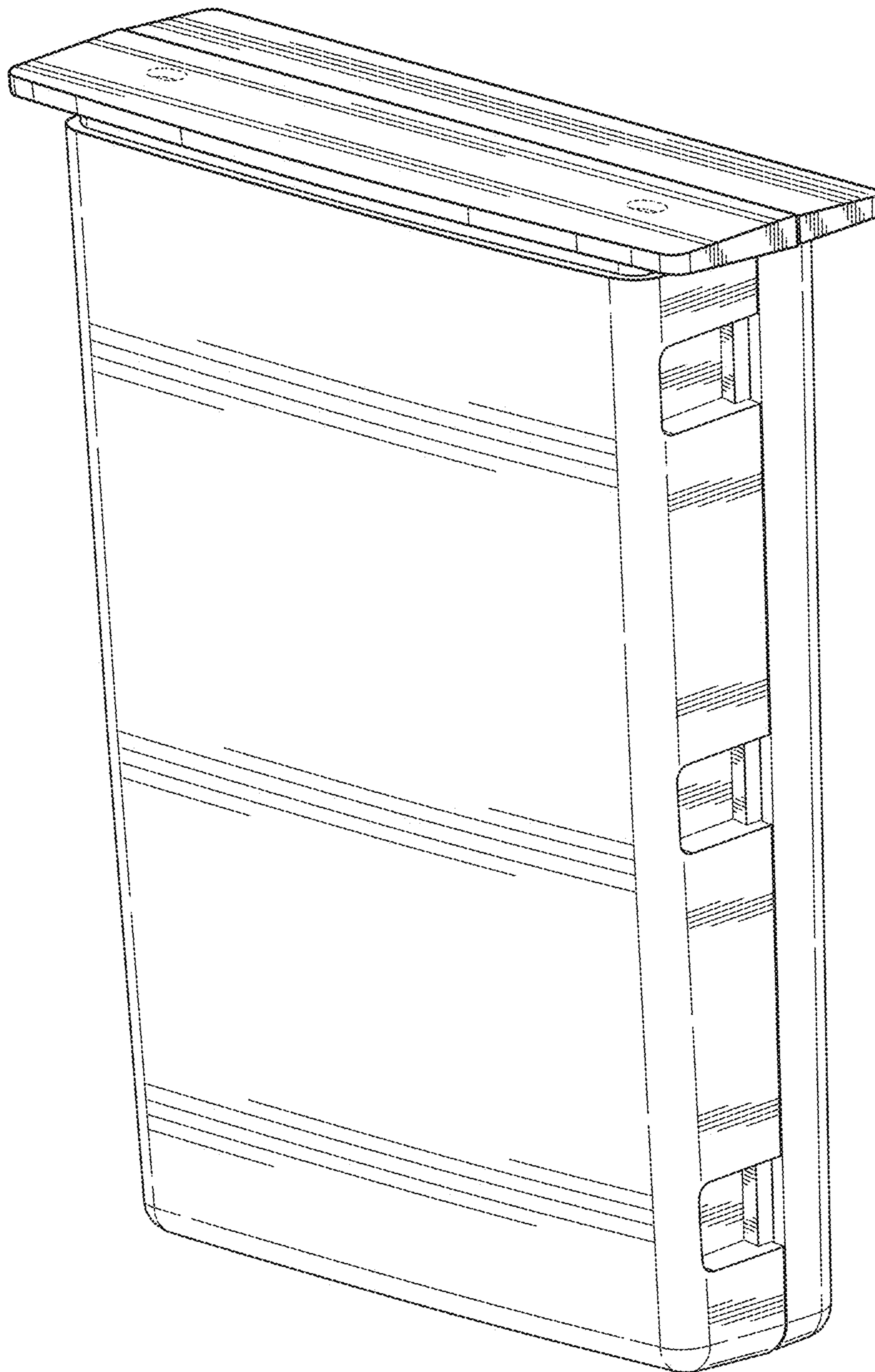


FIG. 4

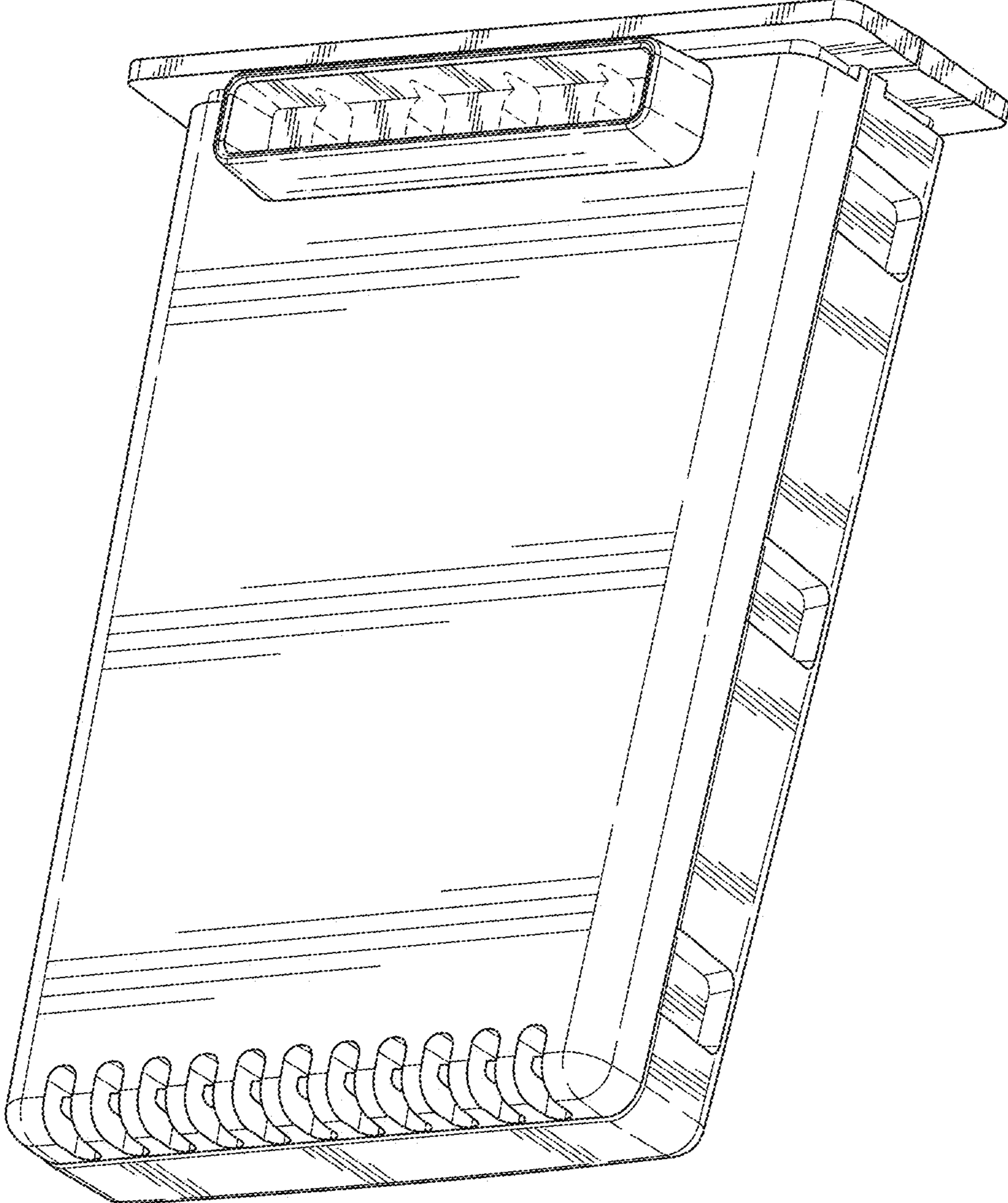


FIG. 5

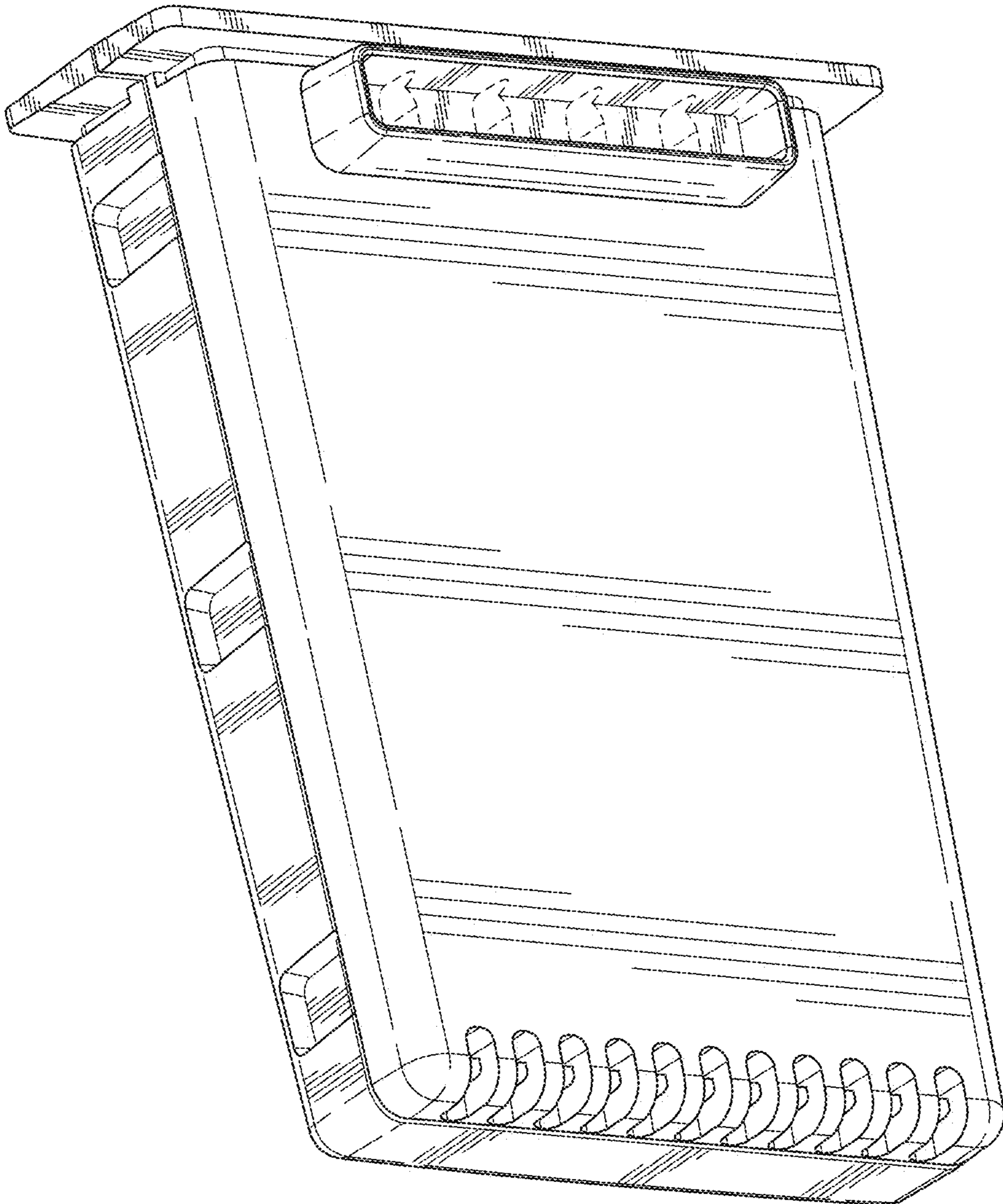


FIG. 6

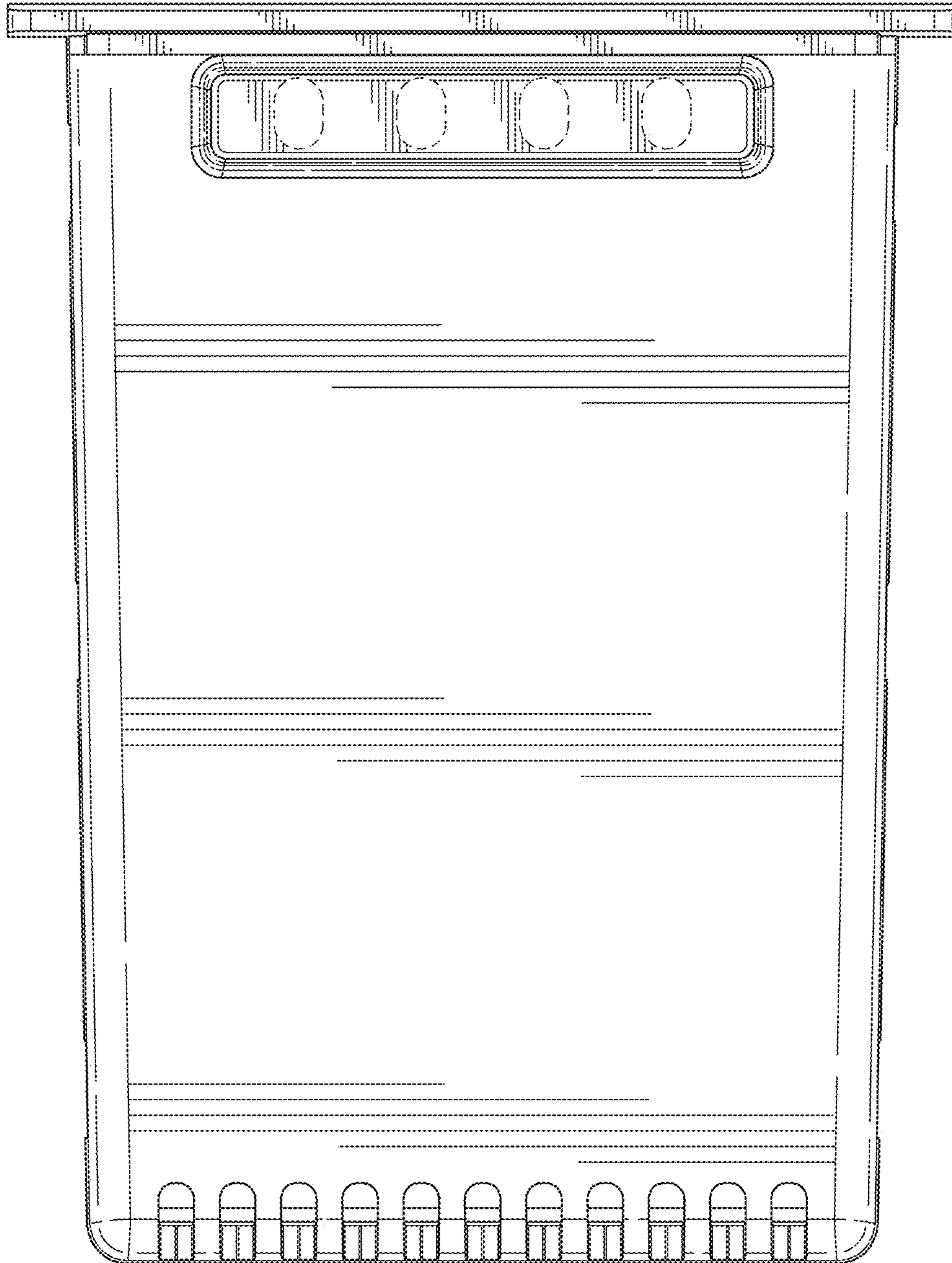


FIG. 7

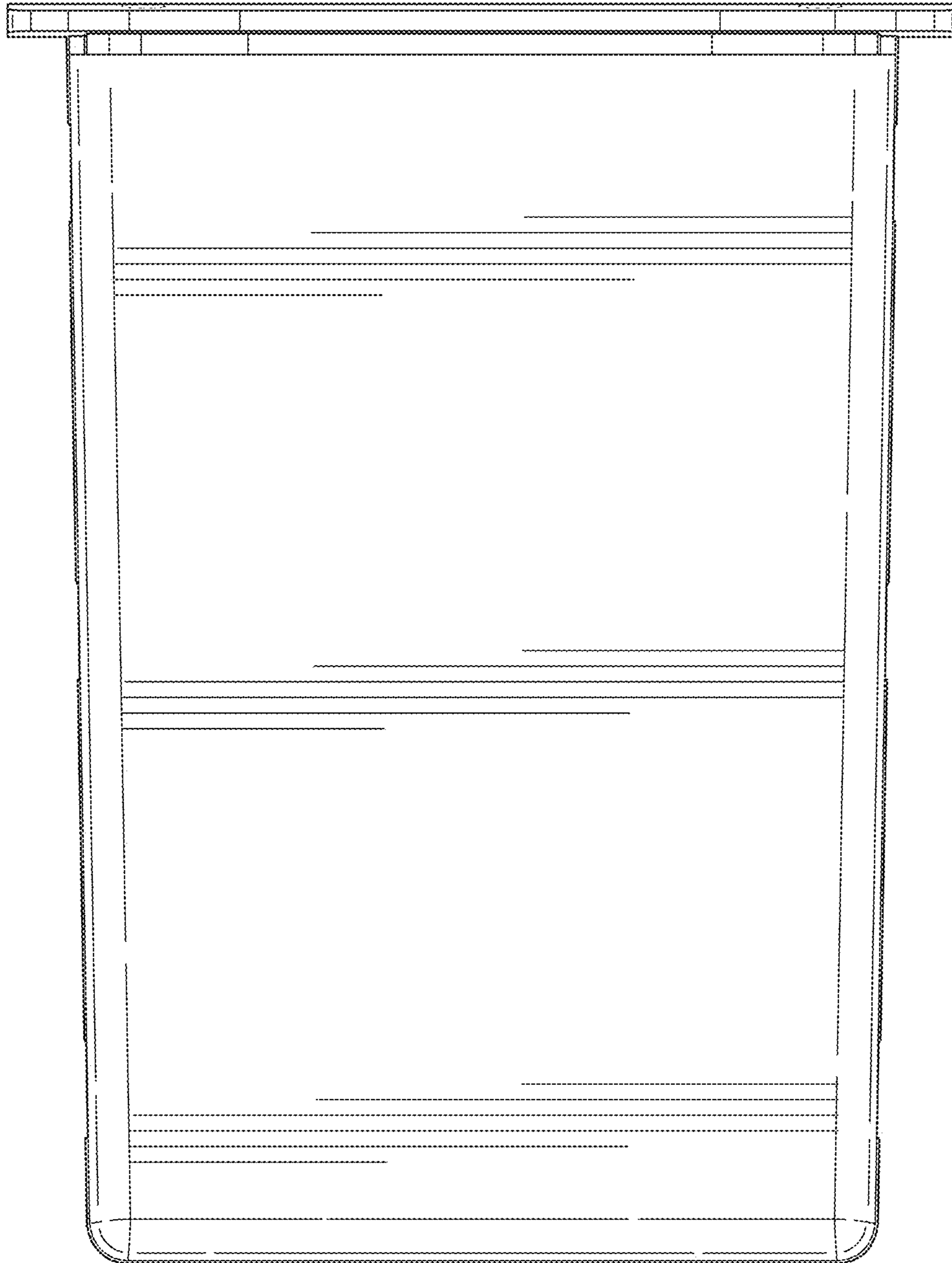


FIG. 8

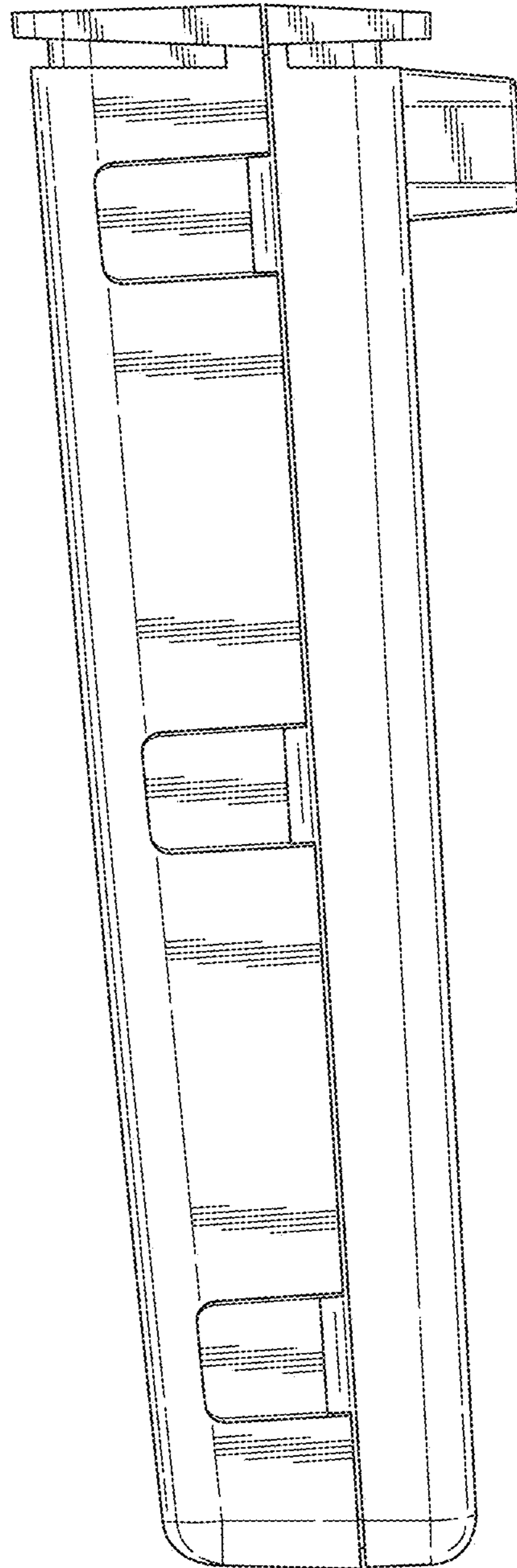


FIG. 9

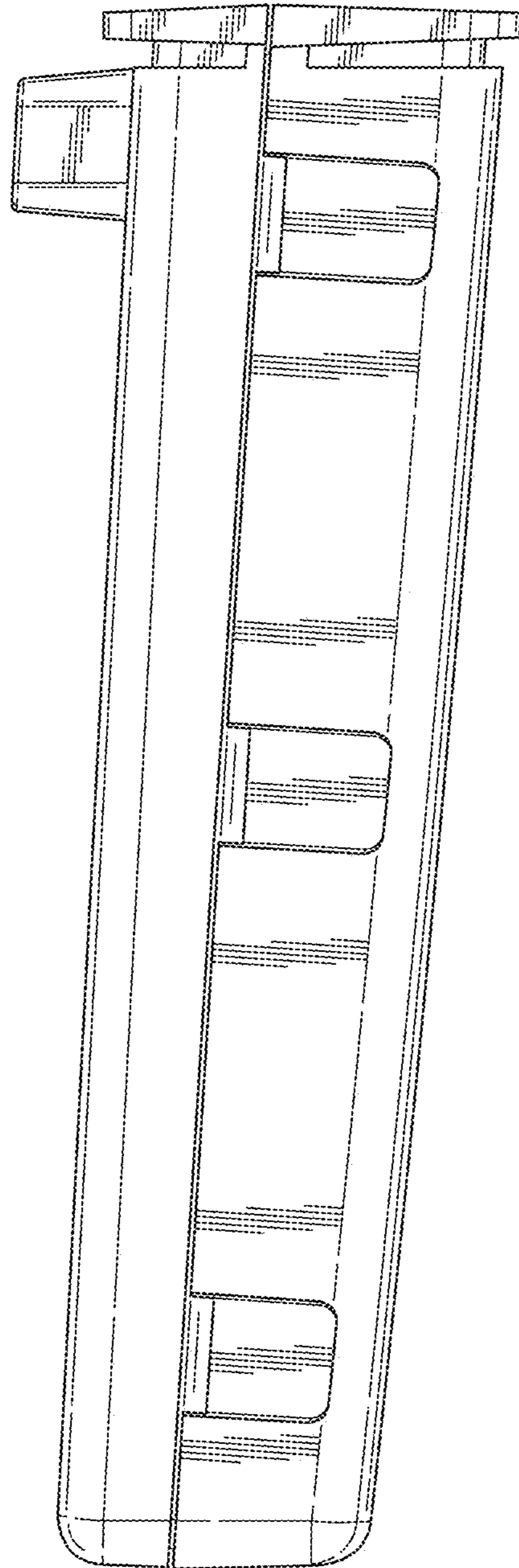


FIG. 10

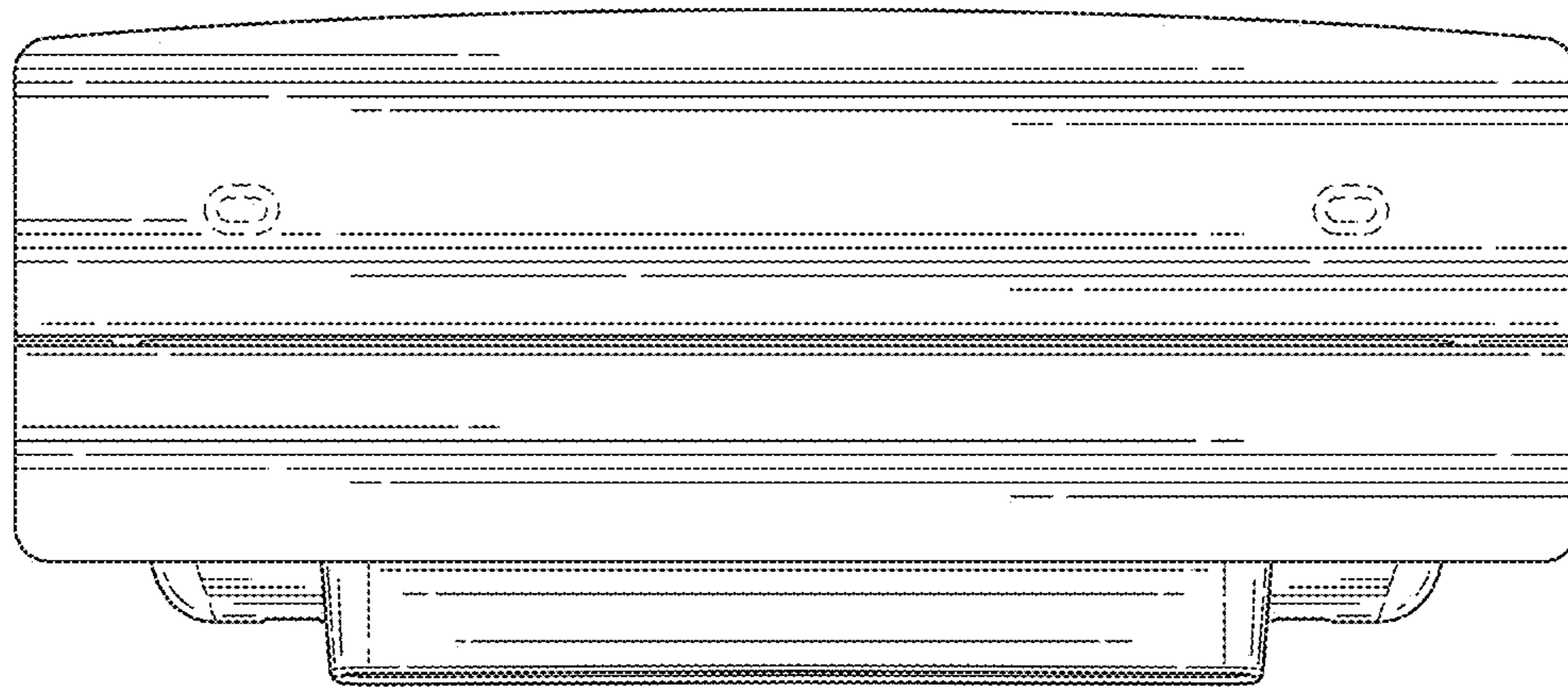


FIG. 11

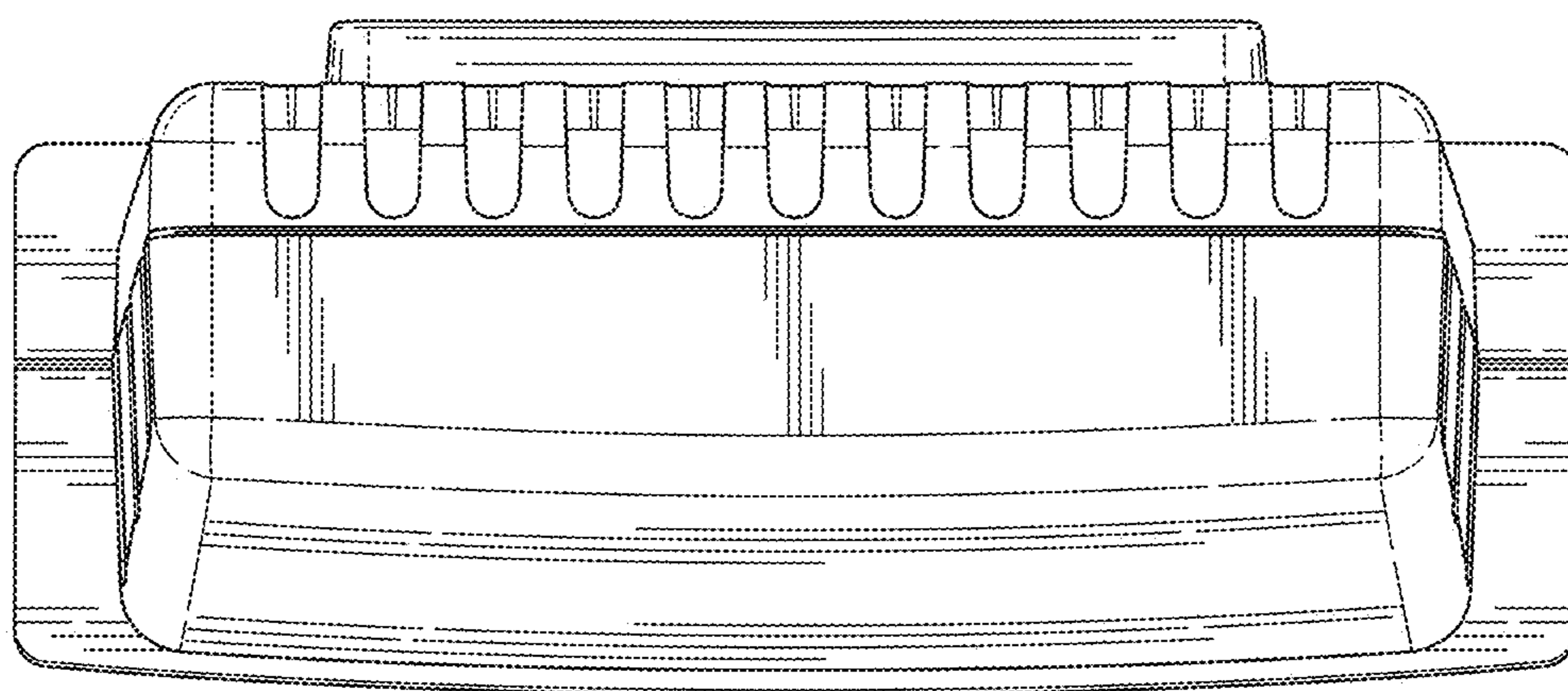


FIG. 12