



US00D941472S

(12) **United States Design Patent** (10) **Patent No.:** **US D941,472 S**
Gantes (45) **Date of Patent:** **** Jan. 18, 2022**

(54) **SELF DRILLING IMPLANT**

(71) Applicant: **Bernard Gantes**, Huntington Beach, CA (US)

(72) Inventor: **Bernard Gantes**, Huntington Beach, CA (US)

(**) Term: **15 Years**

(21) Appl. No.: **29/746,788**

(22) Filed: **Aug. 17, 2020**

(51) **LOC (13) Cl.** **24-03**

(52) **U.S. Cl.**
USPC **D24/156**

(58) **Field of Classification Search**
USPC D24/156
CPC A61C 13/225; A61C 8/00; A61C 8/0089;
A61C 8/0069; A61C 8/0054; A61C
8/0096; A61C 8/0039; A61C 8/0063;
A61C 8/006; A61C 8/0001; A61C
8/0012; A61C 8/0075; A61C 8/0083
See application file for complete search history.

(56) **References Cited**

U.S. PATENT DOCUMENTS

- 5,195,892 A * 3/1993 Gersberg A61C 8/0022
433/173
D588,700 S * 3/2009 Anitua Aldecoa D24/156

- D603,514 S * 11/2009 Emanuelli D24/156
D666,295 S * 8/2012 Hung D24/156
D717,434 S * 11/2014 Park D24/156
D717,435 S * 11/2014 Park D24/156
D717,436 S * 11/2014 Park D24/156
D721,809 S * 1/2015 Andersin D24/155
D765,855 S * 9/2016 Ben-Yehuda D24/156
D802,407 S * 11/2017 Foerster, Jr. D8/387

* cited by examiner

Primary Examiner — Charles D Hanson

(74) *Attorney, Agent, or Firm* — Rutan & Tucker LLP;
Hani Z. Sayed

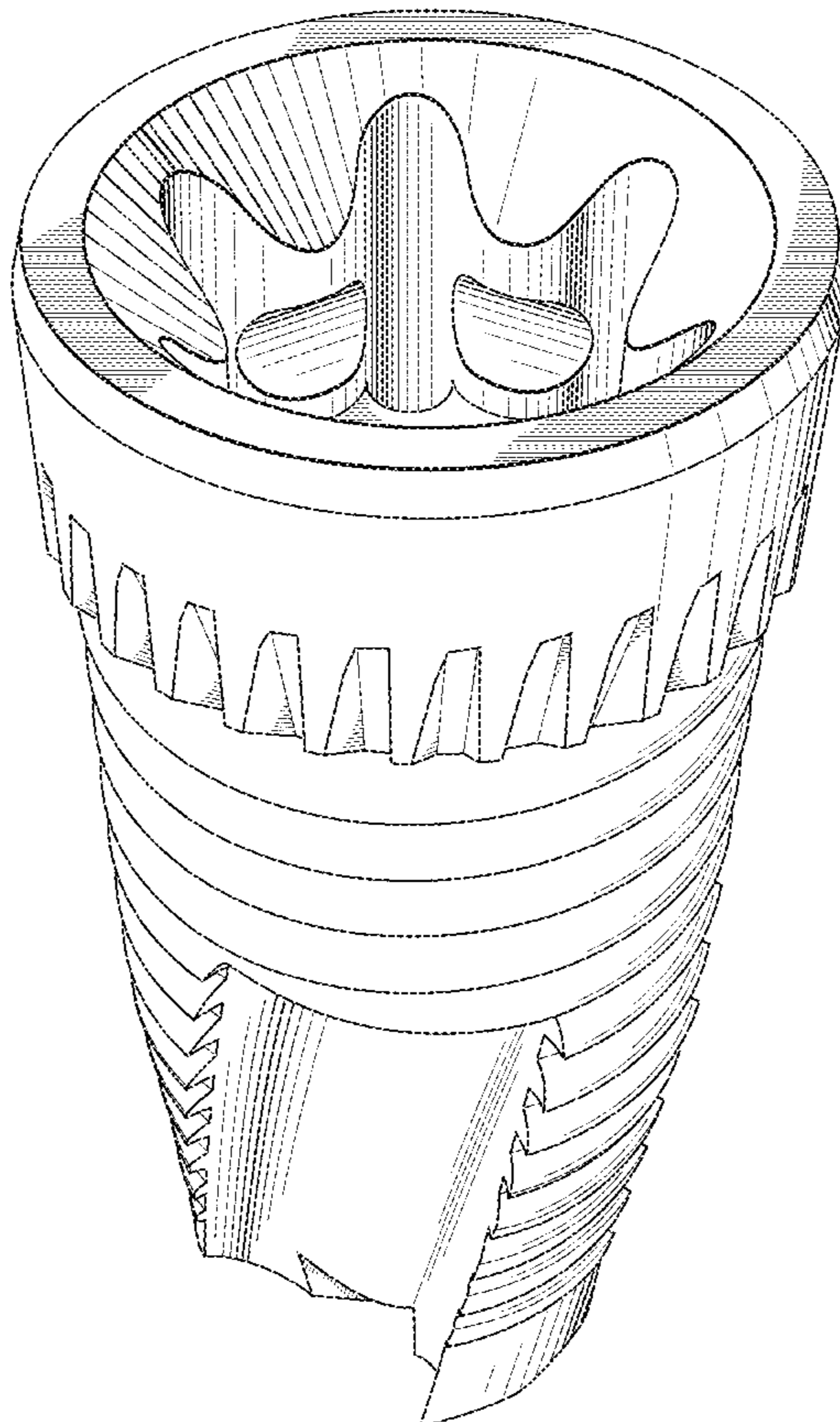
(57) **CLAIM**

The ornamental design for the self drilling implant, as shown and described.

DESCRIPTION

FIG. 1—Top, front side perspective view;
 FIG. 2—Bottom, front side perspective view;
 FIG. 3—Left side perspective view;
 FIG. 4—Front side perspective view; and,
 FIG. 5—Top, rear side perspective view.
 The indicia shown in broken lines in the drawings forms no part of the claimed design.

1 Claim, 5 Drawing Sheets



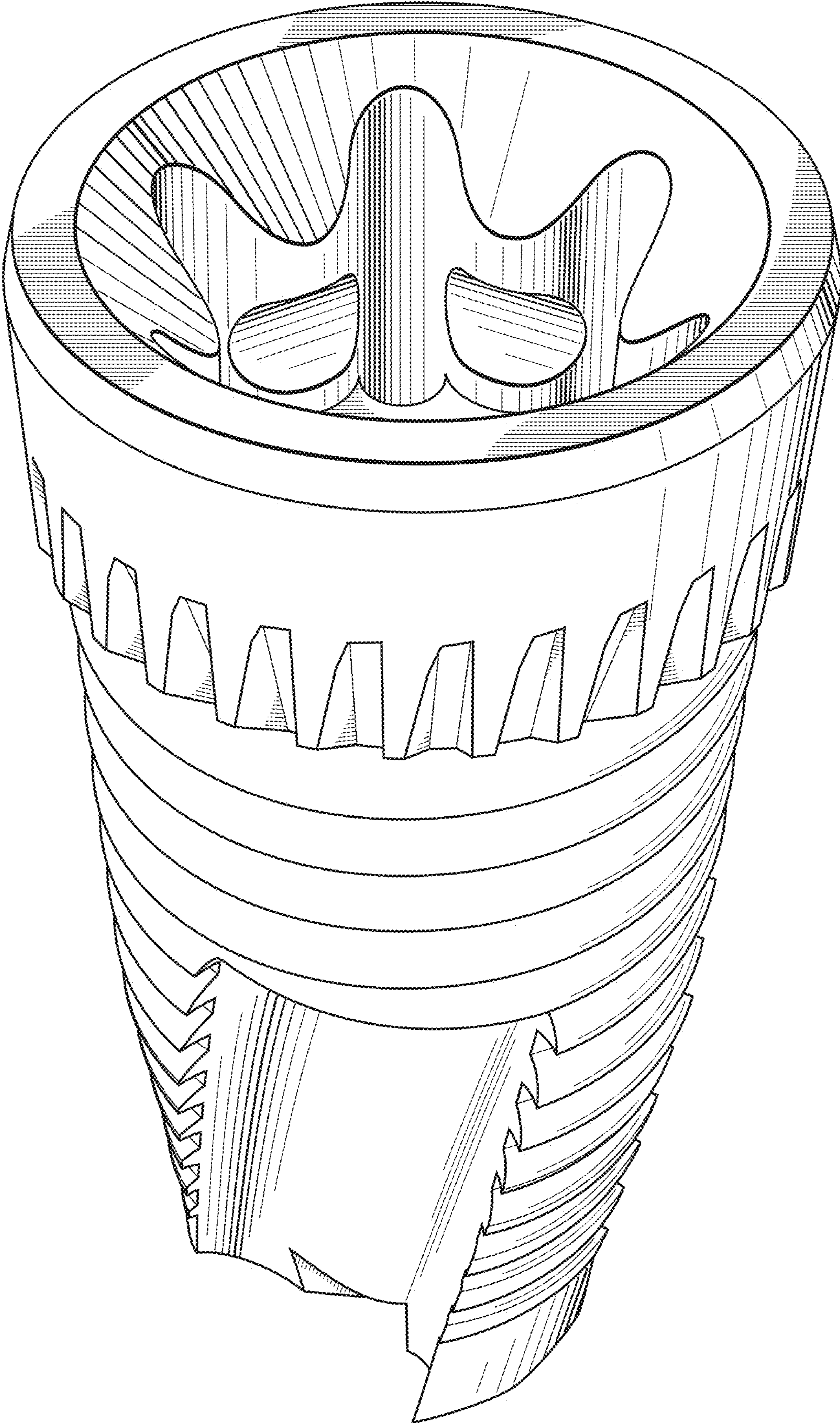


FIG. 1

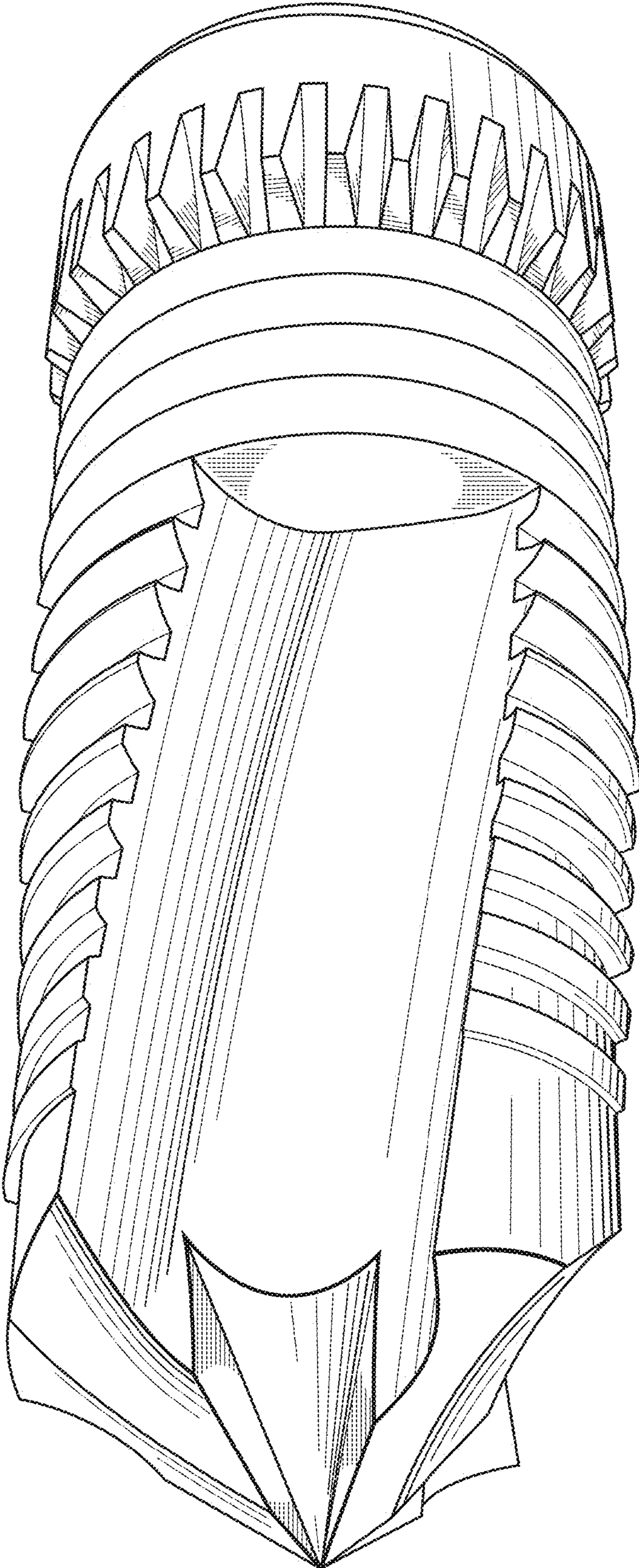


FIG. 2

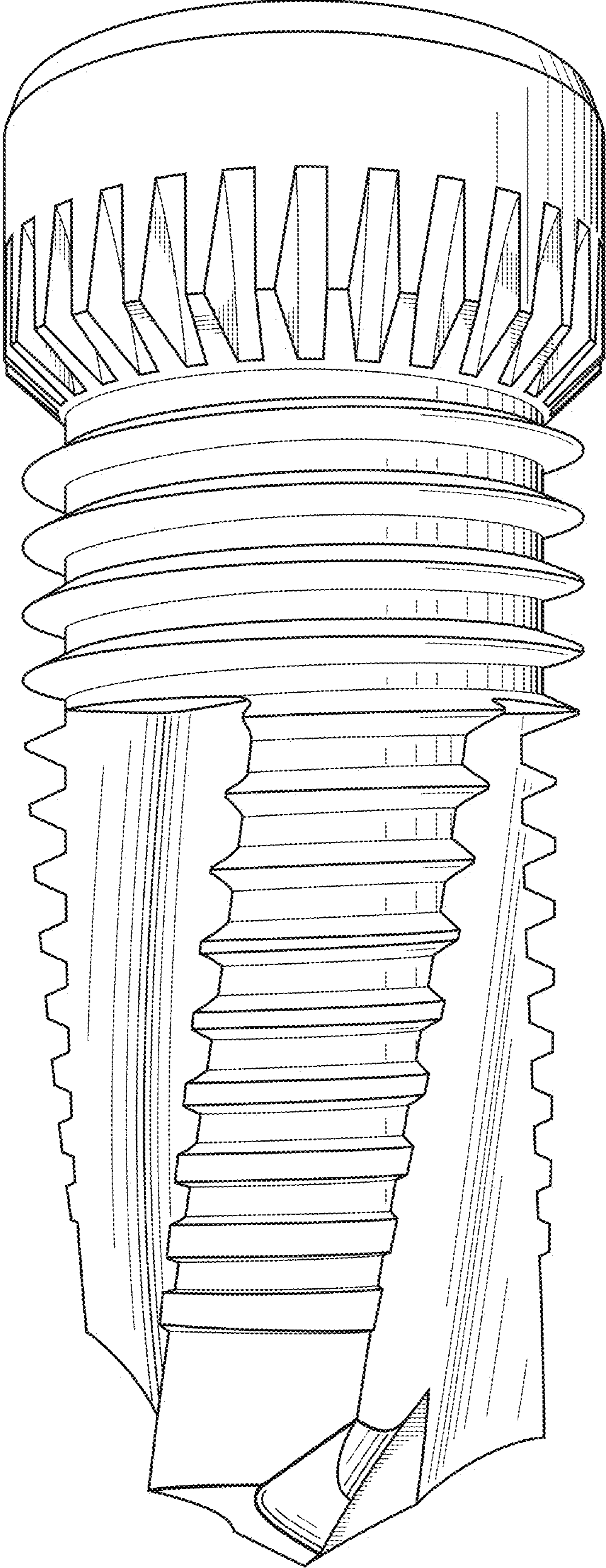


FIG. 3

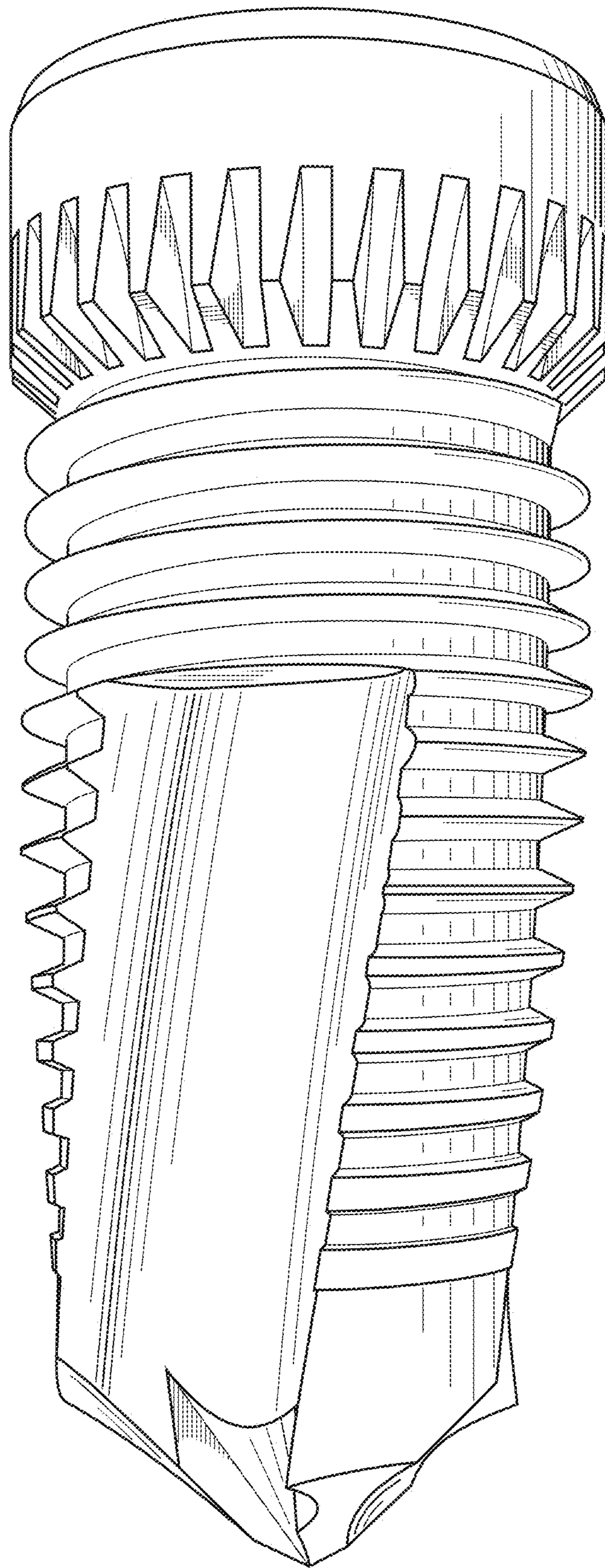


FIG. 4

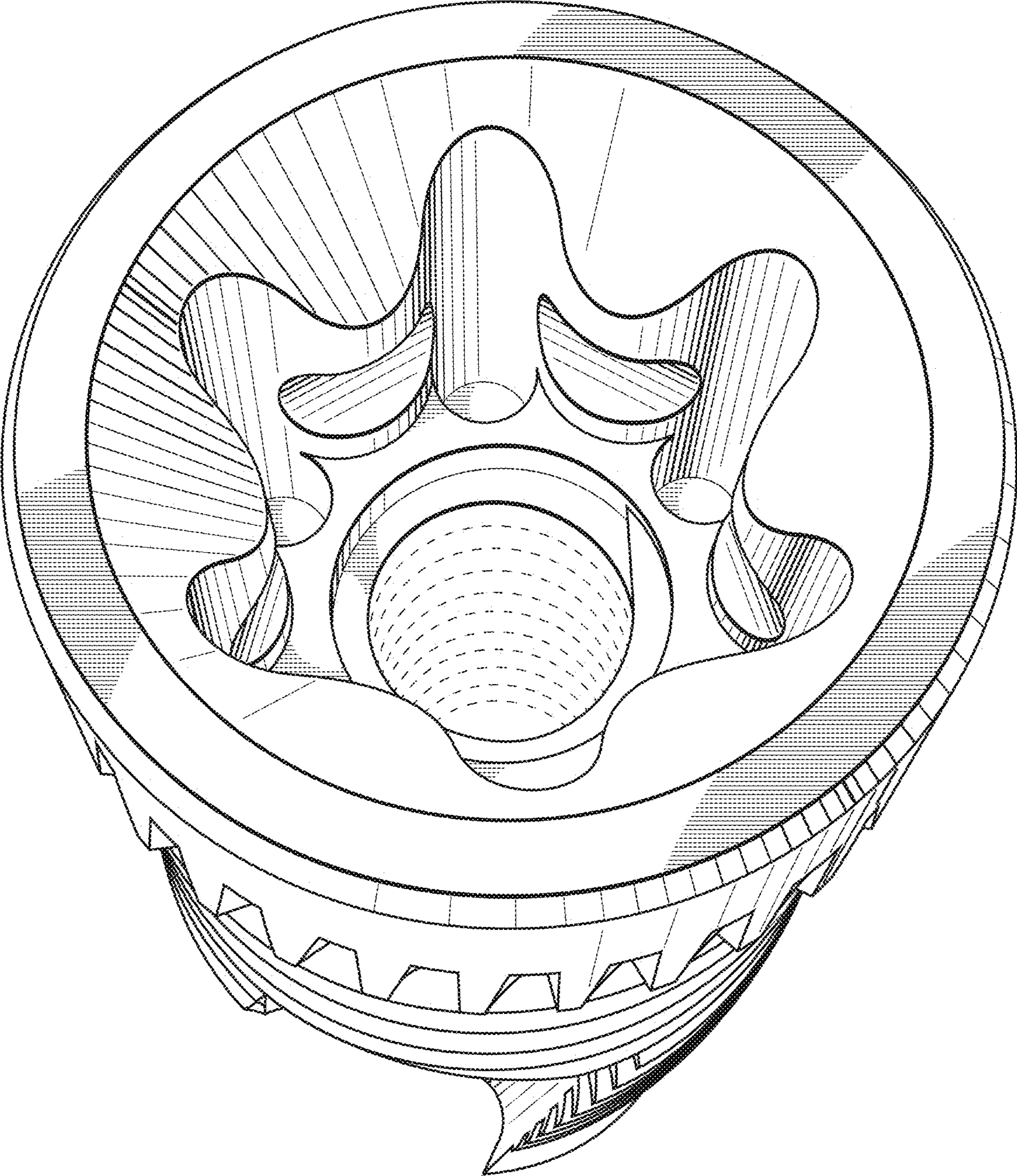


FIG. 5