



US00D941469S

(12) **United States Design Patent**
Pitsillides et al.

(10) **Patent No.:** **US D941,469 S**

(45) **Date of Patent:** **** Jan. 18, 2022**

(54) **SHAPED SUTURE RETENTION PAD**

(71) Applicant: **Transonic Systems Inc.**, Ithaca, NY
(US)

(72) Inventors: **Kyriacos Pitsillides**, Davis, CA (US);
Philip Chadwick Hodgson, Ingersoll
(CA); **Geoffrey Kim Wood**, London
(CA); **Peter David Plouf**, London
(CA); **Kyle Gary Fricke**, Ilderton
(CA); **Morteza Heydari Araghi**,
London (CA)

(73) Assignee: **Transonic Systems Inc.**, Ithaca, NY
(US)

(**) Term: **15 Years**

(21) Appl. No.: **29/662,438**

(22) Filed: **Sep. 5, 2018**

(51) **LOC (13) Cl.** **24-02**

(52) **U.S. Cl.**
USPC **D24/145**

(58) **Field of Classification Search**
USPC D8/354; D24/127, 128, 133, 140, 145,
D24/155
CPC A61B 17/0401; A61B 17/0487; A61B
2017/0404
See application file for complete search history.

(56) **References Cited**

U.S. PATENT DOCUMENTS

D272,392 S *	1/1984	Bigelow	280/86.753
D360,687 S *	7/1995	Ferragamo	D24/133
5,601,576 A *	2/1997	Garrison	A61B 17/0469 606/139
D393,903 S *	4/1998	Bierman	D24/128
D542,917 S *	5/2007	Cantillo	D24/128
D602,158 S *	10/2009	Cuevas	D24/128
D630,085 S *	1/2011	Zant	D8/354

D710,997 S *	8/2014	Thon	D24/145
D780,313 S *	2/2017	DaCosta	D24/155
2012/0150203 A1 *	6/2012	Brady	A61B 17/0401 606/148
2013/0218206 A1 *	8/2013	Gadlage	A61B 17/0401 606/232

(Continued)

Primary Examiner — L. A. Grabenstetter

(74) *Attorney, Agent, or Firm* — Brian B. Shaw, Esq.;
Harter Secrest & Emery LLP

(57) **CLAIM**

We claim the ornamental design for a shaped suture retention pad, as shown and described.

DESCRIPTION

FIG. 1 is a perspective view of a shaped suture retention pad showing our new design.

FIG. 2 is an enlarged perspective view of the portion of the design of FIG. 1 within the circle labeled in FIG. 1.

FIG. 3 is a rear elevational view of the shaped suture retention pad of FIG. 1.

FIG. 4 is a front elevational view of the shaped suture retention pad of FIG. 1.

FIG. 5 is a bottom plan view of the shaped suture retention pad of FIG. 1, shown fragmented for ease of illustration.

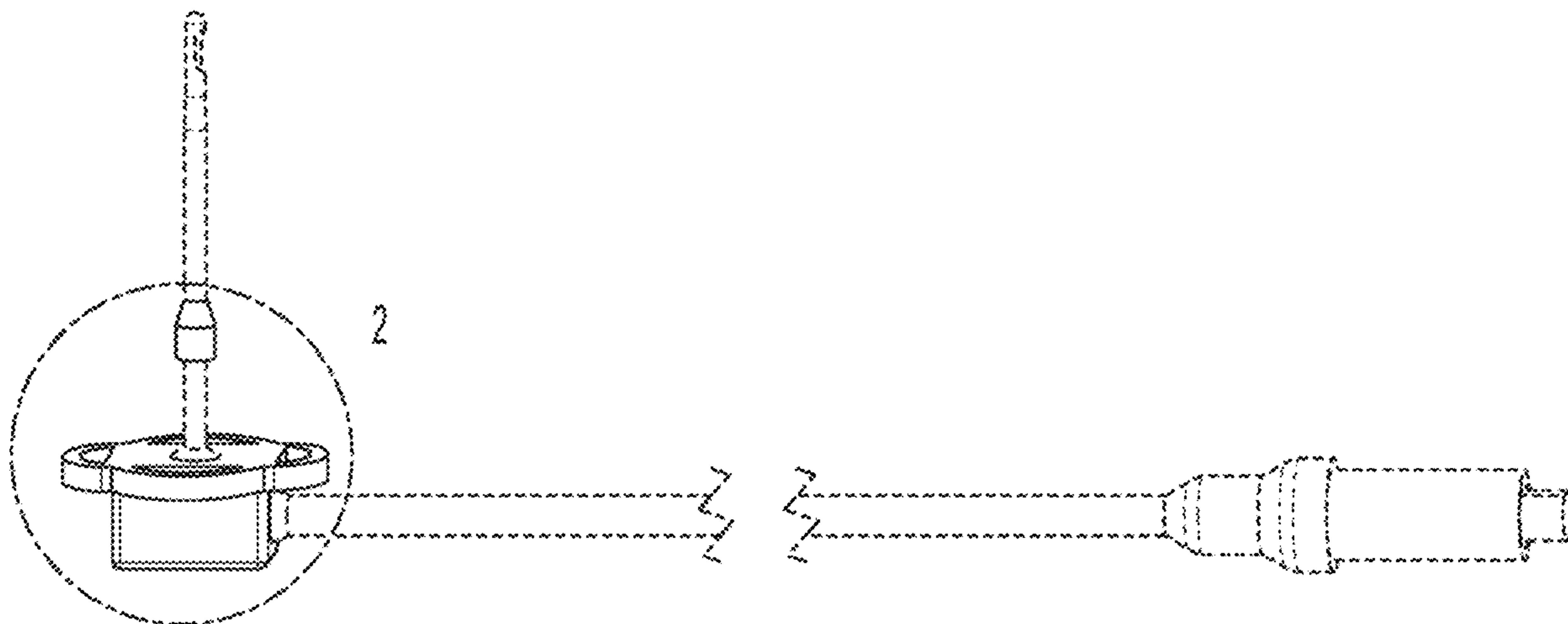
FIG. 6 is a top plan view of the shaped suture retention pad of FIG. 1; and,

FIG. 7 is a left side elevational view of the shaped suture retention pad of FIG. 1, wherein the right side elevational view is a mirror image thereof.

The broken lines of parallel zig-zag represent fragmentation of portions in broken lines. The remaining broken lines illustrate portions of the shaped suture retention pad that form no part of the claimed design.

The dot-dash broken line circle is included for the purpose of illustrating the enlarged view and forms no part of the claimed design.

1 Claim, 4 Drawing Sheets



(56)

References Cited

U.S. PATENT DOCUMENTS

2014/0163615 A1* 6/2014 Gadlage A61B 17/0487
606/232
2016/0128683 A1* 5/2016 Denham A61B 17/0401
606/232

* cited by examiner

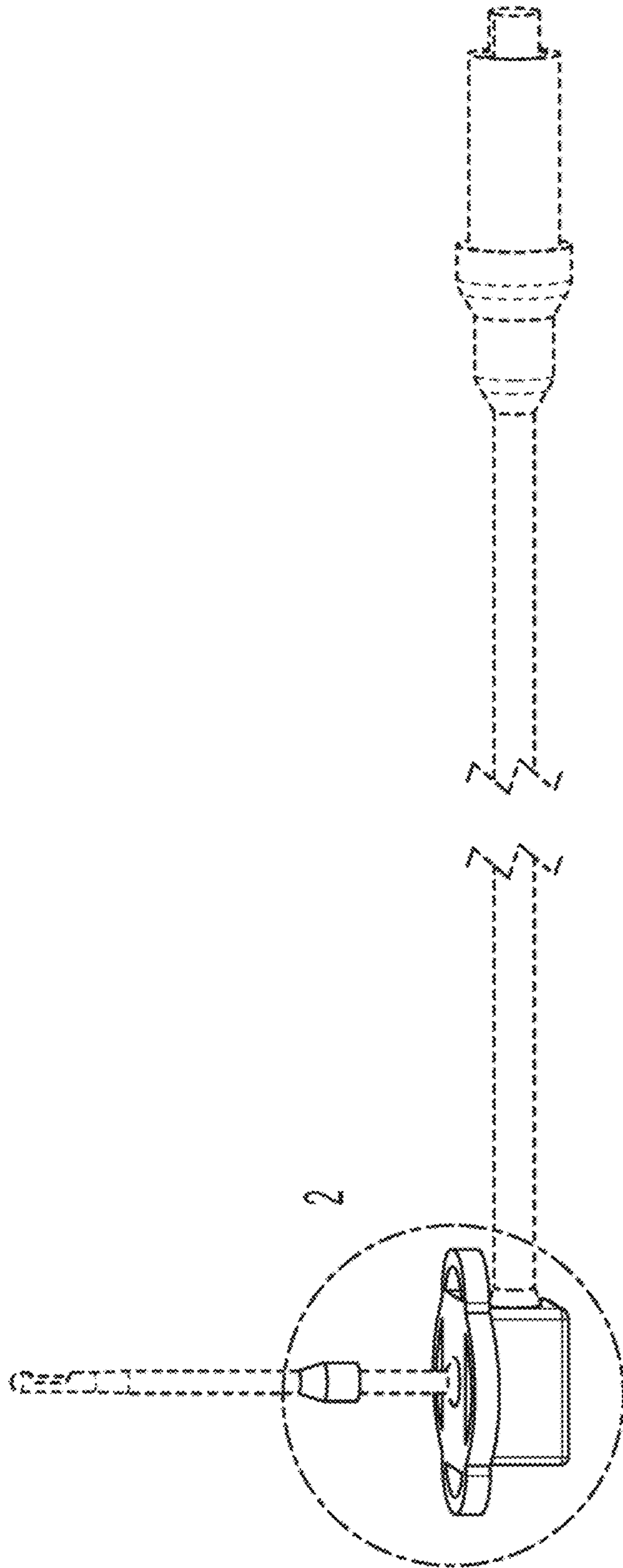


FIG. 1

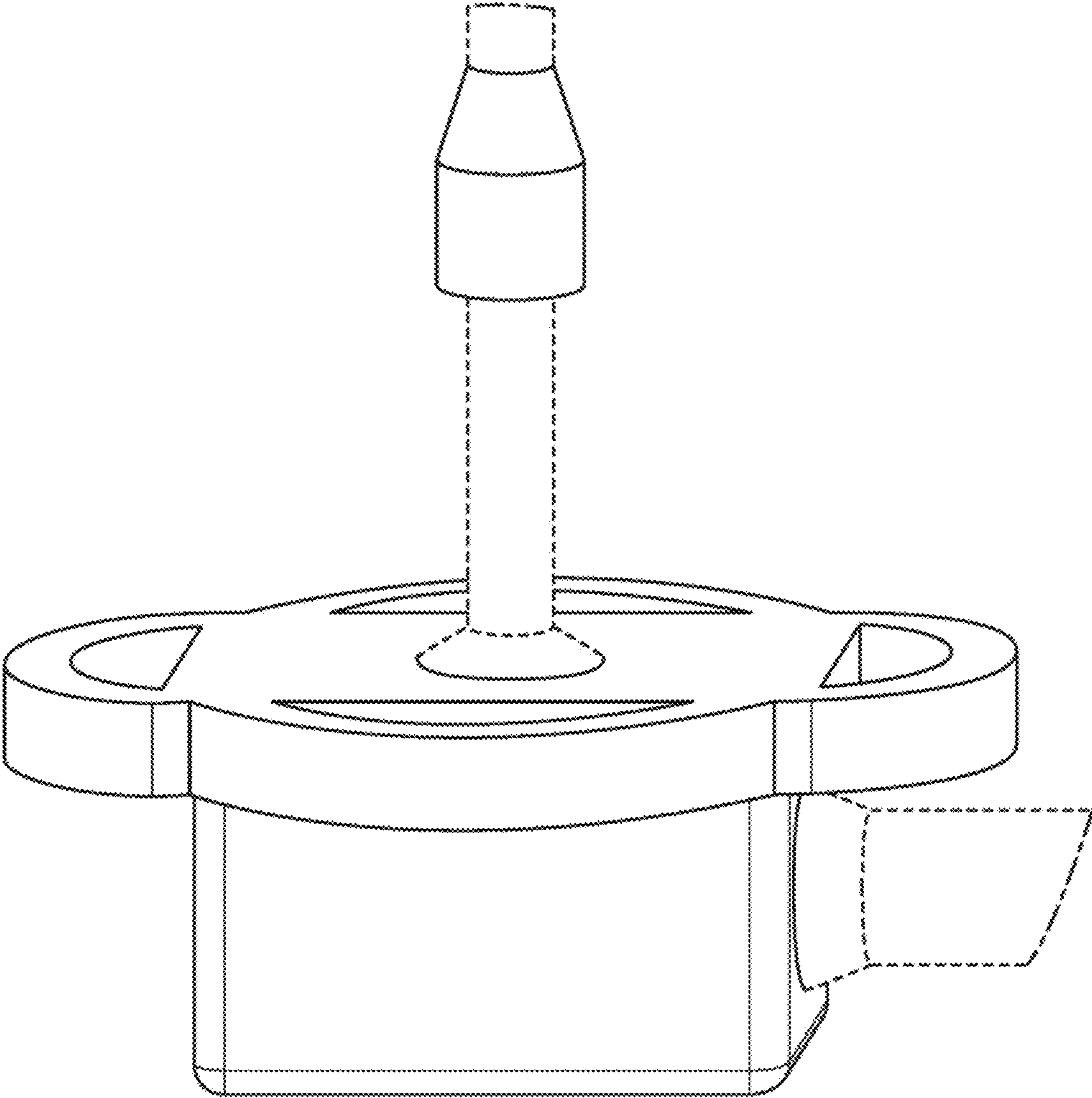


FIG. 2

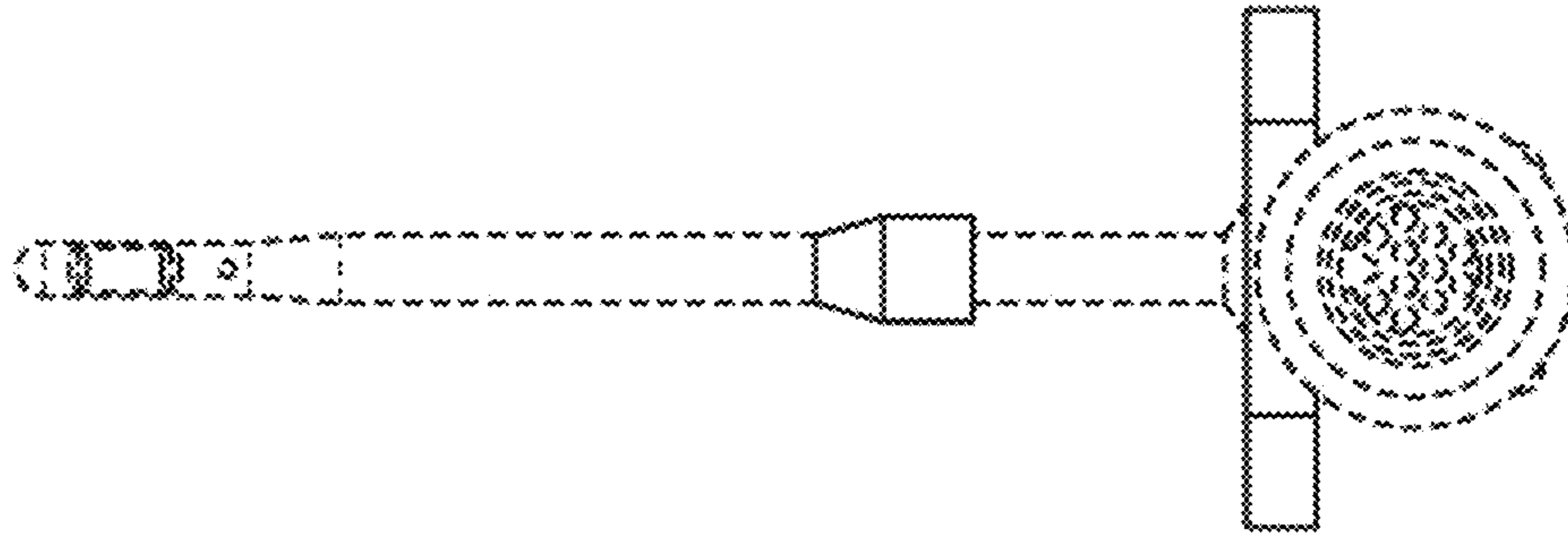


FIG. 3

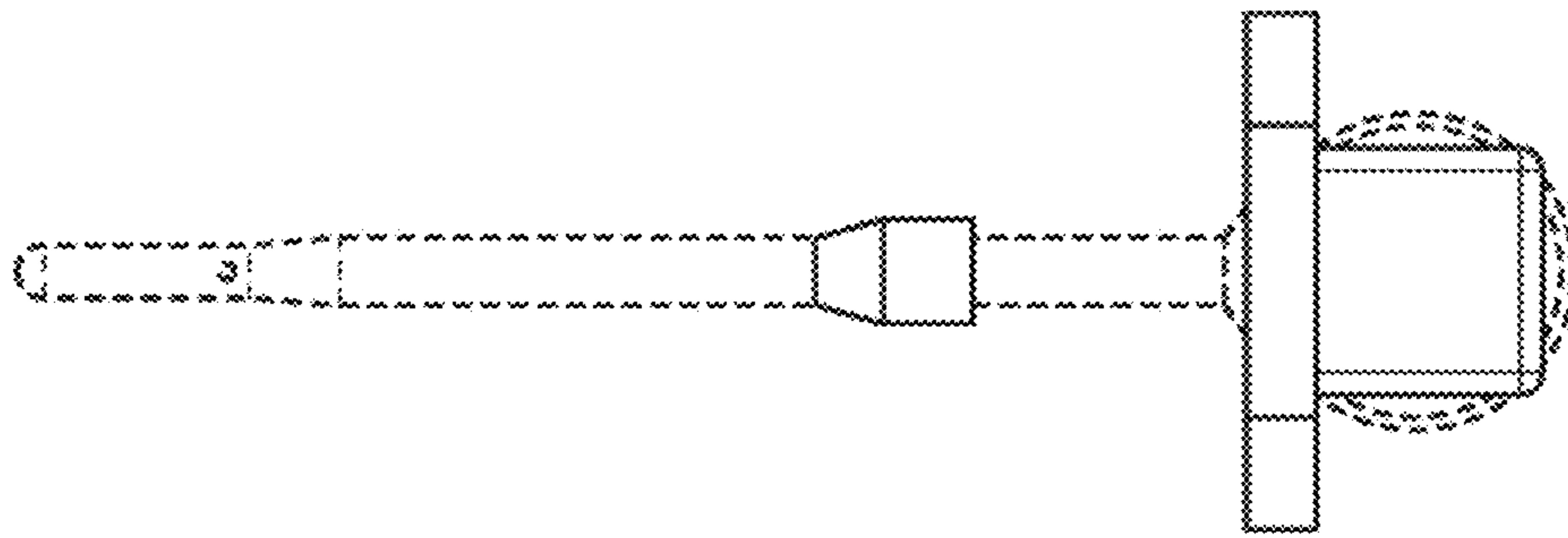


FIG. 4

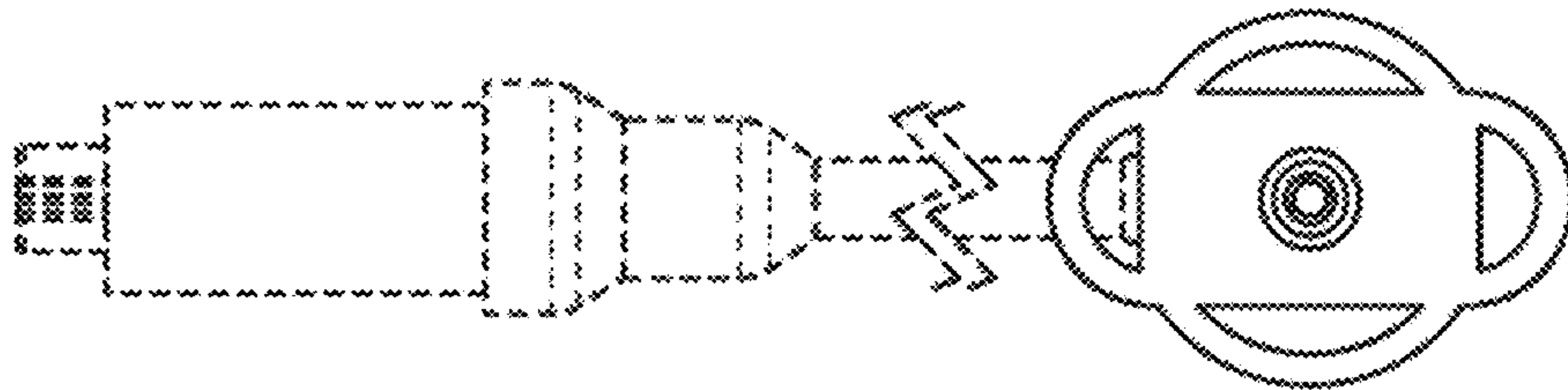


FIG. 5

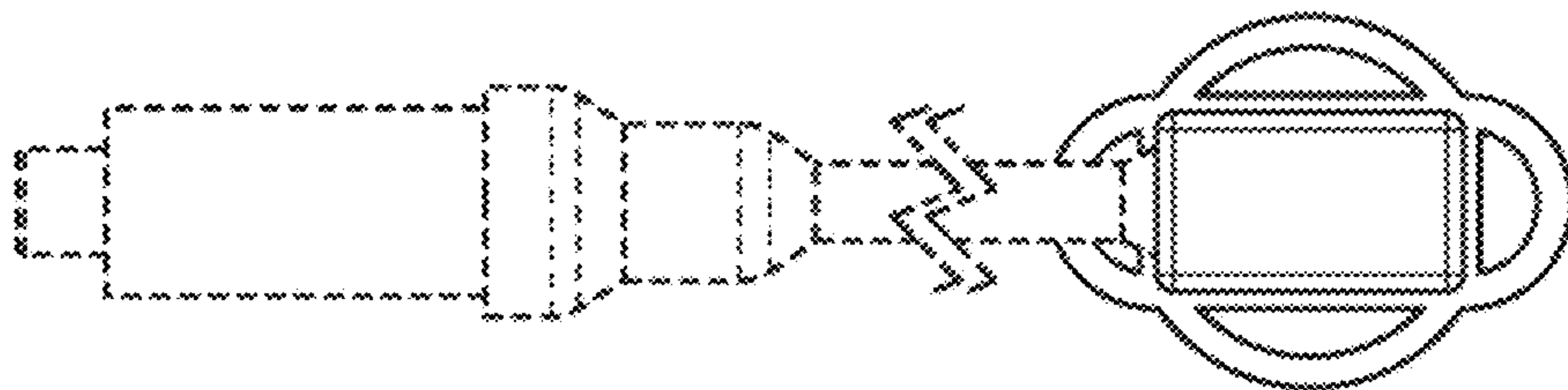


FIG. 6

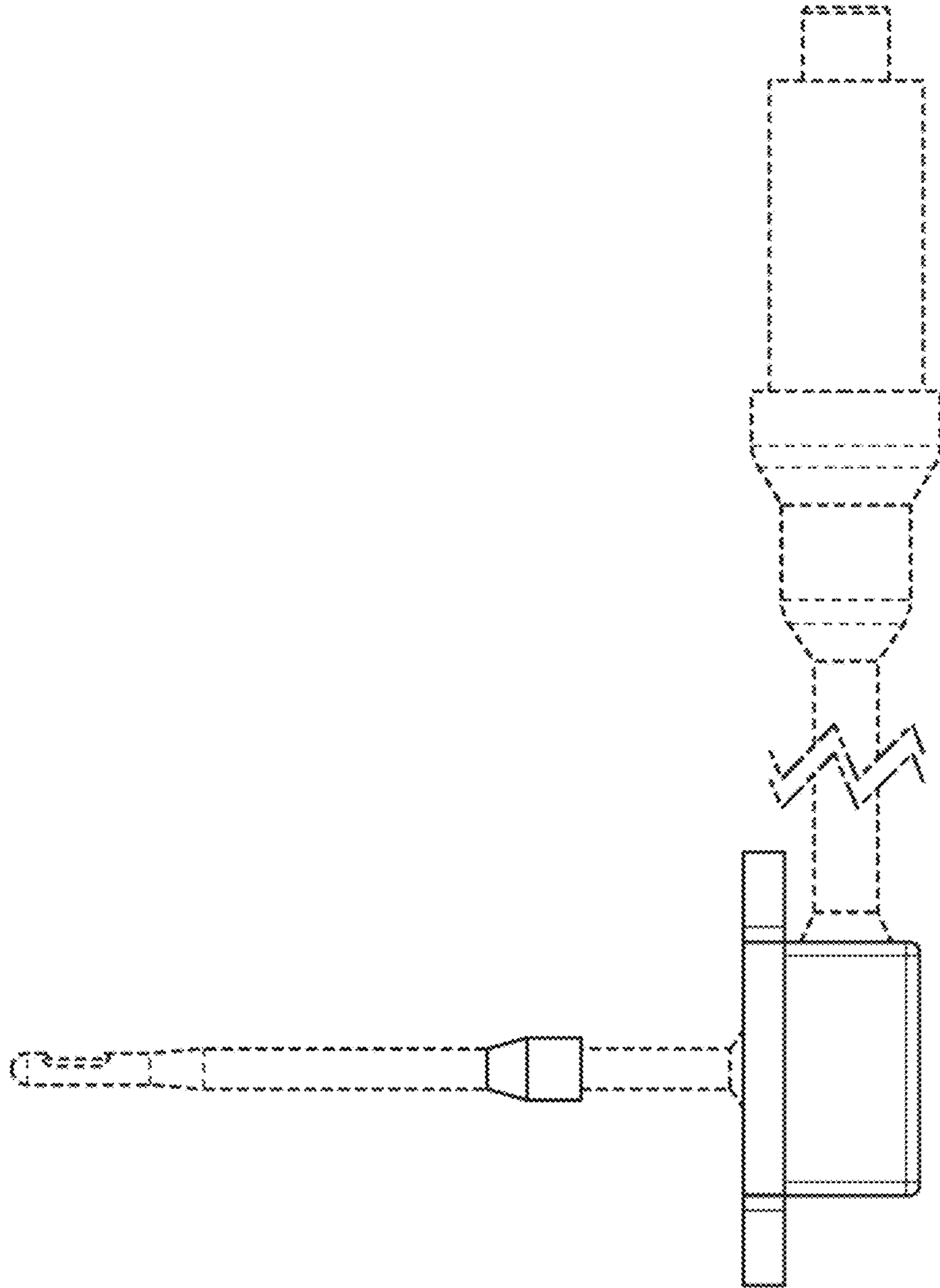


FIG. 7