



US00D941467S

(12) **United States Design Patent**  
**Kang et al.**

(10) **Patent No.:** **US D941,467 S**  
(45) **Date of Patent:** **\*\* Jan. 18, 2022**

(54) **MICRONEEDLE PEN TIP**

(71) Applicant: **JEISYS MEDICAL INC.**, Seoul (KR)

(72) Inventors: **Dong Hwan Kang**, Incheon (KR); **Hye Jin Sun**, Incheon (KR)

(73) Assignee: **JEISYS MEDICAL INC.**, Seoul (KR)

(\*\*) Term: **15 Years**

(21) Appl. No.: **29/726,679**

(22) Filed: **Mar. 5, 2020**

(51) **LOC (13) Cl.** ..... **24-02**

(52) **U.S. Cl.**

USPC ..... **D24/130**; D24/144; D24/146; D24/147

(58) **Field of Classification Search**

USPC ..... D24/130, 112, 144, 146, 147; D19/197,  
D19/200-202; D28/7

CPC ..... A61M 5/24; A61M 5/322; A61M 37/0015

See application file for complete search history.

(56) **References Cited**

**U.S. PATENT DOCUMENTS**

D389,867 S *	1/1998	Togawa	.....	D19/200
D460,551 S *	7/2002	Swenson	.....	D24/108
D548,867 S *	8/2007	Chue	.....	D19/149
D720,452 S *	12/2014	Jordan	.....	D24/130
D836,244 S *	12/2018	Floyd	.....	D28/7
10,238,812 B2 *	3/2019	Ignon	.....	A61M 5/3298
10,695,548 B1 *	6/2020	Kaspar	.....	A61M 37/0015
D903,866 S *	12/2020	Chen	.....	D24/144
D909,577 S *	2/2021	Wang	.....	D24/144
D912,809 S *	3/2021	Lee	.....	D24/130
D915,589 S *	4/2021	Wang	.....	D24/144
D919,082 S *	5/2021	He	.....	D24/112
D925,035 S *	7/2021	Zhang	.....	D24/144
2016/0082242 A1 *	3/2016	Burton	.....	A61M 5/14248 604/506
2019/0381298 A1 *	12/2019	Groop	.....	A61M 37/0015
2020/0121769 A1 *	4/2020	Chang	.....	A61K 33/04

**OTHER PUBLICATIONS**

Replacement Cartridges Use On Dr.Pen Ultima A6, by Dr. Pen, AMAZON, [Post date Sep. 20, 2019], [Site visited Aug. 24, 2021], Seen at URL: <https://amzn.to/3DdH1Kk> (Year: 2019).\*

Dr. Pen Ultima M8, Dr. Pen [Post date unknown], Site visited [Aug. 24, 2021], Seen at URL: <https://drpen-usa.com/> (Year: 2021).\*

Introduction of Ultimate RF Potenza™, Jeisy's Medical, Youtube, [Post date: Sep. 3, 2019], [Site visited Aug. 20, 2021] Seen at URL: <https://www.youtube.com/watch?v=tXg-HqRQWxo> (Year: 2019).\*

POTENZA™ Testimonial with Dr. Joonhong Park (Korea), Jeisy's Medical, Youtube [post date May 8, 2019], [Site visited Aug. 20, 2021], Seen at URL: <https://www.youtube.com/watch?v=8czPU0sUval> (Year: 2019).\*

\* cited by examiner

*Primary Examiner* — Natasha Vujcic

*Assistant Examiner* — Gilbert B Ford

(74) *Attorney, Agent, or Firm* — Revolution IP, PLLC

(57) **CLAIM**

We claim the ornamental design for a microneedle pen tip, as shown and described.

**DESCRIPTION**

FIG. 1 is a front perspective view of a microneedle pen tip showing the claimed design;

FIG. 2 is a front view thereof;

FIG. 3 is a rear view thereof;

FIG. 4 is a left side view thereof;

FIG. 5 is a right side view thereof;

FIG. 6 is a top view thereof;

FIG. 7 is a bottom view thereof;

FIG. 8 is a rear perspective view thereof; and,

FIG. 9 is a bottom perspective view thereof.

The broken lines depict portions of the microneedle pen tip that form no part of the claimed design.

**1 Claim, 9 Drawing Sheets**

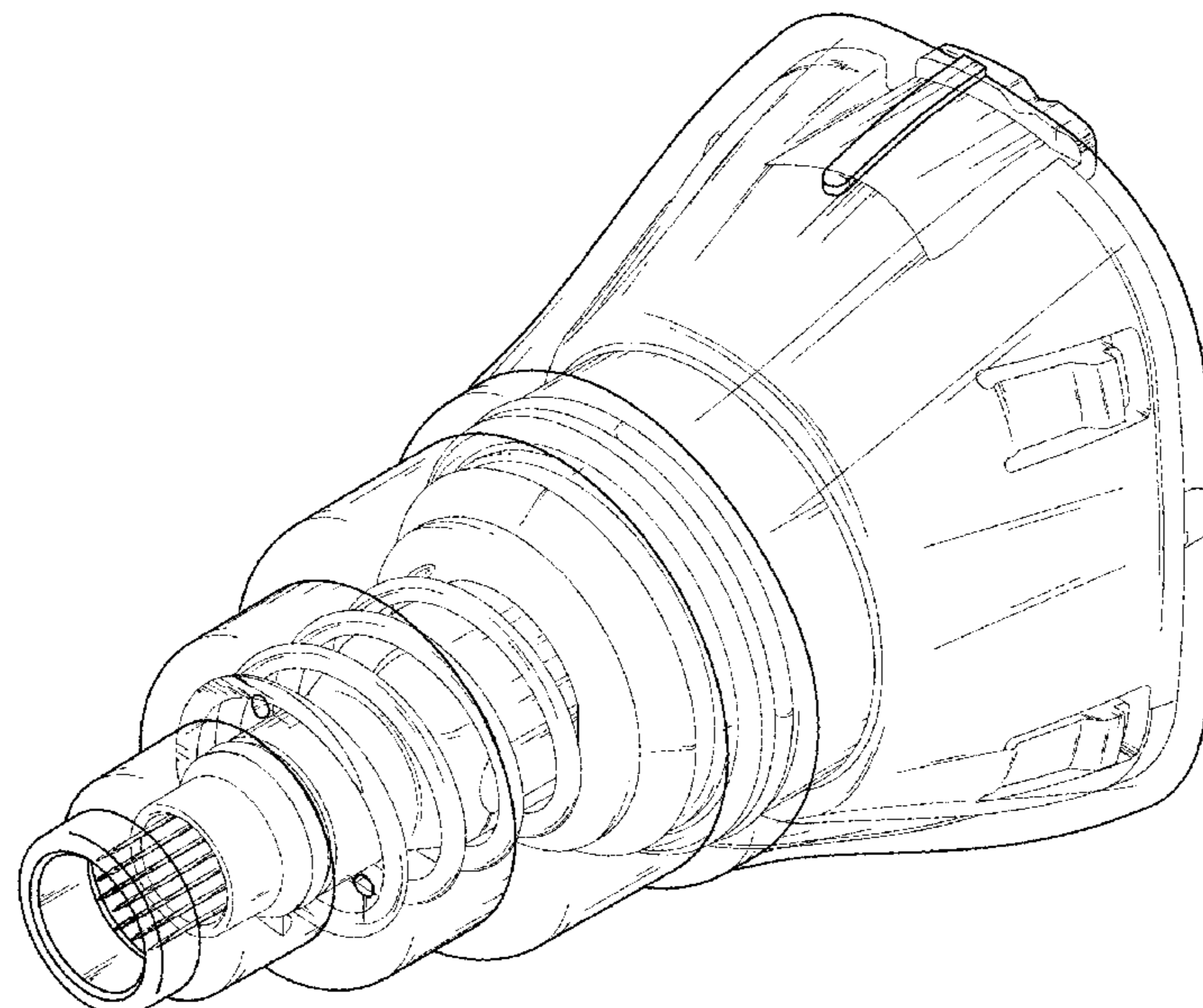


FIG. 1

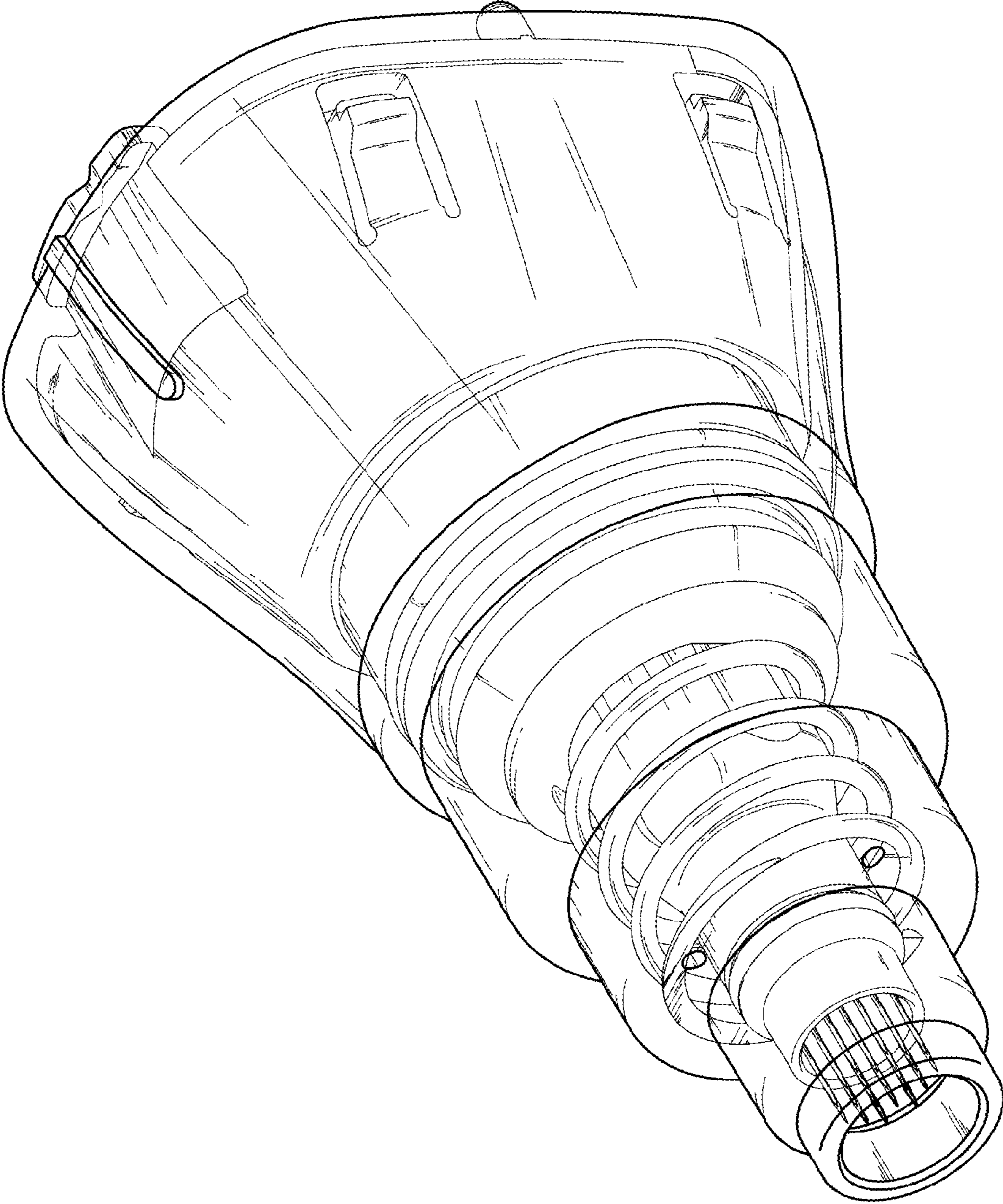


FIG. 2

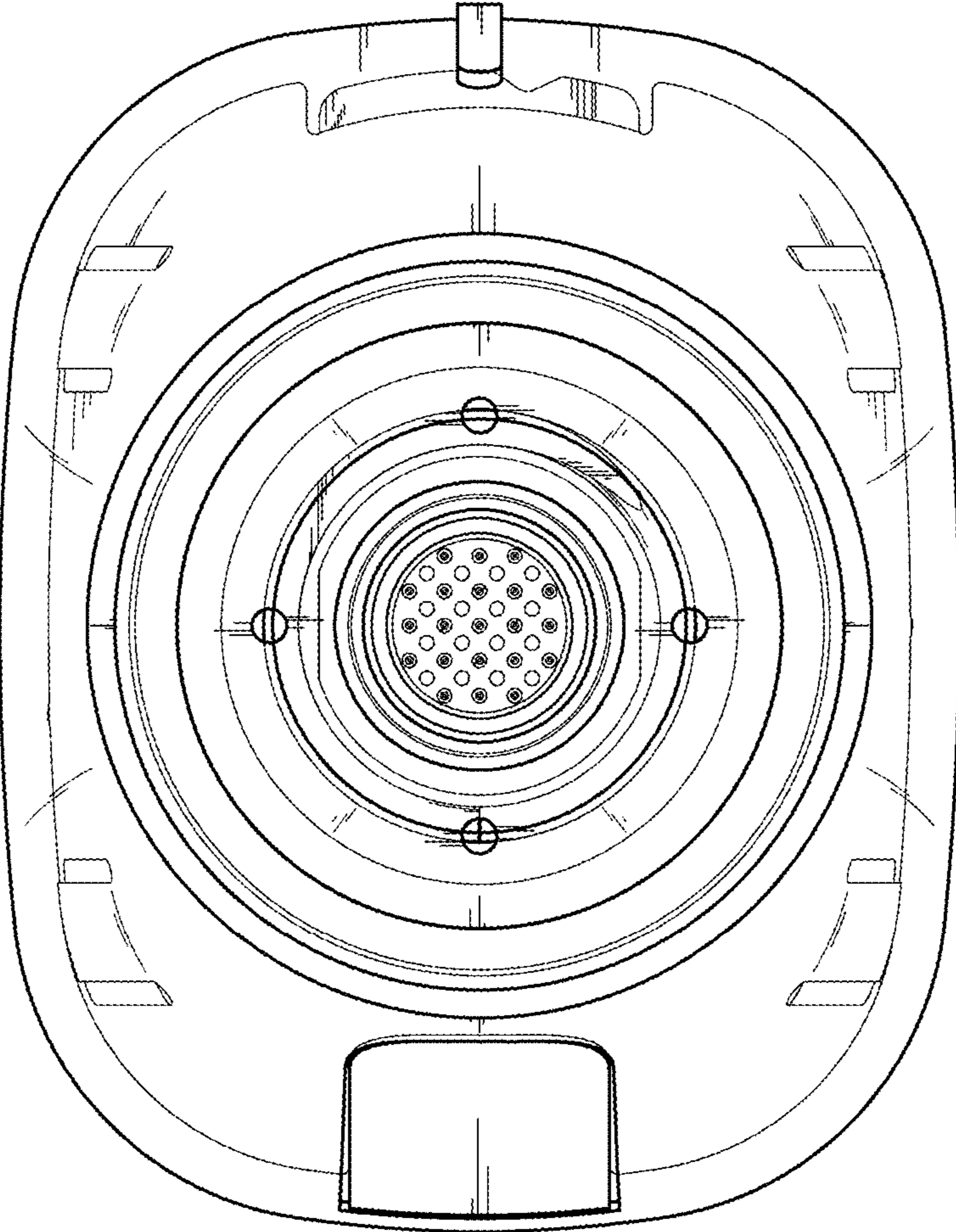


FIG. 3

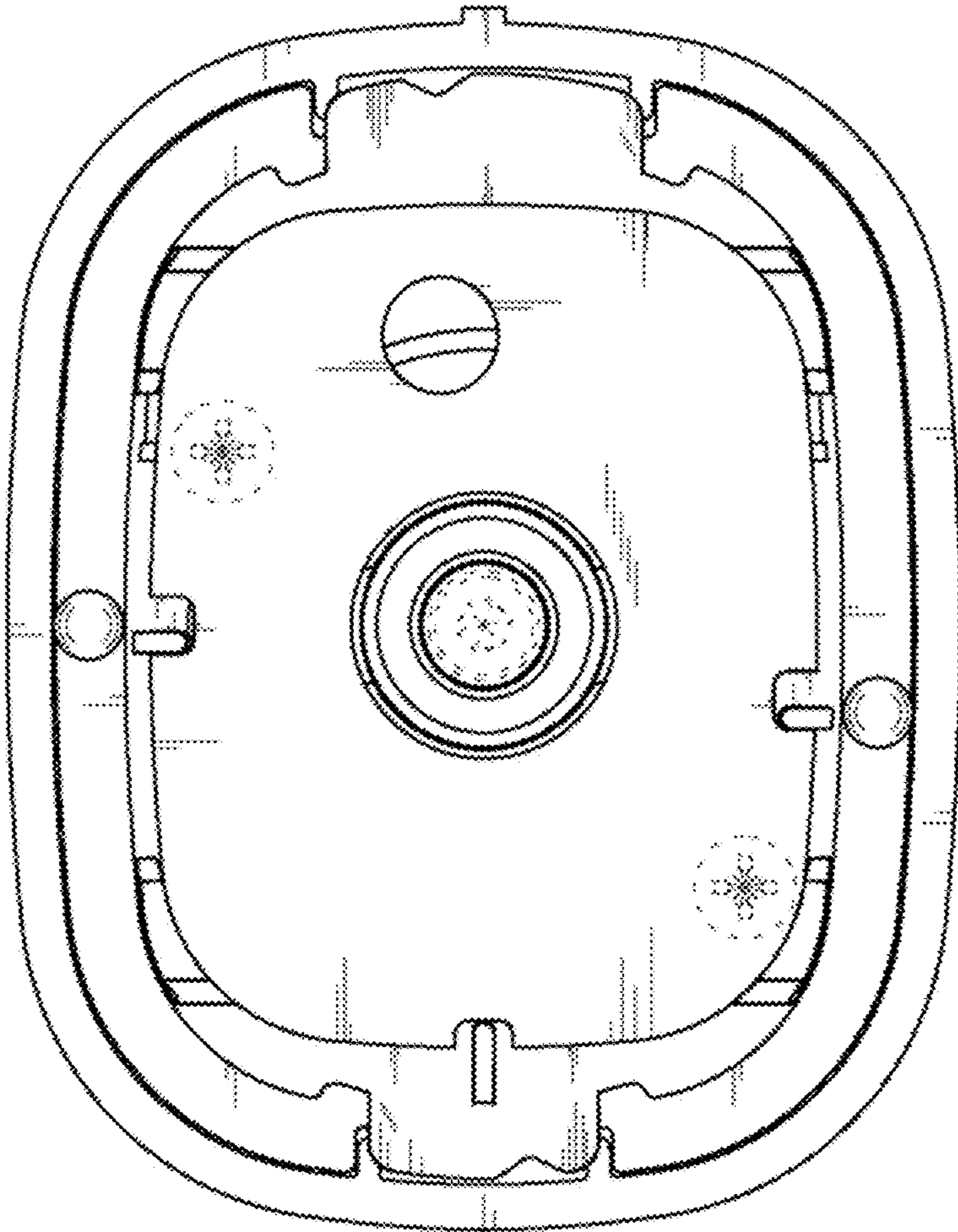


FIG. 4

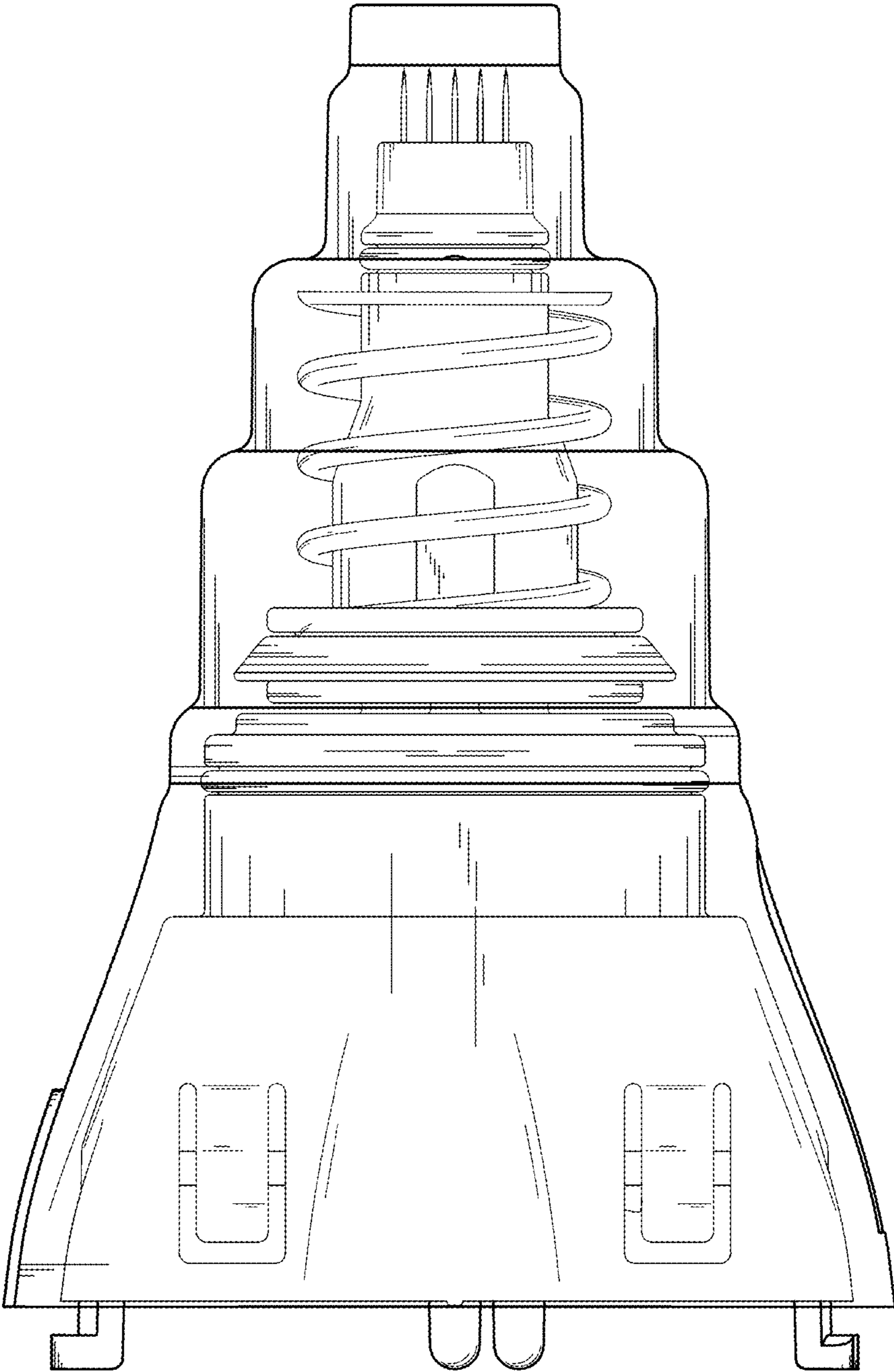


FIG. 5

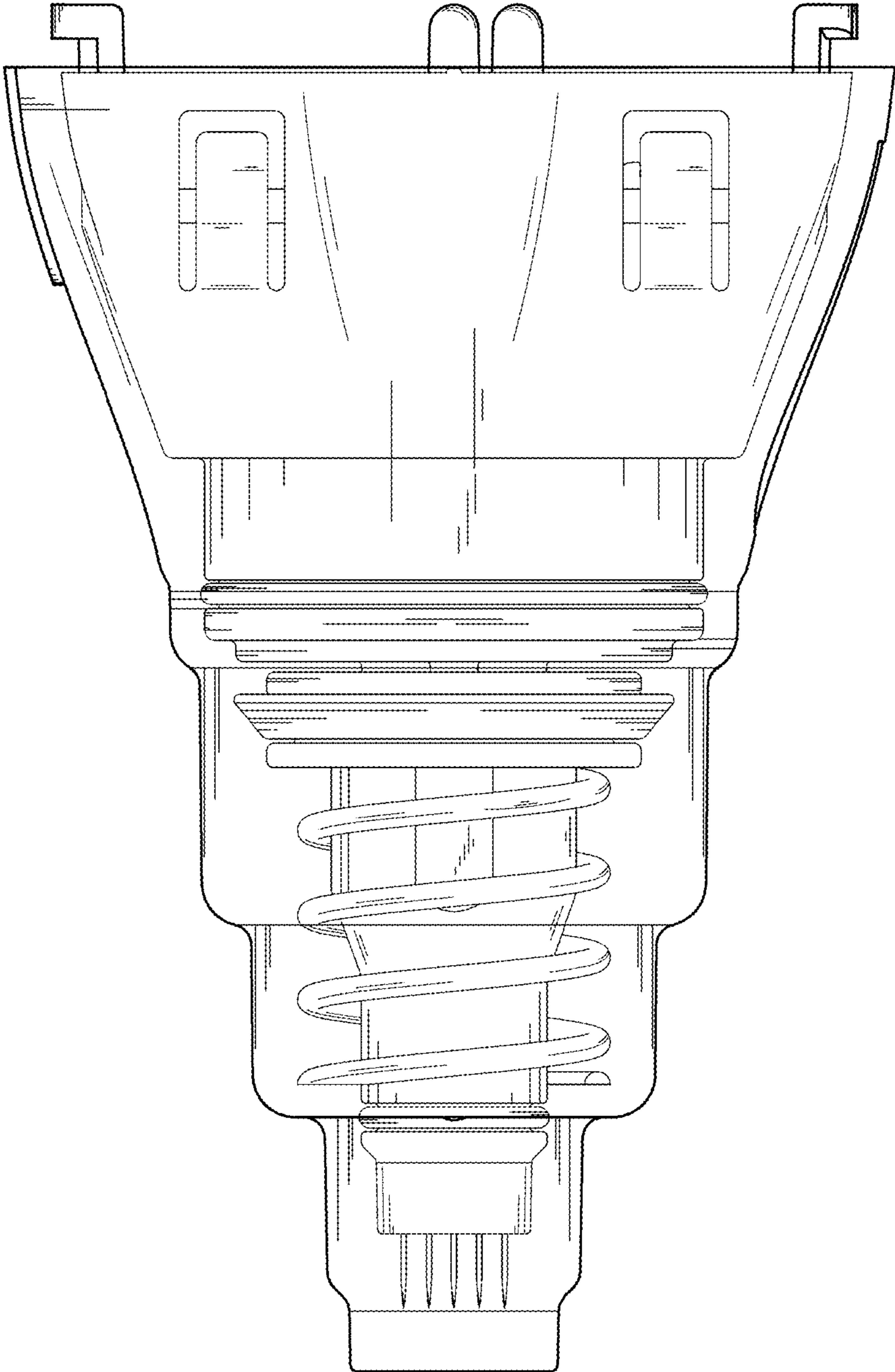


FIG. 6

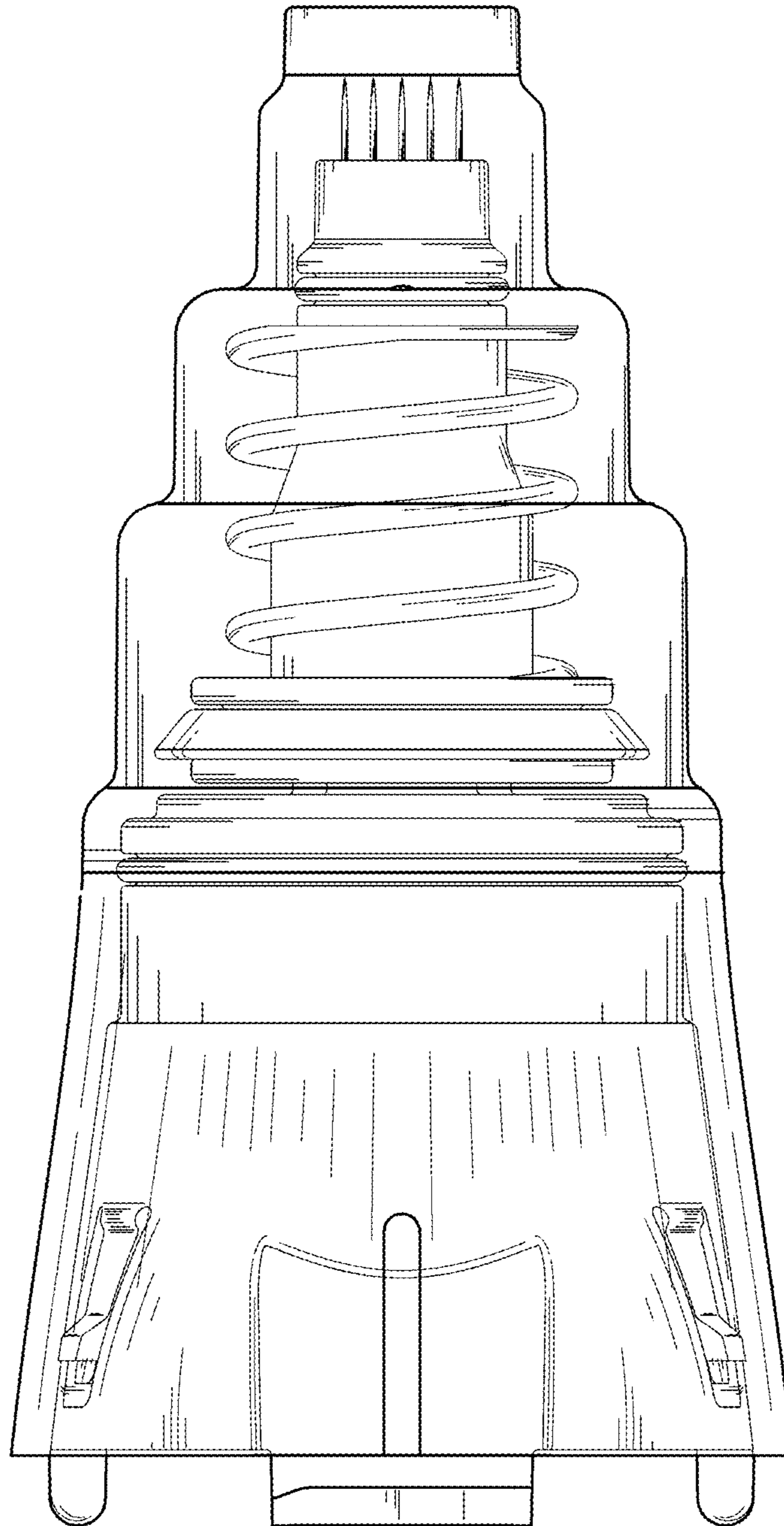


FIG. 7

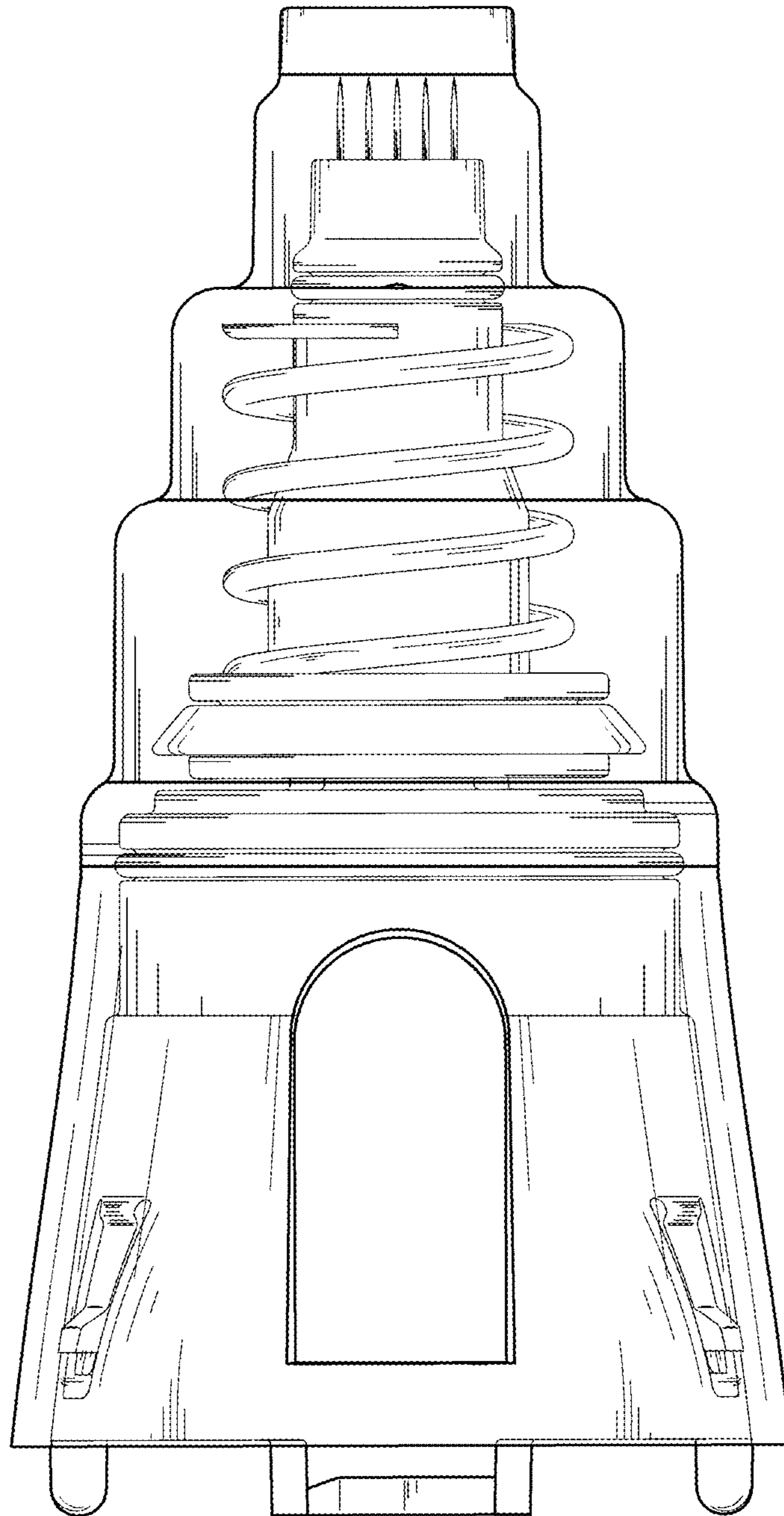




FIG. 8

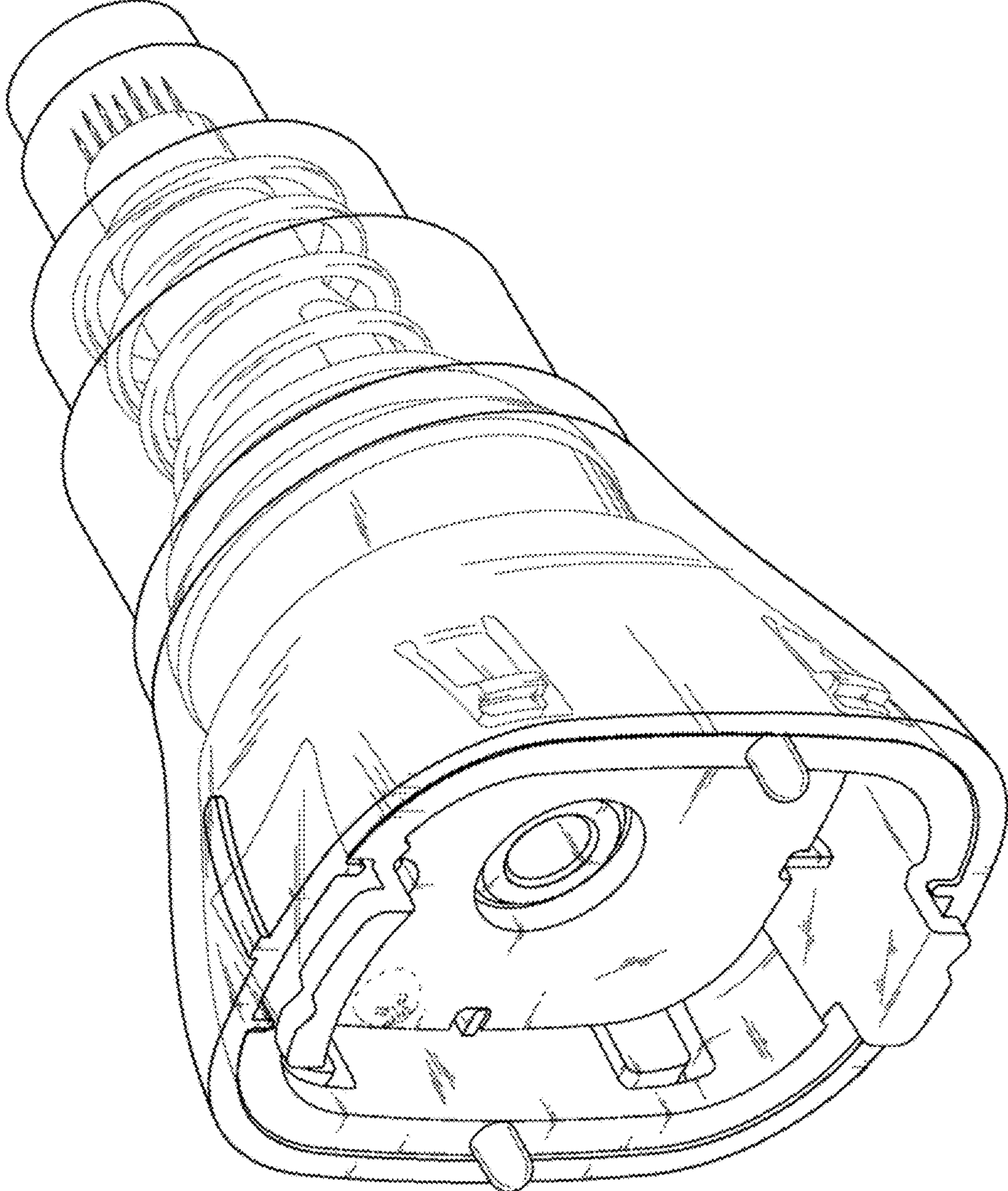


FIG. 9

