



US00D941465S

(12) **United States Design Patent**  
**Guala**

(10) **Patent No.:** **US D941,465 S**

(45) **Date of Patent:** **\*\* Jan. 18, 2022**

(54) **INJECTION SITE**

(71) Applicant: **Industrie Borla S.p.A.**, Moncalieri (IT)

(72) Inventor: **Gianni Guala**, Turin (IT)

(73) Assignee: **INDUSTRIE BORLA S.P.A.**,  
Moncalieri (IT)

(\*\*) Term: **15 Years**

(21) Appl. No.: **29/728,749**

(22) Filed: **Mar. 20, 2020**

(30) **Foreign Application Priority Data**

Oct. 30, 2019 (EM) ..... 007143656-0001

(51) **LOC (13) Cl.** ..... **24-02**

(52) **U.S. Cl.**  
USPC ..... **D24/129; D24/130**

(58) **Field of Classification Search**  
USPC ..... D24/112-114, 127-130, 108, 133, 186  
CPC ..... A61M 25/00; A61M 25/0014; A61M  
25/0097; A61M 25/0026  
See application file for complete search history.

(56) **References Cited**

**U.S. PATENT DOCUMENTS**

4,043,333 A \* 8/1977 Munsch ..... A61M 39/04  
604/86  
5,639,810 A \* 6/1997 Smith, III ..... A61L 29/041  
524/269  
D671,208 S \* 11/2012 Trifilio ..... D24/128  
D672,037 S \* 12/2012 Miller ..... D24/129  
D691,717 S \* 10/2013 McLean ..... D24/129  
9,174,036 B2 \* 11/2015 Okamura ..... A61M 25/0662

9,585,999 B2 \* 3/2017 Guala ..... A61M 39/10  
D802,124 S \* 11/2017 Guala ..... D24/129  
D802,759 S \* 11/2017 Guala ..... D24/129  
D812,743 S \* 3/2018 Guala ..... D24/129  
D831,202 S \* 10/2018 Ratner ..... D24/129  
D849,938 S \* 5/2019 Gloria Bello ..... D24/129  
D866,748 S \* 11/2019 Khabiri ..... D24/108  
10,918,831 B2 \* 2/2021 Smith ..... A61B 5/0215

**FOREIGN PATENT DOCUMENTS**

EM 007143656-0001 \* 11/2019  
GB 9007143656-0001 \* 10/2019

\* cited by examiner

*Primary Examiner* — Natasha Vujcic

*Assistant Examiner* — Gilbert B Ford

(74) *Attorney, Agent, or Firm* — Heslin Rothenberg  
Farley & Mesiti P.C.; Victor A. Cardona, Esq.

(57) **CLAIM**

I claim, the ornamental design for an injection site, as shown and described.

**DESCRIPTION**

FIG. 1 is a perspective view from above of an injection site showing the new design;

FIG. 2 is a perspective view from below thereof;

FIG. 3 is a top plan view thereof;

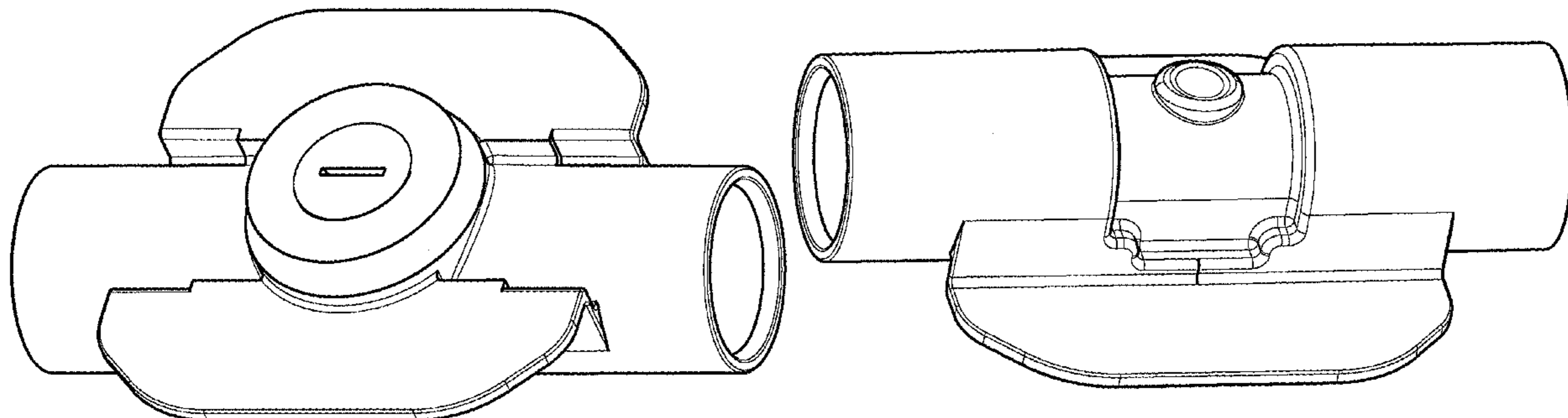
FIG. 4 is a bottom plan view thereof;

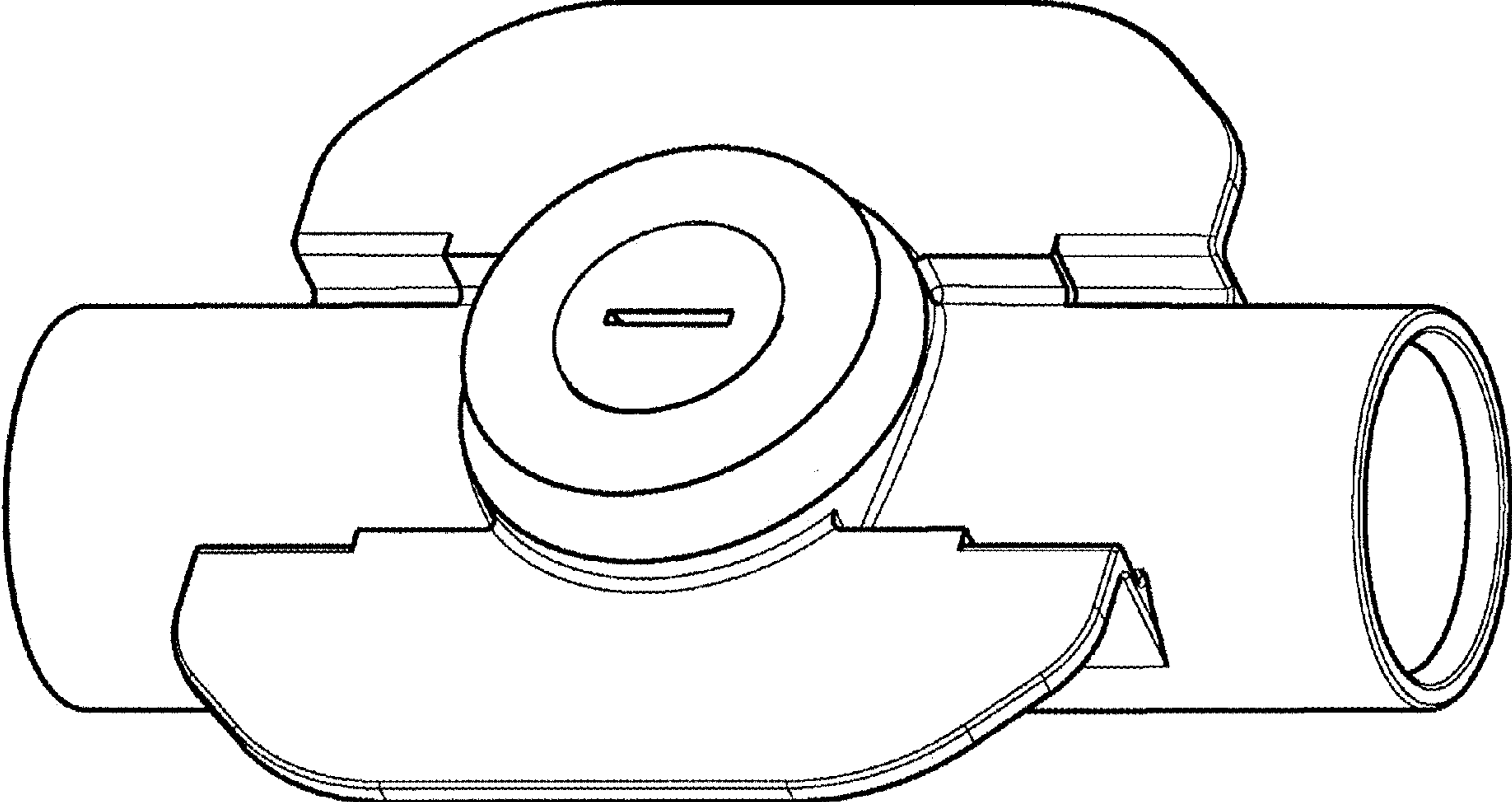
FIG. 5 is a left side view thereof with the right side being identical thereto;

FIG. 6 is a front end view thereof; and,

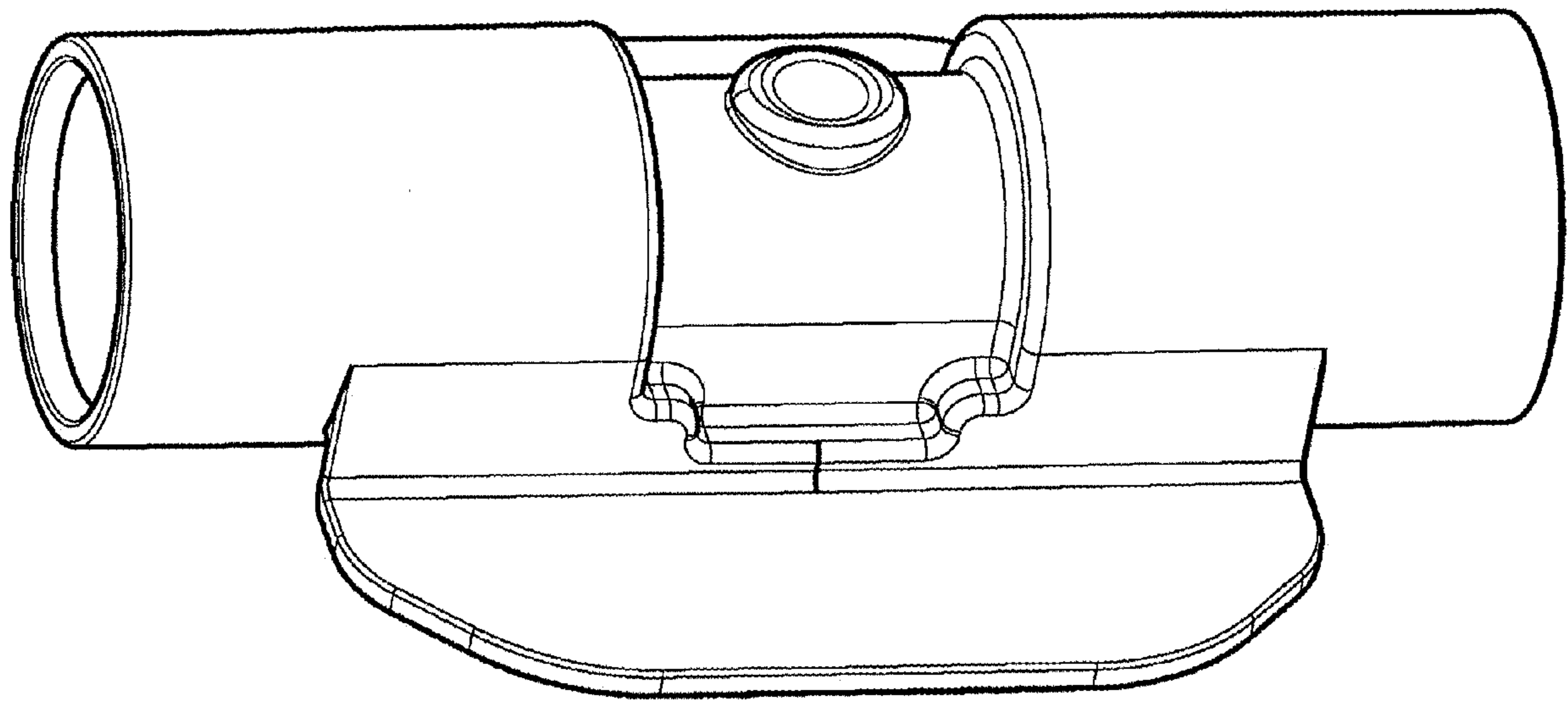
FIG. 7 is a rear end view thereof.

**1 Claim, 7 Drawing Sheets**





*FIG. 1*



*FIG. 2*

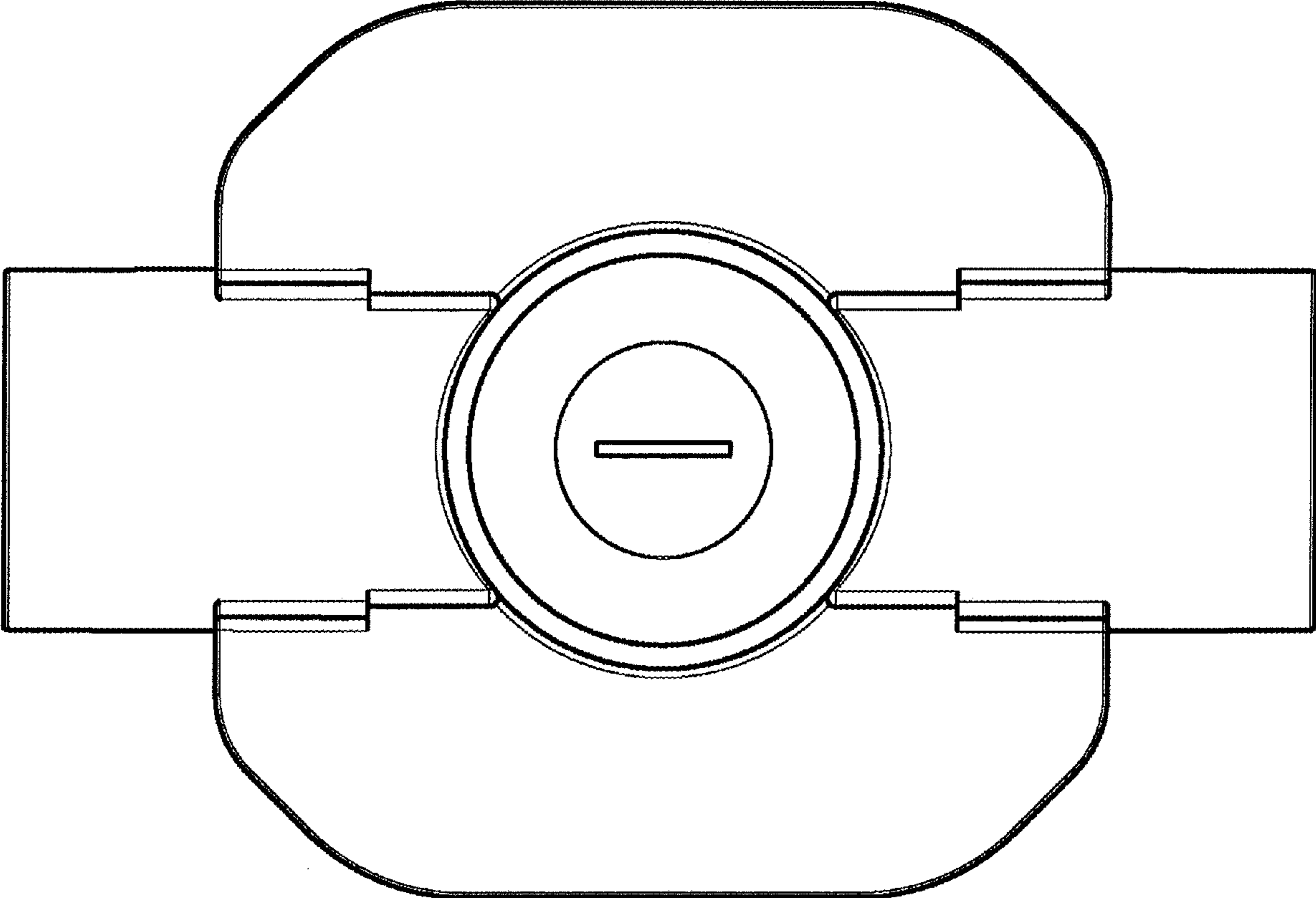


FIG. 3

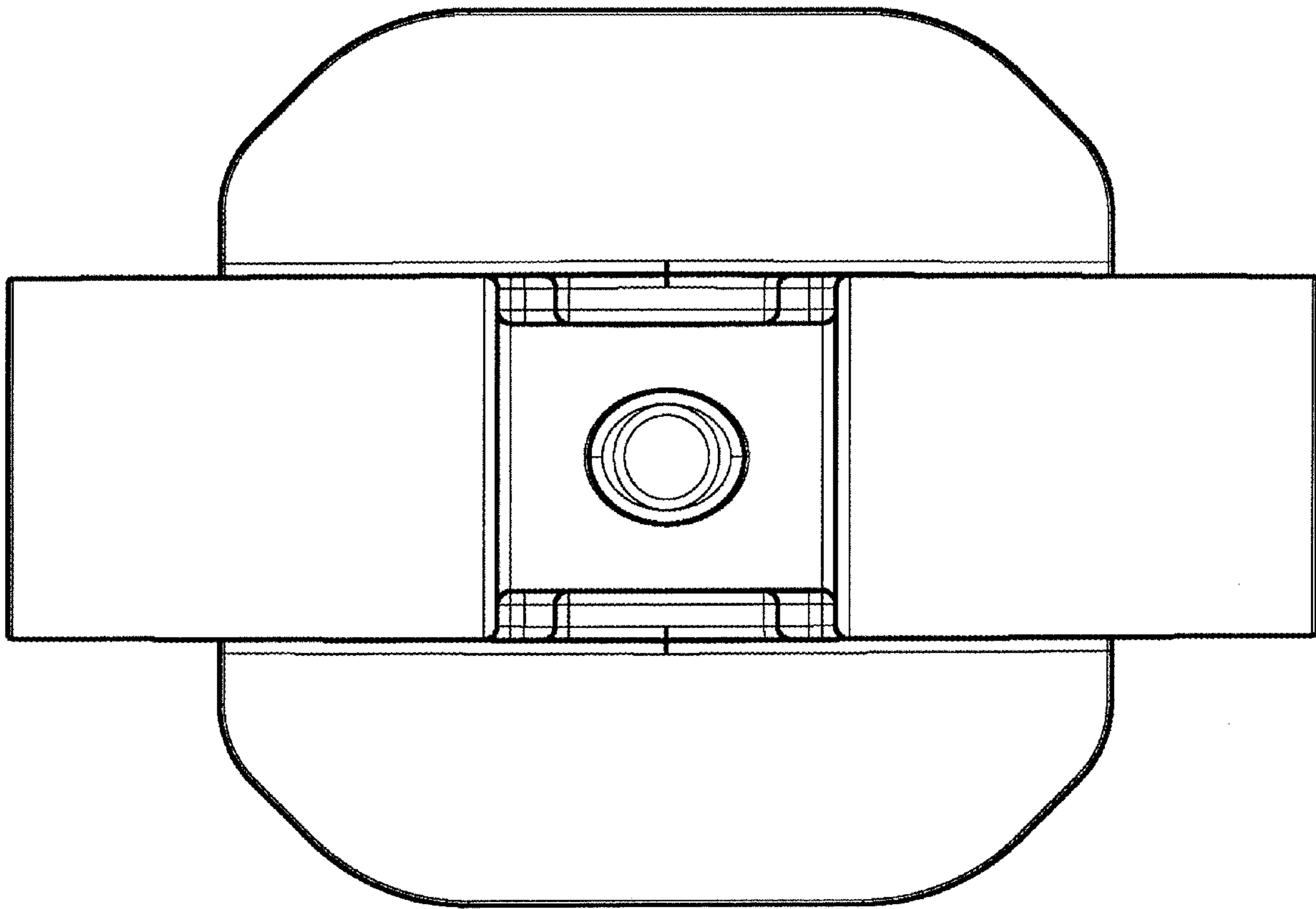
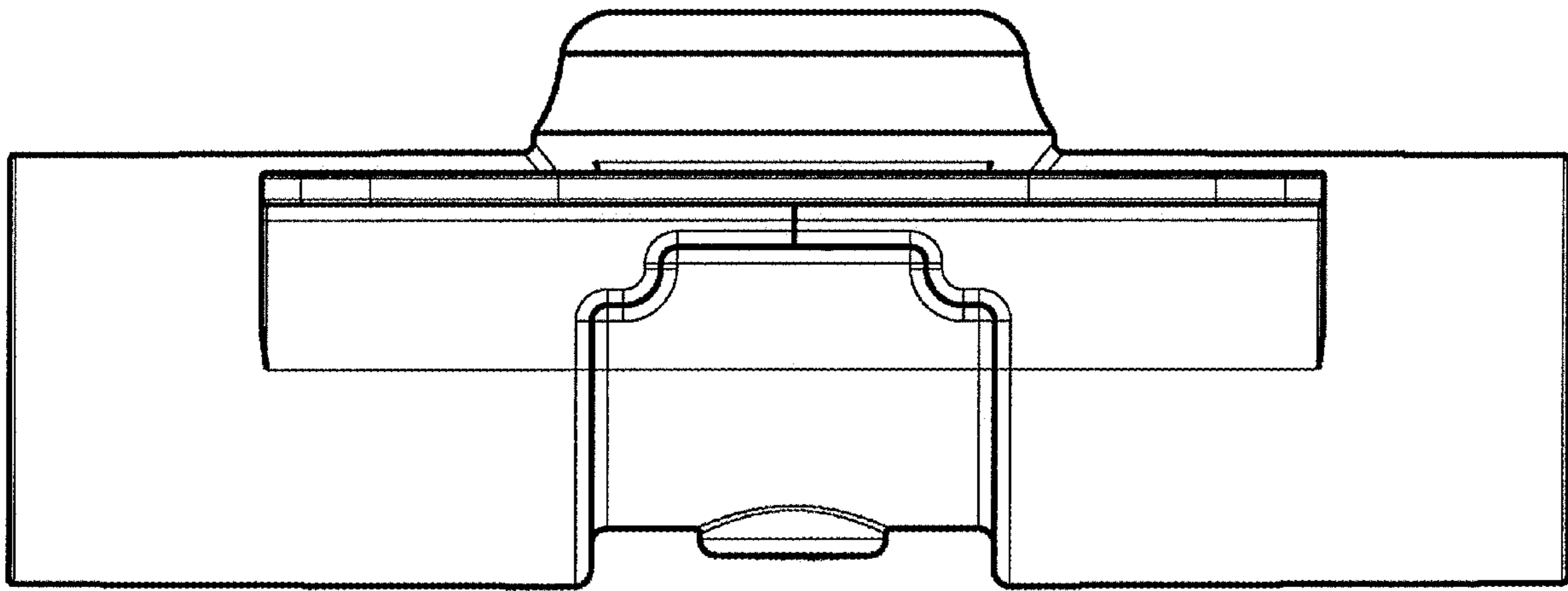
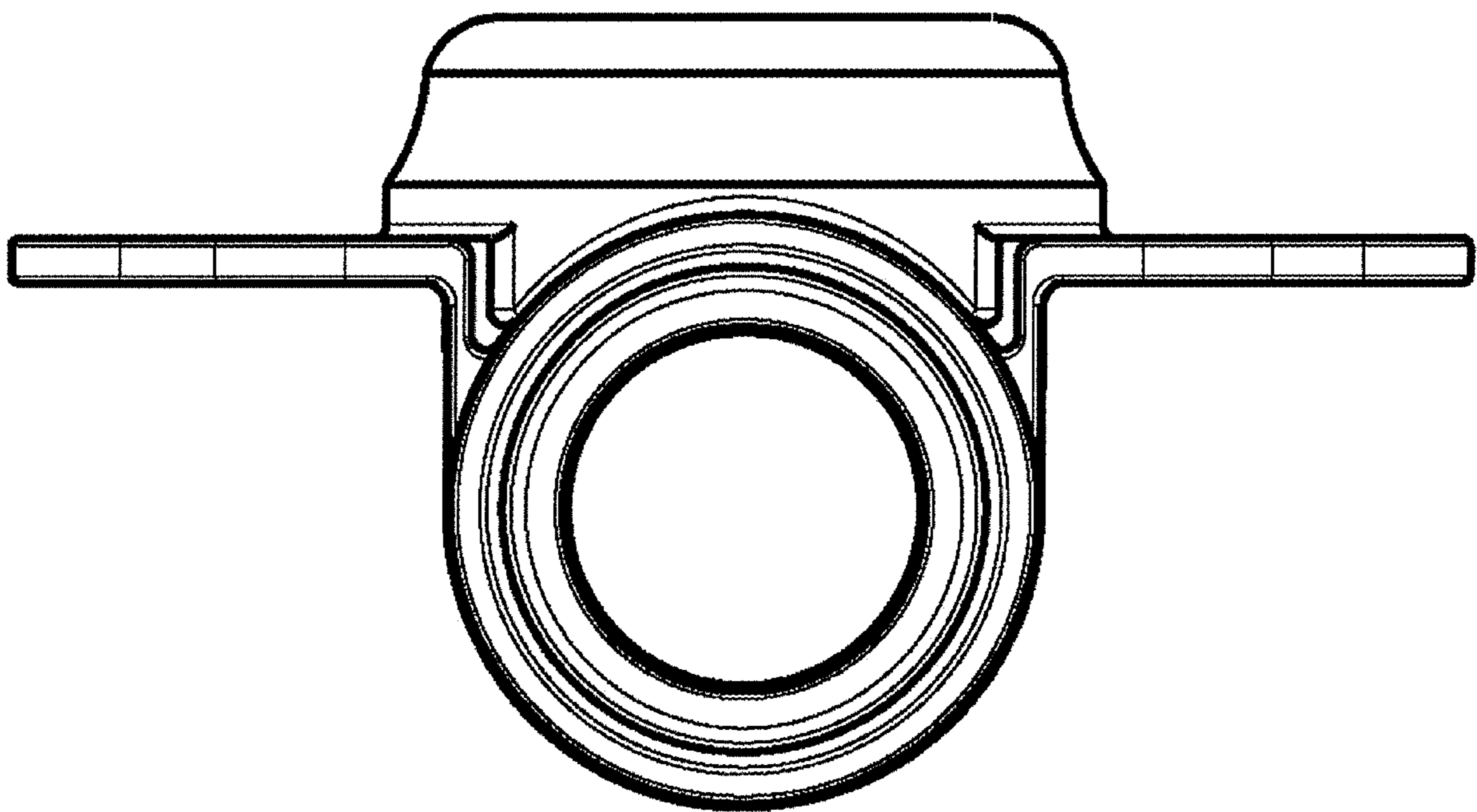


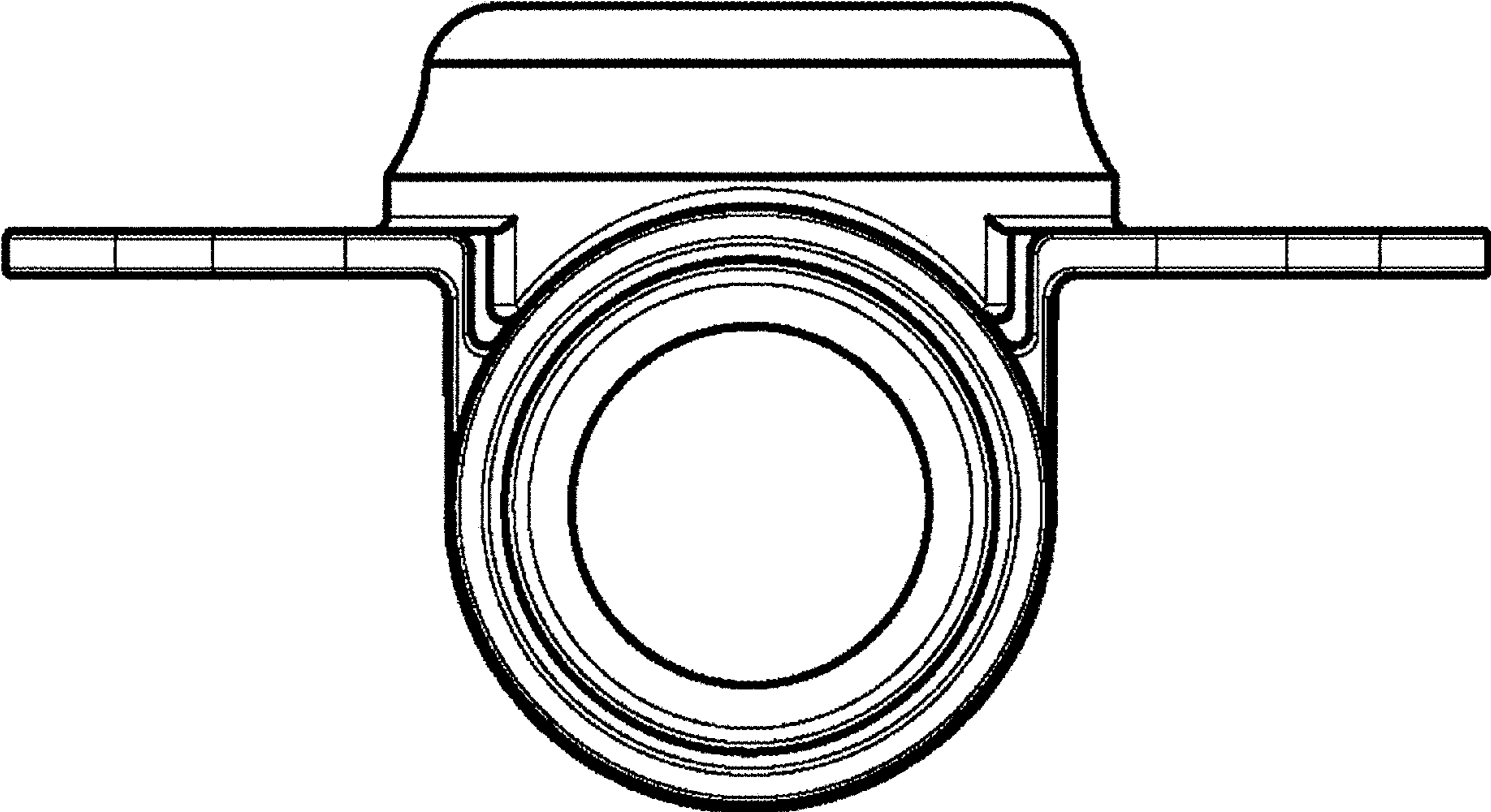
FIG. 4



*FIG. 5*



*FIG. 6*



*FIG. 7*