



US00D941464S

(12) **United States Design Patent** (10) **Patent No.:** **US D941,464 S**
Nock et al. (45) **Date of Patent:** **** Jan. 18, 2022**

(54) **STERILE COVER**
(71) Applicant: **Devicor Medical Products, Inc.,**
Cincinnati, OH (US)
(72) Inventors: **Andrew P. Nock**, Dayton, OH (US);
Andrew Robinson, Cincinnati, OH
(US); **Mark A. Graham**, Maineville,
OH (US)
(73) Assignee: **Devicor Medical Products, Inc.,**
Cincinnati, OH (US)
(**) Term: **15 Years**
(21) Appl. No.: **29/758,102**
(22) Filed: **Nov. 12, 2020**

D460,328 S * 7/2002 de Groote D10/46.2
D496,216 S * 9/2004 Morgan D7/368
D675,070 S * 1/2013 Rockwell D7/691
D694,592 S * 12/2013 Hukill D7/691
D774,193 S * 12/2016 Makmel D24/152
D787,068 S * 5/2017 Sosa D24/176
D827,395 S * 9/2018 Shymkus D7/691
D839,059 S * 1/2019 Sullivan D7/691
D869,653 S * 12/2019 Klaassen D24/135
D873,630 S * 1/2020 Zemel D7/691
D883,043 S * 5/2020 Sullivan D7/691

* cited by examiner
Primary Examiner — Nathan M Johnston
(74) *Attorney, Agent, or Firm* — Frost Brown Todd LLC

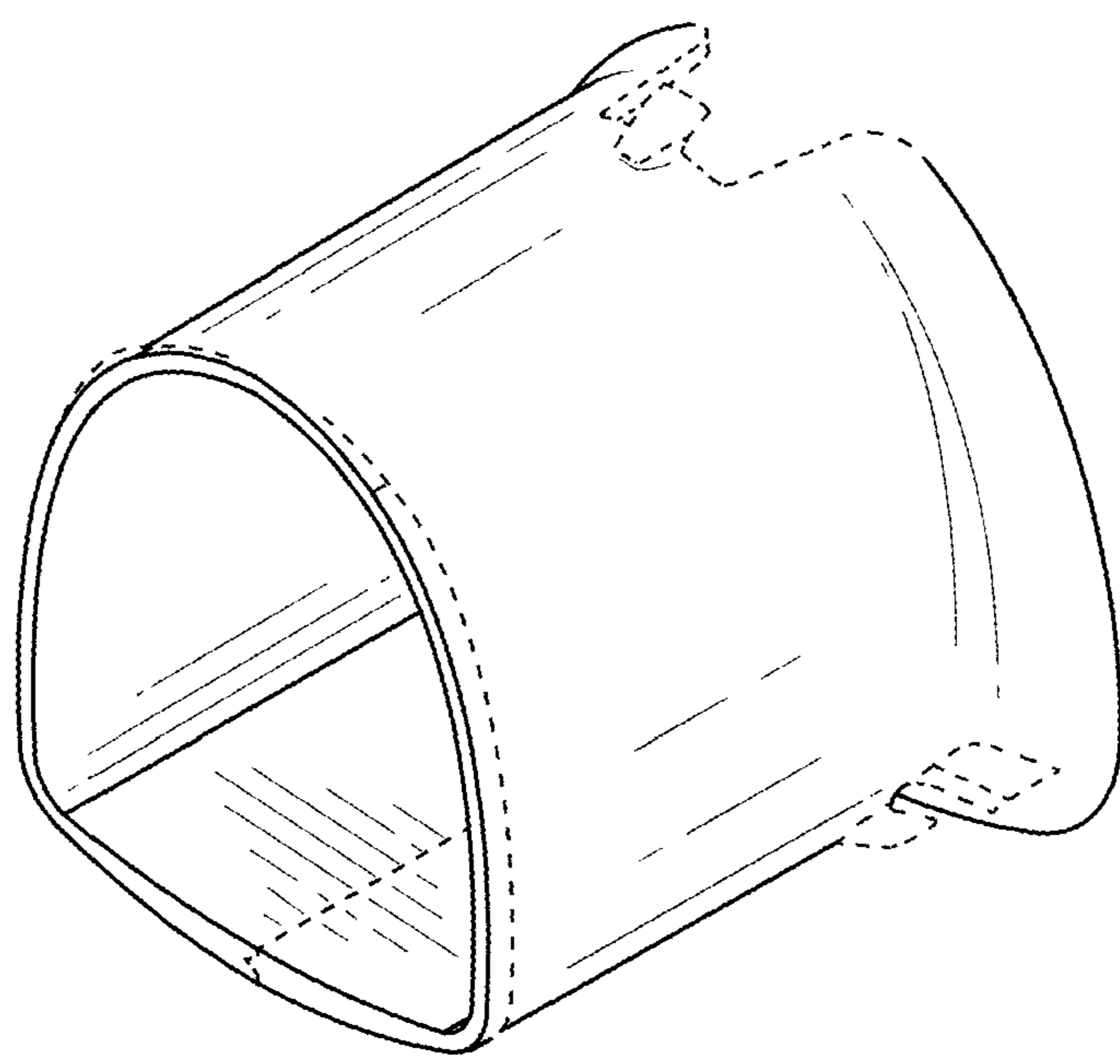
Related U.S. Application Data
(62) Division of application No. 29/670,490, filed on Nov.
16, 2018, now Pat. No. Des. 905,234.
(51) **LOC (13) Cl.** **24-02**
(52) **U.S. Cl.**
USPC **D24/127**
(58) **Field of Classification Search**
USPC D24/127, 112–114, 152, 176, 110, 133,
D24/186, 104, 130, 137; 606/181, 185;
604/232, 187, 158, 164.08, 192, 263, 163,
604/181, 184, 198, 227, 111; D7/691;
D9/442
CPC A61B 8/4422; A61B 8/14; A61B 46/17
See application file for complete search history.

(57) **CLAIM**
The ornamental design for a sterile cover, as shown and
described.

(56) **References Cited**
U.S. PATENT DOCUMENTS
D376,515 S * 12/1996 Powers D7/691
D438,979 S * 3/2001 Gomes D24/130

DESCRIPTION
FIG. 1 is a top perspective view of a sterile cover, showing
our new design;
FIG. 2 is a bottom perspective view of FIG. 1;
FIG. 3 is a front elevational view of FIG. 1;
FIG. 4 is a back elevational view of FIG. 1;
FIG. 5 is a left elevational view of FIG. 1;
FIG. 6 is a right elevational view of FIG. 1;
FIG. 7 is a top plan view of FIG. 1; and,
FIG. 8 is a bottom plan view of FIG. 1.
The dashed lines immediately adjacent to the shaded areas
in the figures represent the boundaries of the sterile cover.
The dashed lines in the figures illustrate the portions of the
sterile cover that form no part of the claimed design. None
of the broken lines form any part of the claimed design.

1 Claim, 4 Drawing Sheets



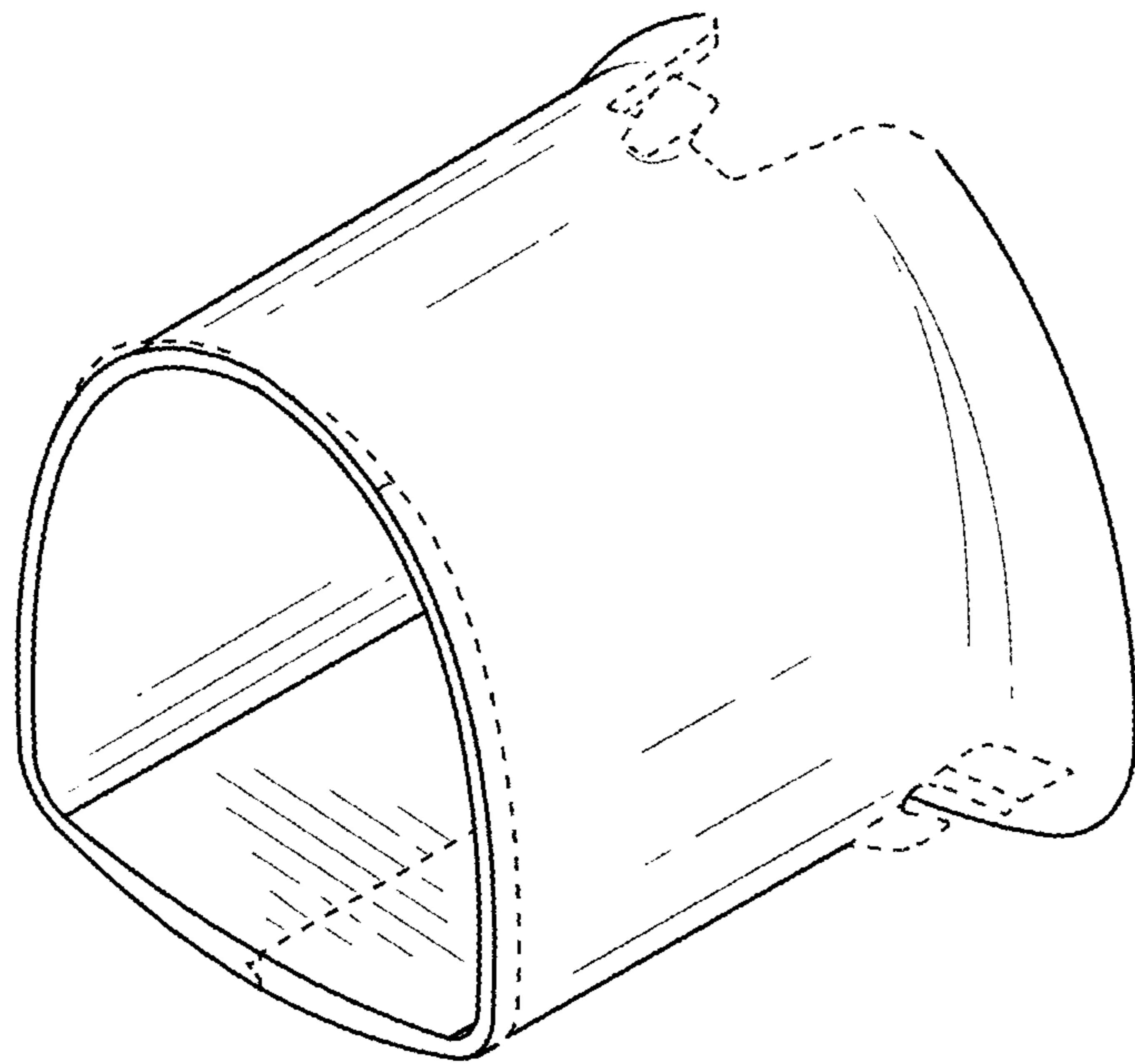


FIG. 1

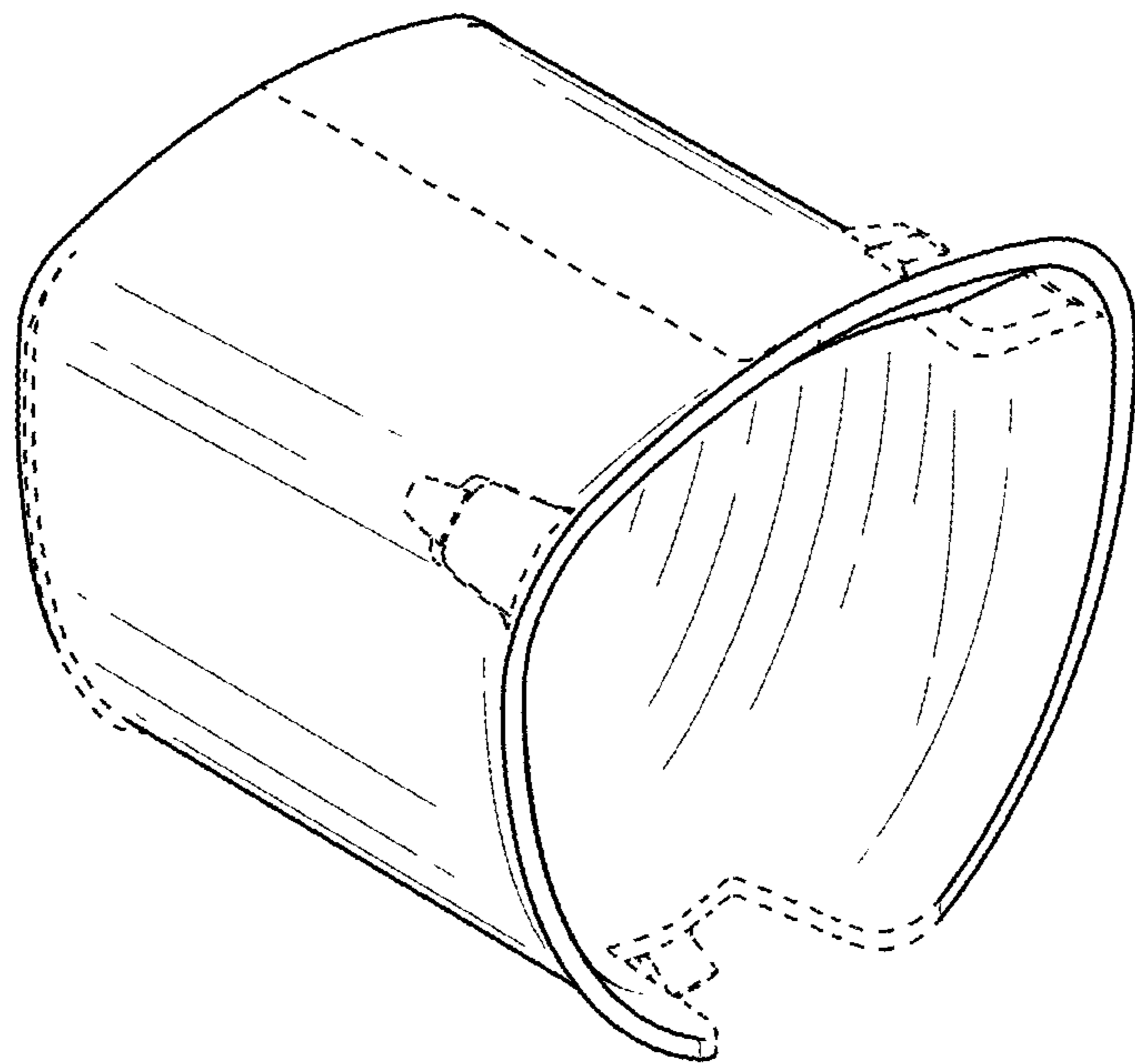


FIG. 2

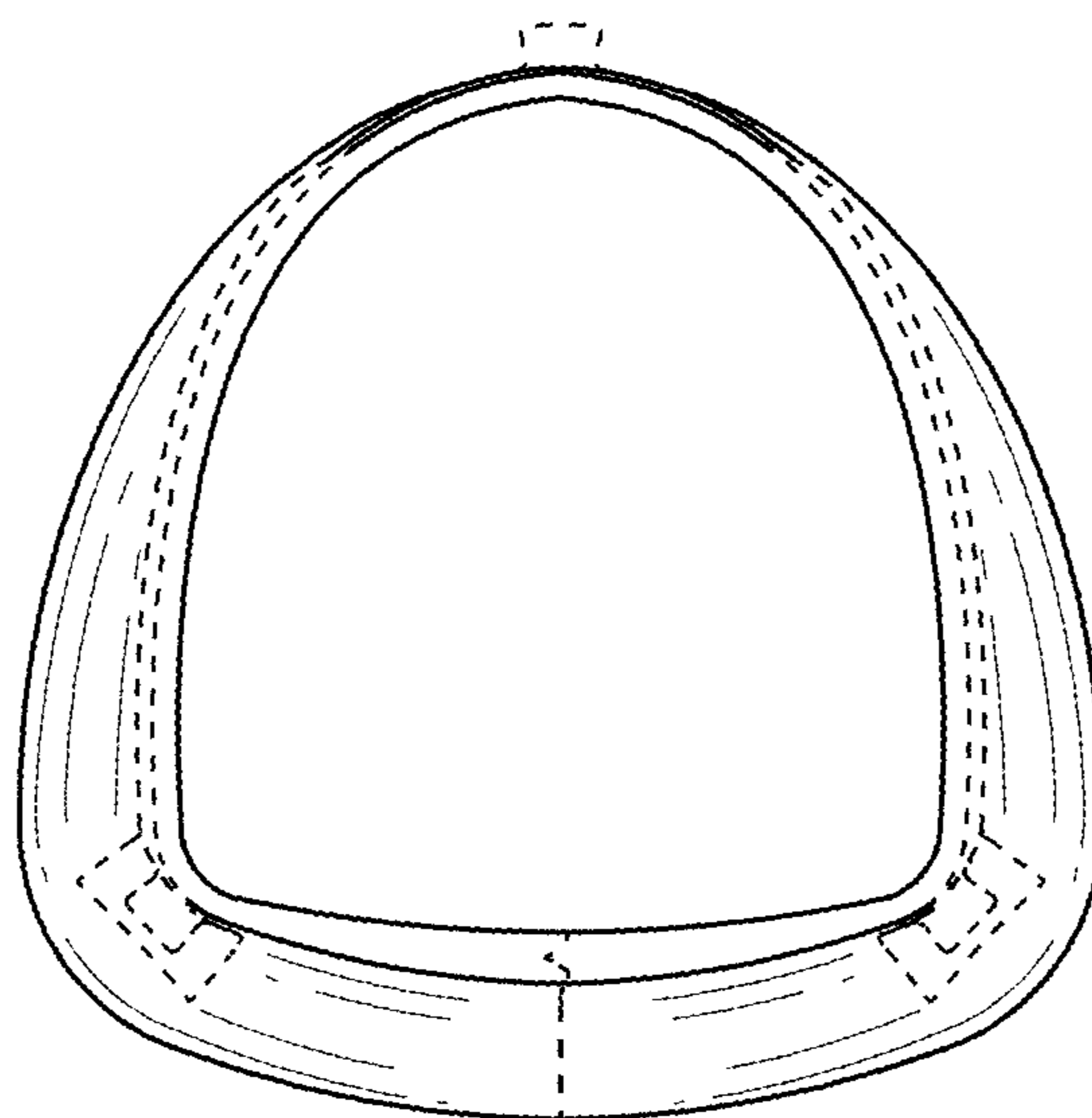


FIG. 3

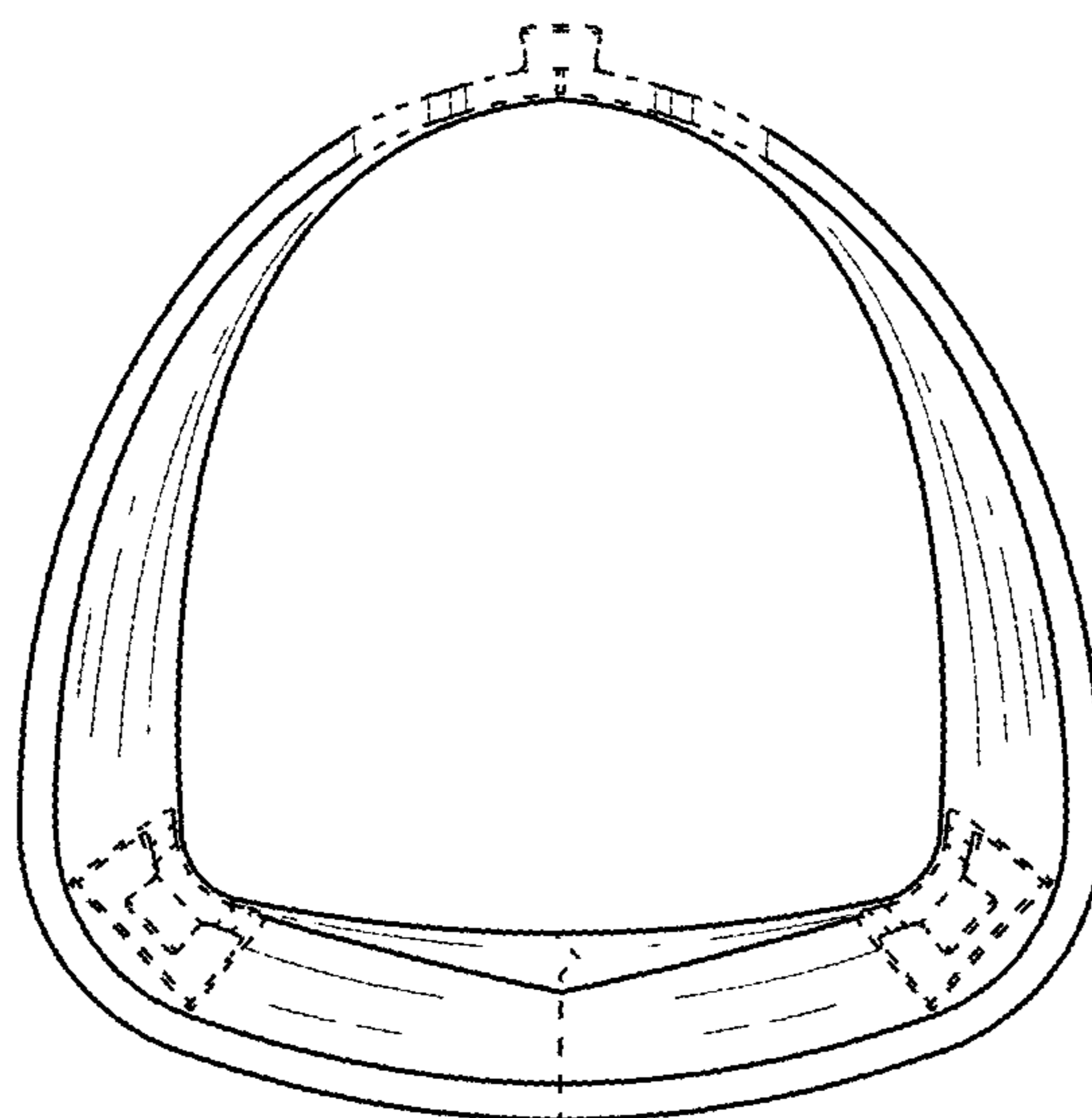


FIG. 4

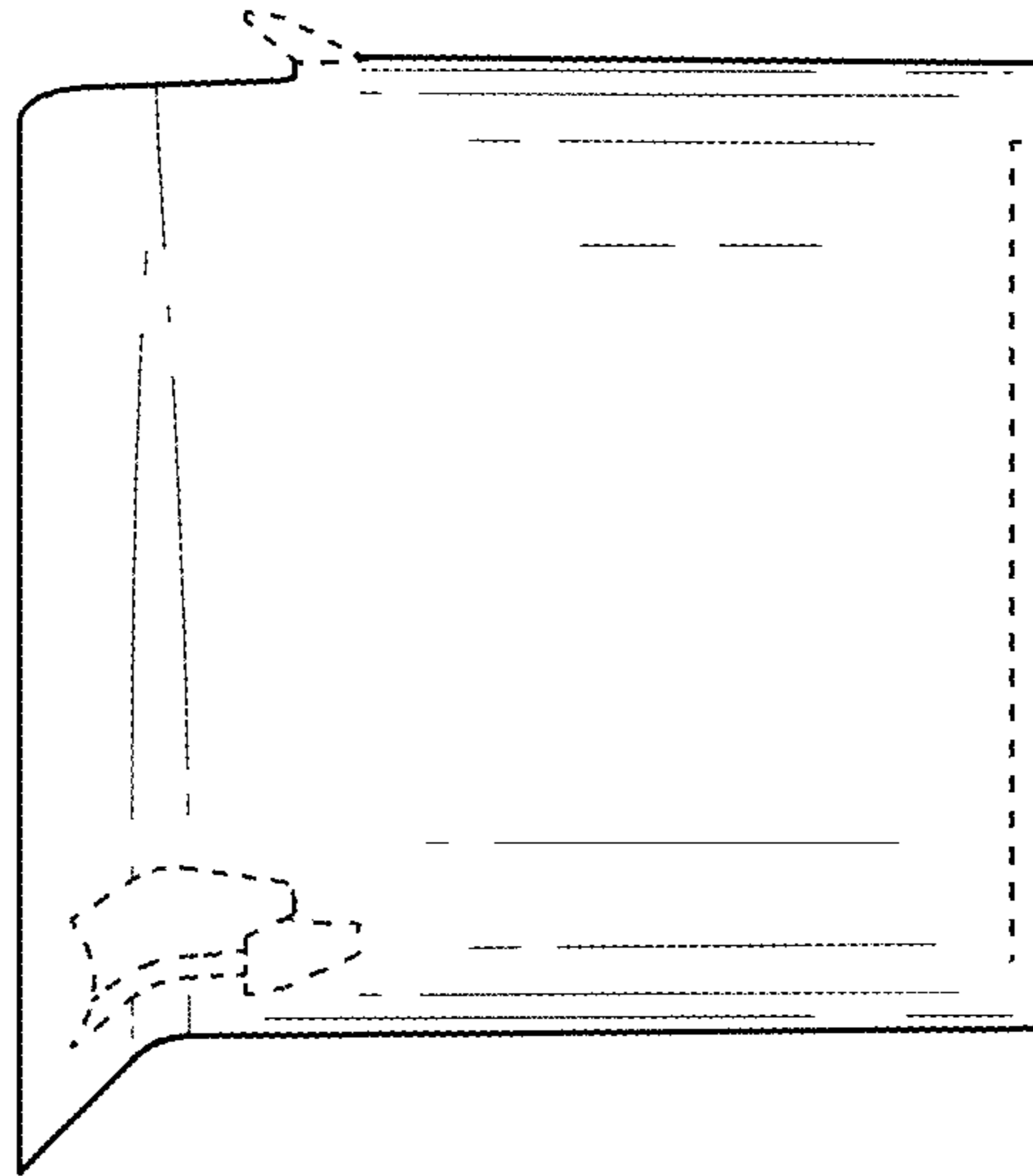


FIG. 5

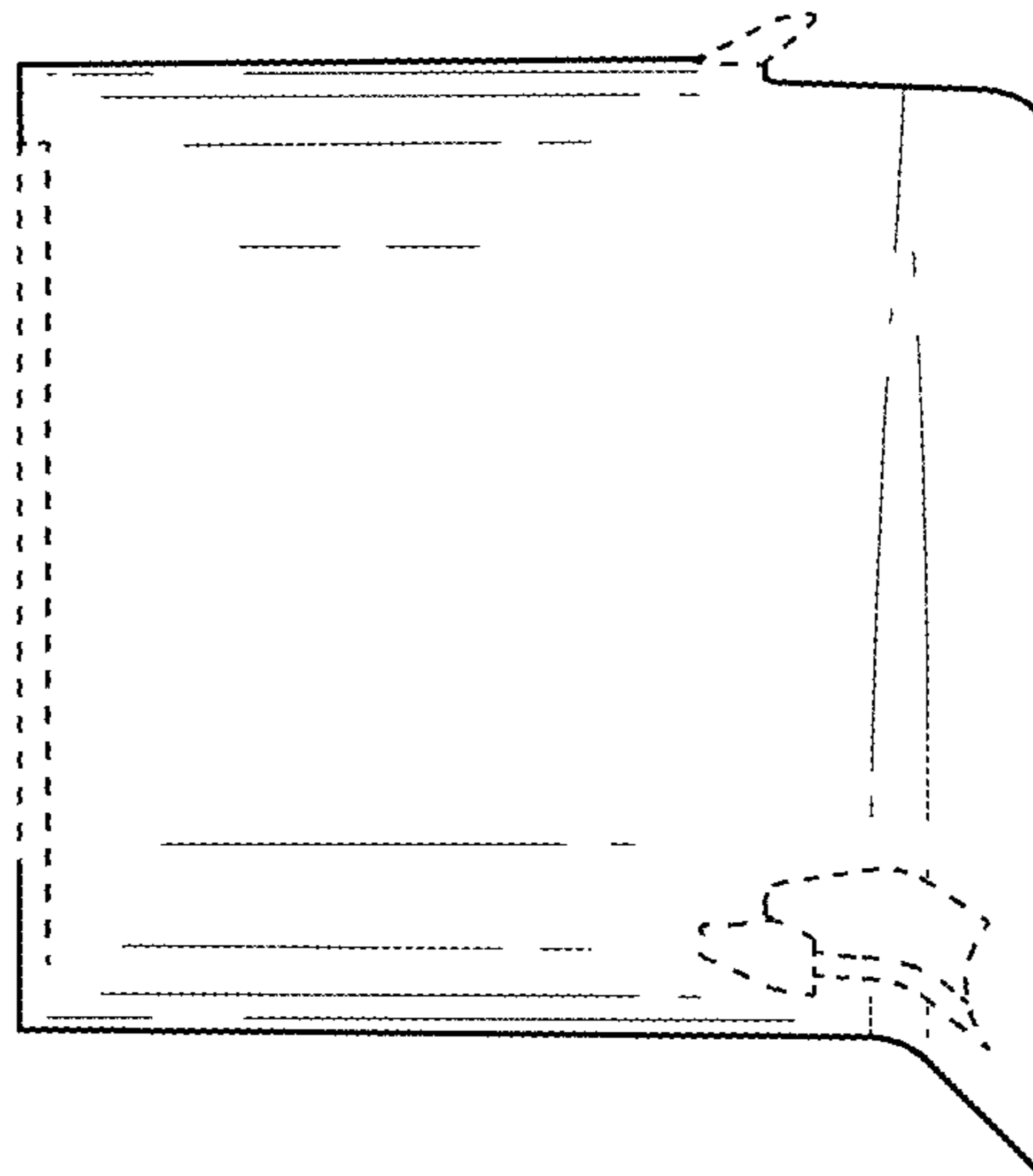


FIG. 6

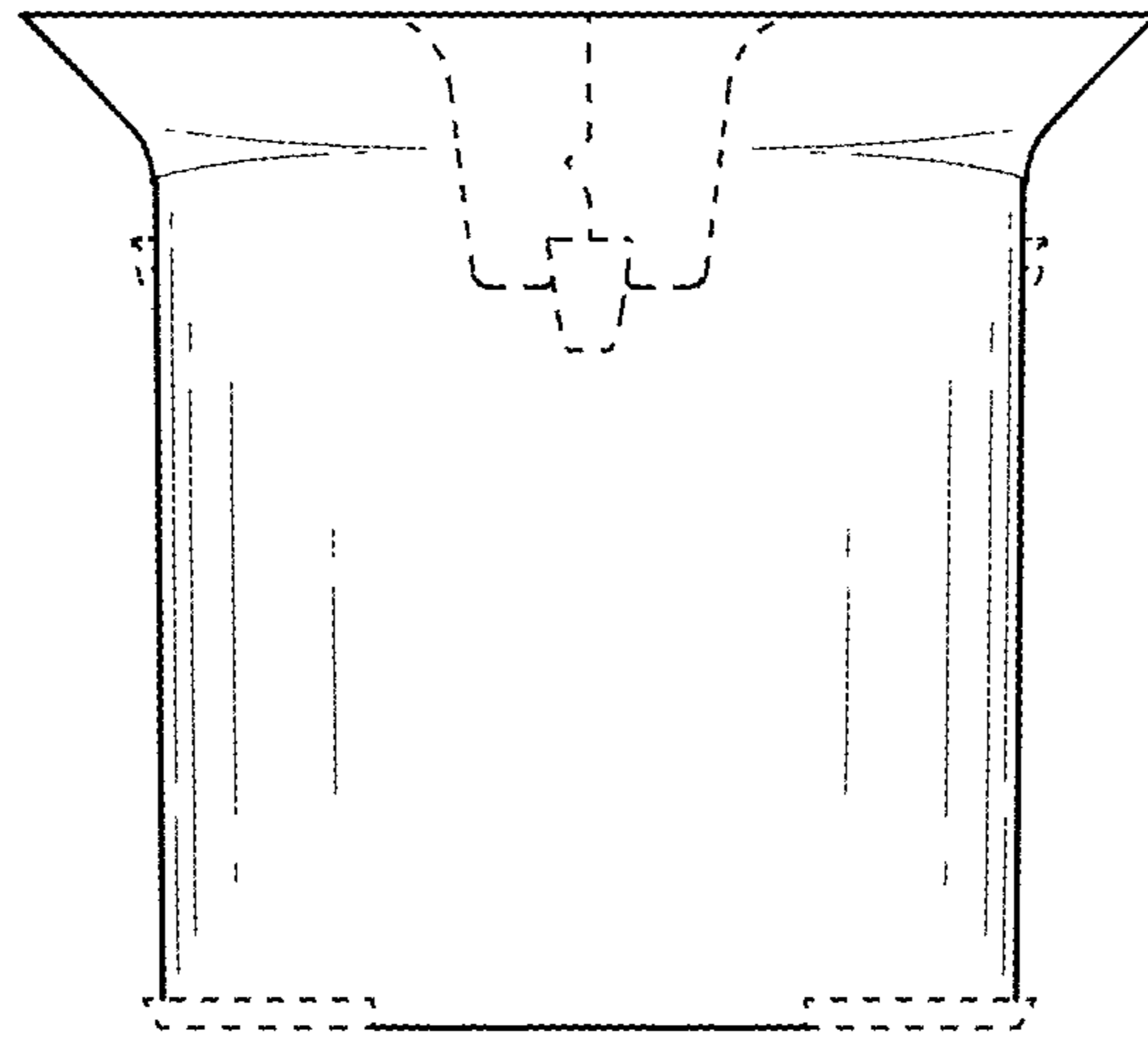


FIG. 7

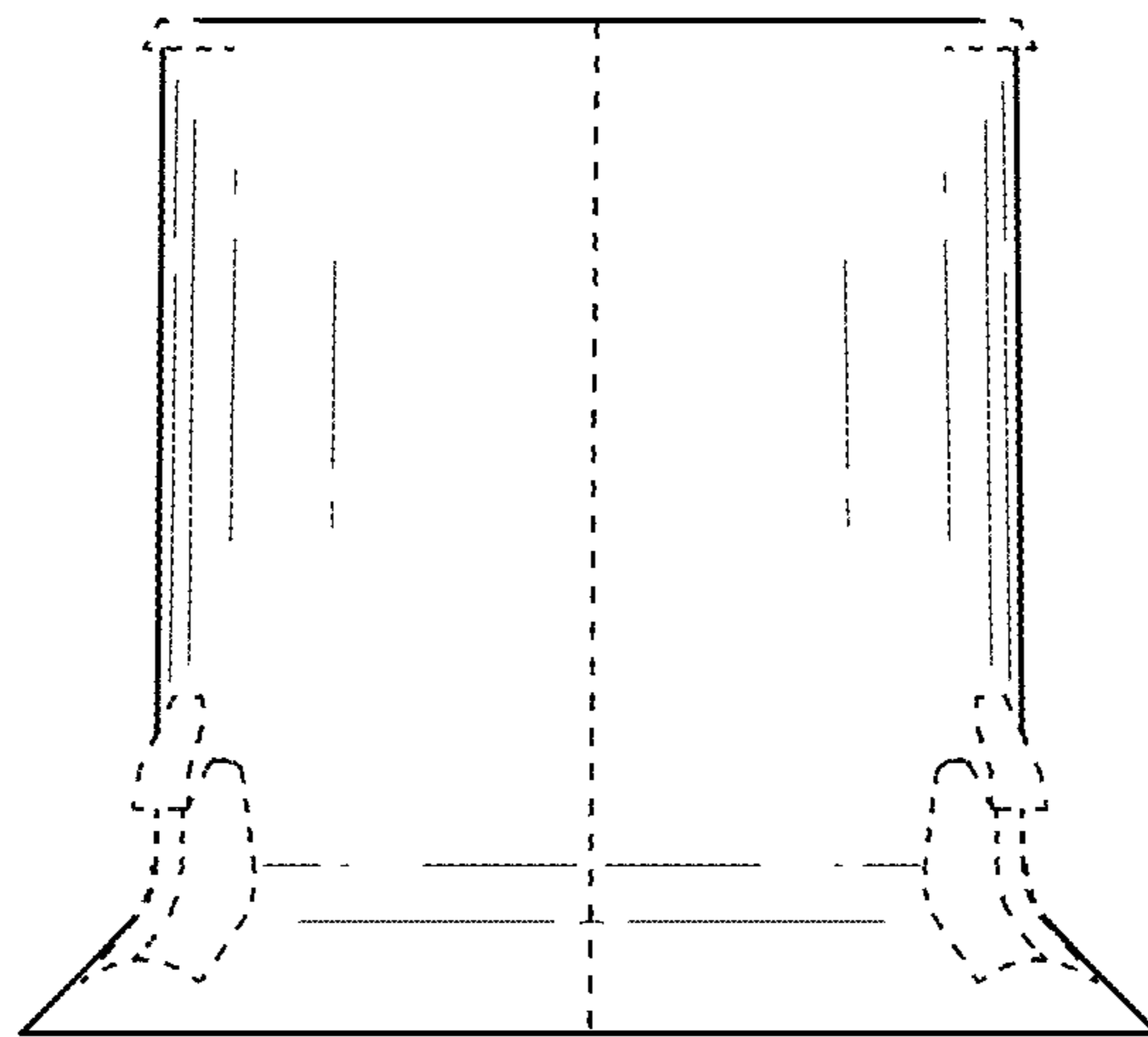


FIG. 8