



US00D941461S

(12) **United States Design Patent**  
**Song et al.**

(10) **Patent No.:** **US D941,461 S**  
(45) **Date of Patent:** **\*\* Jan. 18, 2022**

(54) **TEETH FLUSHING DEVICE**  
(71) Applicant: **Shenzhen Yunding Information Technology Co., LTD**, Shenzhen (CN)  
(72) Inventors: **Kan Song**, Shenzhen (CN); **Haoxiang Hu**, Shenzhen (CN)  
(73) Assignee: **Shenzhen Yunding Information Technology Co., LTD**, Shenzhen (CN)

D669,978 S \* 10/2012 Gebski ..... D24/111  
D889,637 S \* 7/2020 Yuan ..... D24/111  
D904,601 S \* 12/2020 Xu ..... D24/111  
D908,208 S \* 1/2021 He ..... D24/111  
D909,568 S \* 2/2021 Xia ..... D24/111  
D913,484 S \* 3/2021 Li ..... D24/111  
D922,565 S \* 6/2021 Wang ..... D24/111  
D929,575 S \* 8/2021 Liu ..... D24/111  
2016/0151133 A1\* 6/2016 Luetngen ..... A61C 17/0202  
433/80  
2021/0283327 A1\* 9/2021 Groves ..... A61C 17/225

(\*\*) Term: **15 Years**

\* cited by examiner

(21) Appl. No.: **29/745,417**

*Primary Examiner* — Wan Laymon

(22) Filed: **Aug. 6, 2020**

(57) **CLAIM**

(51) **LOC (13) Cl.** ..... **24-02**

The ornamental design for a teeth flushing device, as shown and described.

(52) **U.S. Cl.**  
USPC ..... **D24/111**

(58) **Field of Classification Search**  
USPC ..... D24/111–114, 152, 176, 108  
CPC . A61C 17/02; A61C 17/0202; A61C 17/0205;  
A61C 17/0211; A61C 17/028; A61C  
17/16; A61C 17/20; A61C 17/22; A61C  
17/222; A61C 17/225; A61C 17/26; A61C  
17/28; A61C 17/36  
See application file for complete search history.

**DESCRIPTION**

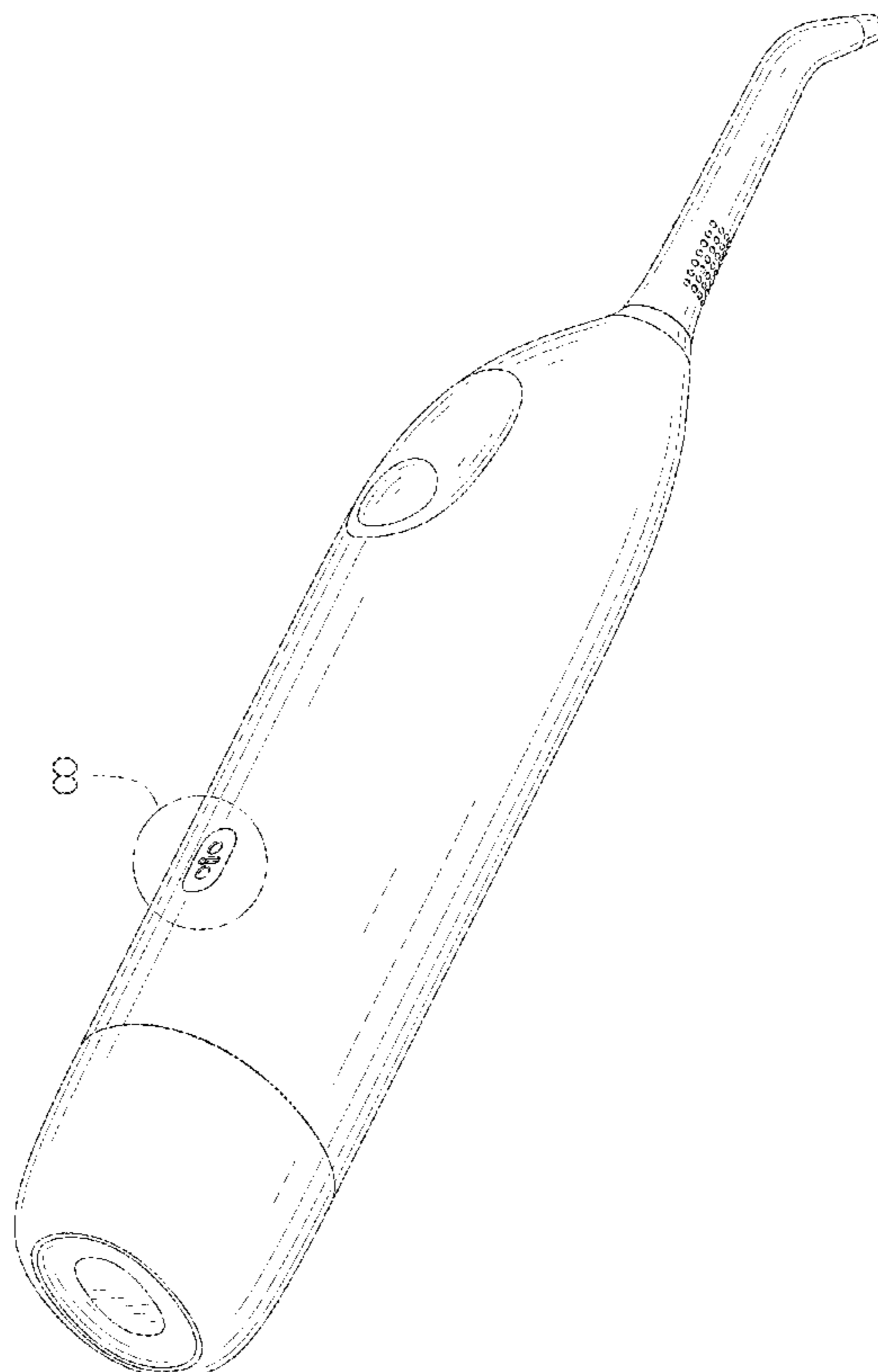
FIG. 1 is a front, bottom and right side perspective view of a teeth flushing device showing our new design;  
FIG. 2 is a front elevational view thereof;  
FIG. 3 is a rear elevational view thereof;  
FIG. 4 is a left side view thereof;  
FIG. 5 is a right side view thereof;  
FIG. 6 is a top plan view thereof;  
FIG. 7 is a bottom plan view thereof;  
FIG. 8 is an enlarged view of portion 8 in FIG. 1; and,  
FIG. 9 is an enlarged view of portion 9 in FIG. 3.

(56) **References Cited**

**U.S. PATENT DOCUMENTS**

D322,314 S \* 12/1991 Ohbayashi ..... D24/113  
D468,422 S \* 1/2003 McCurrach ..... D24/111

**1 Claim, 9 Drawing Sheets**



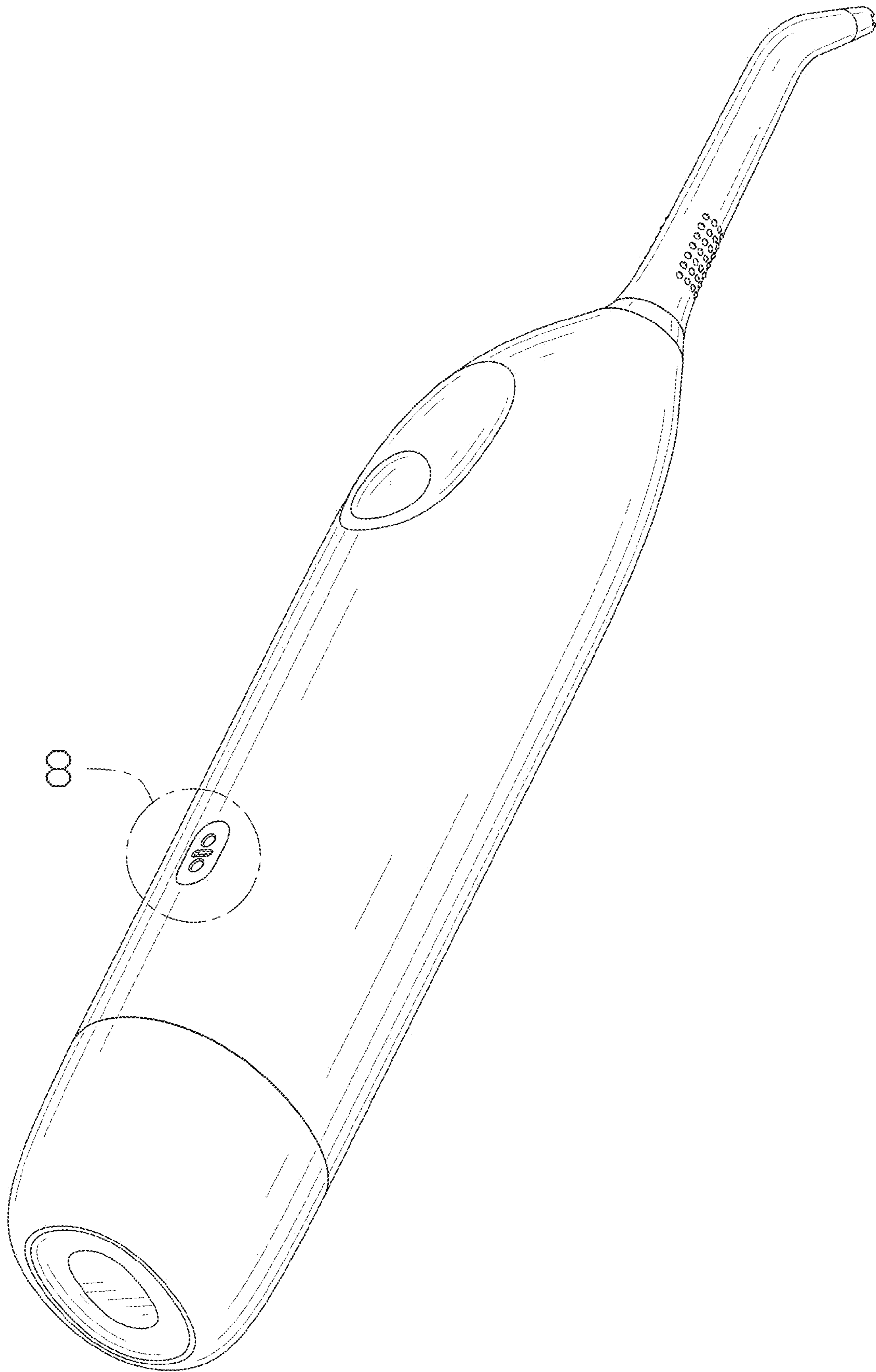


FIG. 1

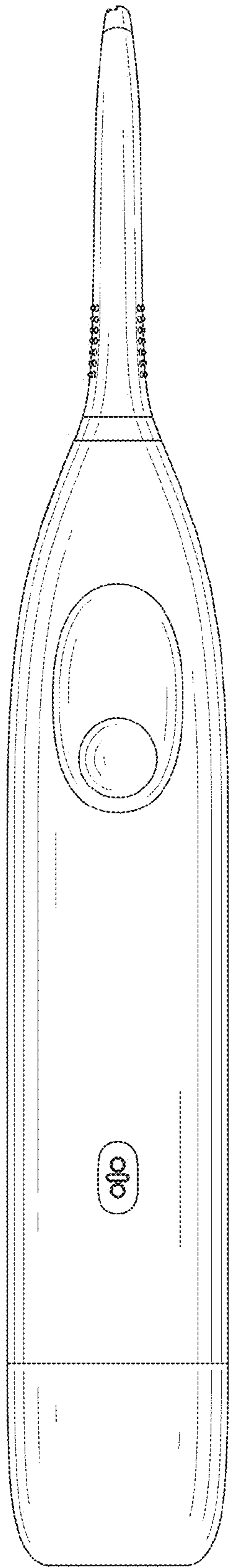


FIG. 2

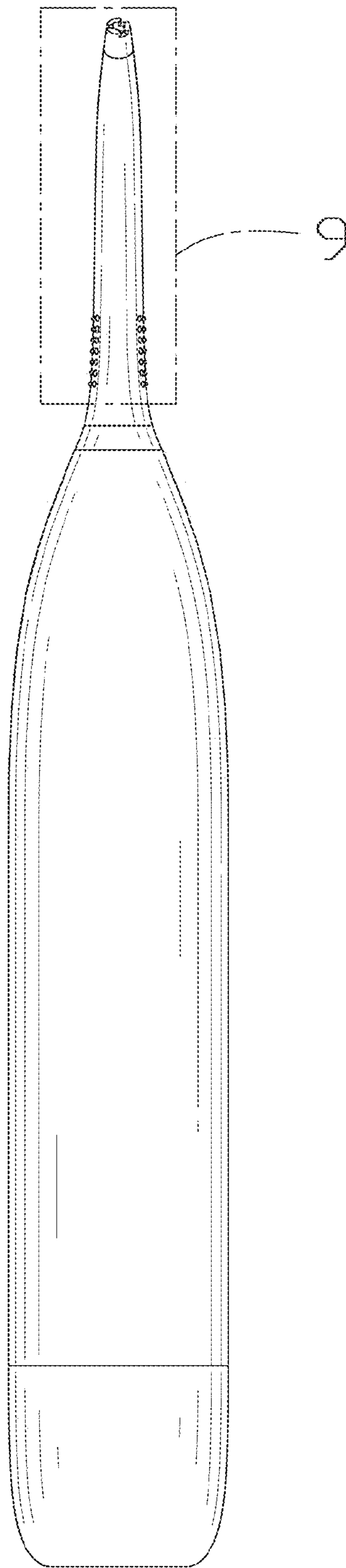


FIG. 3

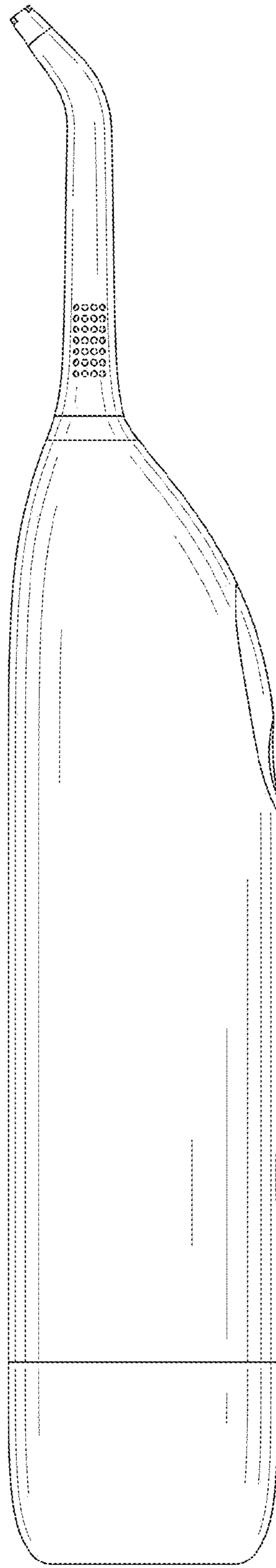


FIG. 4

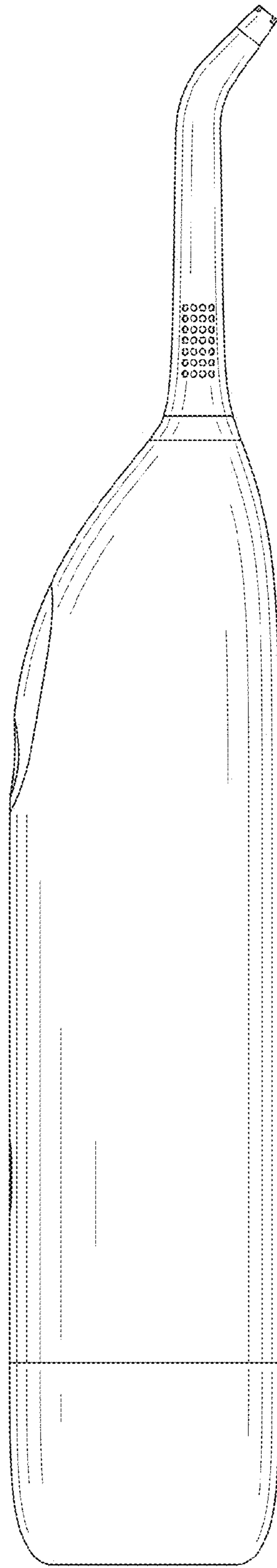


FIG. 5

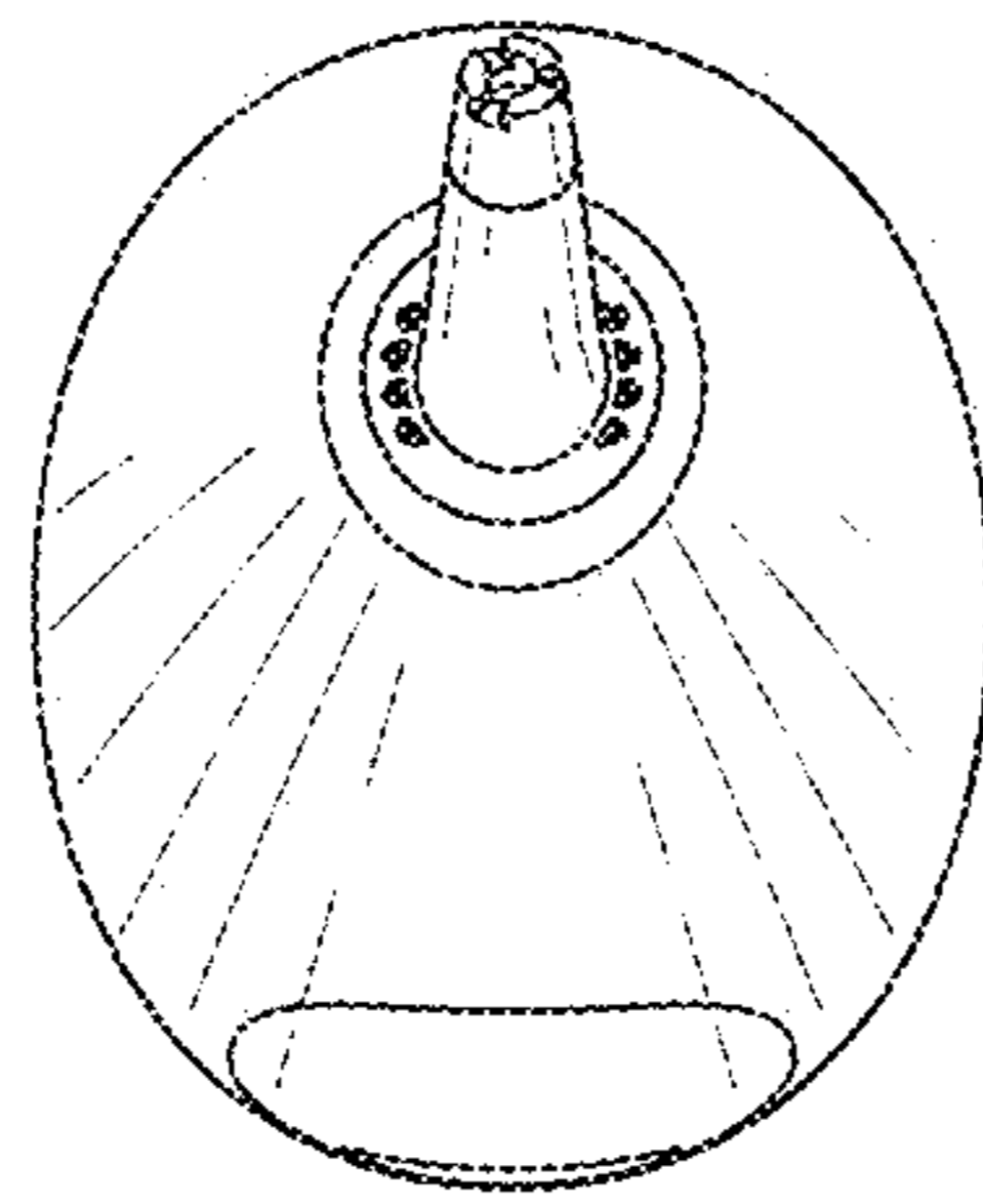


FIG. 6

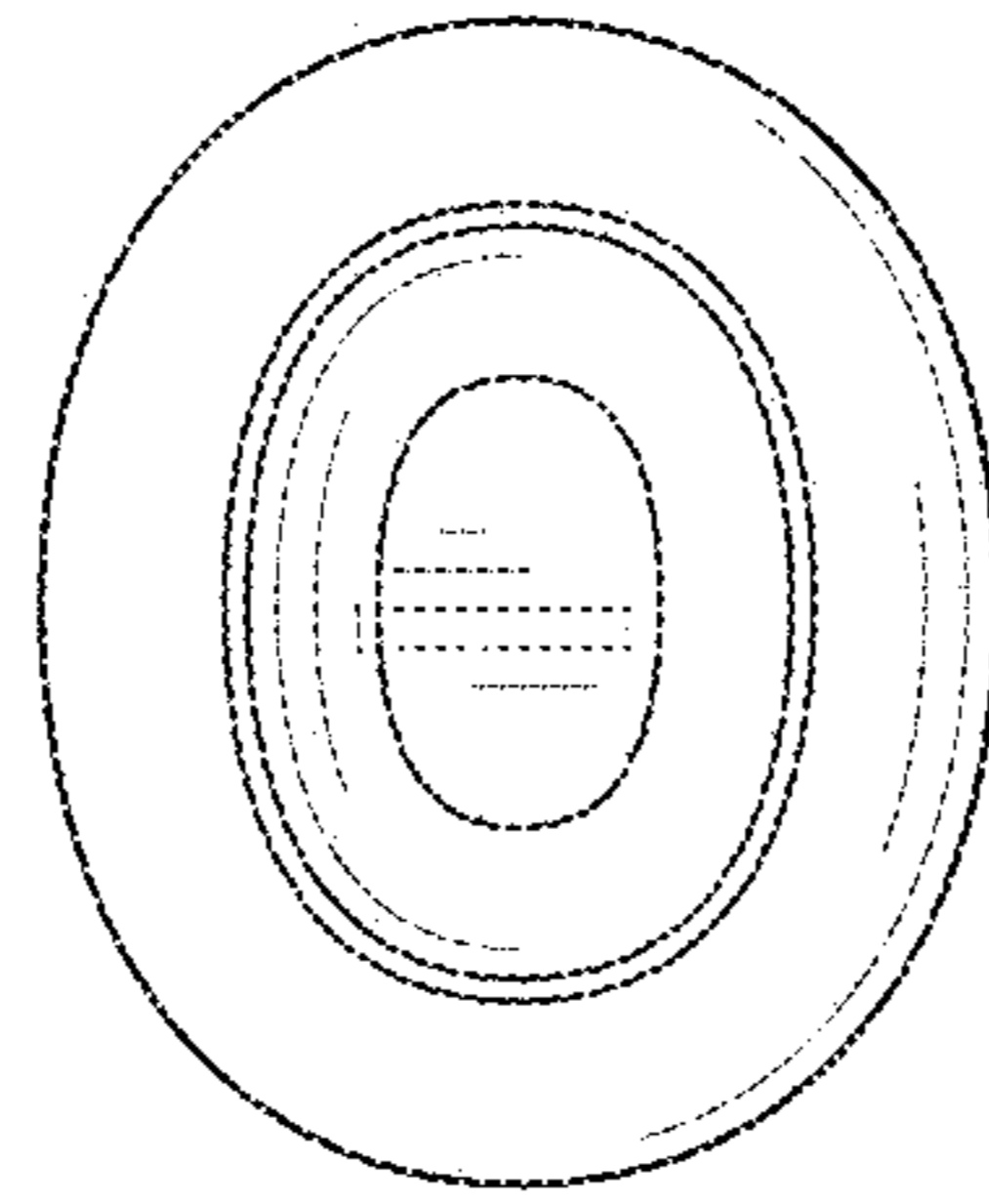


FIG. 7



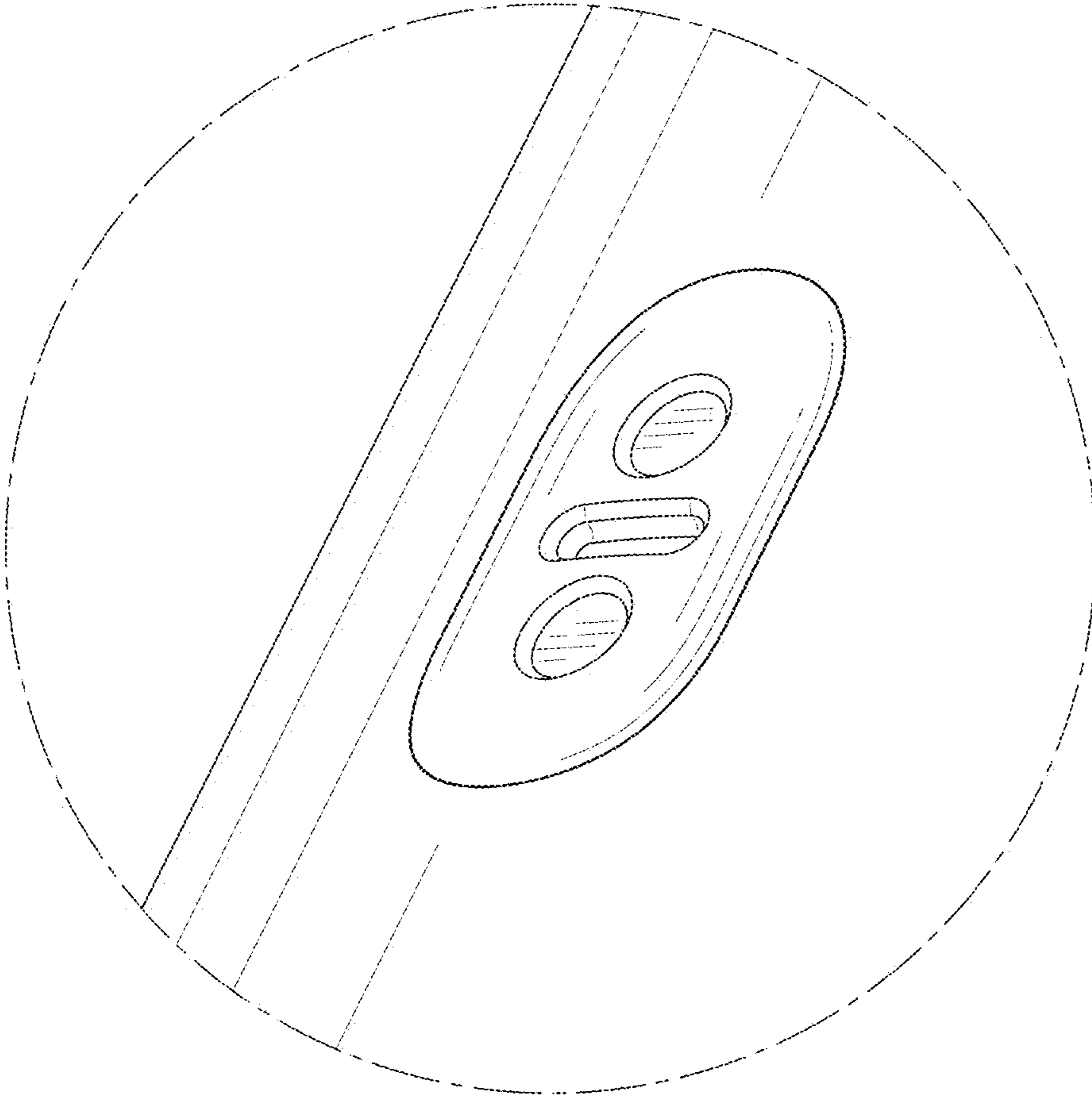


FIG. 8

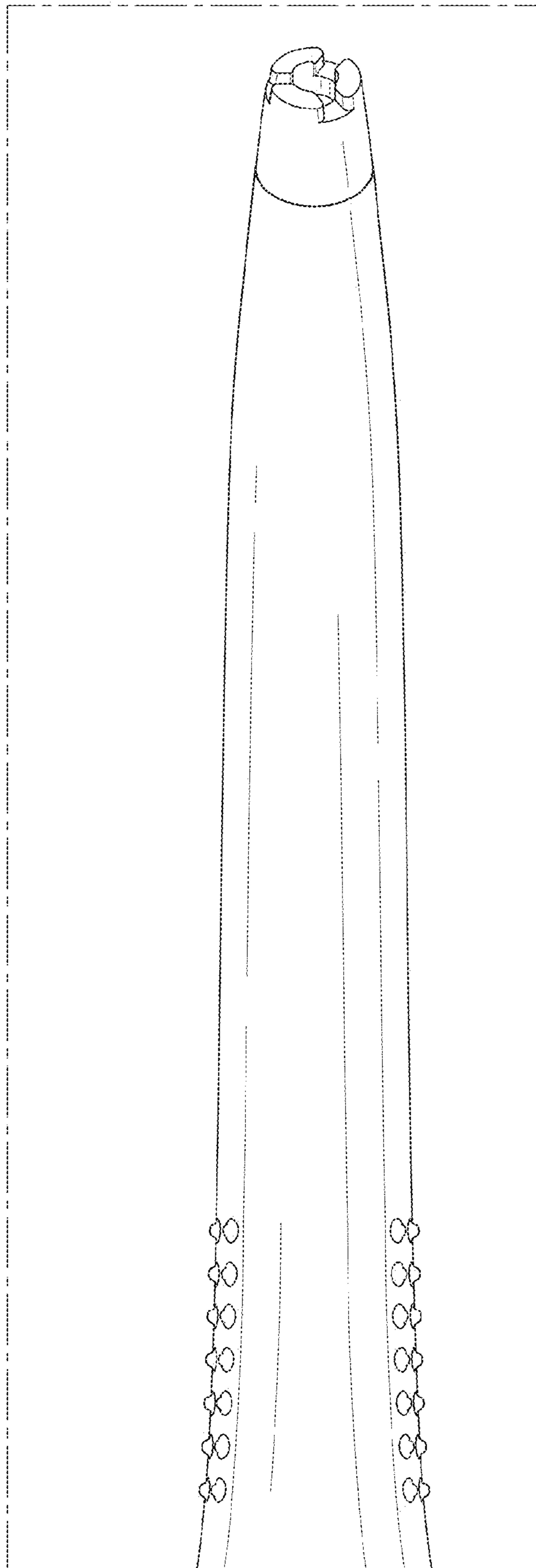


FIG. 9