



US00D941460S

(12) **United States Design Patent** (10) **Patent No.:** **US D941,460 S**
Zhang (45) **Date of Patent:** **** Jan. 18, 2022**

(54) **JOINT OF A BREAST PUMP**
(71) Applicant: **Shu Ting Zhang**, Jingshan (CN)
(72) Inventor: **Shu Ting Zhang**, Jingshan (CN)
(**) Term: **15 Years**

D814,018 S * 3/2018 Emmenegger D24/109
D815,272 S * 4/2018 Emmenegger D24/109
D886,985 S * 6/2020 Subbanna D24/109
2018/0021492 A1* 1/2018 Furrer A61M 1/064
604/74
2018/0028733 A1* 2/2018 Rigert A61M 1/066
2019/0275222 A1* 9/2019 Evans A61M 1/064
2019/0365609 A1* 12/2019 Le A61M 1/066

(21) Appl. No.: **29/713,026**
(22) Filed: **Nov. 13, 2019**

FOREIGN PATENT DOCUMENTS

EM 006054060-0001 1/2019

(30) **Foreign Application Priority Data**

* cited by examiner

Jul. 19, 2019 (CN) 201930386776.5

Primary Examiner — Sheryl Lane

(51) **LOC (13) Cl.** **24-02**

Assistant Examiner — Aula Soroush

(52) **U.S. Cl.**

(74) *Attorney, Agent, or Firm* — Michael Best & Friedrich LLP

USPC **D24/109**

(58) **Field of Classification Search**

(57) **CLAIM**

USPC D24/107-109, 111, 113, 127, 185, 193,
D24/197; D9/500, 549; D7/700

The ornamental design for a joint of a breast pump, as shown and described.

CPC A61M 1/00; A61M 1/06; A61M 1/062;
A61M 1/064; A61M 1/80; A61M 1/82;
A61M 1/0001; A61M 2205/502; A61M
2205/8206; A61M 2205/07; A61M
2205/505; A61M 2205/071; A61M
2205/075; A61M 2205/123; A61J 9/00;
A61J 13/00; A61J 2200/50; A61J 2200/76
See application file for complete search history.

DESCRIPTION

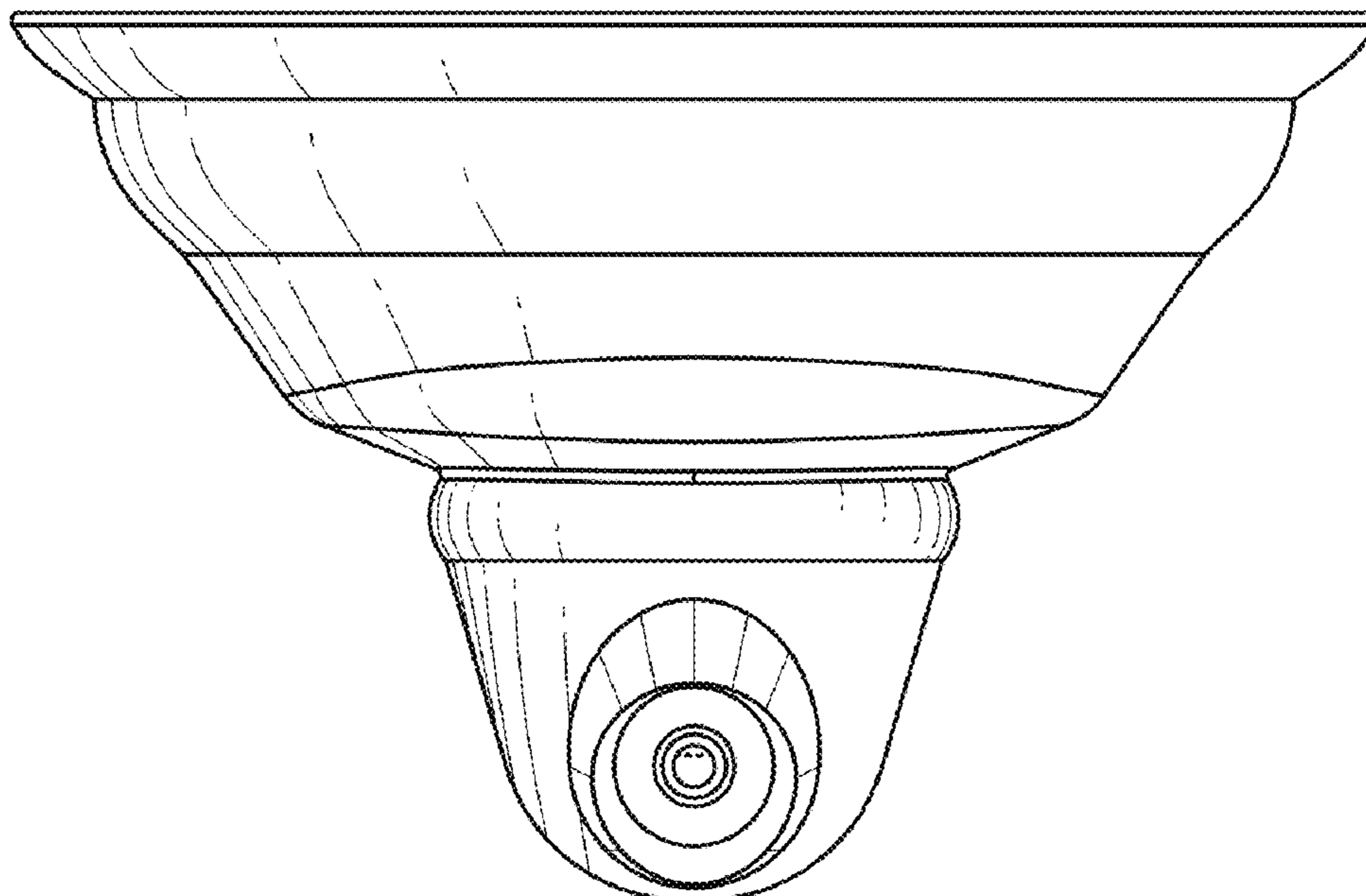
(56) **References Cited**

FIG. 1 is a front view of the design for a joint of a breast pump;
FIG. 2 is a rear view thereof;
FIG. 3 is a left view thereof;
FIG. 4 is a right view thereof;
FIG. 5 is a top view thereof;
FIG. 6 is a bottom view thereof;
FIG. 7 is a first perspective view thereof;
FIG. 8 is a second perspective view thereof; and,
FIG. 9 is a third perspective view thereof.
The broken lines shown in the figures depict portions of the joint of the breast pump that form no part of the claimed design.

U.S. PATENT DOCUMENTS

D251,015 S * 2/1979 Cone 604/74
D564,656 S * 3/2008 Matsutori D24/109
D676,956 S * 2/2013 Kirchner D24/109
D683,442 S * 5/2013 Cudworth D24/109
D688,785 S * 8/2013 Cudworth
D783,803 S * 4/2017 Rigert D24/109
D810,924 S * 2/2018 Emmenegger D24/109

1 Claim, 5 Drawing Sheets



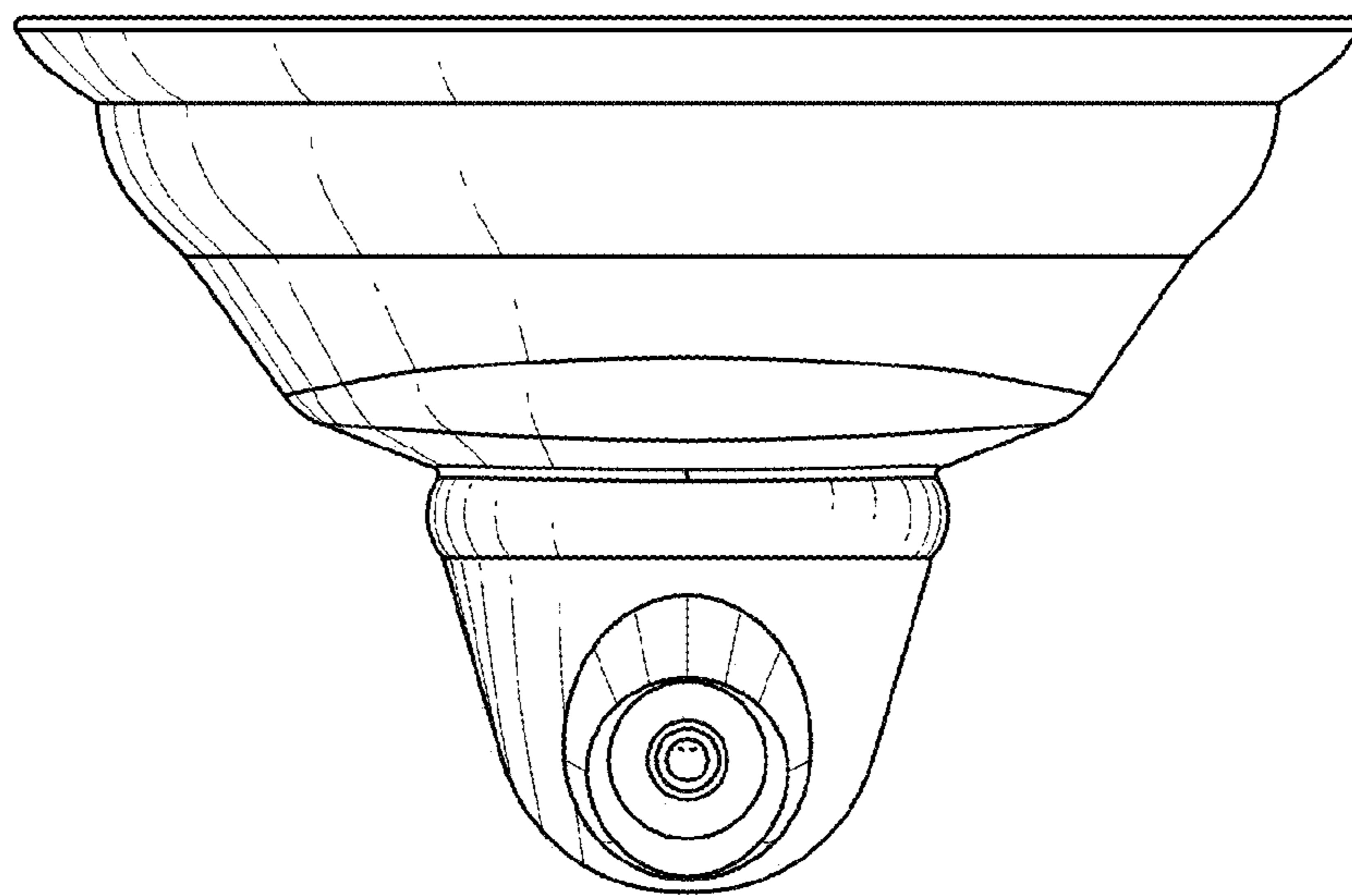


FIG. 1

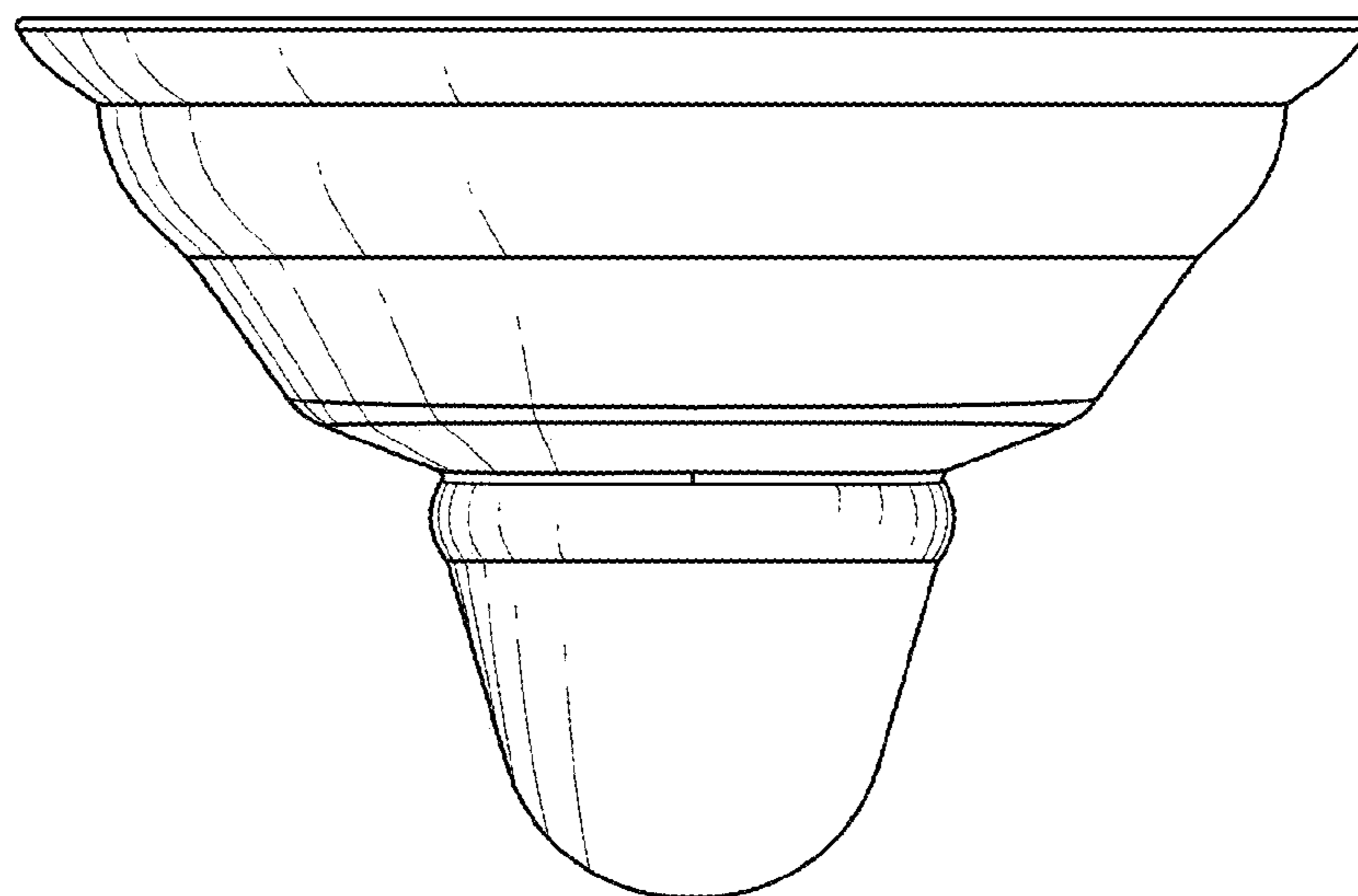


FIG. 2

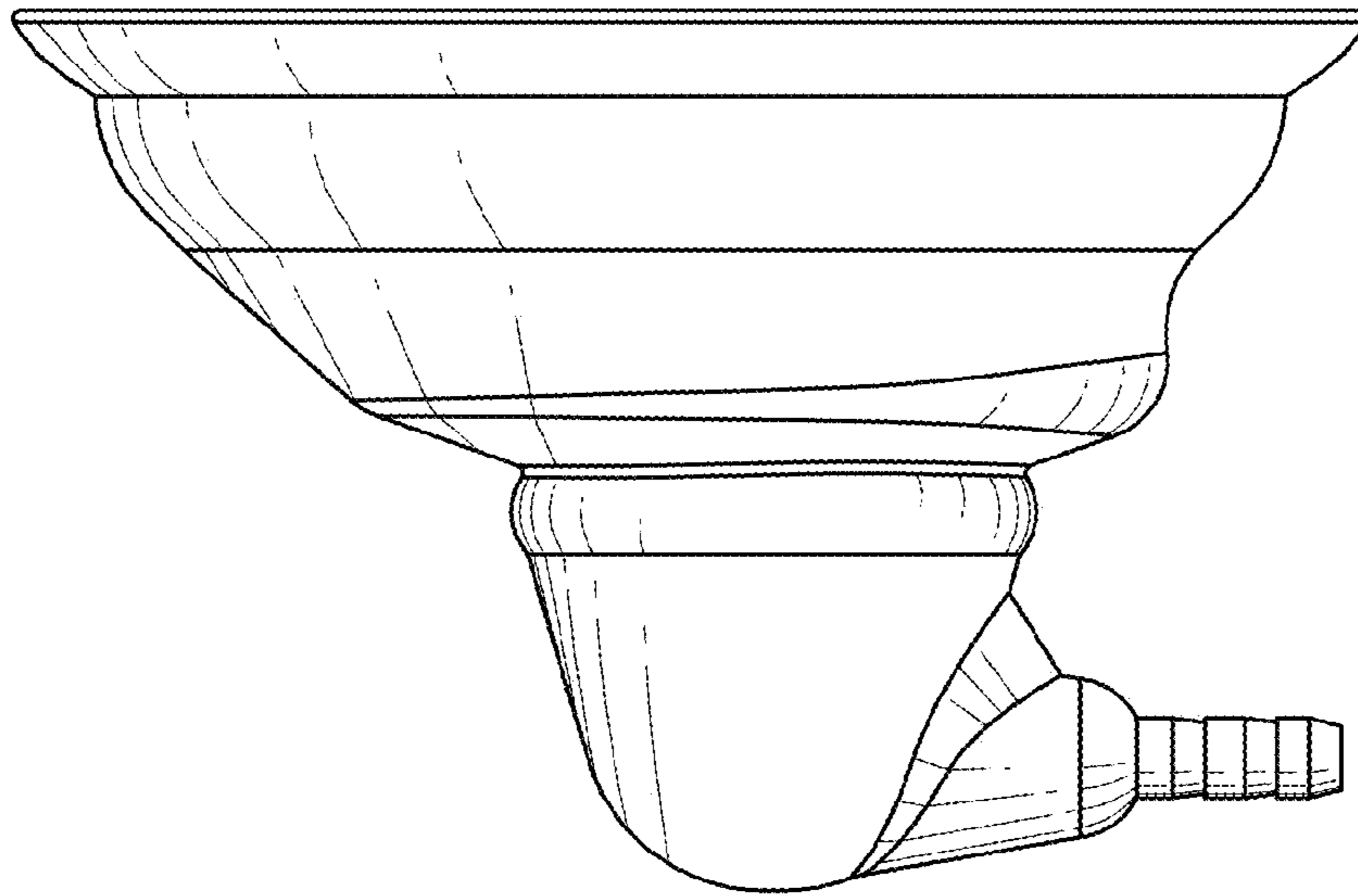


FIG. 3

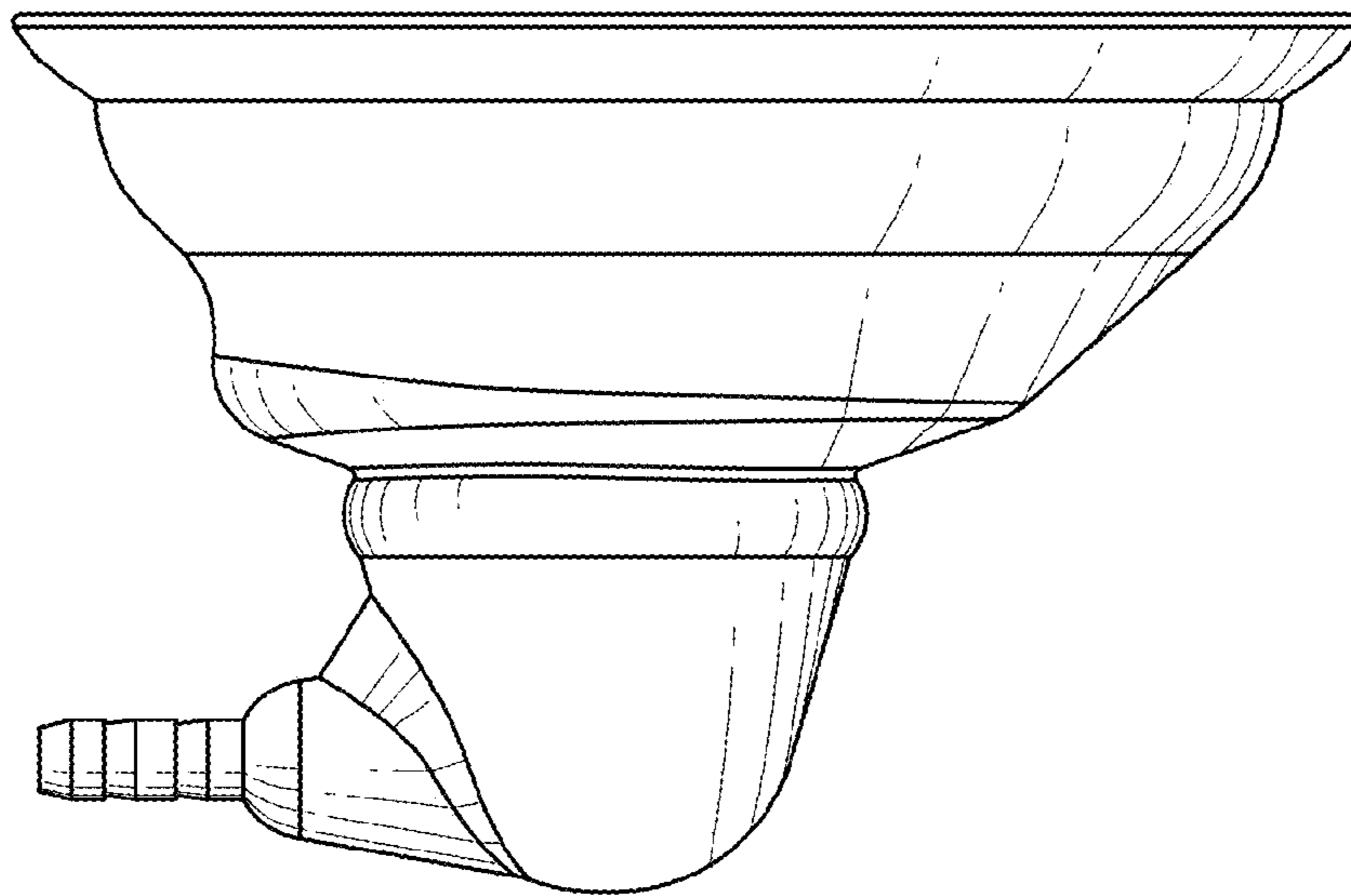


FIG. 4

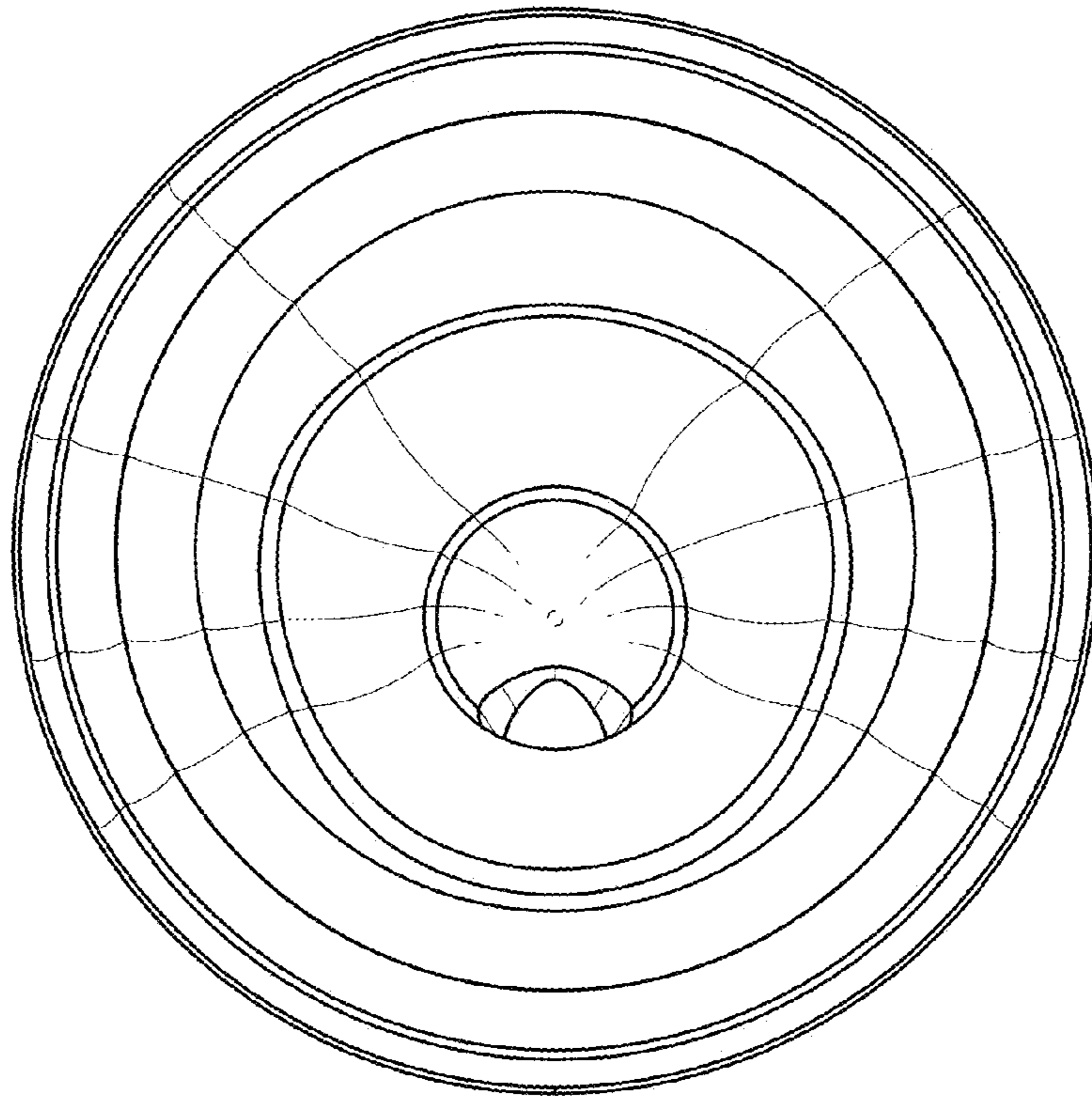


FIG. 5

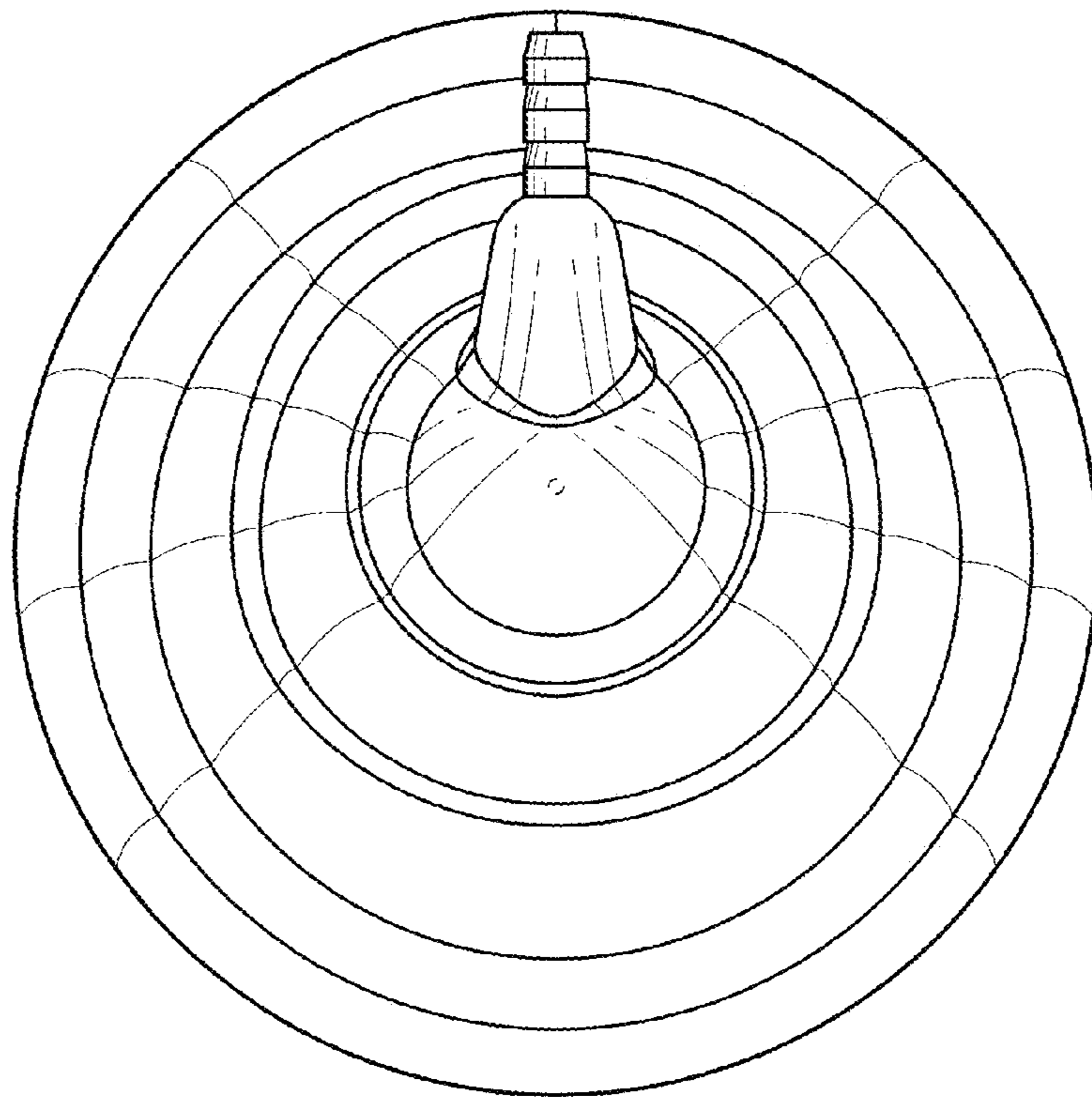


FIG. 6

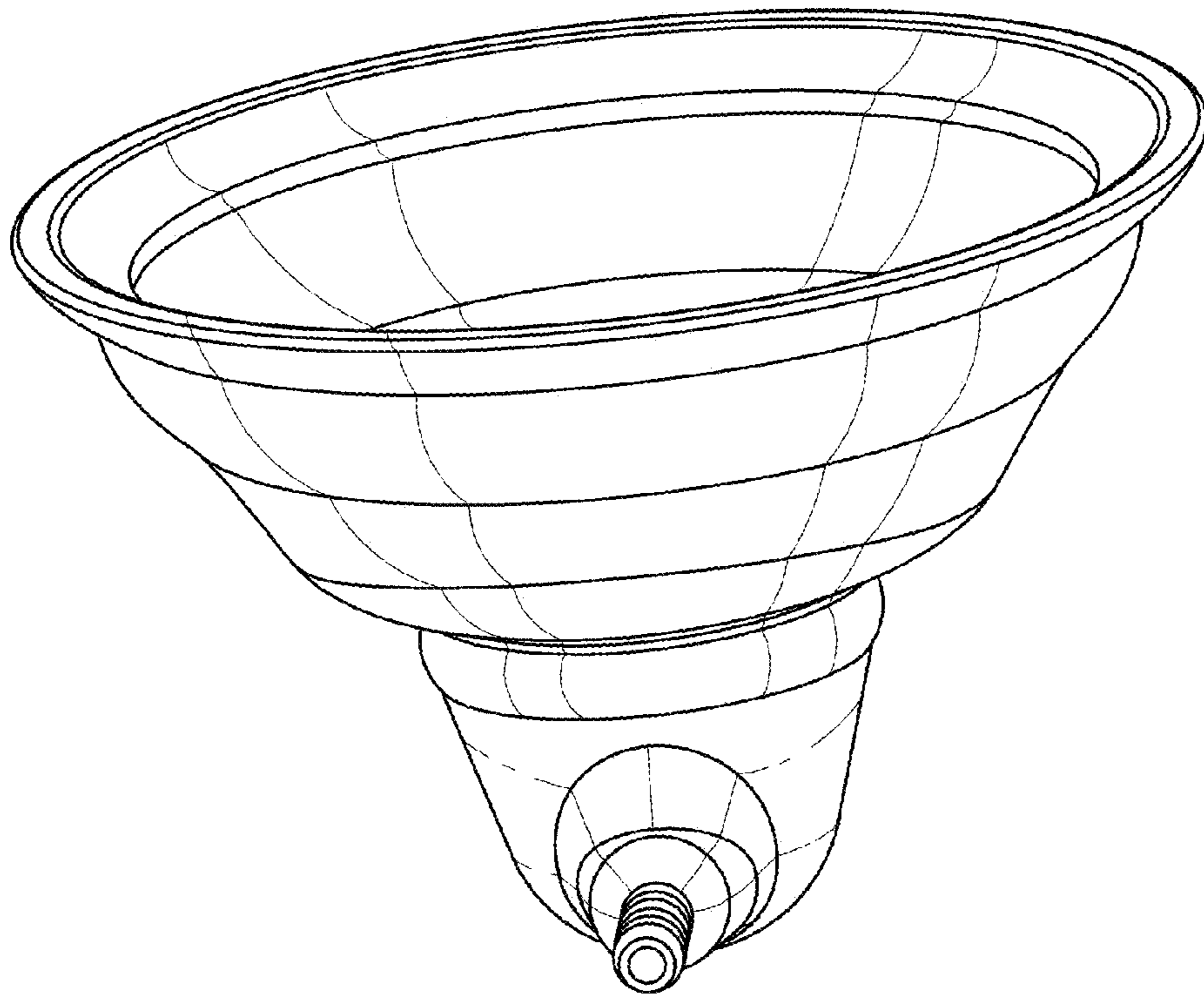


FIG. 7

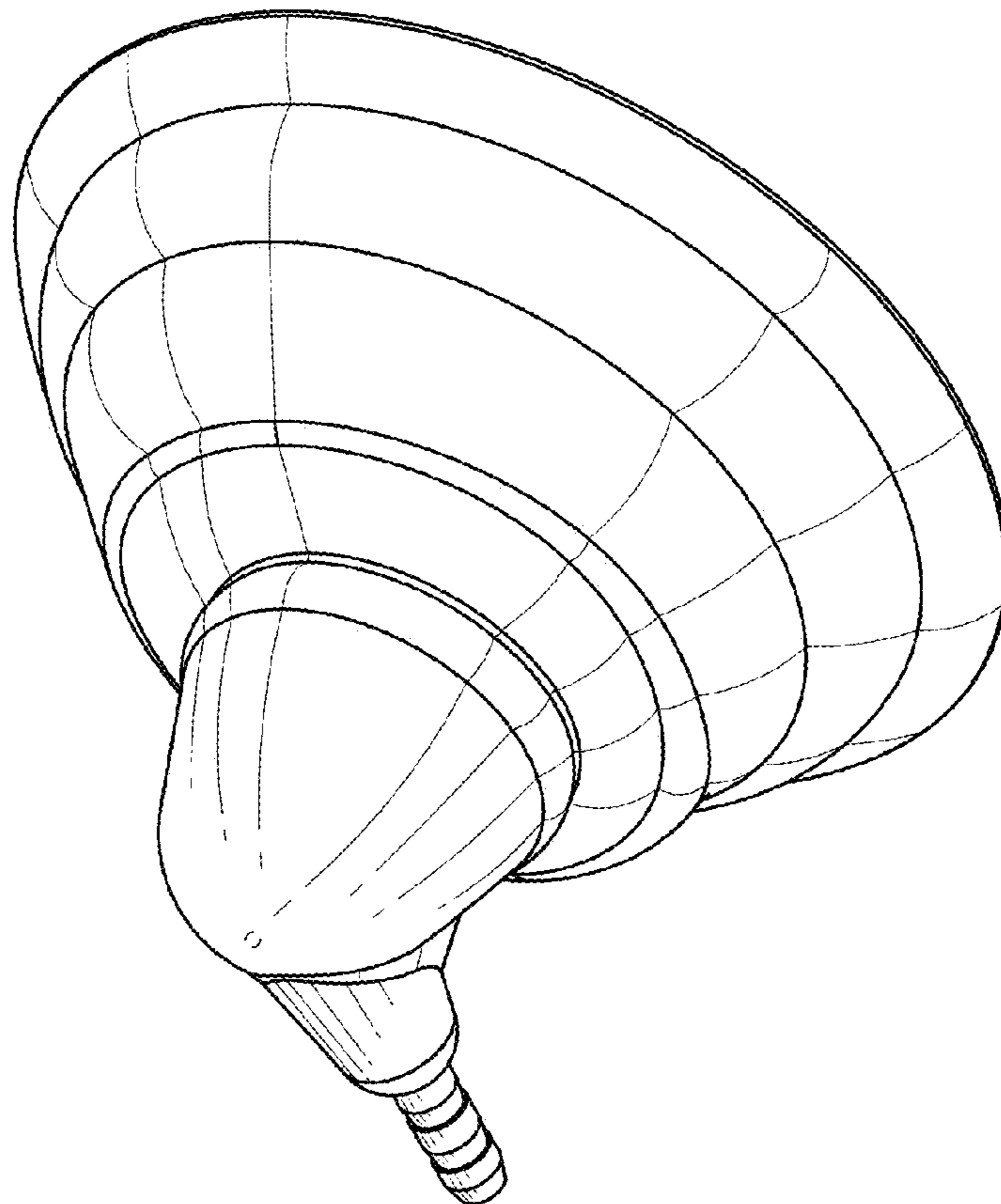


FIG. 8

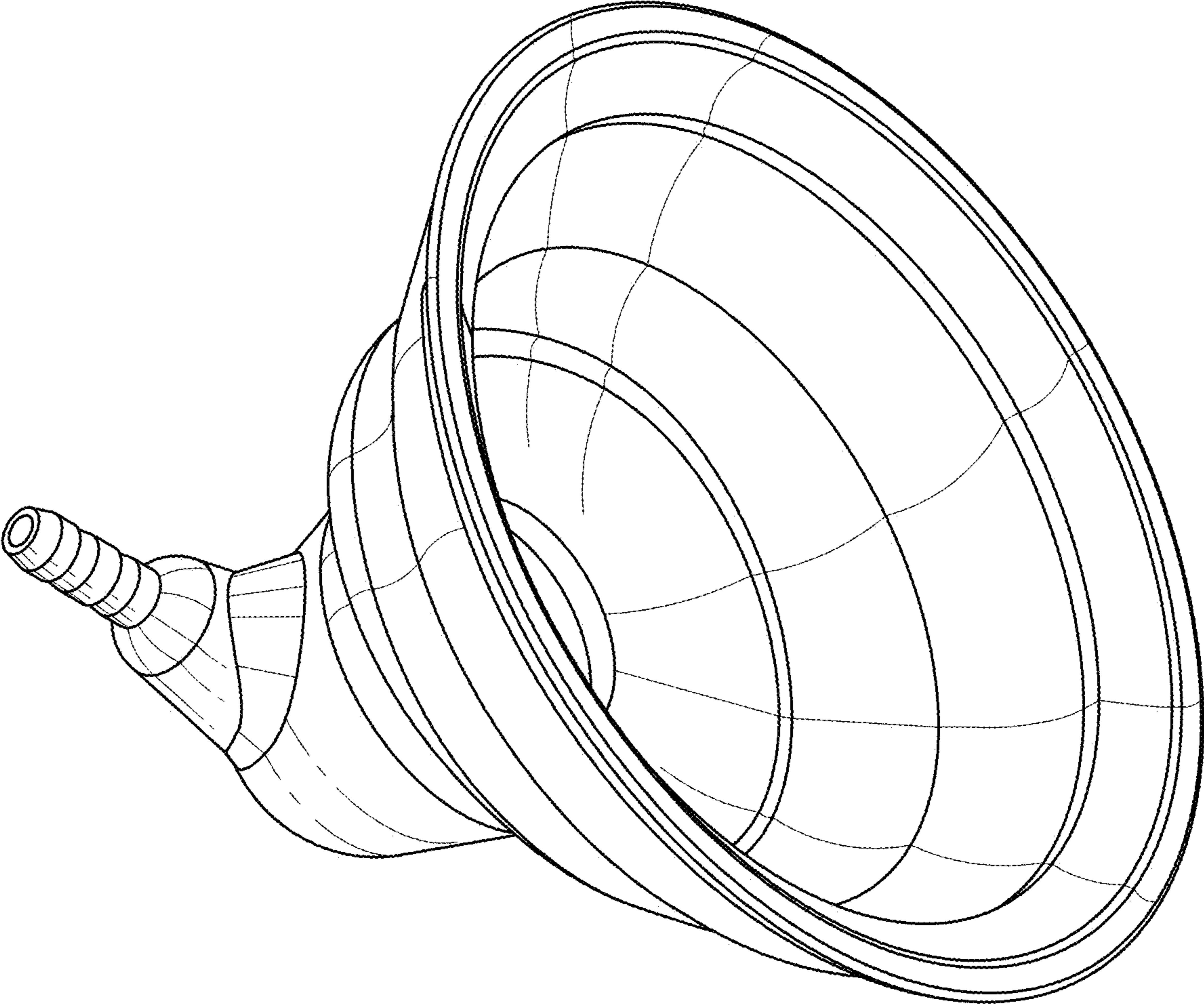


FIG.9