



US00D941459S

(12) **United States Design Patent**  
**Soss et al.**

(10) **Patent No.:** **US D941,459 S**  
(45) **Date of Patent:** **\*\* Jan. 18, 2022**

(54) **EAR TIP**

(71) Applicant: **OTTO ENGINEERING, INC.**,  
Carpentersville, IL (US)  
(72) Inventors: **Edward Soss**, Algonquin, IL (US);  
**Shaun Pinderski**, Palatine, IL (US);  
**Mark Johnson**, Cary, IL (US)  
(73) Assignee: **OTTO ENGINEERING, INC.**,  
Carpentersville, IL (US)

(\*\*) Term: **15 Years**

(21) Appl. No.: **29/743,736**

(22) Filed: **Jul. 23, 2020**

(51) **LOC (13) Cl.** ..... **28-01**

(52) **U.S. Cl.**

USPC ..... **D24/106**

(58) **Field of Classification Search**

USPC ..... D14/223, 205, 206; D24/106, 174;  
128/864, 865, 866; 181/129, 130, 135;  
379/430, 431; 381/380, 381, 322-324,  
381/330; 455/90.3, 575, 1, 569.1  
CPC ..... H04R 1/10; H04R 25/00; H04R 1/1016;  
H04R 1/1066; H04R 5/033; H04R  
5/0335; H04R 1/1091; H04R 1/1058;  
H04R 1/105; H04R 1/1083

See application file for complete search history.

(56) **References Cited**

**U.S. PATENT DOCUMENTS**

D195,322 S \* 5/1963 Hill ..... D24/106  
D298,356 S \* 11/1988 Falco ..... D24/106  
4,936,411 A \* 6/1990 Leonard ..... A61F 11/08  
128/864  
5,113,967 A \* 5/1992 Killion ..... A61F 11/08  
181/132

D372,776 S \* 8/1996 Leight ..... D24/106  
D427,304 S \* 6/2000 Magidson ..... D24/106  
D492,765 S \* 7/2004 Falco ..... A61F 11/08  
D24/106  
D535,644 S \* 1/2007 Drambarean ..... D14/223  
D560,792 S \* 1/2008 Miller ..... A61F 11/08  
D24/106  
7,314,047 B2 \* 1/2008 Falco ..... A61F 11/08  
128/864  
D624,999 S \* 10/2010 Turdjian ..... A61F 11/08  
D24/106  
D768,860 S \* 10/2016 Lu ..... D24/173  
2015/0139474 A1 \* 5/2015 Henry ..... H04R 1/1016  
381/380

\* cited by examiner

*Primary Examiner* — Katie Jane Stofko

(74) *Attorney, Agent, or Firm* — McAndrews, Held & Malloy, Ltd.

(57) **CLAIM**

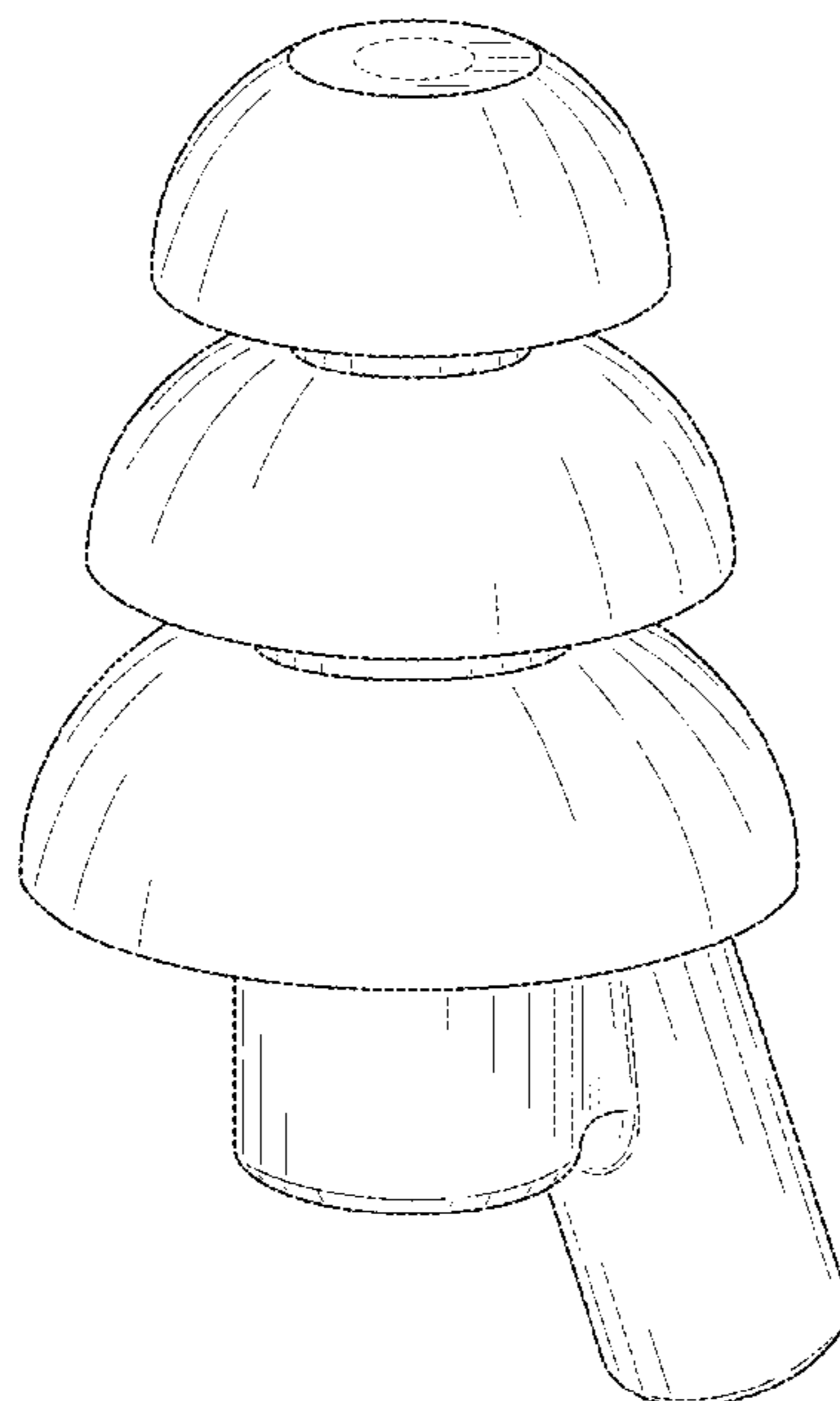
The ornamental design for an ear tip, as shown and described.

**DESCRIPTION**

FIG. 1 is a front, right side and top perspective view of an ear tip showing our new design;  
FIG. 2 is a front elevation view thereof;  
FIG. 3 is a rear elevation view thereof;  
FIG. 4 is a right side elevation view thereof;  
FIG. 5 is a left side elevation view thereof;  
FIG. 6 is a top plan view thereof;  
FIG. 7 is a bottom plan view thereof; and,  
FIG. 8 is a rear, left side and bottom perspective view thereof.

The dashed broken lines in the figures illustrate portions of the ear tip that form no part of the claimed design.

**1 Claim, 5 Drawing Sheets**



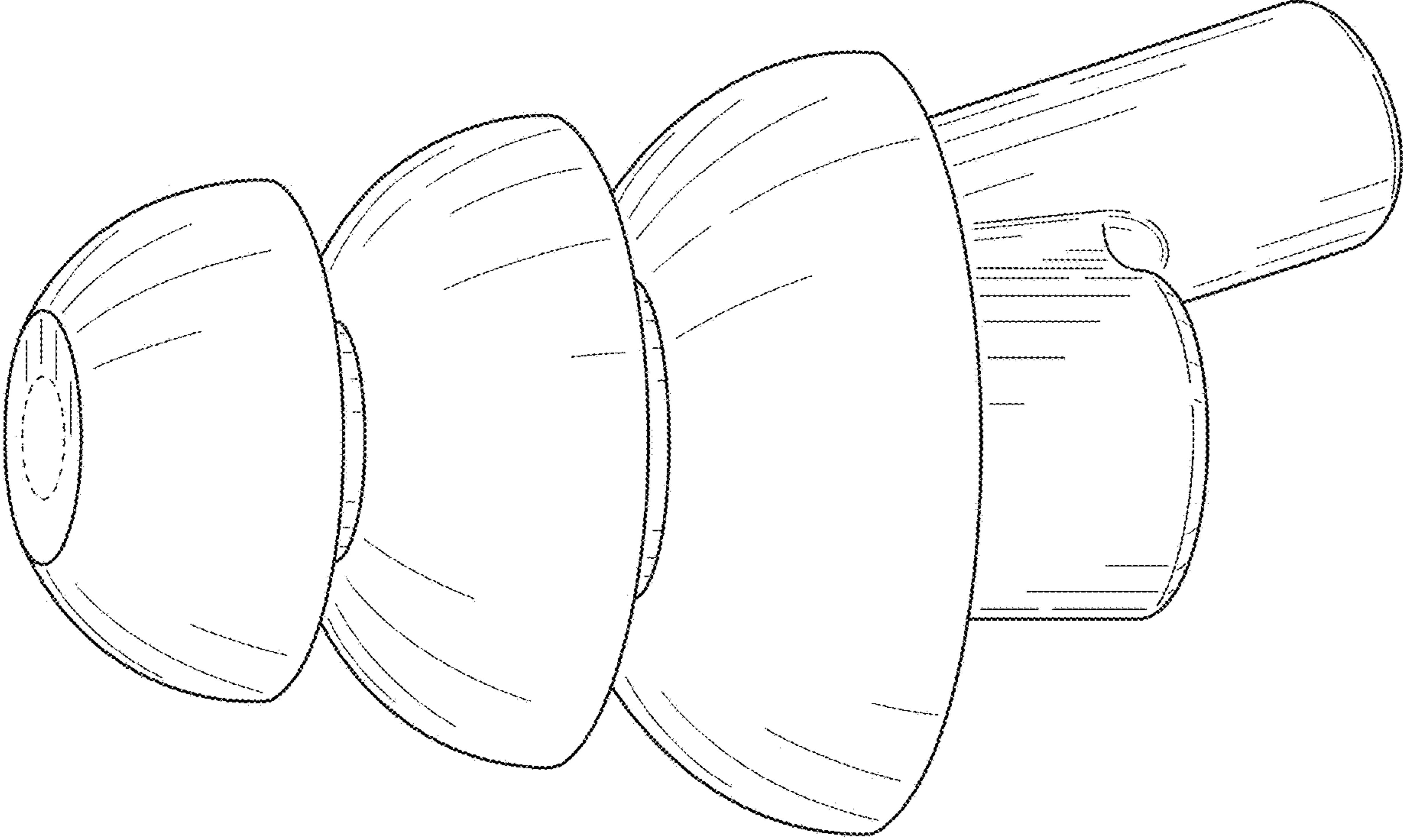


FIG. 1

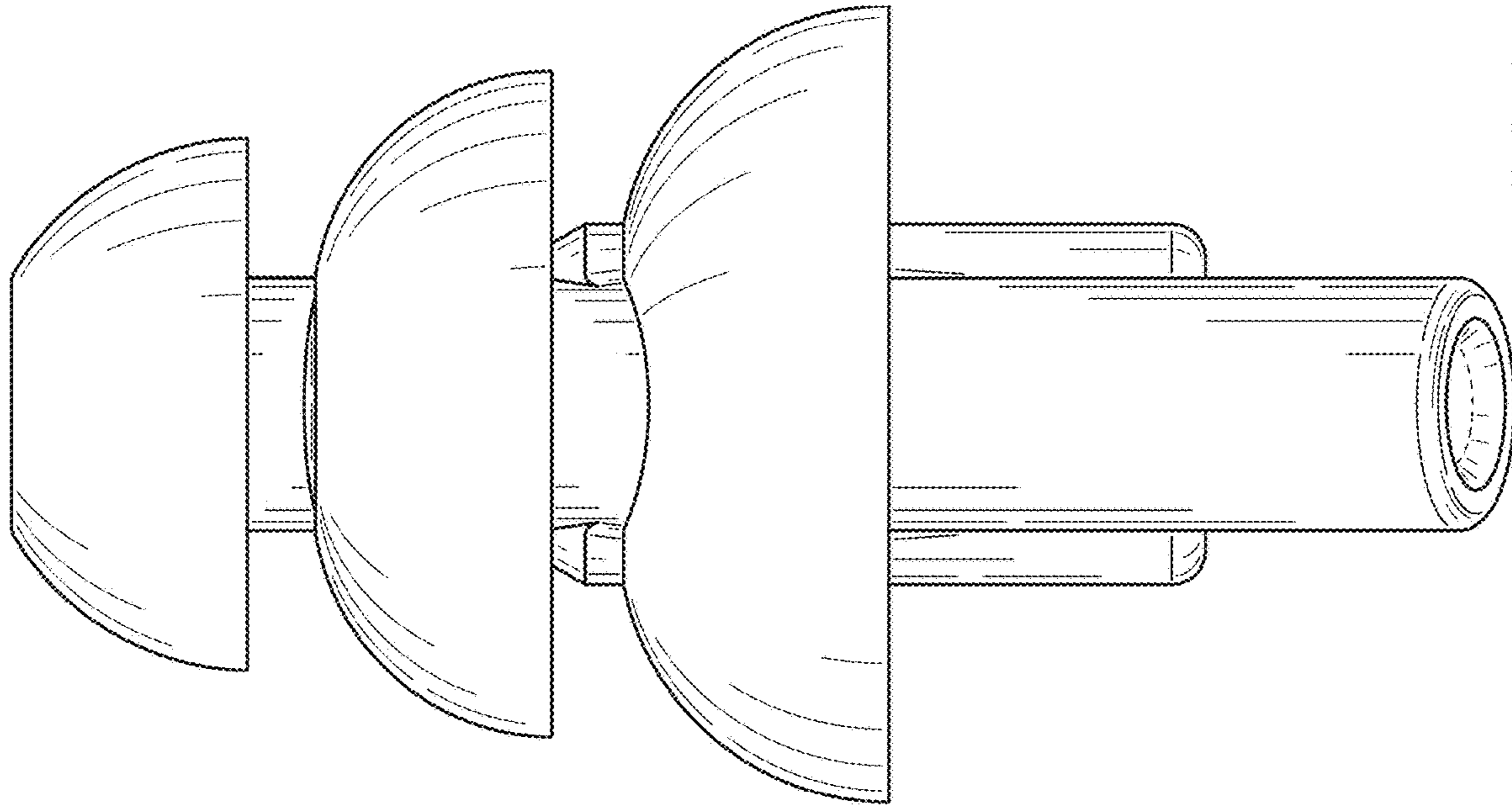


FIG. 3

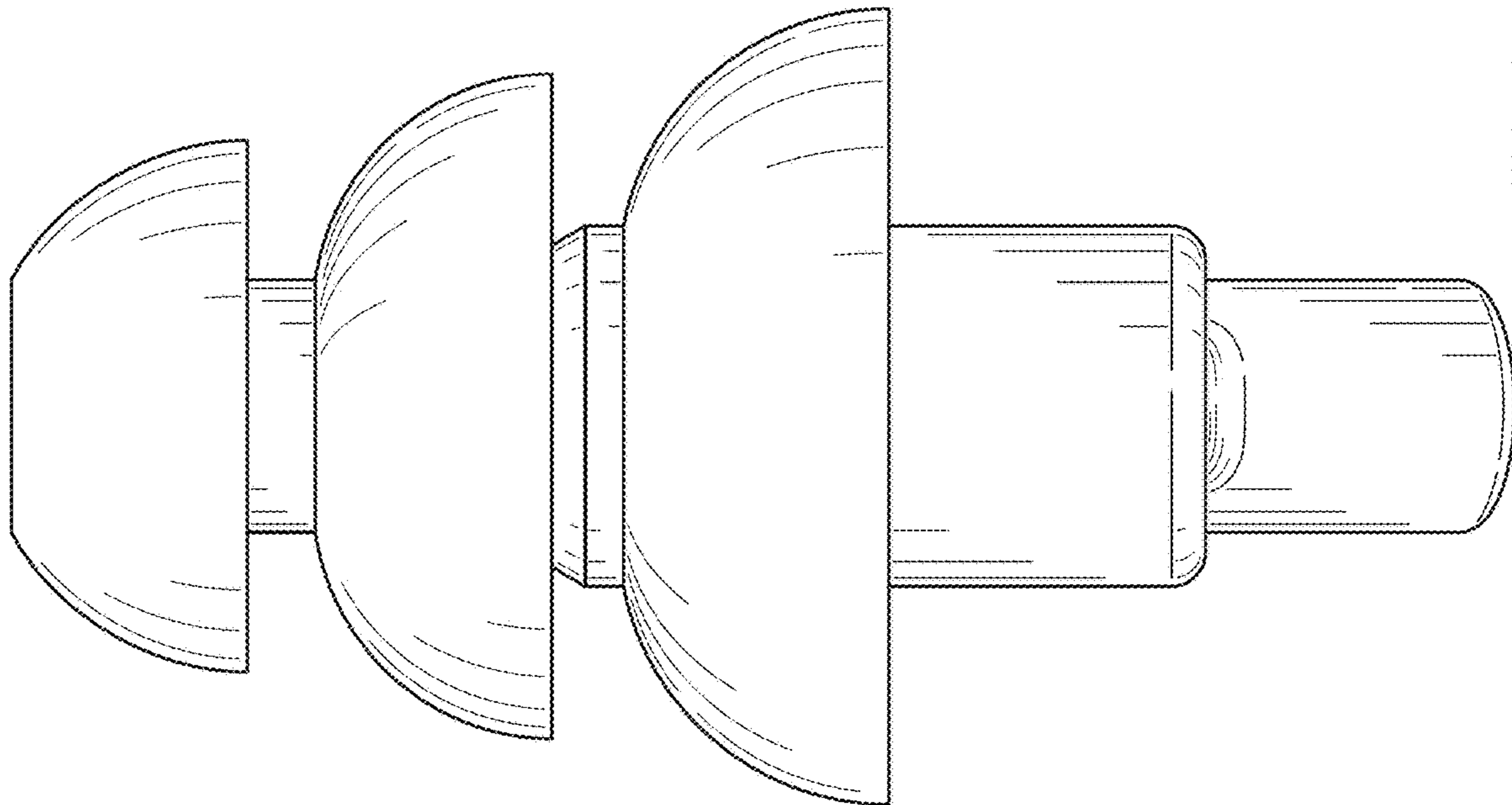


FIG. 2

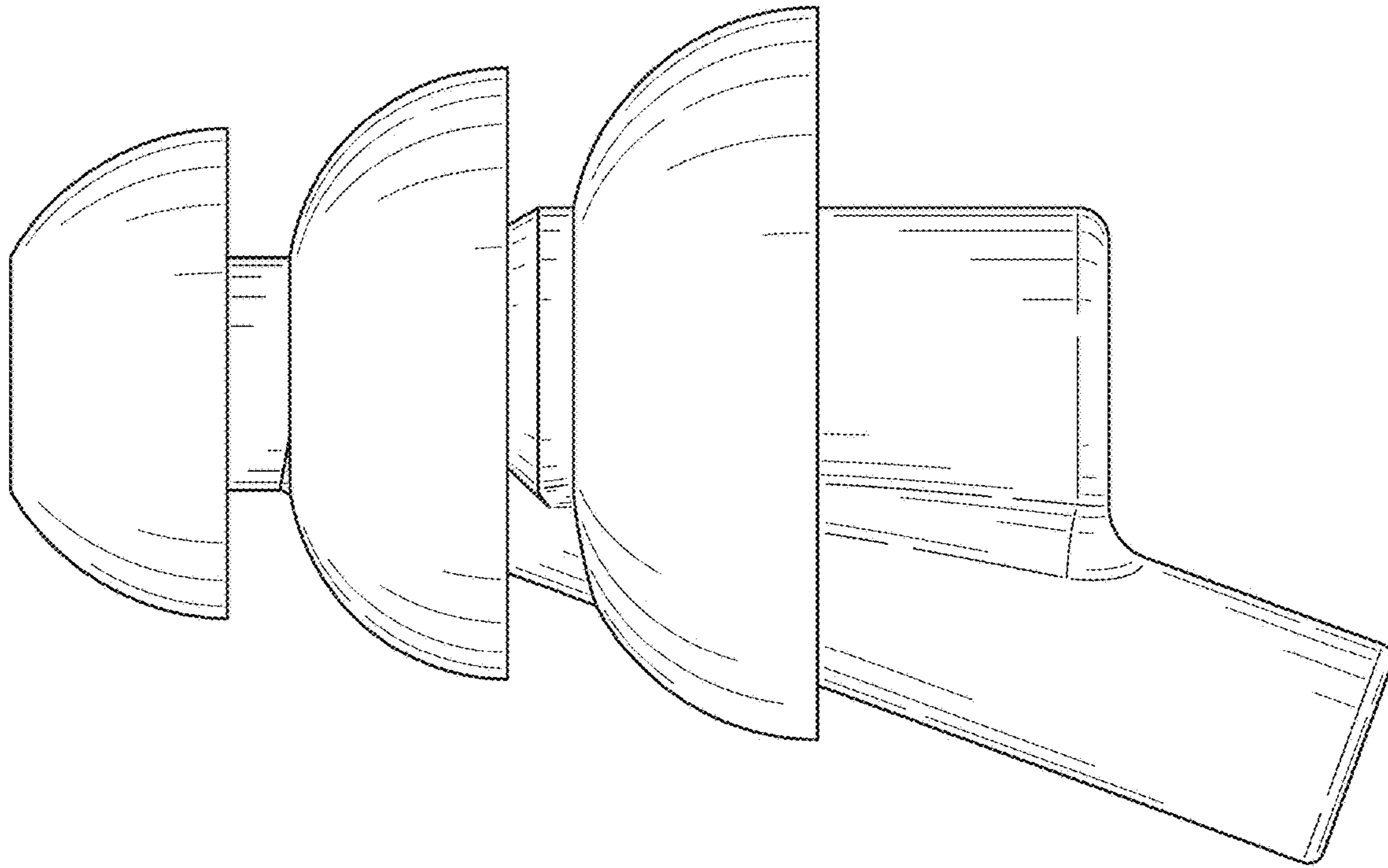


FIG. 5

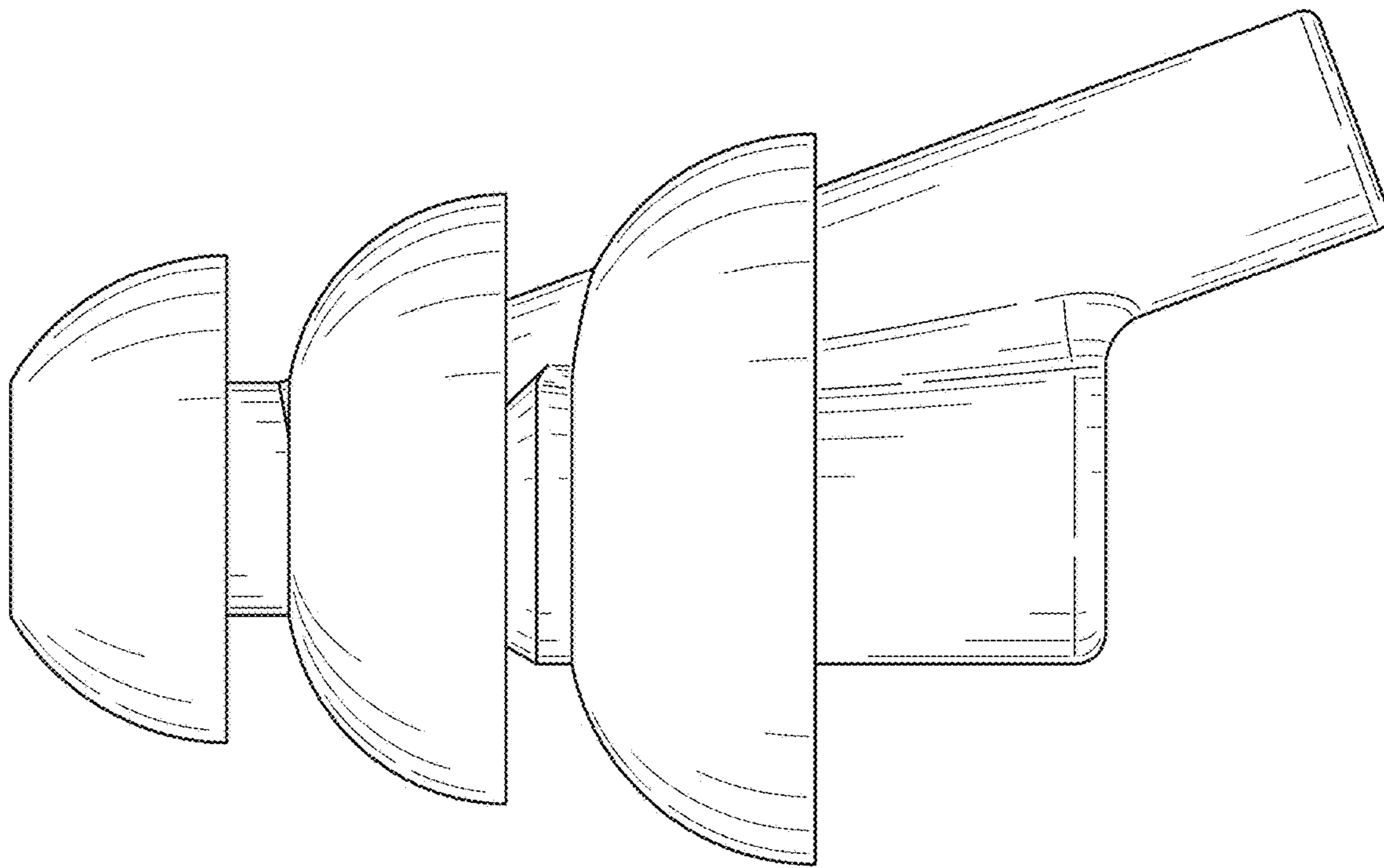


FIG. 4

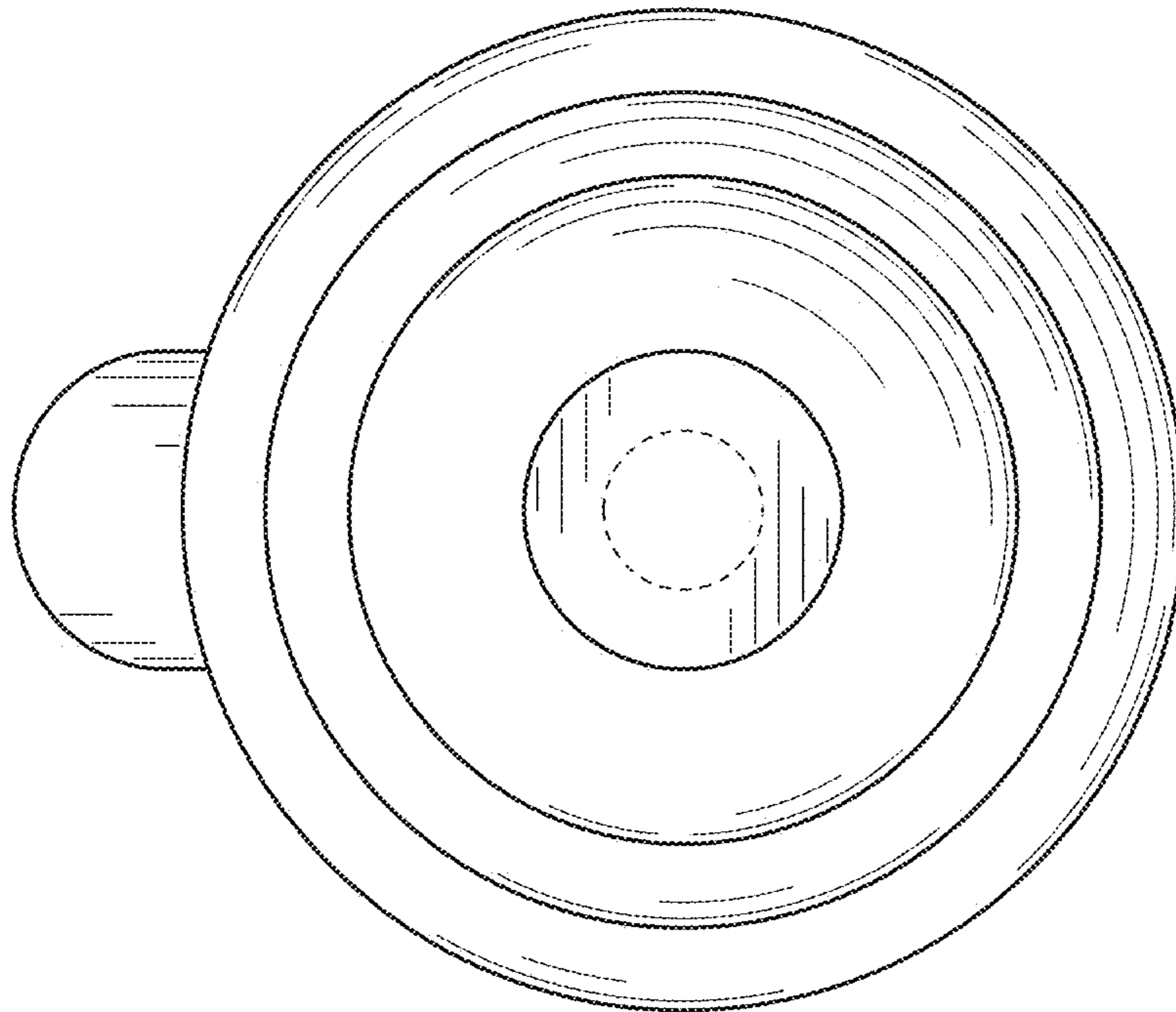


FIG. 6

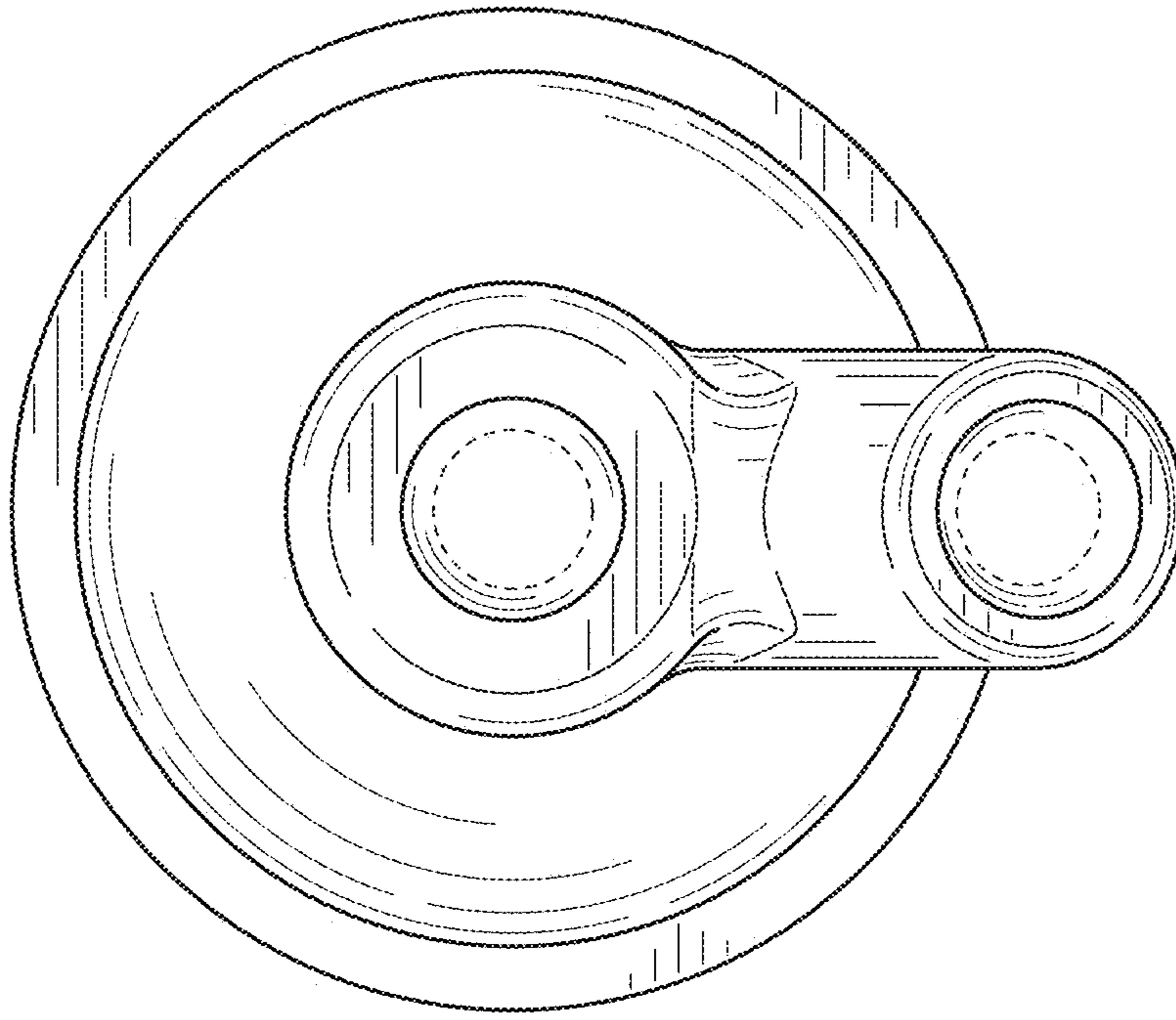


FIG. 7

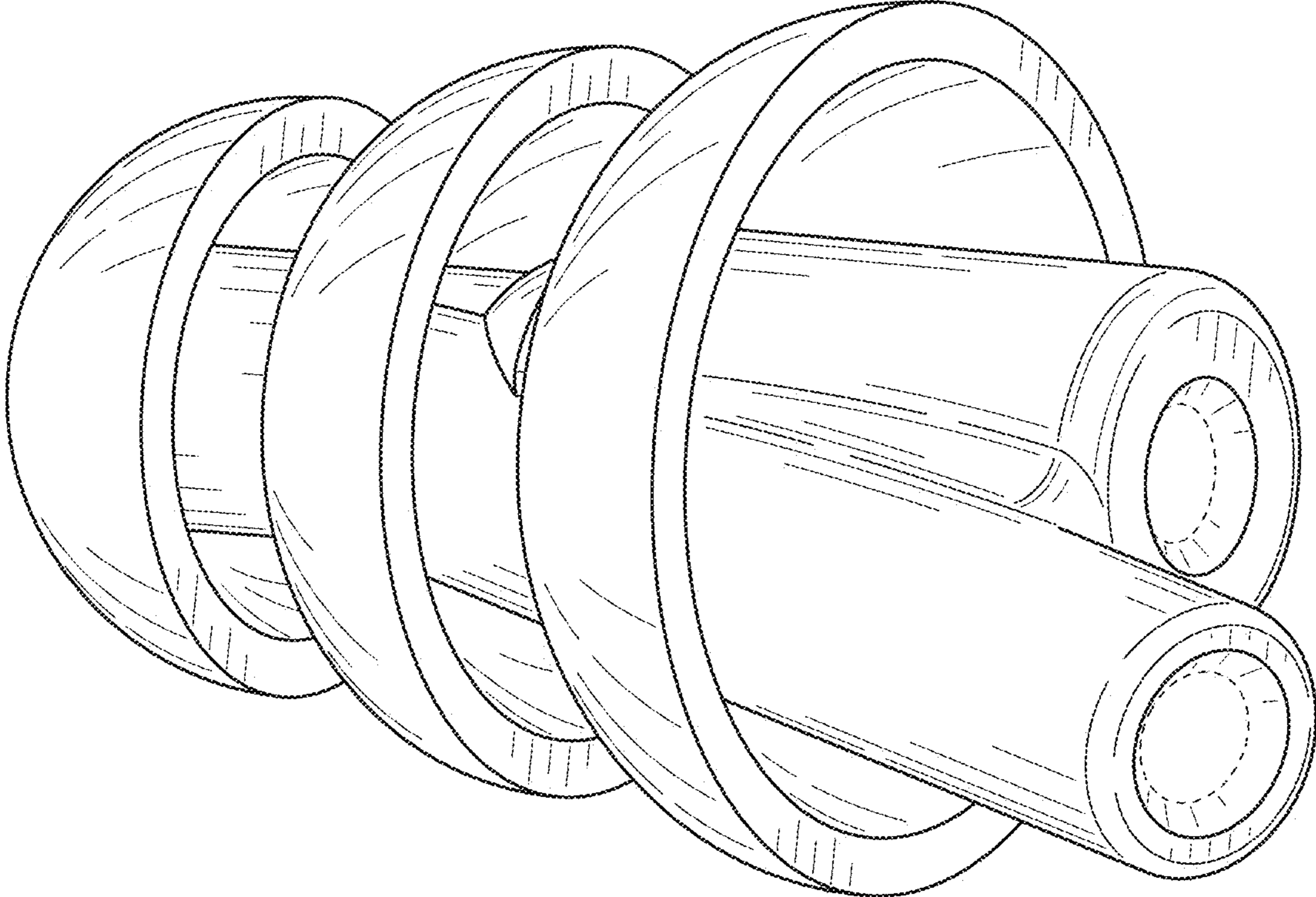


FIG. 8