



US00D941458S

(12) **United States Design Patent** (10) **Patent No.:** **US D941,458 S**
Adams et al. (45) **Date of Patent:** **** Jan. 18, 2022**

(54) **DIETARY SUPPLEMENT** 3,113,076 A 12/1963 Jacobs
D231,417 S * 4/1974 Maiola D1/121
(71) Applicant: **Nutramax Laboratories, Inc.,** 4,139,589 A 2/1979 Beringer et al.
Lancaster, SC (US) 4,215,104 A * 7/1980 Ullman A61K 9/2072
424/467
(72) Inventors: **Brian Adams**, Lancaster, SC (US); 4,803,076 A 2/1989 Ranade
David Griffin, Forest Hill, MD (US); D310,579 S * 9/1990 Ni D24/103
Hubert Ratkowski, Simpsonville, SC 5,516,530 A 5/1996 Lo et al.
(US) 5,728,400 A 3/1998 Battist et al.
D429,866 S * 8/2000 Zhang D1/121
D439,391 S * 3/2001 Sheen D1/101
(73) Assignee: **Nutramax Laboratories, Inc.,** 6,342,248 B1 1/2002 Miyabe et al.
Lancaster, SC (US) D469,238 S * 1/2003 Bedi D1/121
D473,993 S * 5/2003 Hayes-Jacobson D1/121
(**) Term: **15 Years** (Continued)

(21) Appl. No.: **29/746,031**
(22) Filed: **Aug. 11, 2020**
(51) **LOC (13) Cl.** **28-01**
(52) **U.S. Cl.**
USPC **D24/103; D1/127**
(58) **Field of Classification Search**
USPC D1/100-130, 199; 426/94, 104, 138,
426/143, 144, 274, 283, 303, 391, 512,
426/514, 518, 549; D6/597, 601;
D7/675, 560, 566, 568, 672; D9/451,
D9/643, 707, 710, 715; D28/8.1, 8.2;
D21/385, 386, 707; D24/101-104
CPC . A21C 11/12; A22C 13/0013; A21D 13/0016;
A21D 13/0022; A21D 13/0025; A21D
13/0029; A21D 13/0074; A23G 3/343;
A23G 3/36; A23G 3/28; A23G 3/54;
A23G 4/20; A23G 9/48; A61K 9/2072;
A61K 9/2095; A23L 1/005; A23L 1/0052;
A23L 1/0067; A23L 1/16; A23L 1/1641;
A23L 1/217; A23V 2002/00
See application file for complete search history.

(56) **References Cited**
U.S. PATENT DOCUMENTS
D26,312 S * 11/1896 Brown D1/121
2,052,376 A * 8/1936 Zellers A61J 3/10
424/467

FOREIGN PATENT DOCUMENTS

CA 3123 12/1910
CA 58277 3/1987

(Continued)

Primary Examiner — Katie Jane Stofko

(74) *Attorney, Agent, or Firm* — Dickinson Wright PLLC;
Andrew D. Dorisio

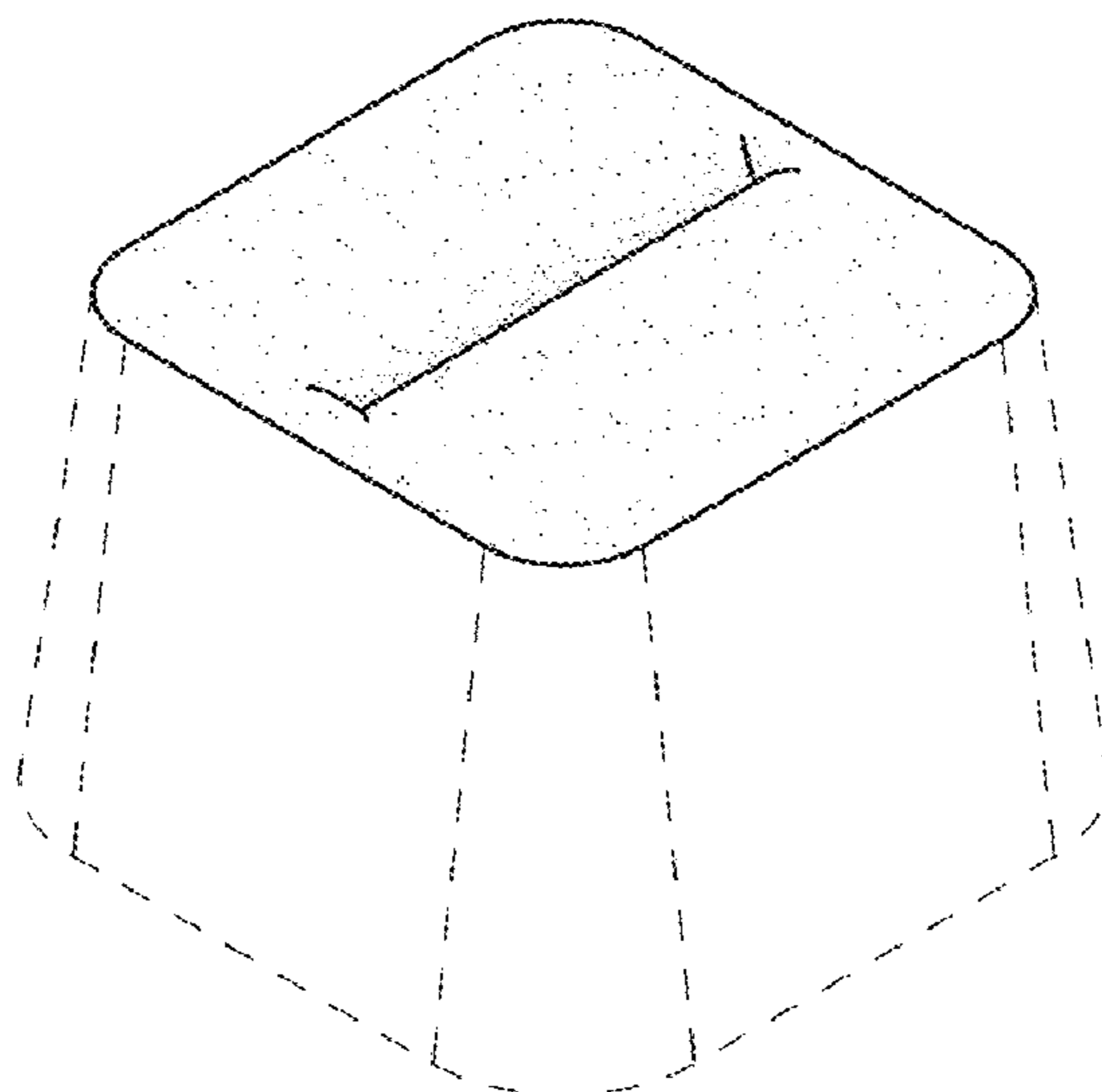
(57) **CLAIM**

The ornamental design for a dietary supplement, as shown
and described.

DESCRIPTION

FIG. 1 is a top perspective view of a dietary supplement
according to our new design;
FIG. 2 is a bottom perspective view thereof;
FIG. 3 is a side view thereof;
FIG. 4 is a top view thereof; and,
FIG. 5 is a bottom view thereof.
The broken line depictions form no part of the claimed
design.

1 Claim, 1 Drawing Sheet



(56)

References Cited

U.S. PATENT DOCUMENTS

D594,181 S * 6/2009 Wilson D1/127
D636,483 S 4/2011 Kempton et al.
D669,573 S 10/2012 Inoue
D697,689 S * 1/2014 Krumholz D1/127
9,179,695 B2 11/2015 Kumiega et al.
D744,192 S * 12/2015 Cole D1/121
9,532,946 B2 1/2017 Kluger et al.
D801,517 S 10/2017 Kassouni
2006/0141009 A1 6/2006 Huron et al.
2006/0193909 A1 8/2006 Stawski et al.
2007/0160670 A1 7/2007 Judy et al.
2008/0213362 A1 * 9/2008 Solomon A61K 9/2072
424/467

FOREIGN PATENT DOCUMENTS

CN 105055349 A 11/2015
JP D1420224 S 7/2011
WO 2001026632 A1 4/2001
WO 2019034763 A1 2/2019

* cited by examiner

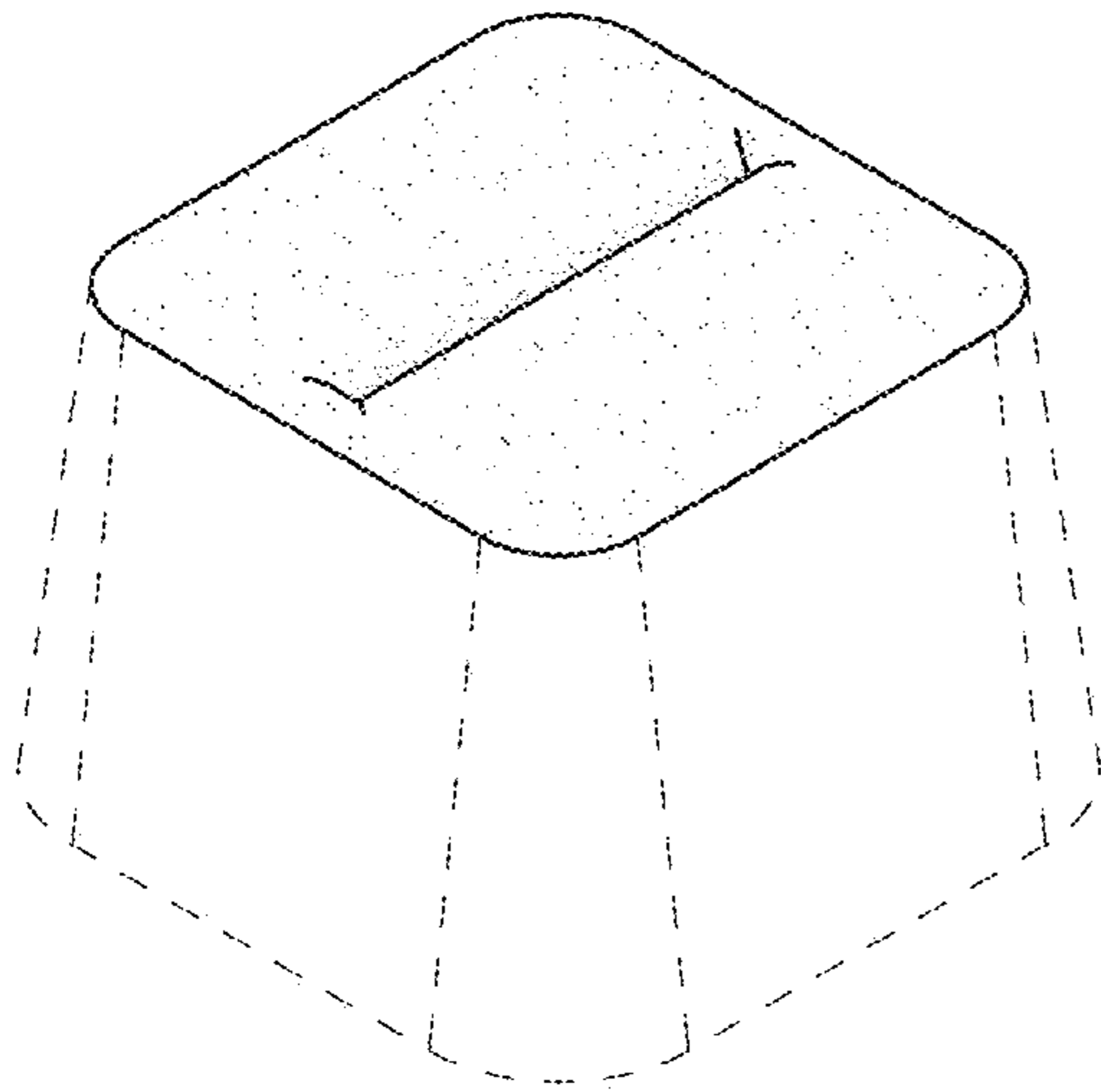


FIG. 1

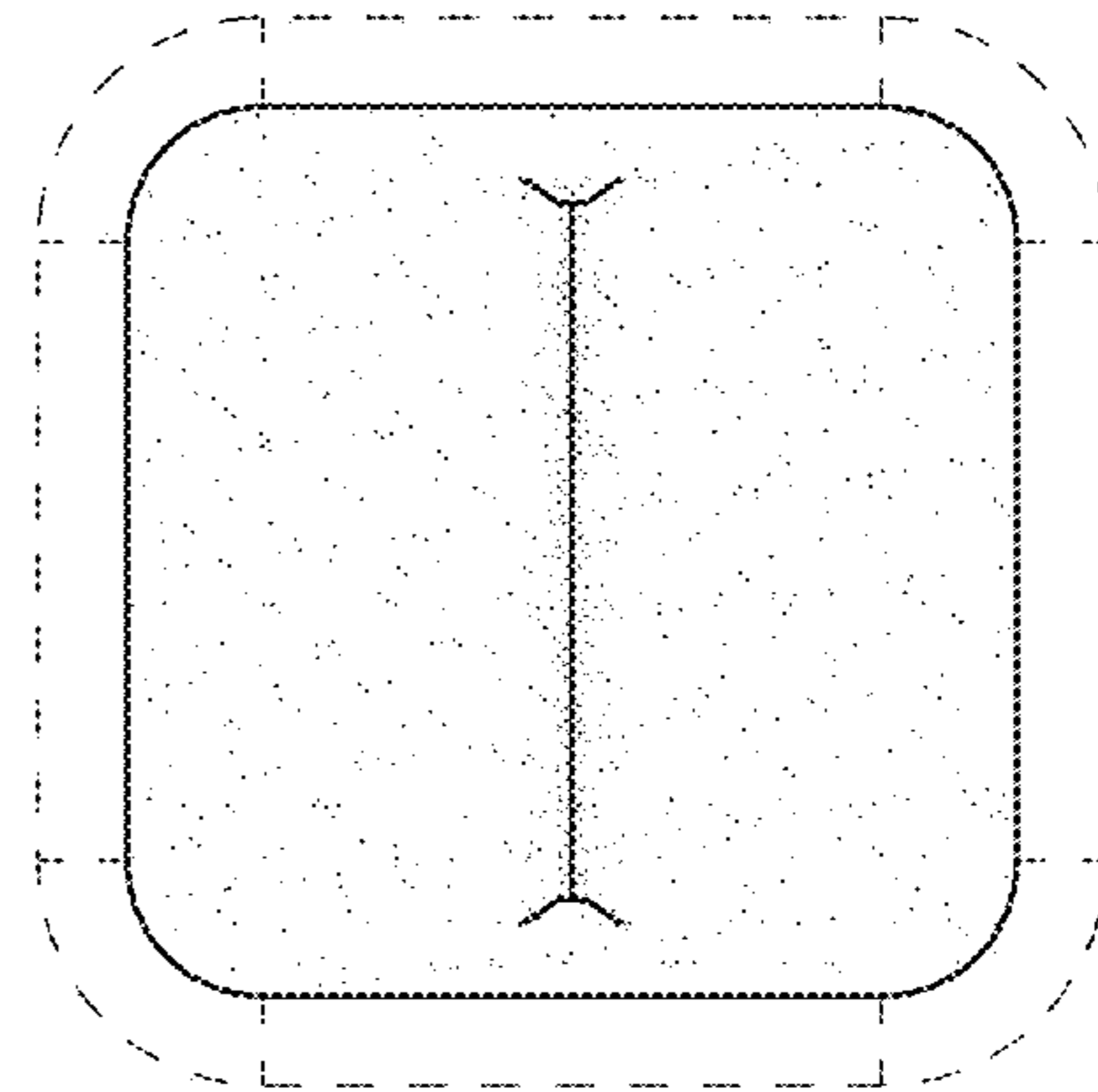


FIG. 4

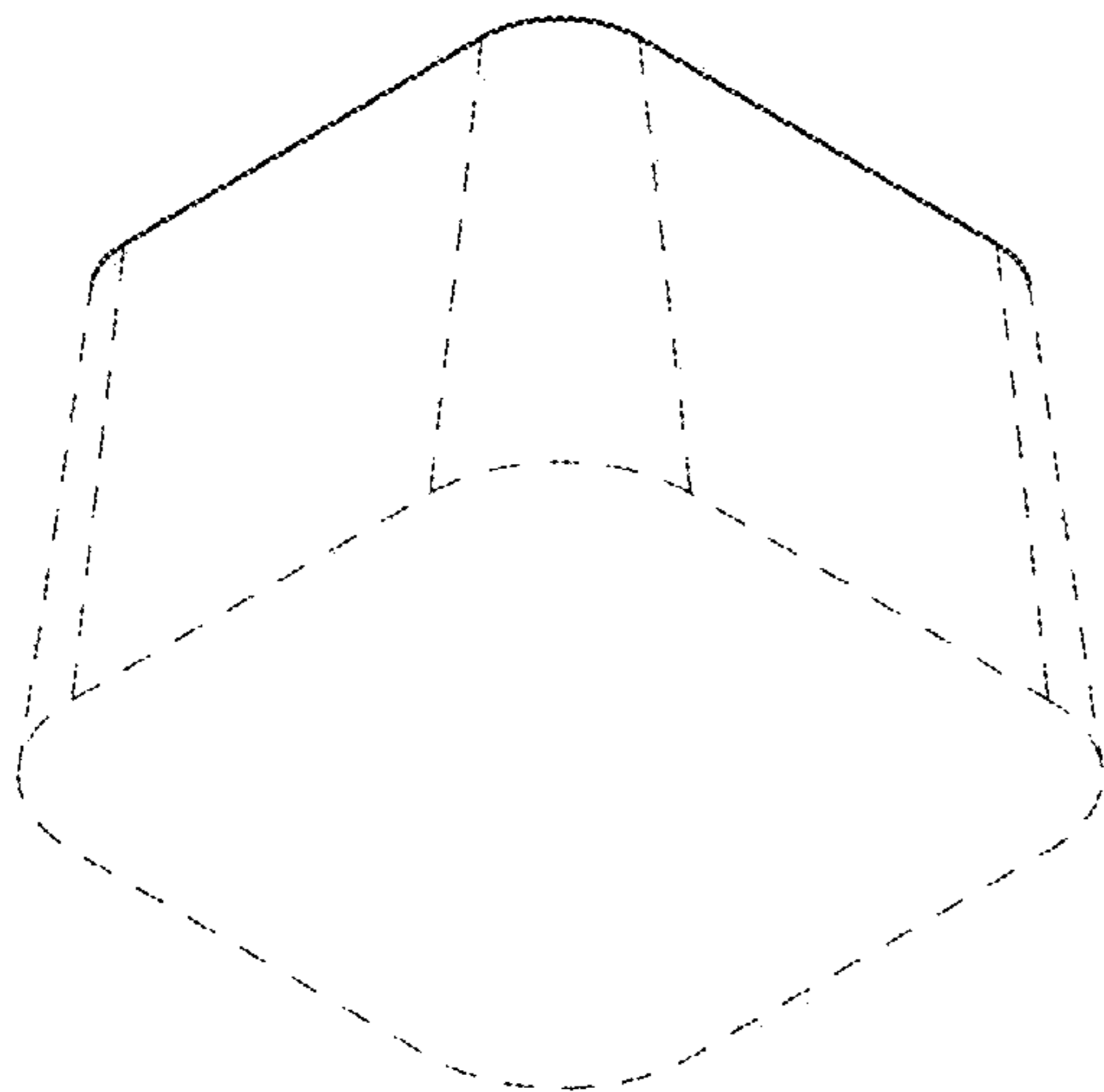


FIG. 2

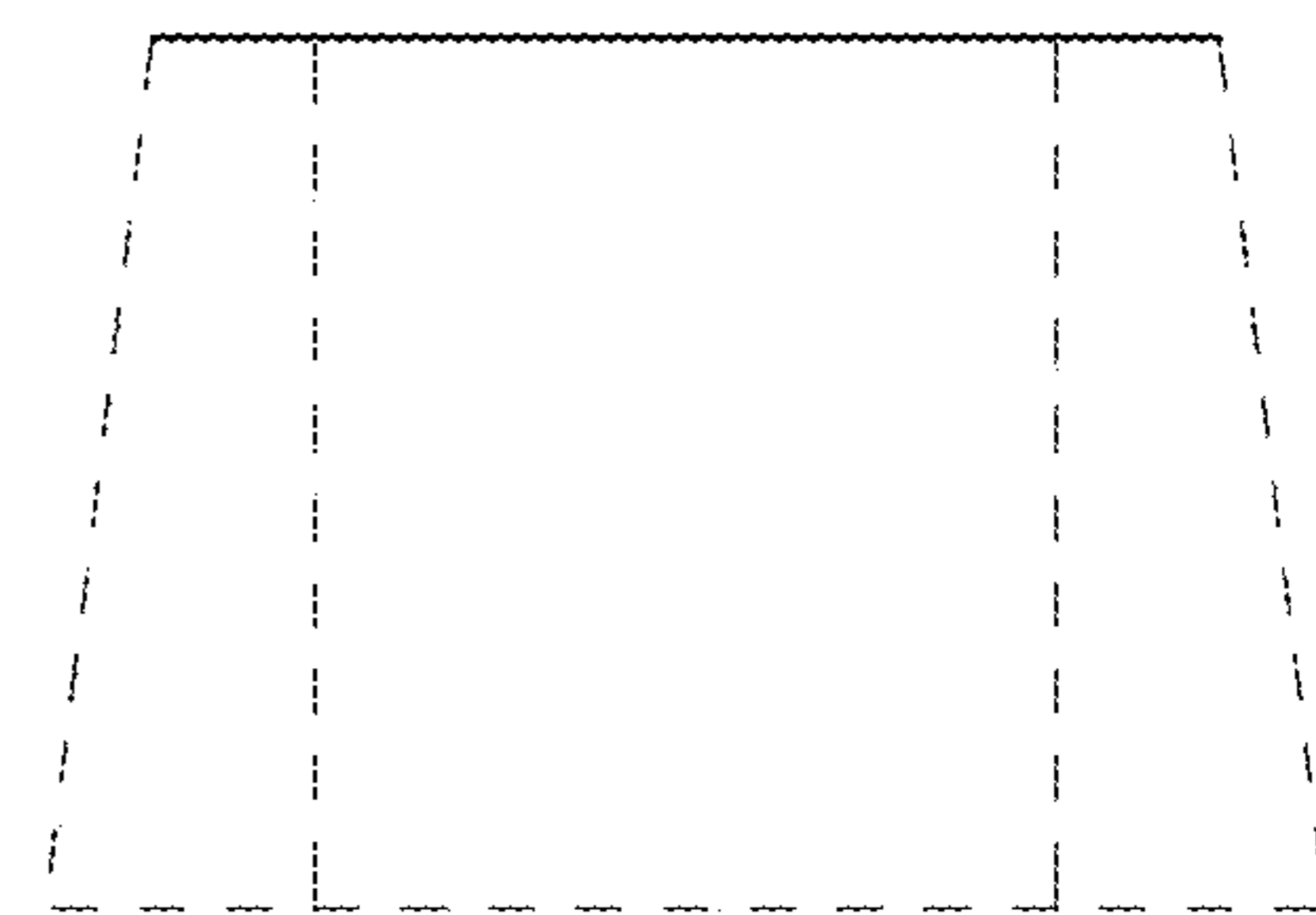


FIG. 3

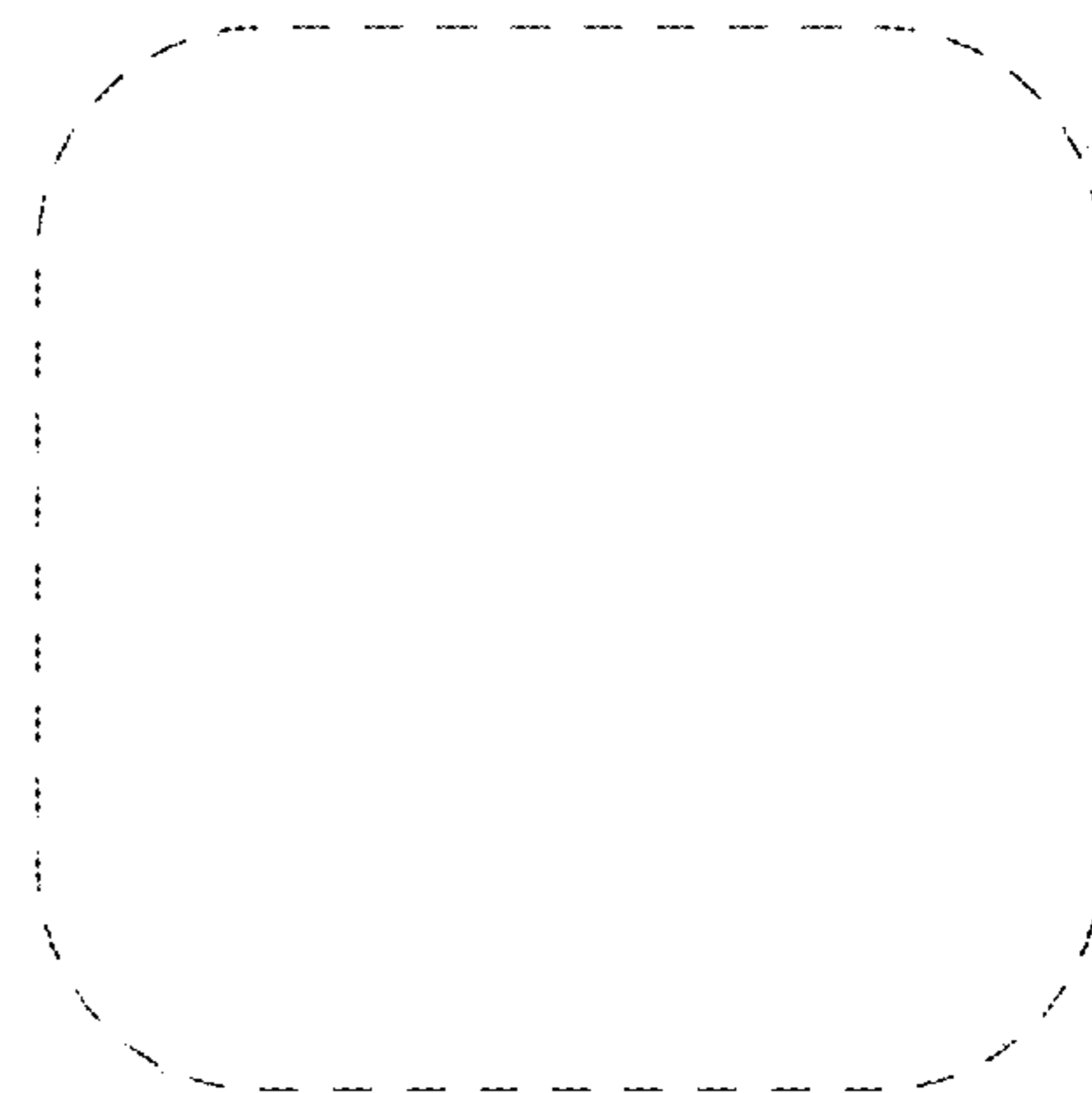


FIG. 5