



US00D941456S

(12) **United States Design Patent**
Rahimi

(10) **Patent No.:** **US D941,456 S**

(45) **Date of Patent:** **** Jan. 18, 2022**

(54) **ROOF DUCT CAP ASSEMBLY**

(71) Applicant: **Iraj A. Rahimi**, Potomac, MD (US)

(72) Inventor: **Iraj A. Rahimi**, Potomac, MD (US)

(**) Term: **15 Years**

(21) Appl. No.: **29/785,181**

(22) Filed: **May 24, 2021**

(51) **LOC (13) Cl.** **23-03**

(52) **U.S. Cl.**
USPC **D23/393**

(58) **Field of Classification Search**
USPC D23/259, 260, 318, 322, 343, 347, 348,
D23/354, 355, 370, 371, 373, 381, 382,
(Continued)

(56) **References Cited**

U.S. PATENT DOCUMENTS

772,255 A * 10/1904 Russell F24B 1/191
126/319
792,084 A * 6/1905 Stuber F24B 1/191
126/319

(Continued)

OTHER PUBLICATIONS

Selkirk 104800 Gas Vent, Sep. 10, 2006, Amazon, site visited Nov.
15, 2021: <https://www.amazon.com/dp/B000H5Y7H0/> (Year: 2006).*

(Continued)

Primary Examiner — Jack Reickel

Assistant Examiner — Bobby W Jones, II

(74) *Attorney, Agent, or Firm* — Barry Choobin; Patent
360

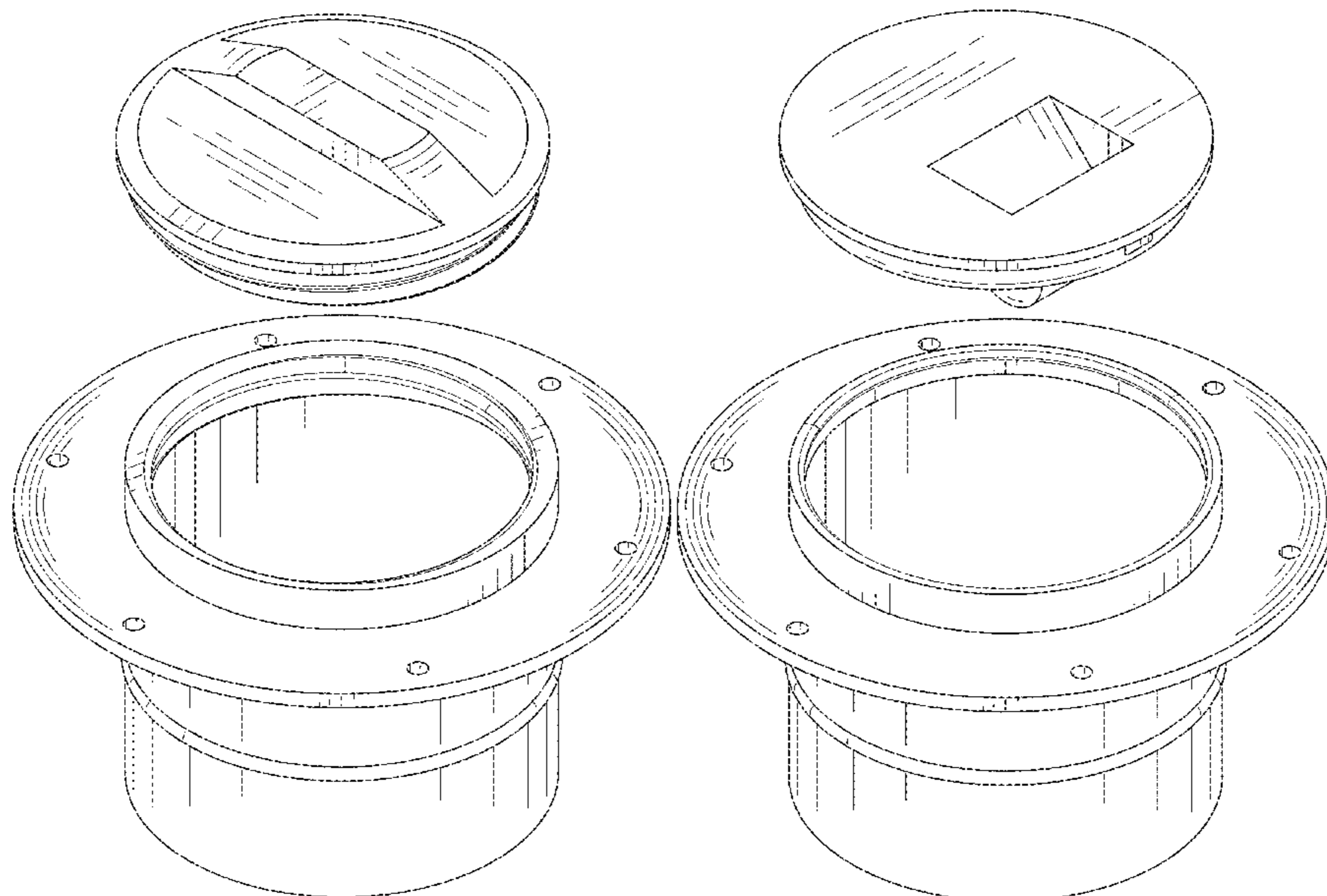
(57) **CLAIM**

The ornamental design for a roof duct cap assembly, as shown and described.

DESCRIPTION

FIG. 1 is a perspective view of a first embodiment of a roof duct cap assembly, in a closed state, showing my new design;
FIG. 2 is a front elevation view thereof,
FIG. 3 is a rear view thereof;
FIG. 4 is a right-side view thereof,
FIG. 5 is a left-side view thereof;
FIG. 6 is a top plan view thereof;
FIG. 7 is a bottom plan view thereof;
FIG. 8 is a cross section view thereof taken along line 8-8 of FIG. 3;
FIG. 9 is an exploded perspective view of FIG. 1;
FIG. 10 is a perspective view of a second embodiment of the roof duct cap assembly, in a closed state;
FIG. 11 is a front elevation view thereof,
FIG. 12 is a rear view thereof;
FIG. 13 is a right-side view thereof,
FIG. 14 is a left-side view thereof;
FIG. 15 is a top plan view thereof;
FIG. 16 is a bottom plan view thereof;
FIG. 17 is a cross section view thereof taken along line 17-17 of FIG. 12;
FIG. 18 is an exploded perspective view of FIG. 10;
FIG. 19 is another exploded perspective view of FIG. 10, in which cap is shown inverted;
FIG. 20 is a perspective view of a third embodiment of the roof duct cap assembly, in a closed state;
FIG. 21 is a front elevation view thereof,
FIG. 22 is a rear view thereof;
FIG. 23 is a right-side view thereof,
FIG. 24 is a left-side view thereof;
FIG. 25 is a top plan view thereof;
FIG. 26 is a bottom view thereof;
FIG. 27 is a cross section view thereof, taken along line 26-26 of FIG. 23;
FIG. 28 is an exploded perspective view of FIG. 20; and,
FIG. 29 is another exploded perspective view of FIG. 20.

1 Claim, 29 Drawing Sheets



US D941,456 S

Page 2

(58) **Field of Classification Search**

USPC D23/385, 386, 387, 388, 389, 390, 392,
D23/393

CPC F24F 7/02; F24F 13/00; F24F 13/02; F24F
13/0209; F24F 13/06; F24F 13/0604;
F24F 13/10; F24F 13/12; F24F 13/14;
F24F 13/15; F24F 13/16; F24F 13/18;
F24F 13/20; F24B 1/191; E04F 17/026

See application file for complete search history.

(56) **References Cited**

U.S. PATENT DOCUMENTS

825,240 A * 7/1906 Piche F24B 1/191
126/319
843,855 A * 2/1907 Weller F24B 1/191
126/319
860,801 A * 7/1907 Hanken F24B 1/191
126/319
976,321 A * 11/1910 Wales F24B 1/191
126/319
2,211,367 A * 8/1940 Davey F24F 7/02
454/107
D136,855 S * 12/1943 Markesinis F24B 1/191
D23/322
2,806,419 A * 9/1957 Artis E04D 13/0325
454/199
D209,379 S * 11/1967 Quick D23/260
D277,028 S 1/1985 Waltz et al.
5,081,914 A * 1/1992 Mejia F24F 7/02
138/89
D380,044 S 6/1997 Tobias

5,649,859 A * 7/1997 Shiga F24F 7/02
174/16.1
D386,577 S * 11/1997 Haydock F24F 7/02
D23/373
5,778,611 A * 7/1998 Michel E04D 13/14
285/331
D402,354 S * 12/1998 Strong D23/259
D428,130 S 7/2000 Zirk
D428,484 S 7/2000 Zirk
D476,723 S * 7/2003 Houghton D23/260
D486,891 S 2/2004 Cronce, Jr.
6,994,622 B2 2/2006 Koessler
D647,182 S * 10/2011 Gonzalez D23/260
D655,792 S * 3/2012 Teixeira D23/260
D720,056 S * 12/2014 Maki D23/322
D731,030 S * 6/2015 Tyler D23/260
D792,570 S * 7/2017 Williams D23/386
D838,817 S * 1/2019 Welch D23/260
D916,248 S * 4/2021 Pettengill D23/260
2003/0024185 A1 2/2003 Menzies
2012/0073239 A1 3/2012 Haines
2013/0043671 A1 * 2/2013 Harman F16L 3/003
285/3
2020/0011553 A1 * 1/2020 Waks F24F 7/00
2021/0262694 A1 * 8/2021 Rahimi F24F 7/02

OTHER PUBLICATIONS

Autmotive Authority Plastic Attic Plumbing Vent Cover, Apr. 19,
2019, Amazon, site visited Nov. 15, 2021: <https://www.amazon.com/dp/B07QYCJVBB/> (Year: 2019).*
Jr Products Mushroom Style Roof Vent, Feb. 21, 2020, Amazon, site
visited Nov. 15, 2021: <https://www.amazon.com/dp/B0851HYWGZ/>
(Year: 2020).*

* cited by examiner

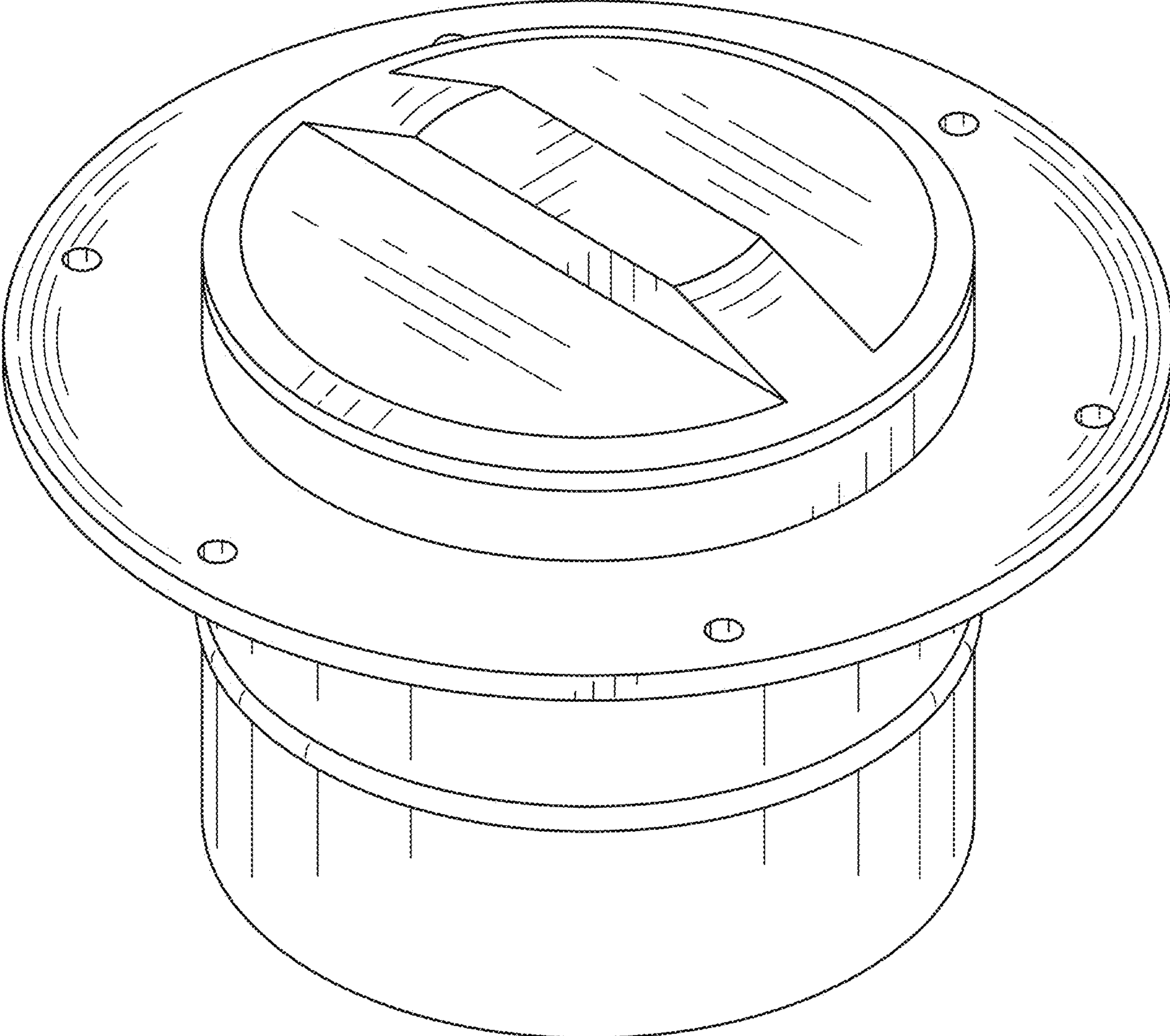


FIG. 1

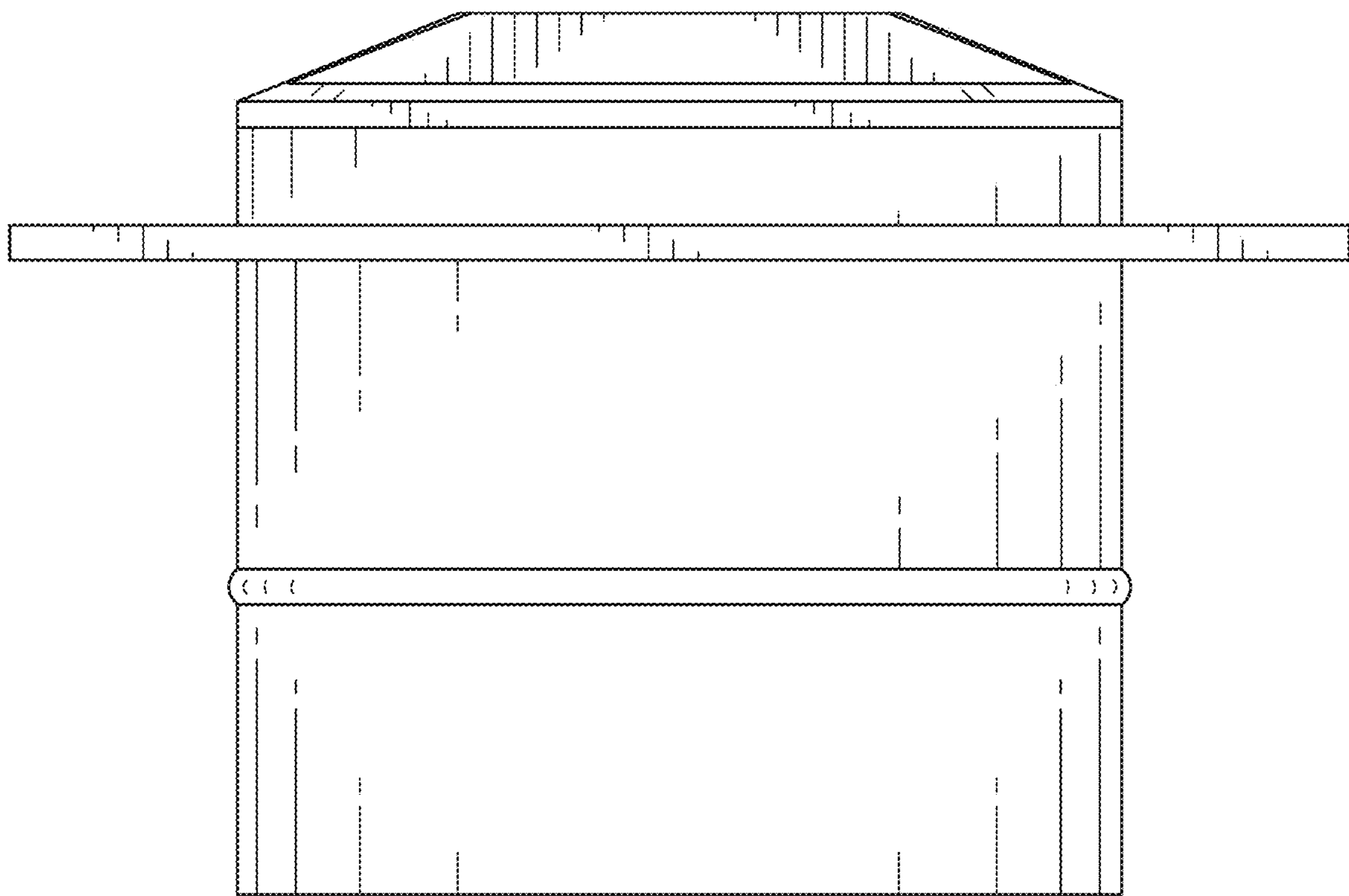


FIG. 2

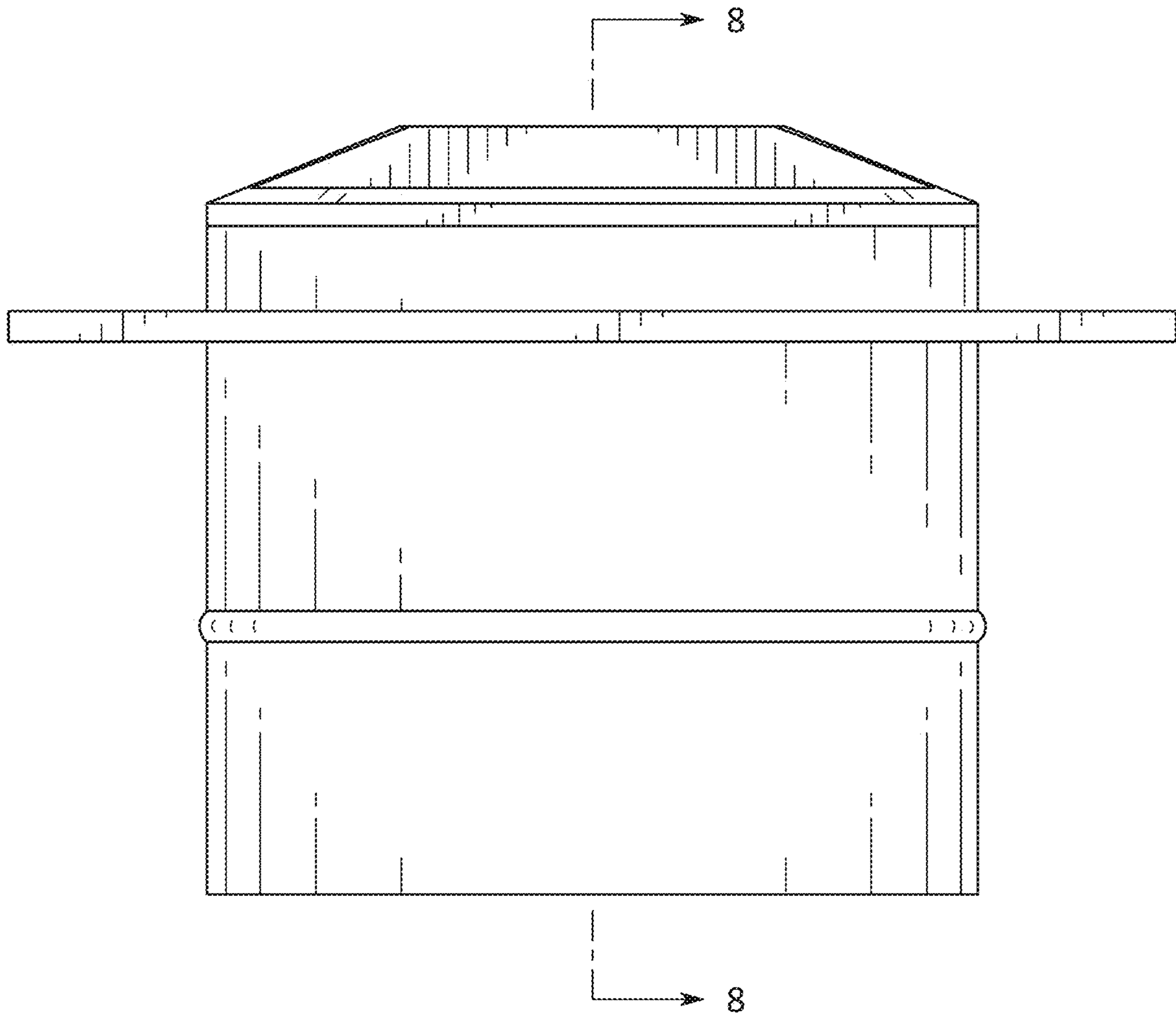


FIG. 3

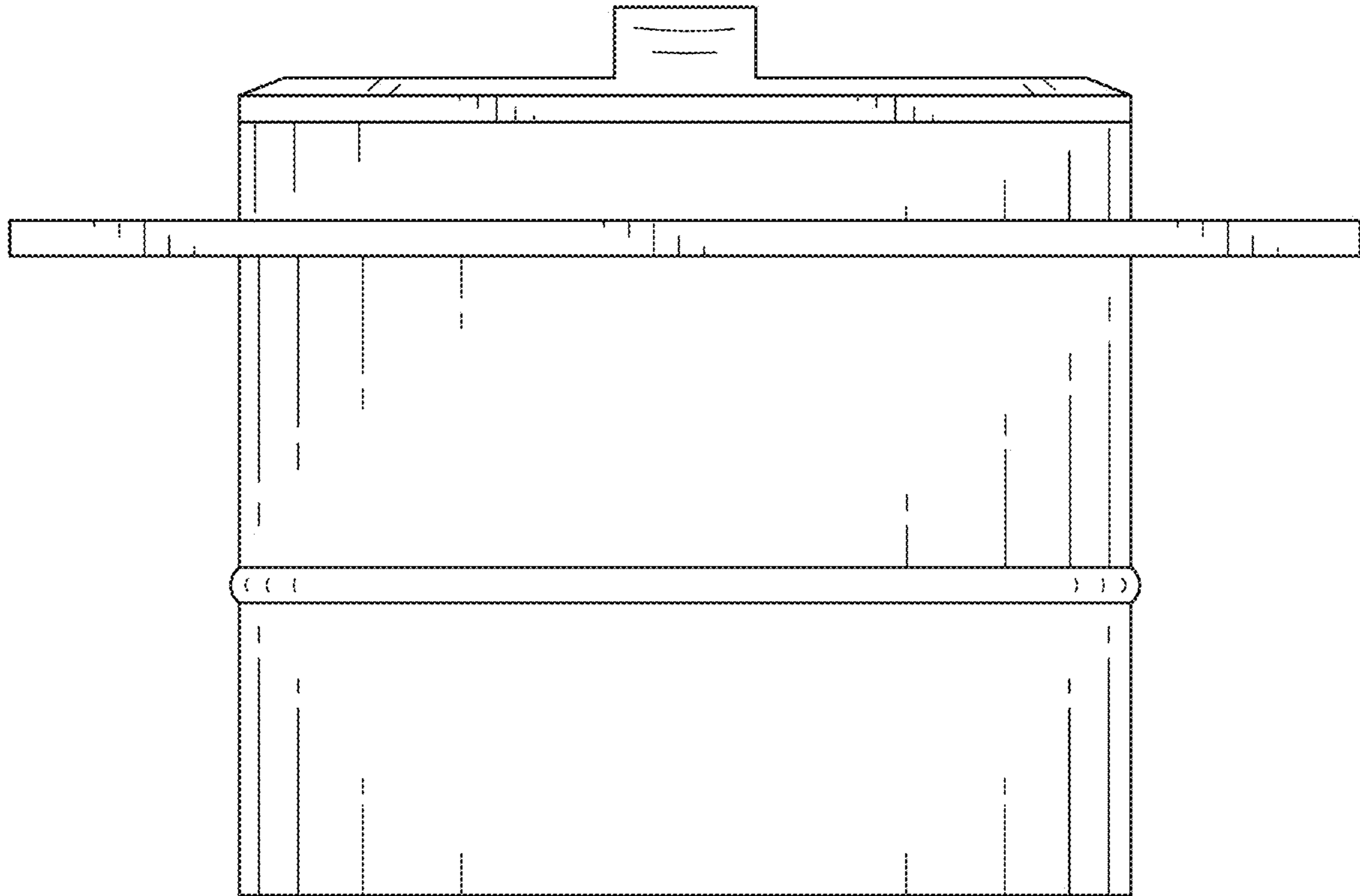


FIG. 4

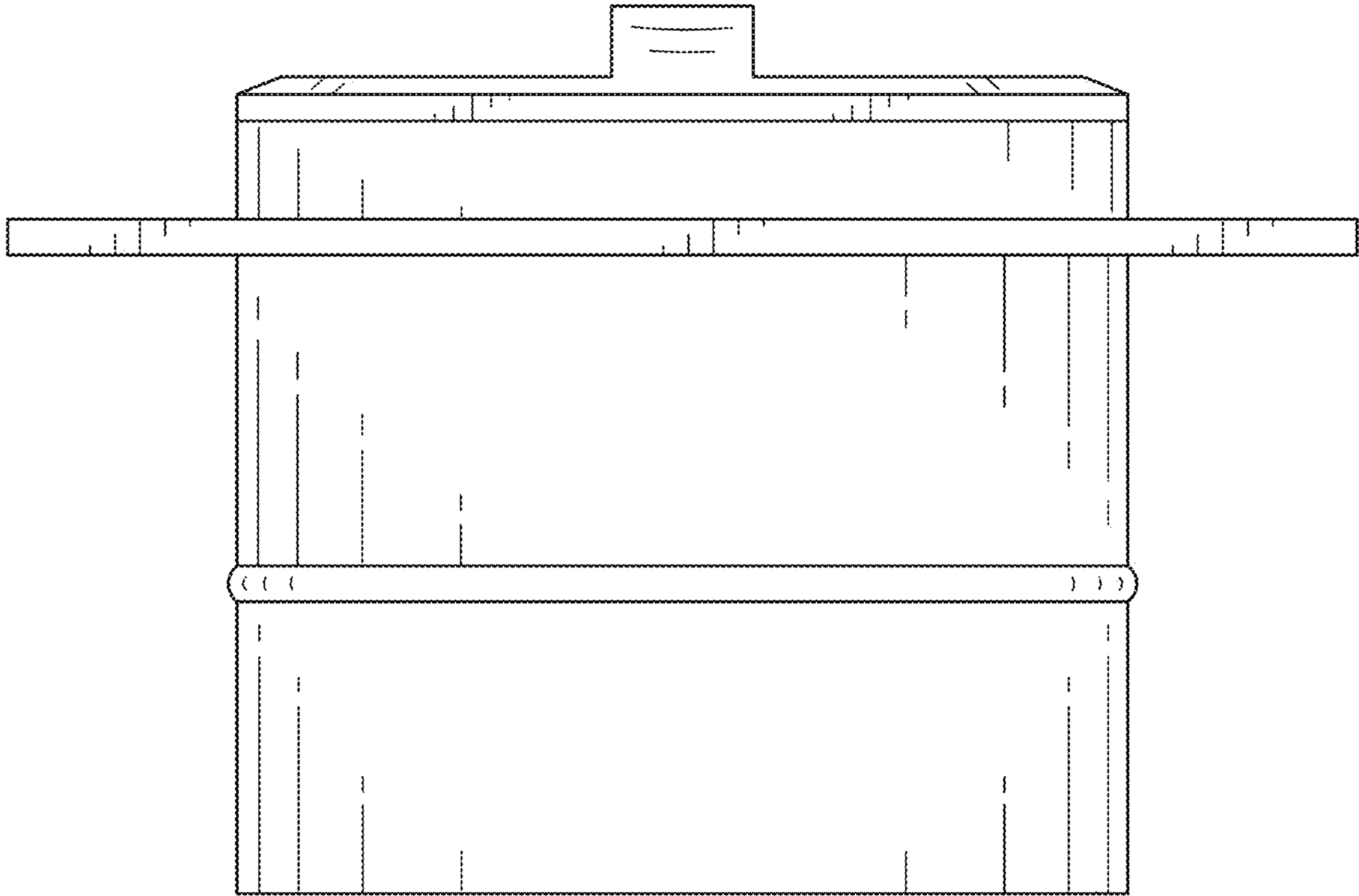


FIG. 5

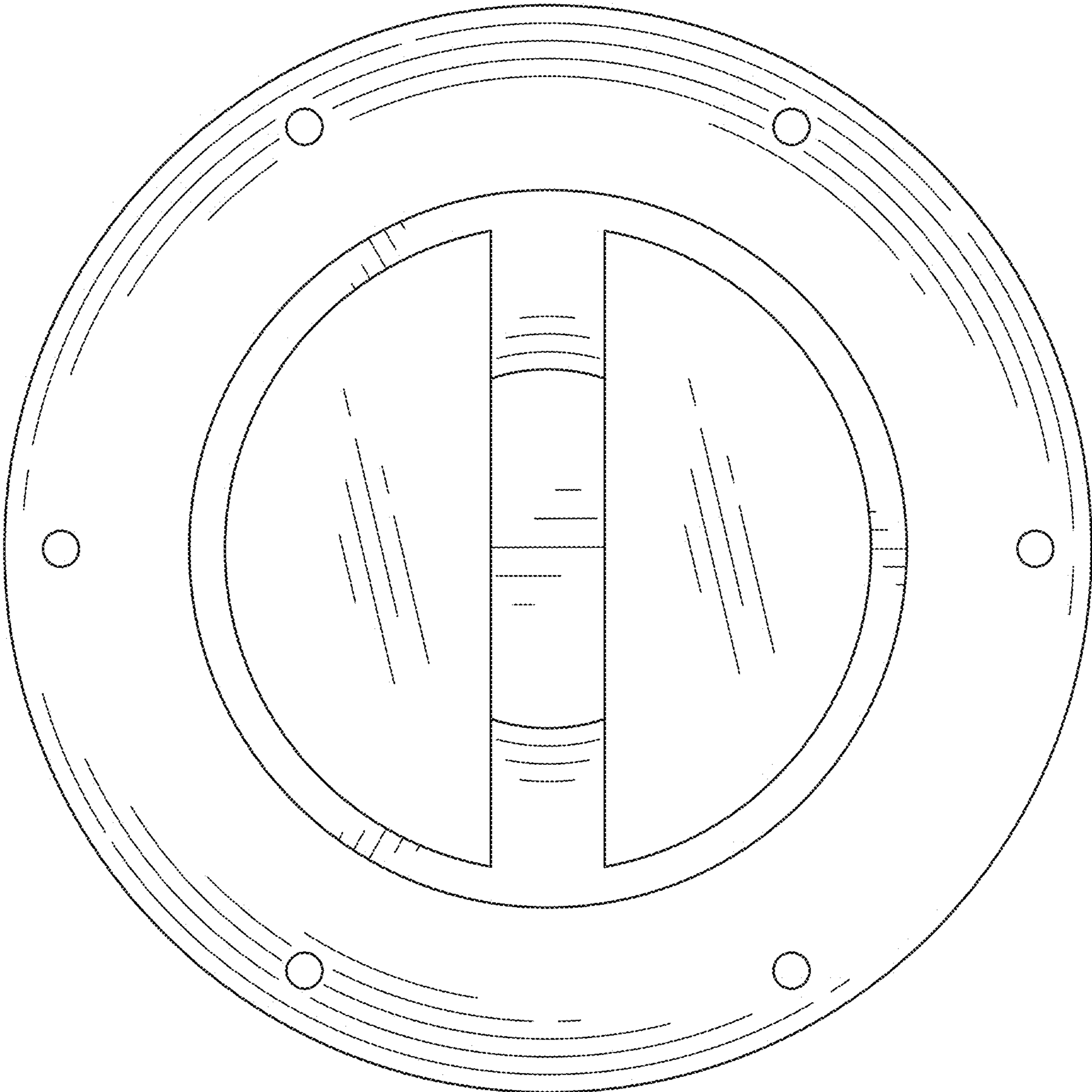


FIG. 6

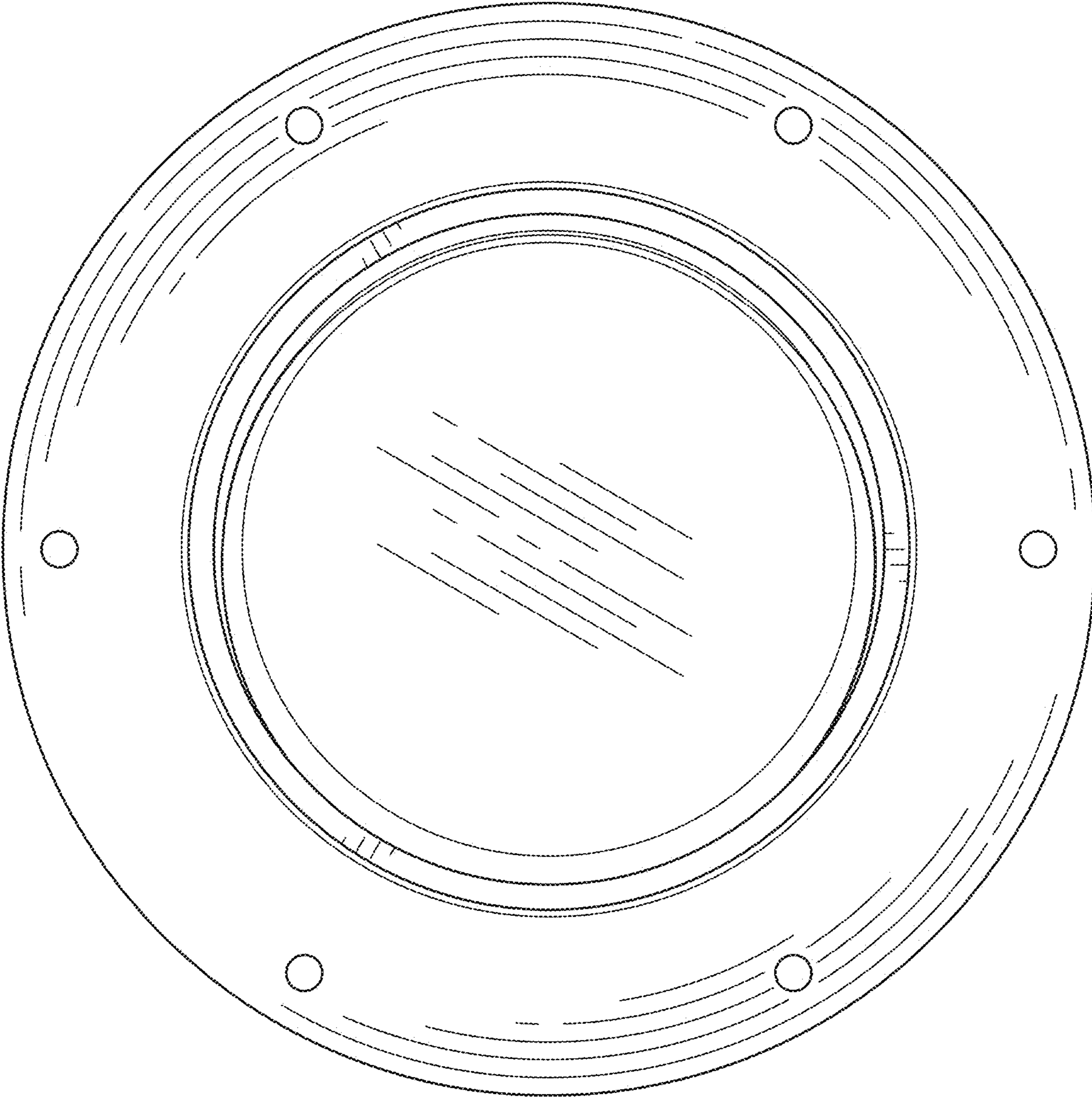


FIG. 7

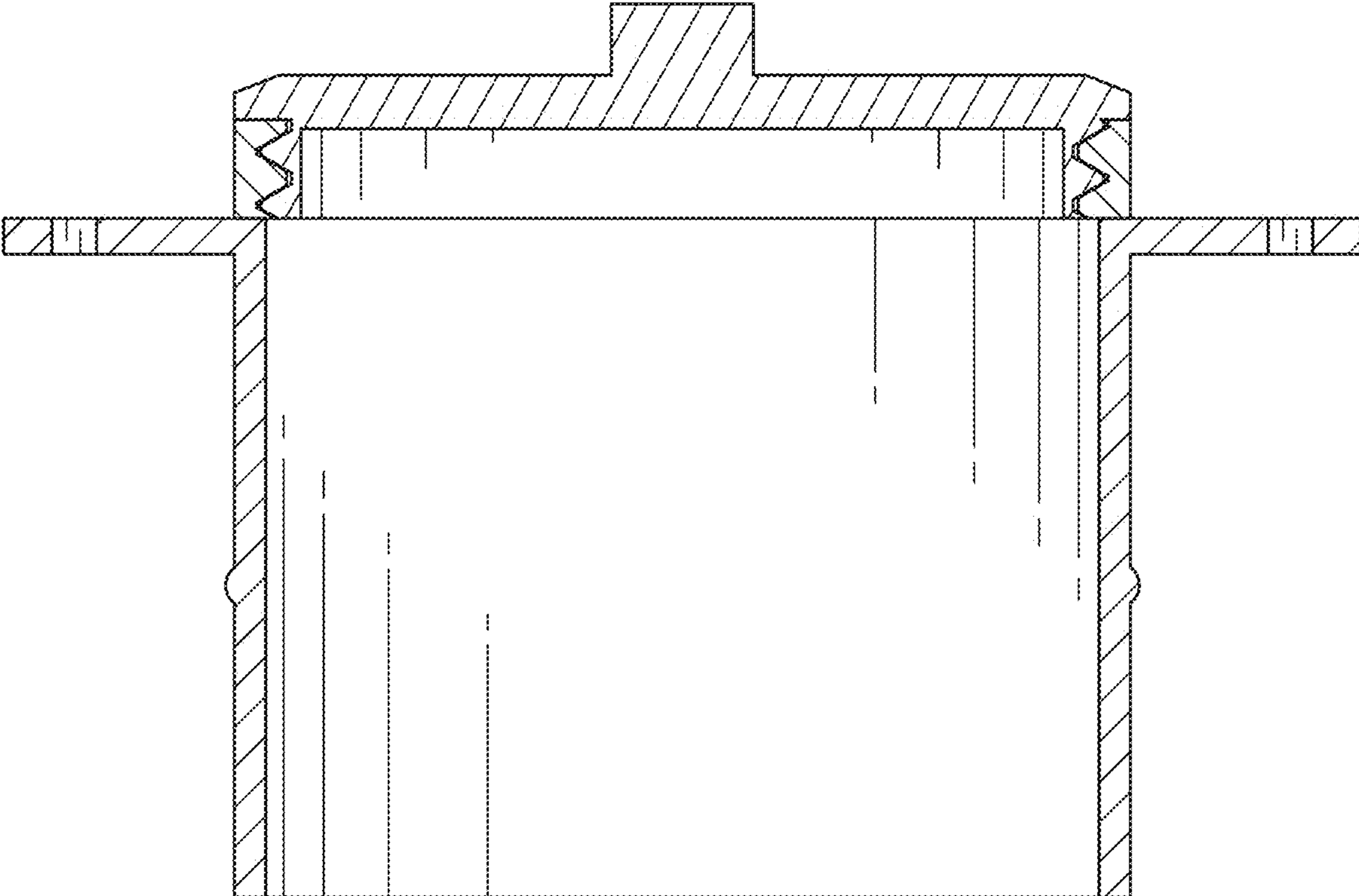


FIG. 8

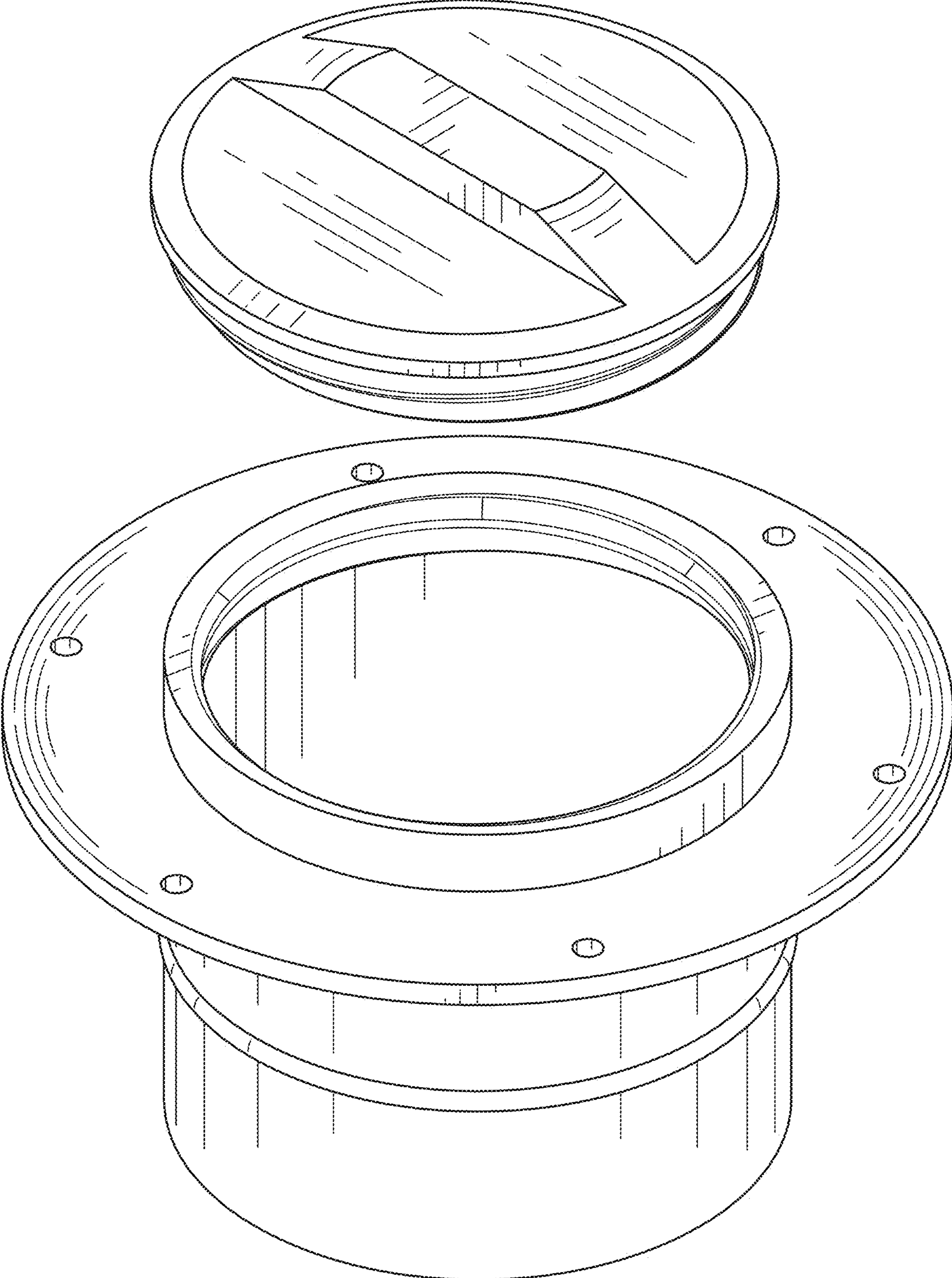


FIG. 9

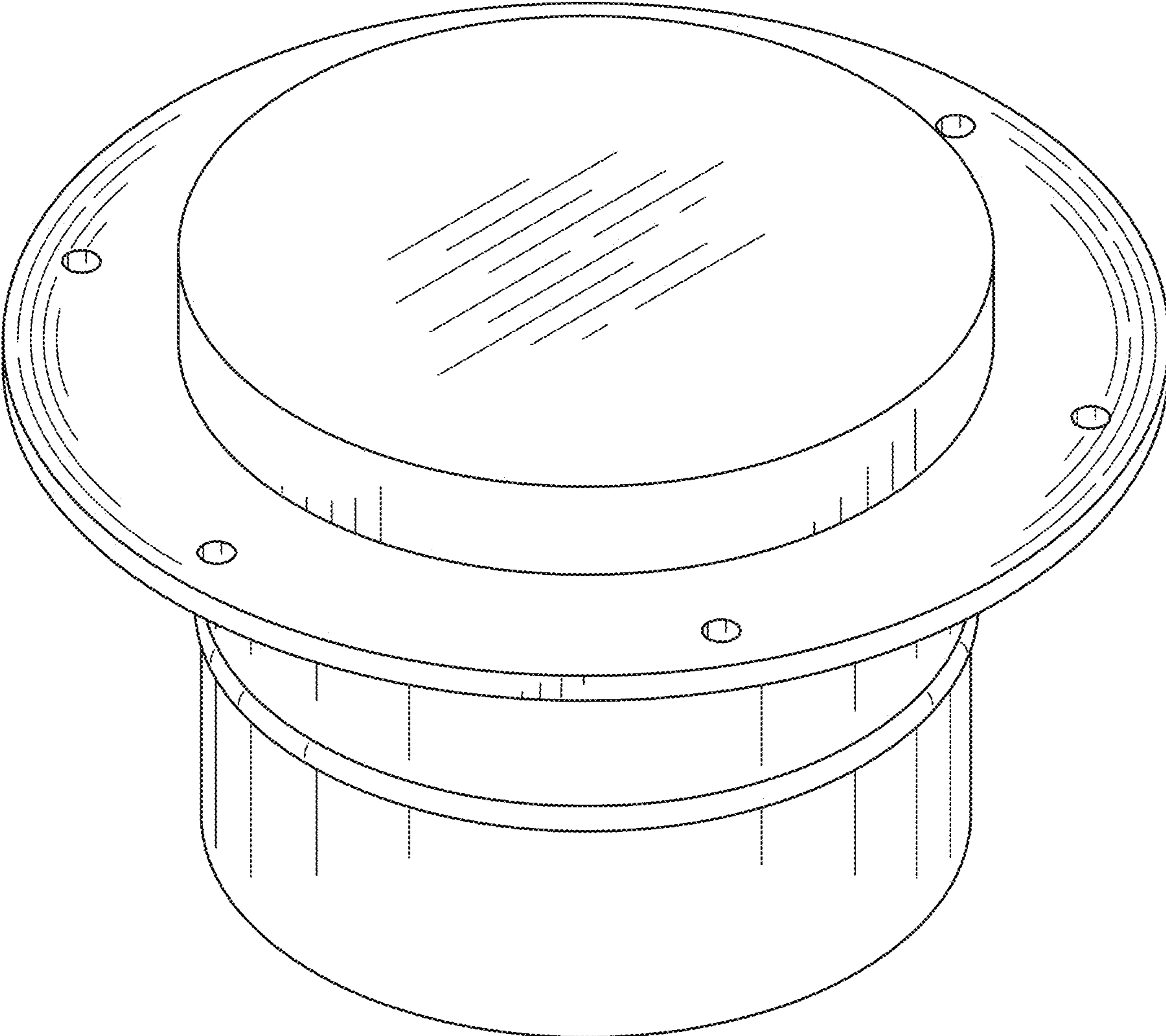


FIG. 10

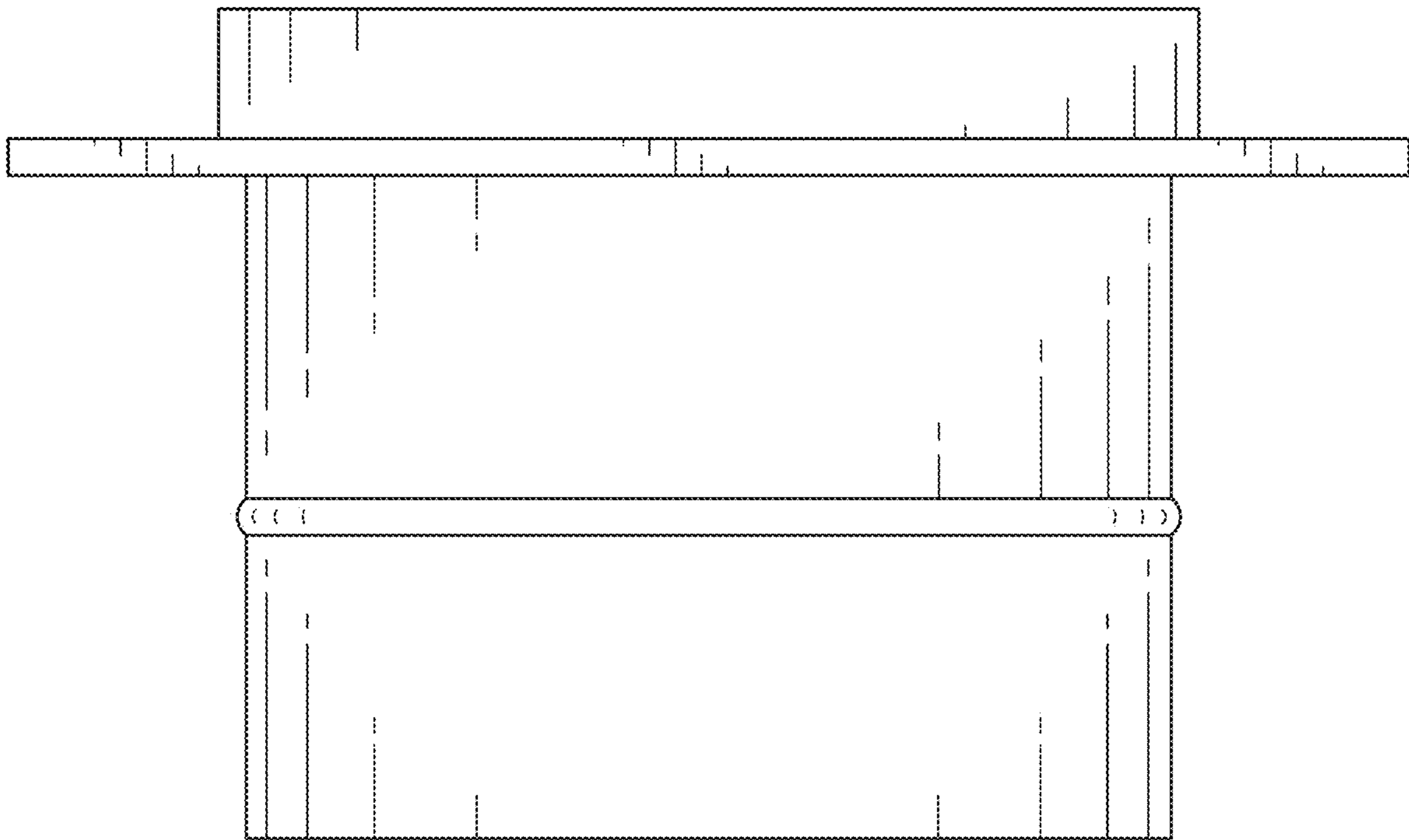


FIG. 11

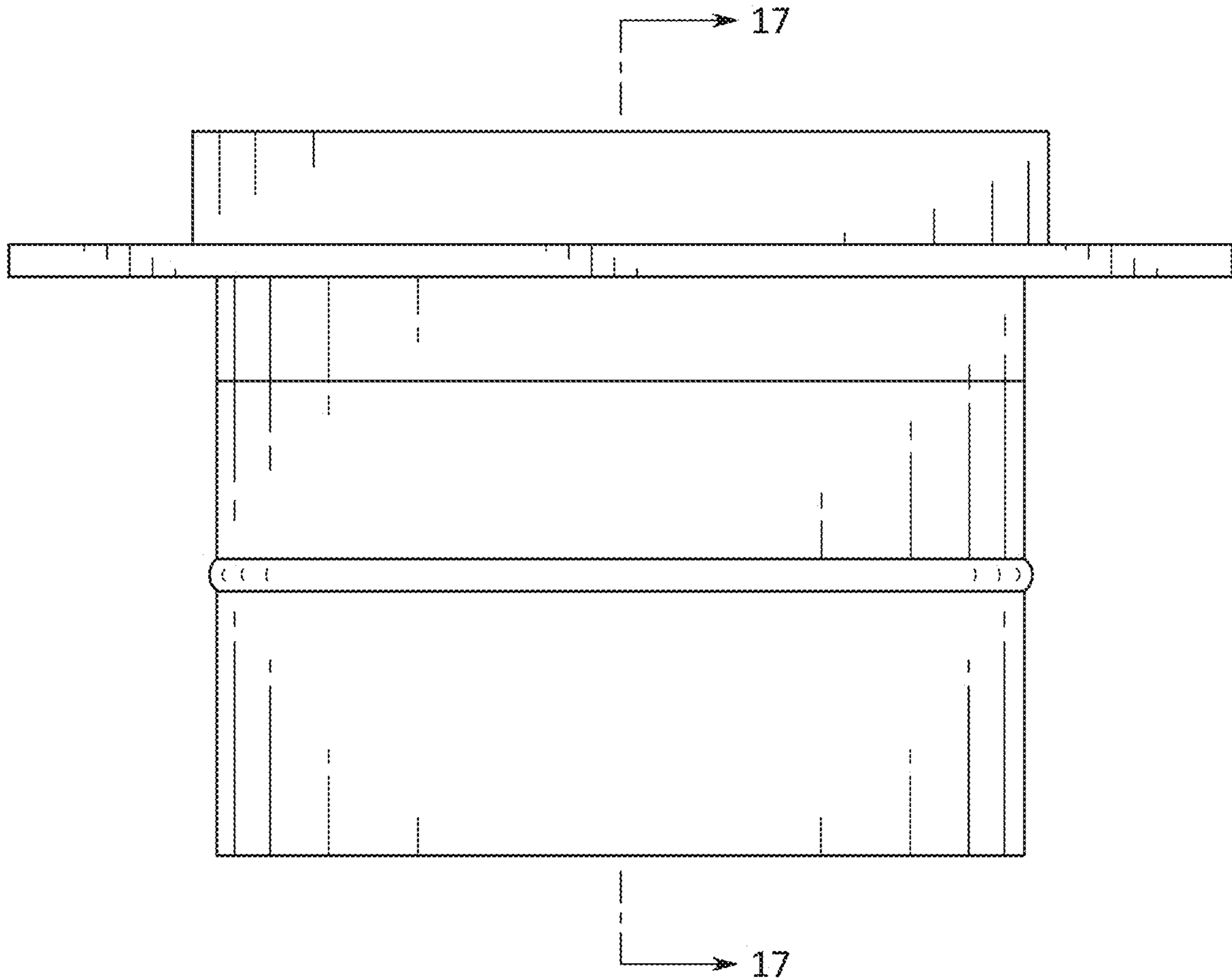


FIG. 12

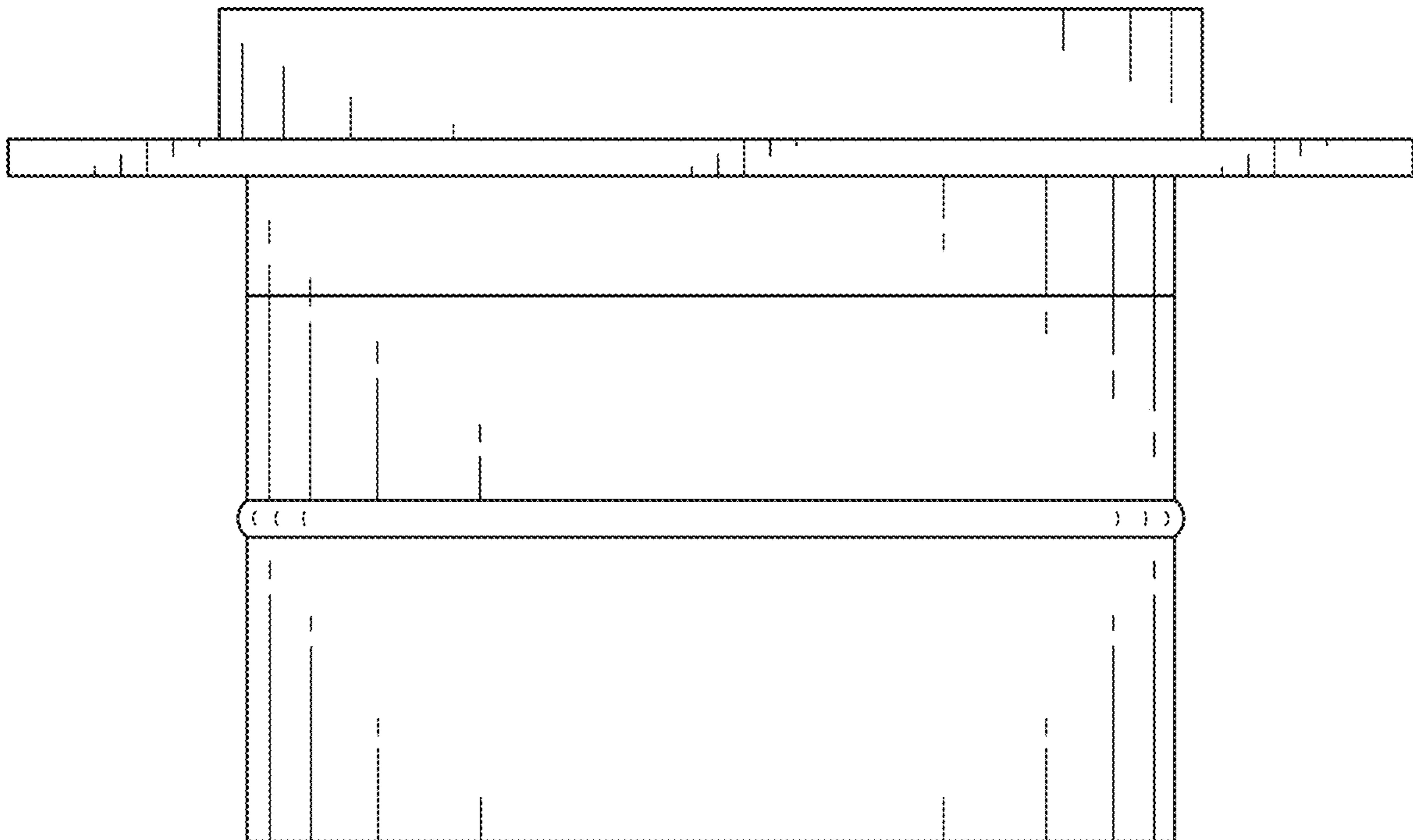


FIG. 13

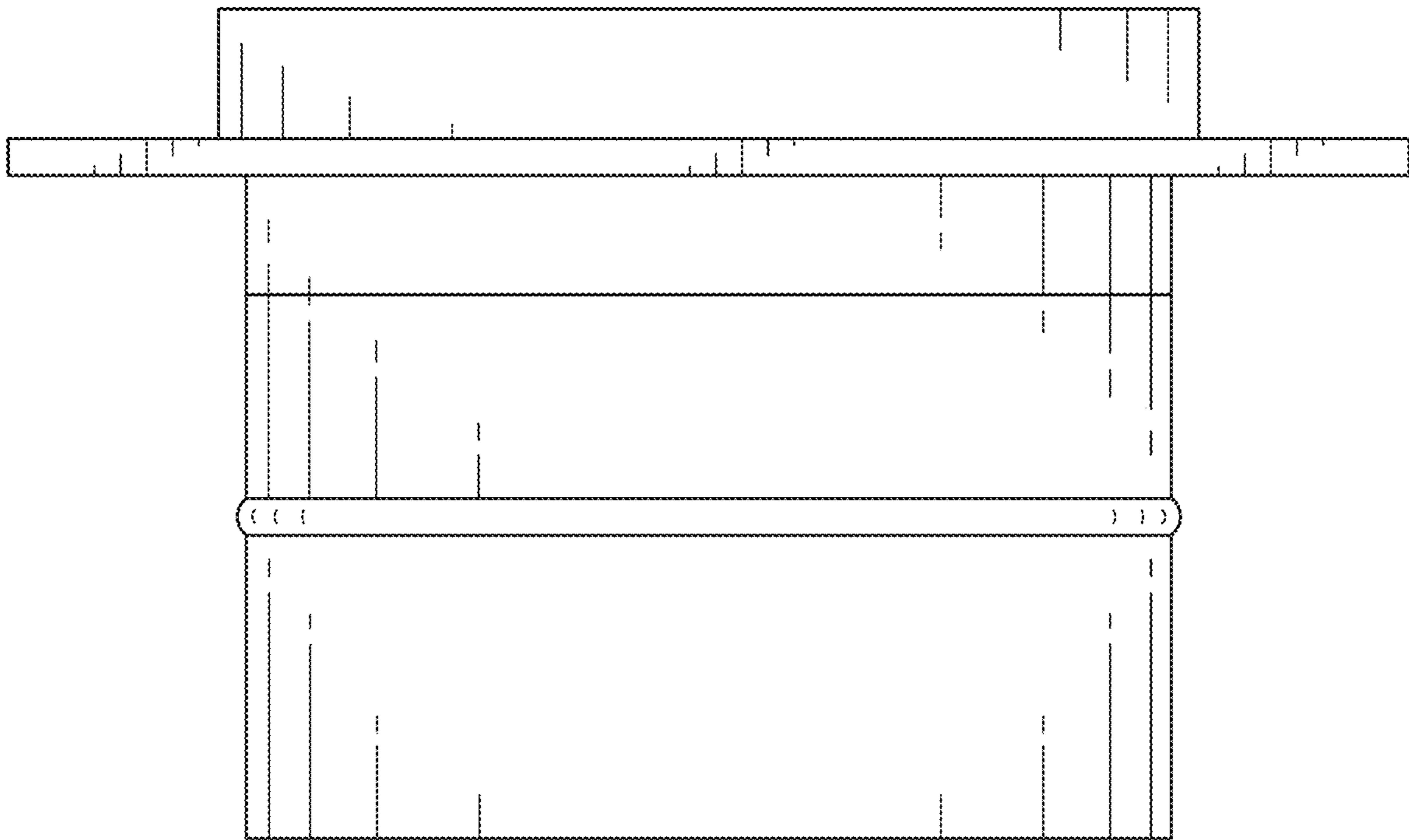


FIG. 14

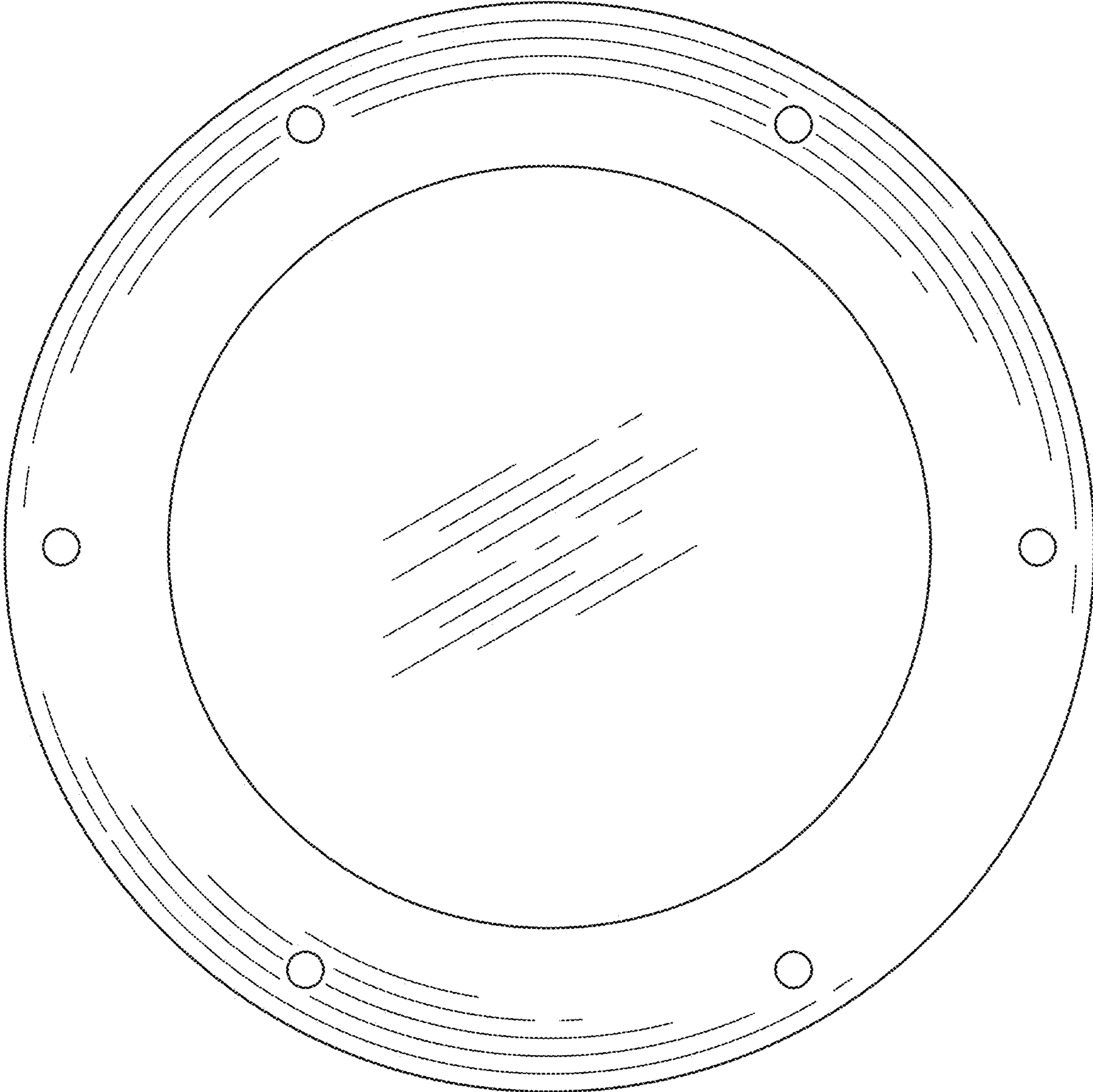


FIG. 15

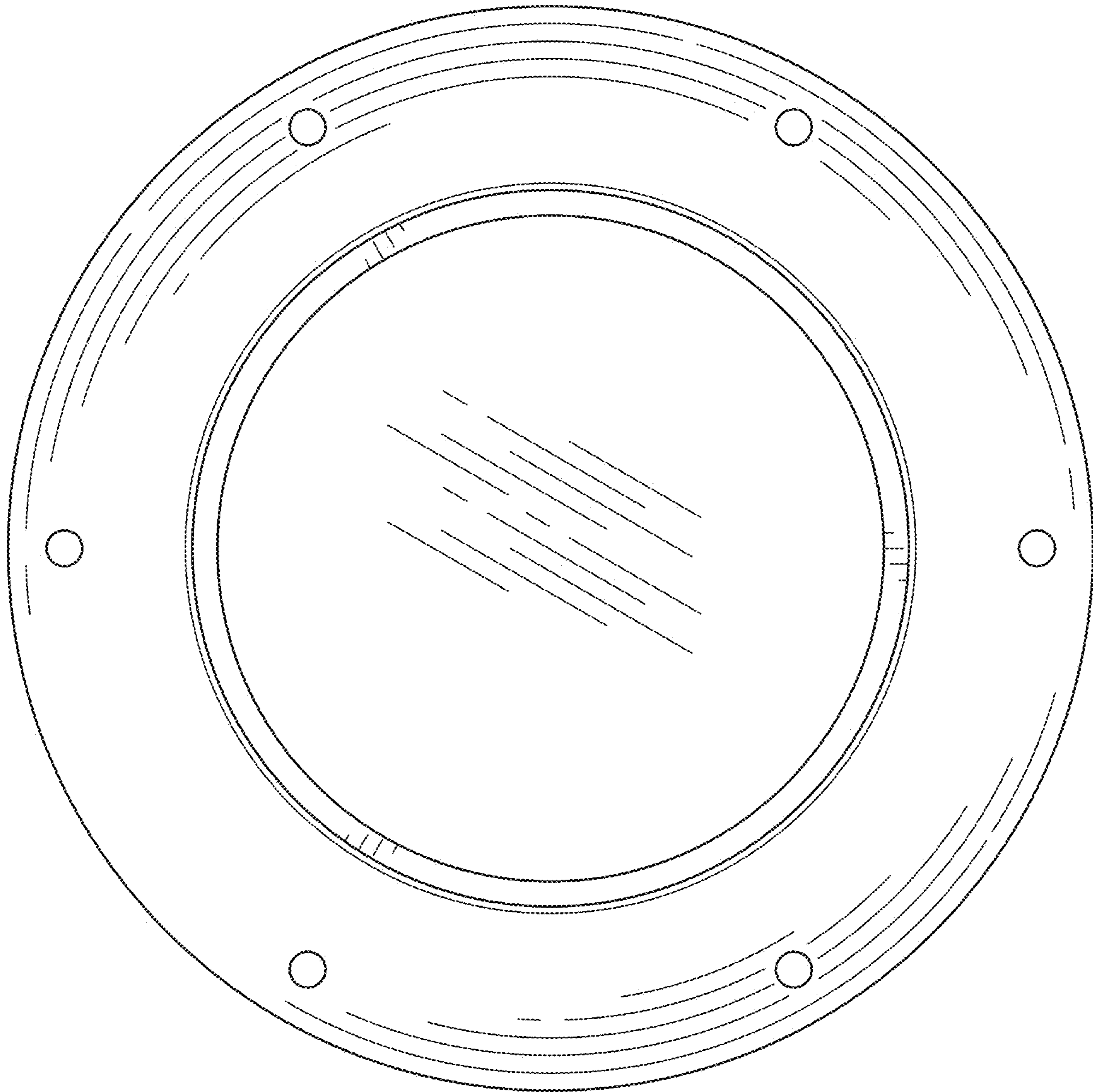


FIG. 16

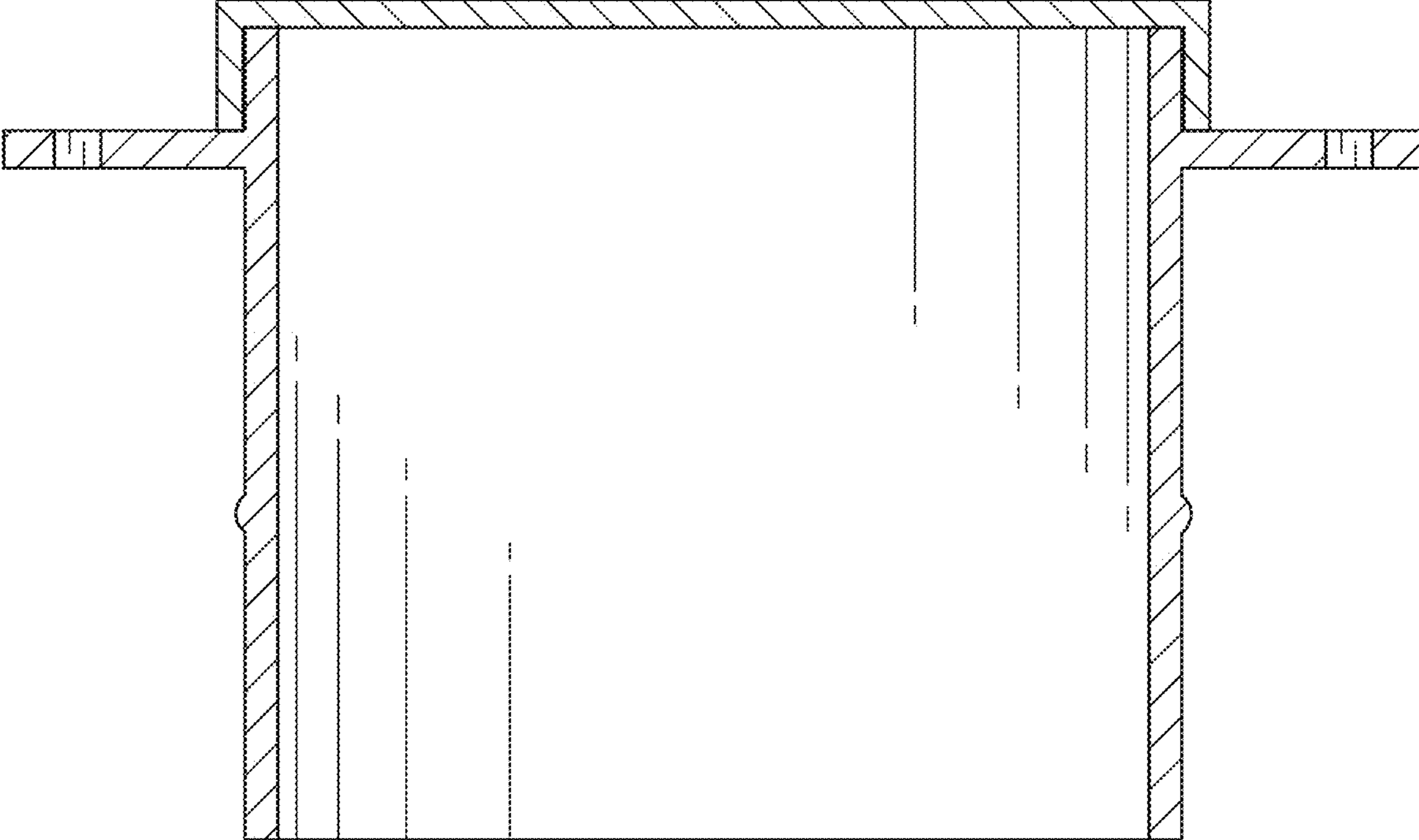


FIG. 17

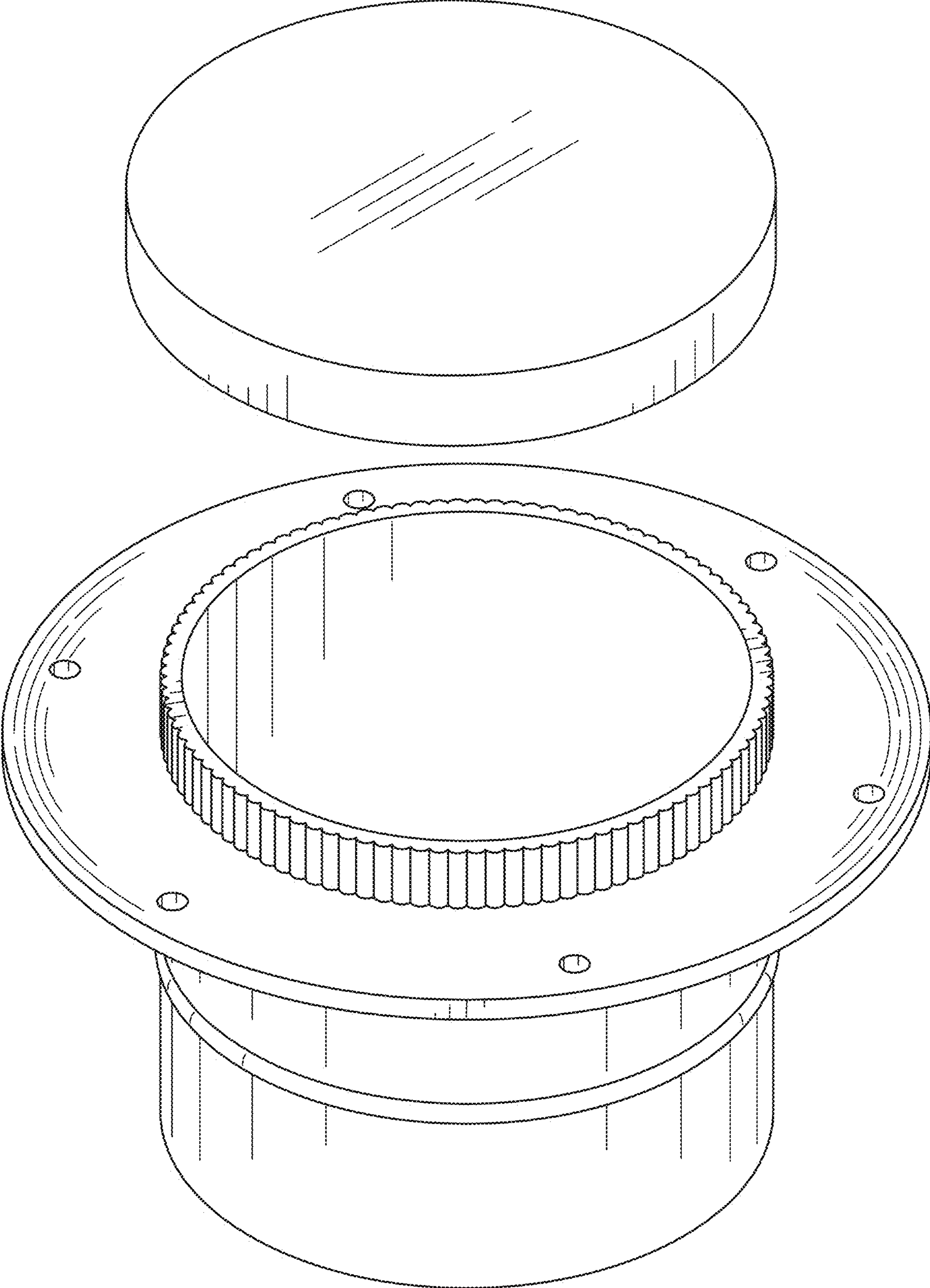


FIG. 18

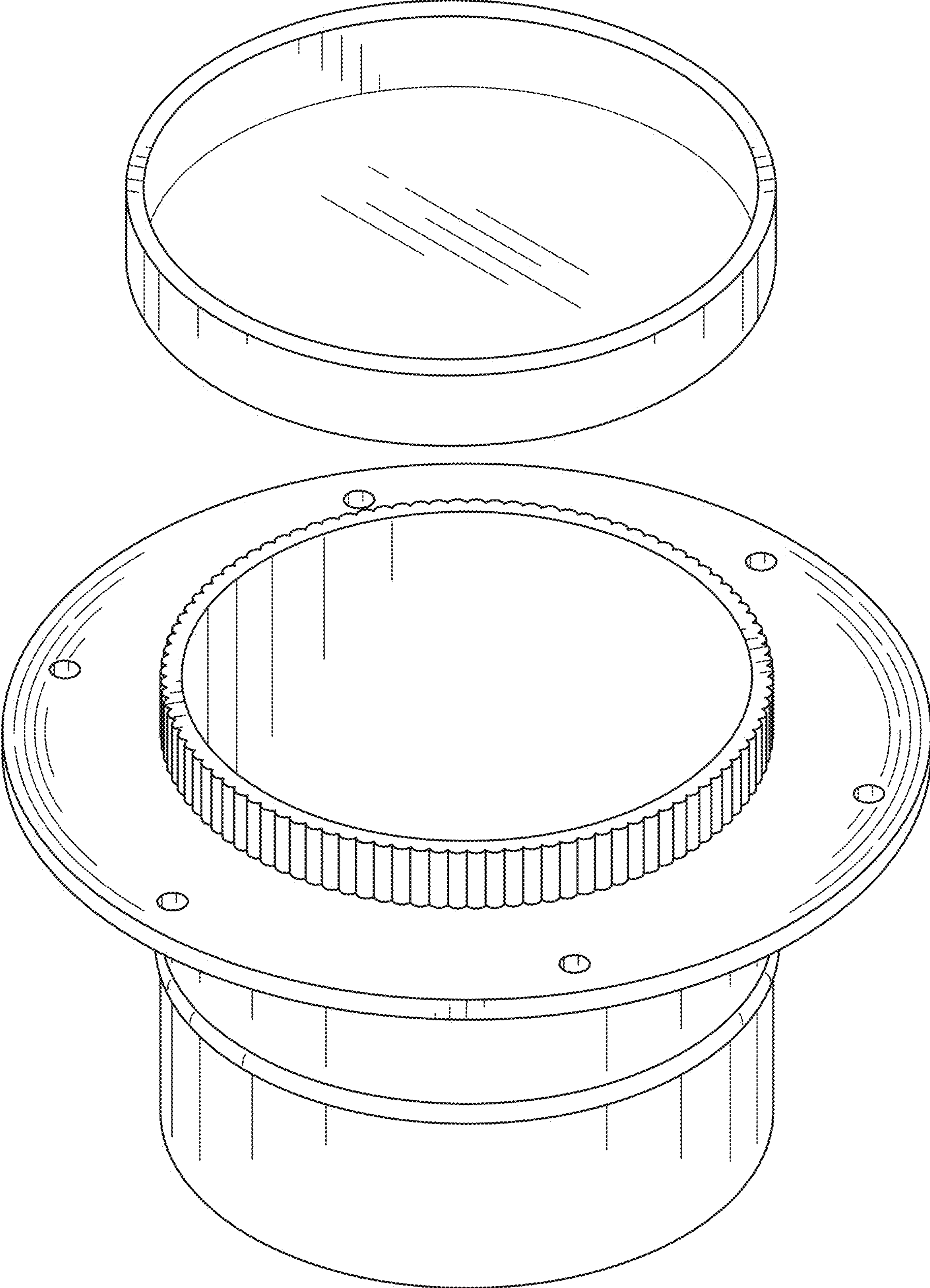


FIG. 19

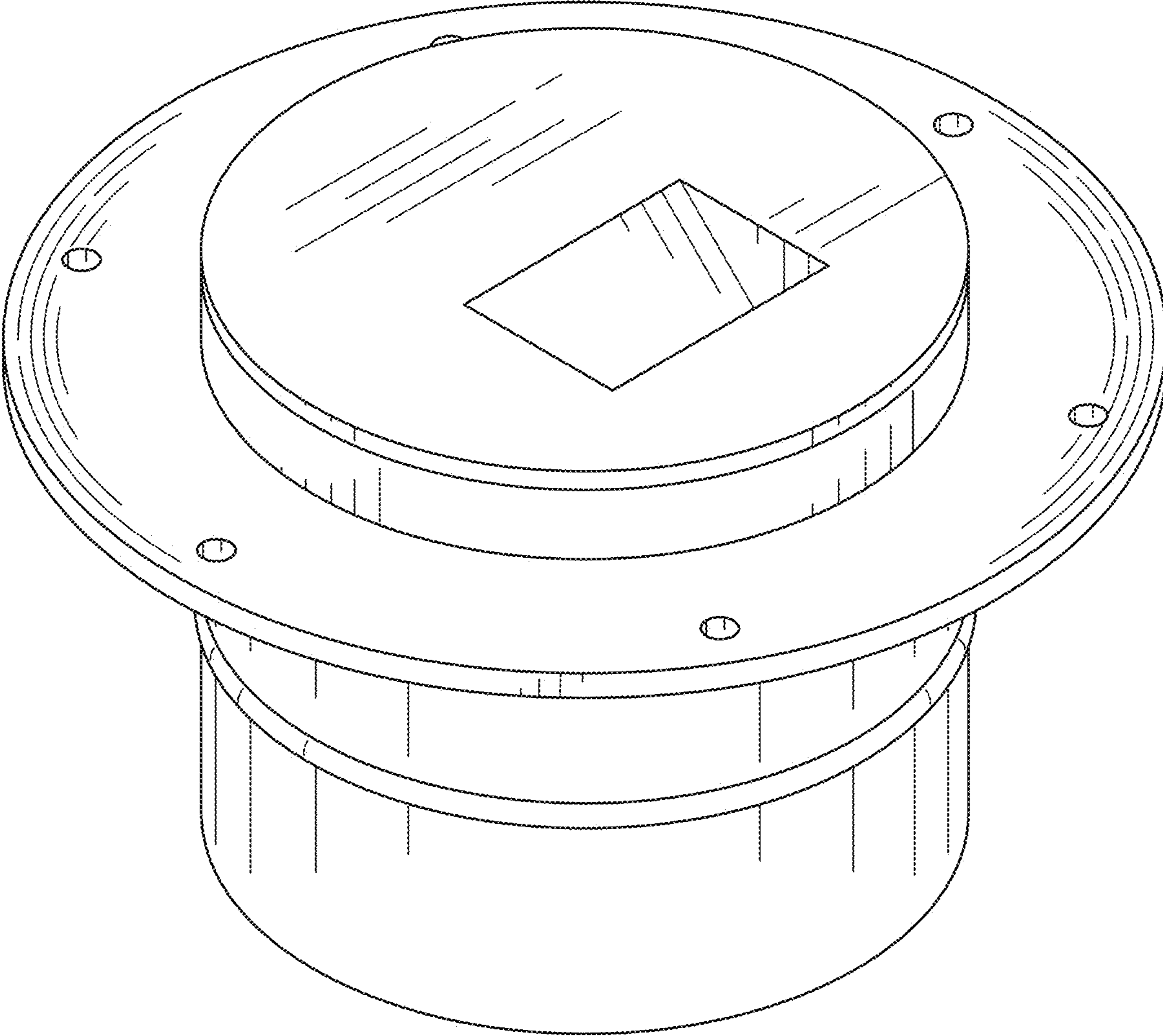


FIG. 20

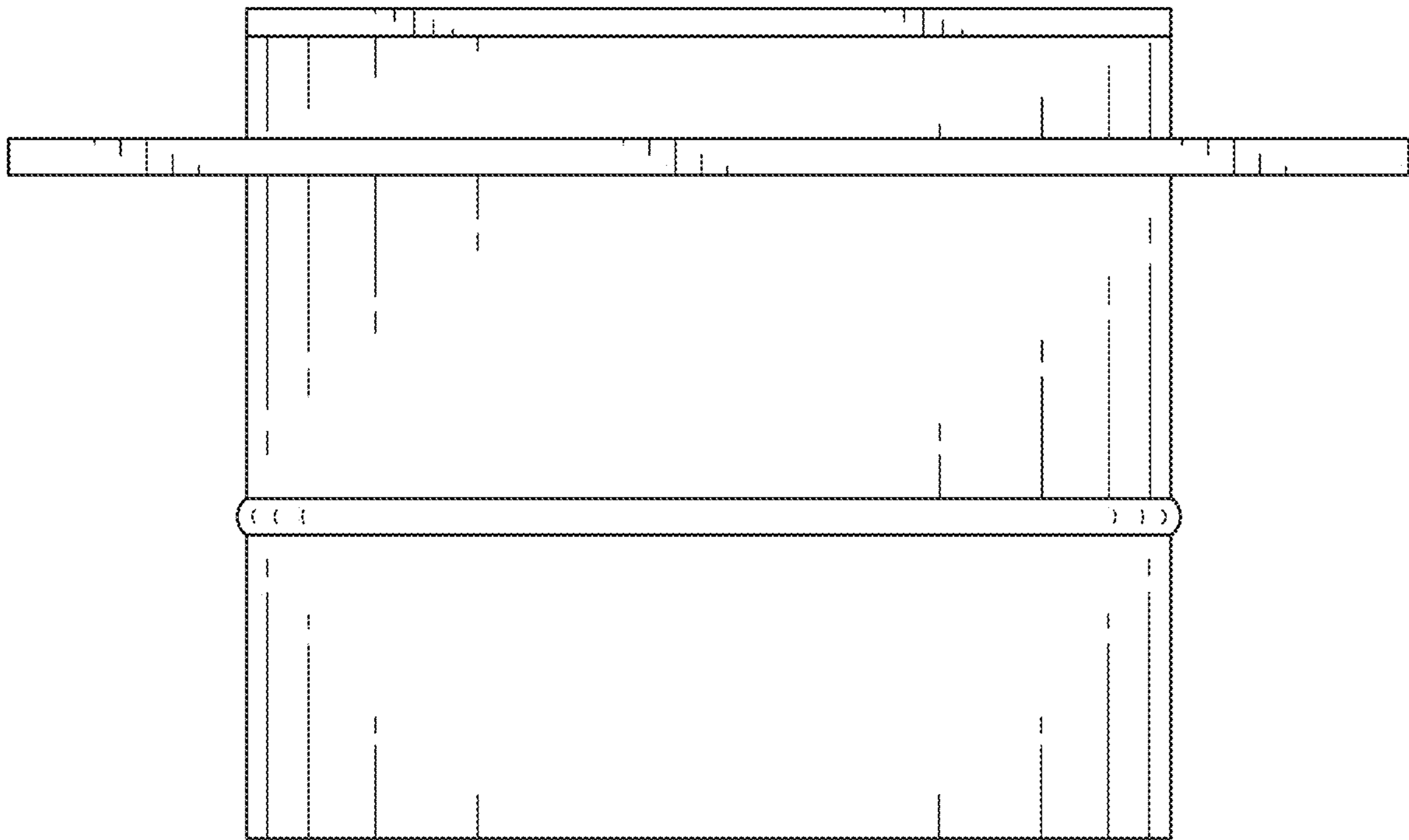


FIG. 21

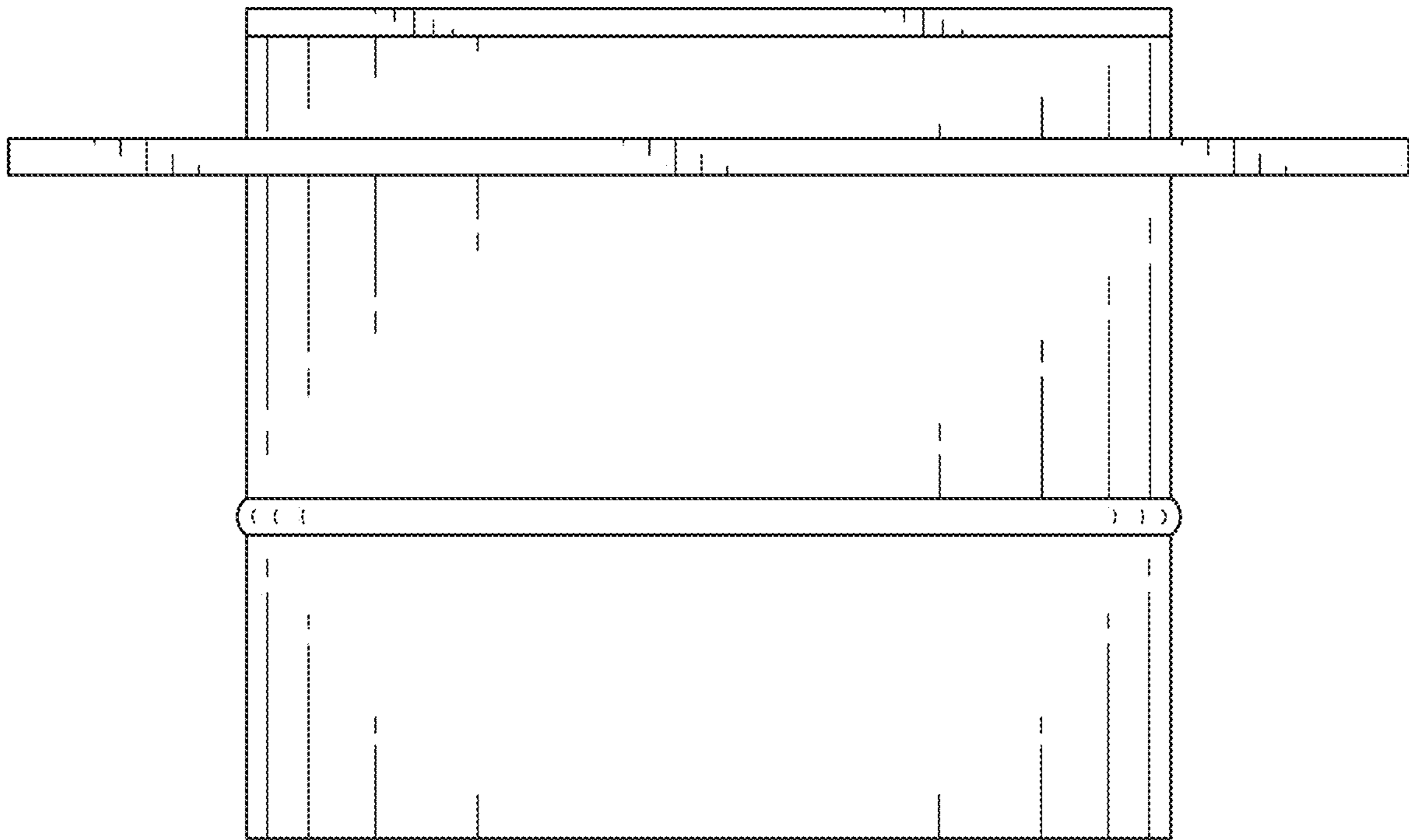


FIG. 22

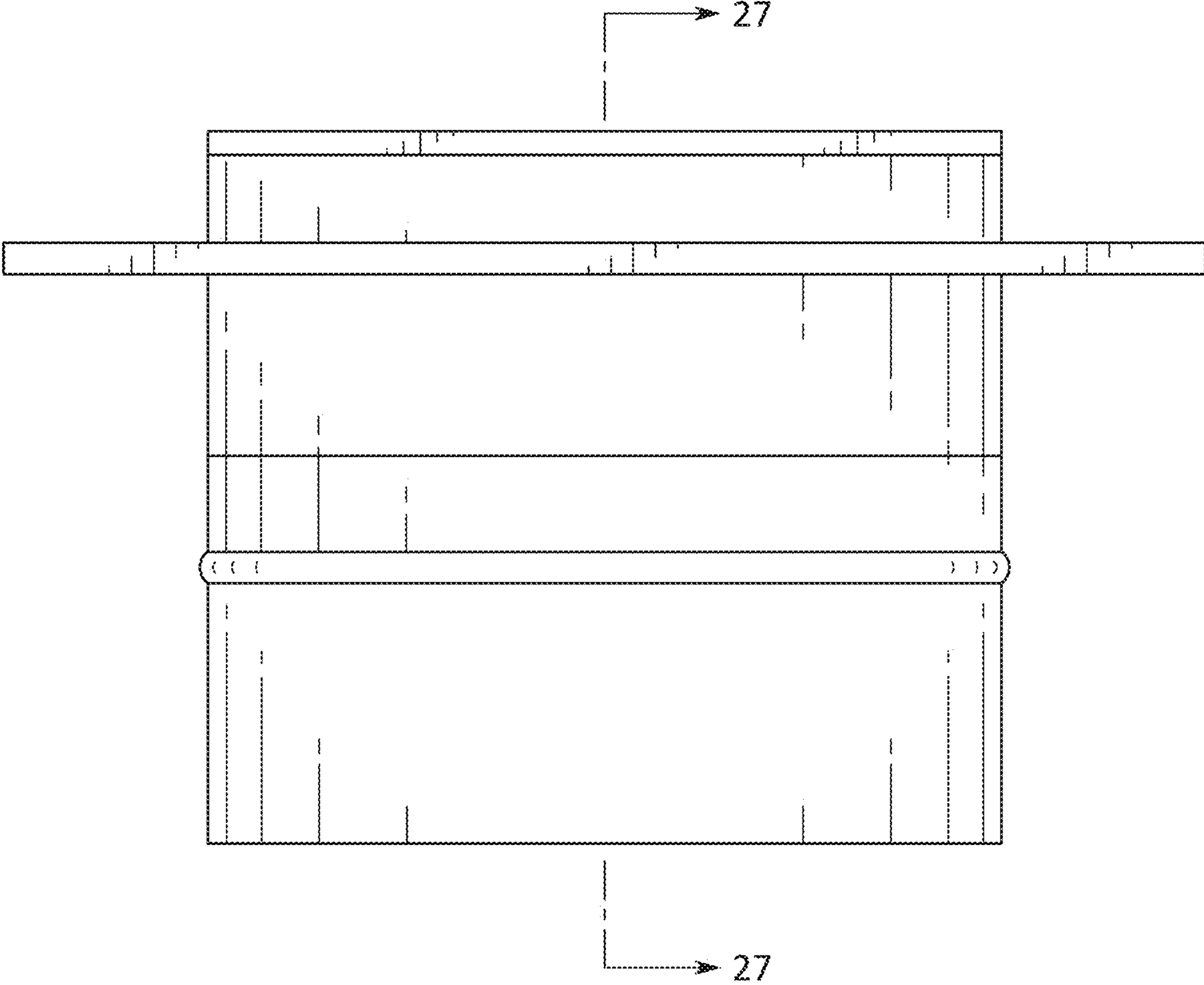


FIG. 23

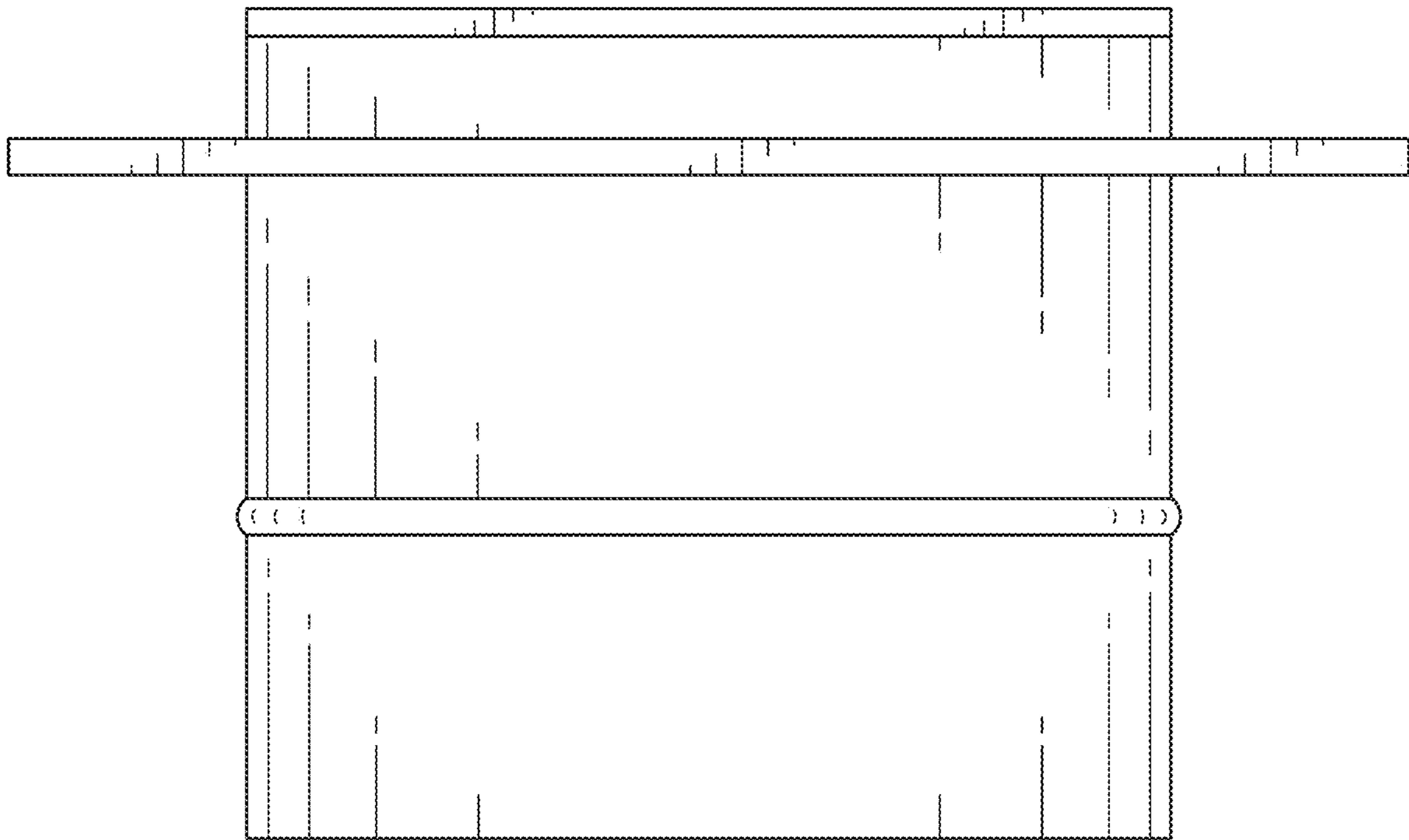


FIG. 24

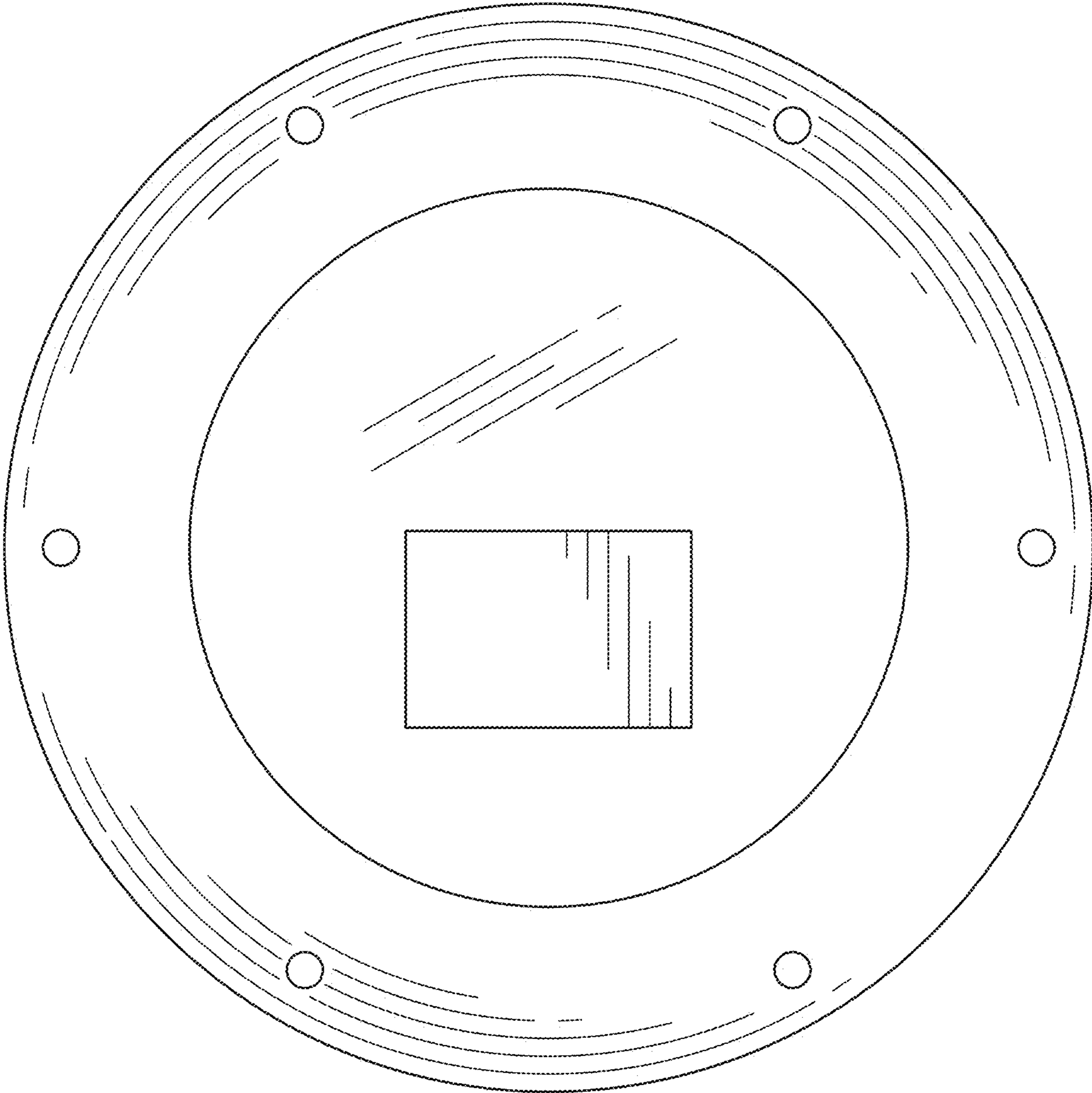


FIG. 25

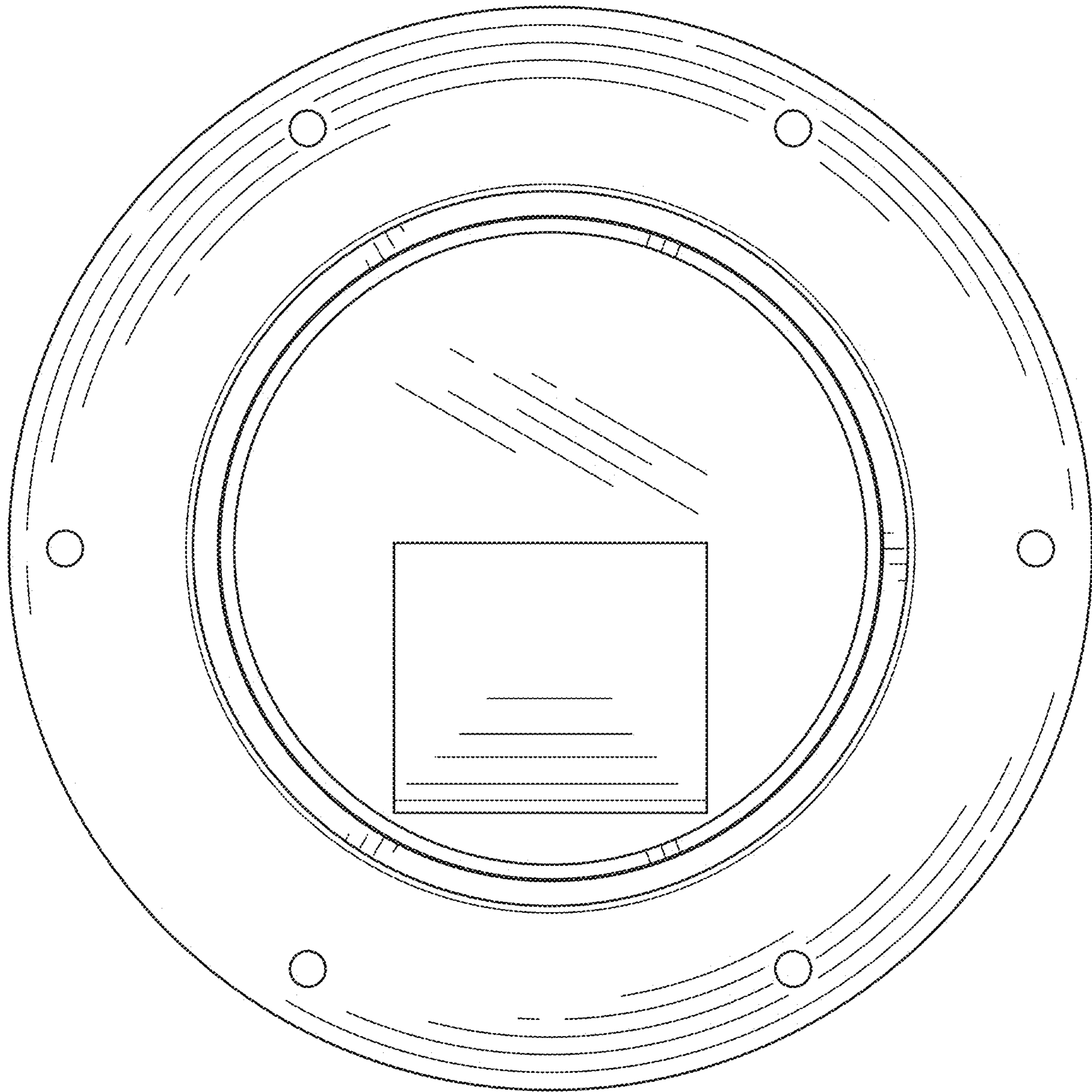


FIG. 26

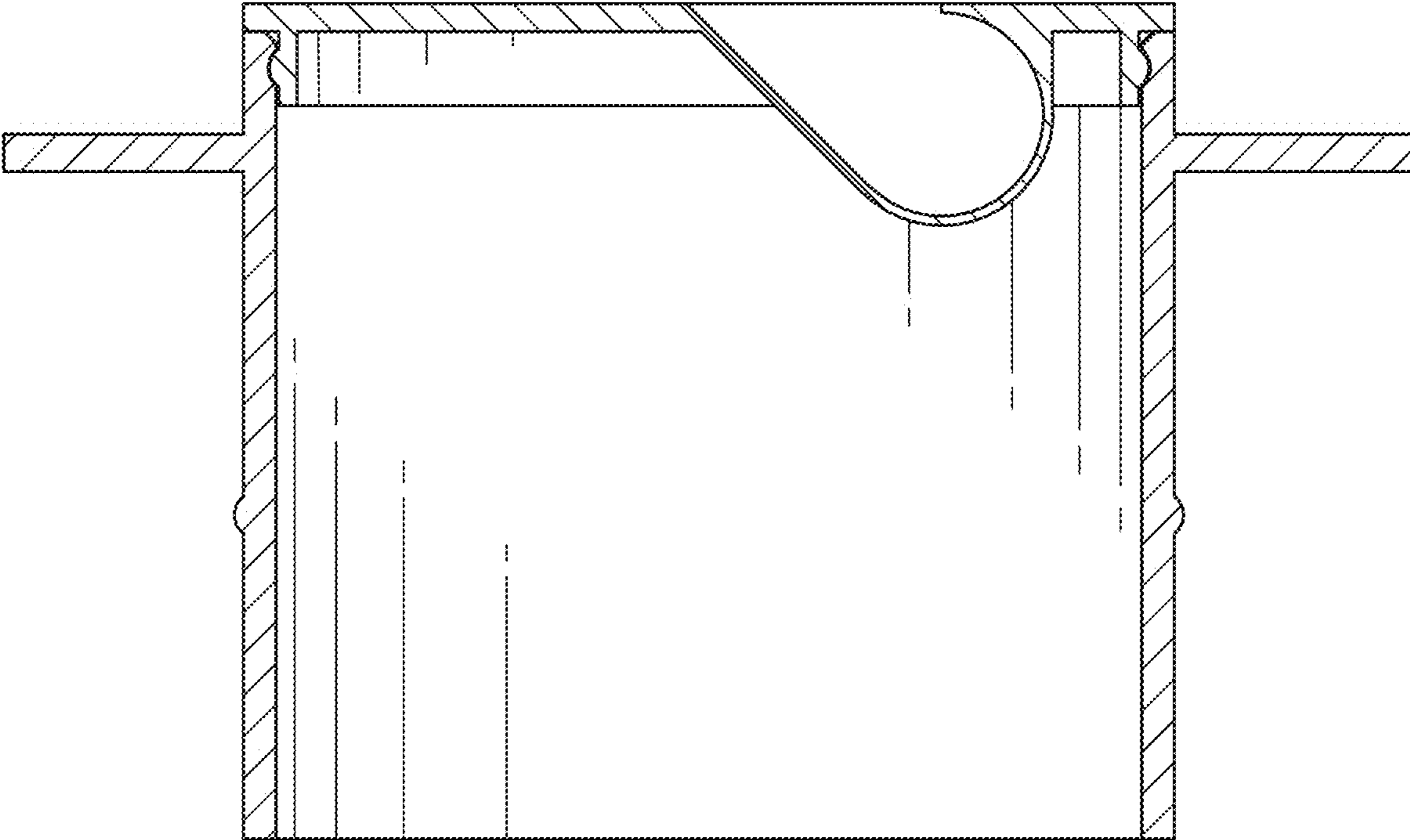


FIG. 27

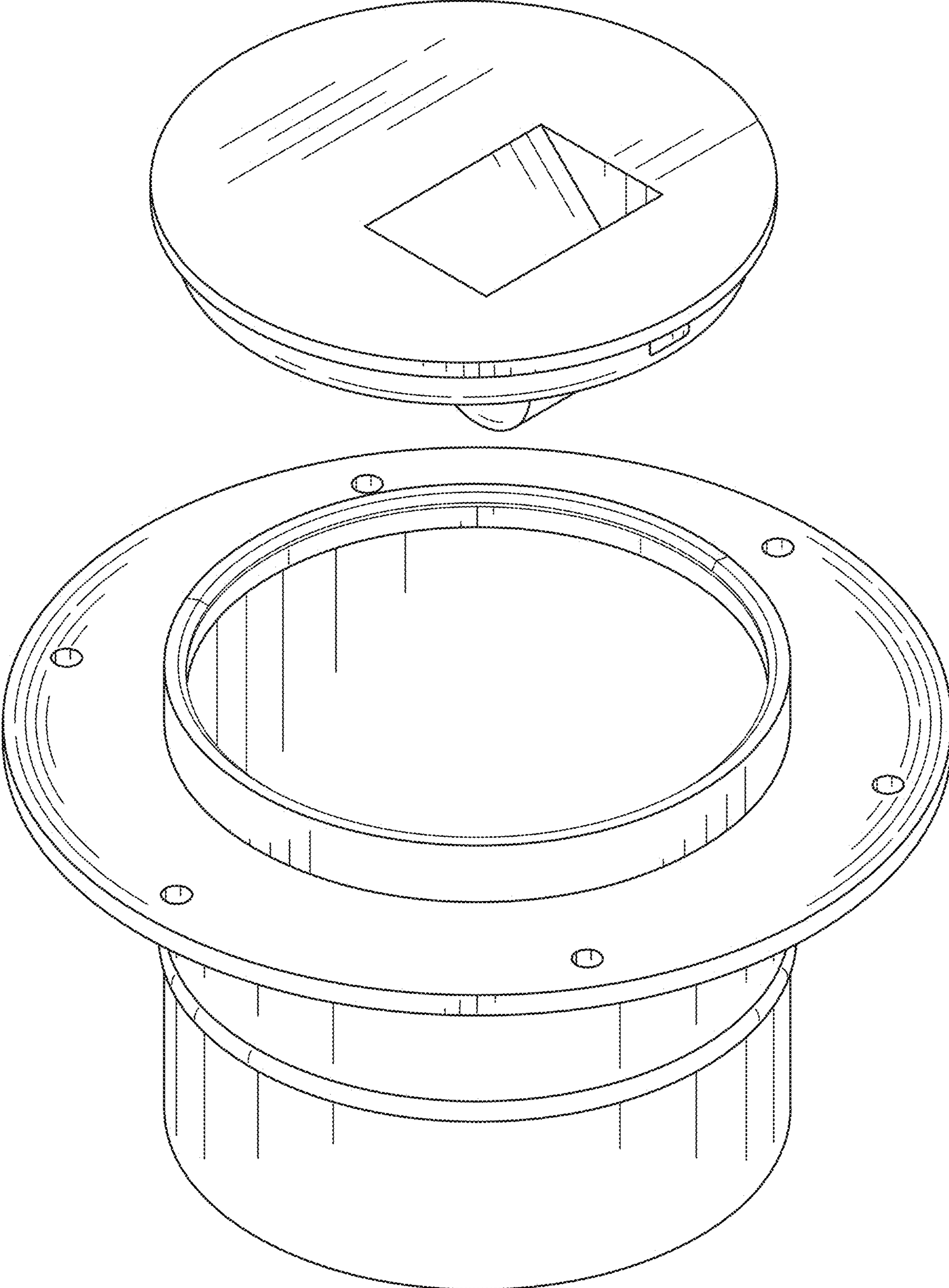


FIG. 28

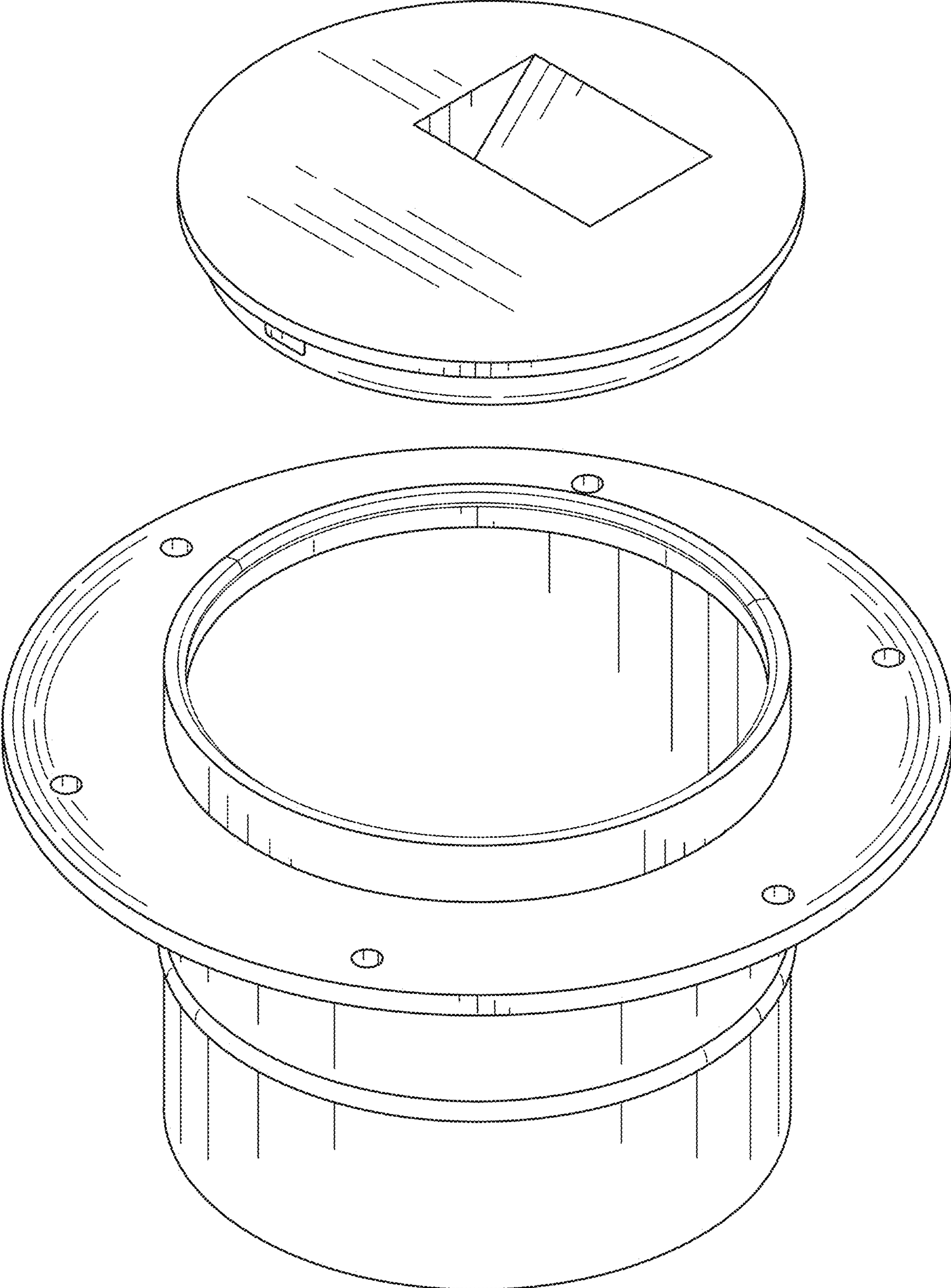


FIG. 29