



US00D941455S

(12) **United States Design Patent**
Ennesser

(10) **Patent No.:** **US D941,455 S**
(45) **Date of Patent:** **** Jan. 18, 2022**

(54) **CEILING FAN WITH SPORTS ITEMS**

(71) Applicant: **Dean Ennesser**, Dowagiac, MI (US)

(72) Inventor: **Dean Ennesser**, Dowagiac, MI (US)

(**) Term: **15 Years**

(21) Appl. No.: **29/746,394**

(22) Filed: **Aug. 13, 2020**

(51) **LOC (13) Cl.** **23-04**

(52) **U.S. Cl.**
USPC **D23/377; D23/413**

(58) **Field of Classification Search**
USPC D23/370, 377, 385, 411; D26/59
CPC F04D 25/088; F04D 29/329; F04D 29/703;
F04D 25/08; F04D 25/0606; F04D
29/388; F04D 29/384
See application file for complete search history.

(56) **References Cited**

U.S. PATENT DOCUMENTS

D295,430 S	4/1988	Smith	
D298,454 S	11/1988	Clyde-Mason	
5,028,206 A	7/1991	Kendregan et al.	
5,072,341 A	12/1991	Huang et al.	
5,082,422 A	1/1992	Wang et al.	
D341,194 S	11/1993	Reid et al.	
D359,553 S	6/1995	Hsi	
D365,874 S *	1/1996	Kuo	D23/411
D373,185 S *	8/1996	Tseng	D23/377
D373,628 S *	9/1996	DiSandro	D23/377
D375,156 S *	10/1996	Tseng	D23/377
D376,641 S *	12/1996	Bucher	D23/377
D382,953 S *	8/1997	Kuo	D23/377
D383,532 S *	9/1997	Pearce	D23/377
D386,258 S *	11/1997	Pearce	D23/377
D390,649 S *	2/1998	Pearce	D23/377
D394,501 S *	5/1998	Bloom	D23/332

D398,980 S *	9/1998	Pearce	D23/377
D400,668 S *	11/1998	Bloom	D23/379
D416,082 S *	11/1999	Bloom	D23/379
D417,495 S *	12/1999	Yang	D23/377
D420,733 S *	2/2000	Chen	D23/377
6,036,331 A	3/2000	Acquisto	
D571,952 S *	6/2008	Badarello	D26/152
7,385,528 B2	6/2008	Gomez	
D725,763 S *	3/2015	Bisla	D23/370
D878,541 S	3/2020	Holmes et al.	
D880,684 S	4/2020	Norwood et al.	
D882,748 S	4/2020	Haggar	
D883,465 S	5/2020	Byrne	
D883,468 S	5/2020	Haggar	
D884,145 S	5/2020	Holmes	
D921,870 S *	6/2021	Cohen	D23/377

* cited by examiner

Primary Examiner — Janice Hallmark
(74) *Attorney, Agent, or Firm* — Suzanne Kikel, Patent Agent

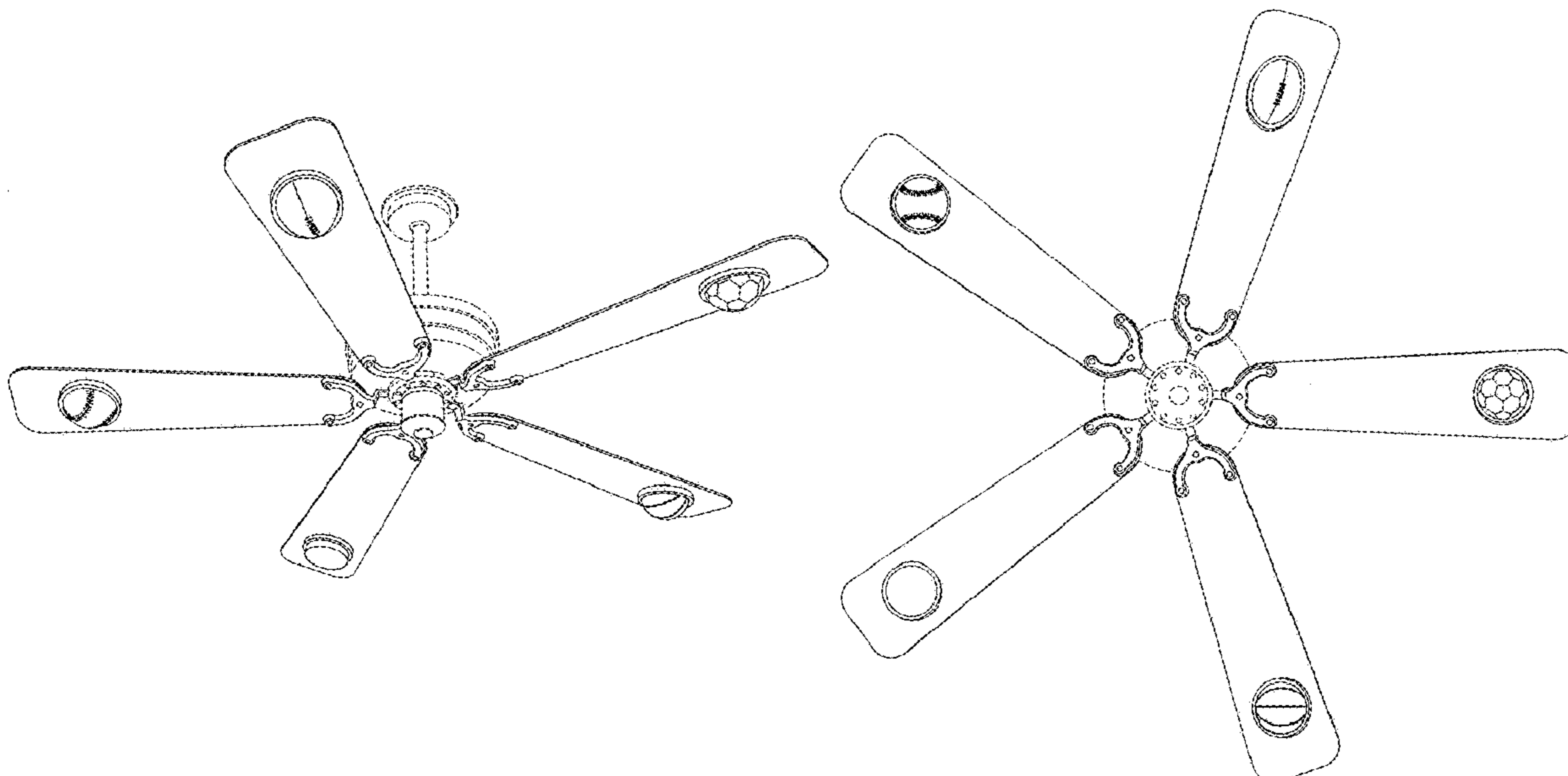
(57) **CLAIM**

The ornamental design for a ceiling fan with sports items, as shown and described.

DESCRIPTION

FIG. 1 is a bottom perspective view of a ceiling fan with sports items, showing my new design; FIG. 2 is a top perspective view thereof; FIG. 3 is a front view of FIG. 1; FIG. 4 is a rear view thereof; FIG. 5 is a left side view thereof; FIG. 6 is a right side view thereof; FIG. 7 is a top view thereof; and, FIG. 8 is a bottom view thereof. Portions of the ceiling fan shown in broken lines form no part of the claimed design.

1 Claim, 8 Drawing Sheets



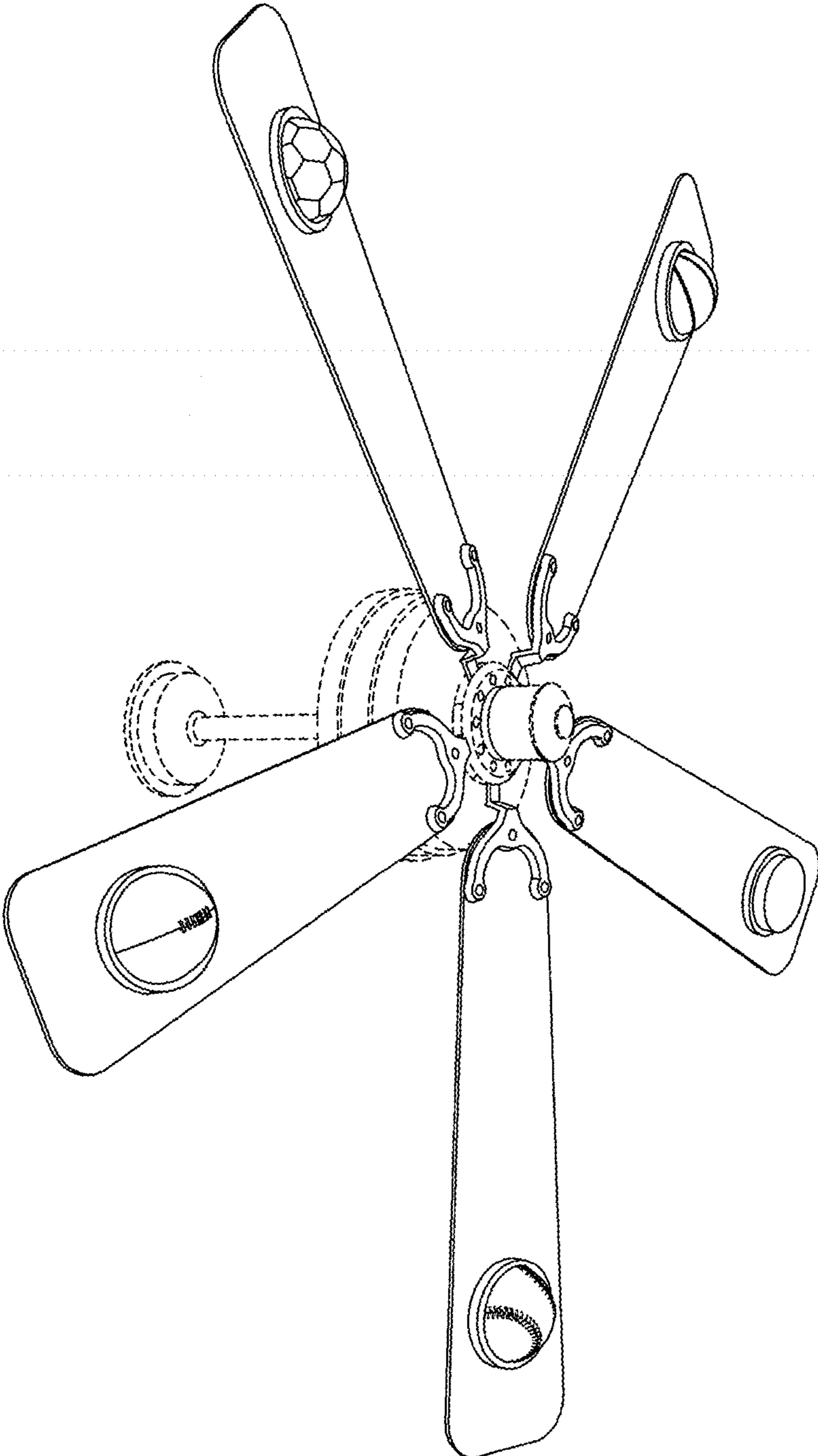


FIG. 1

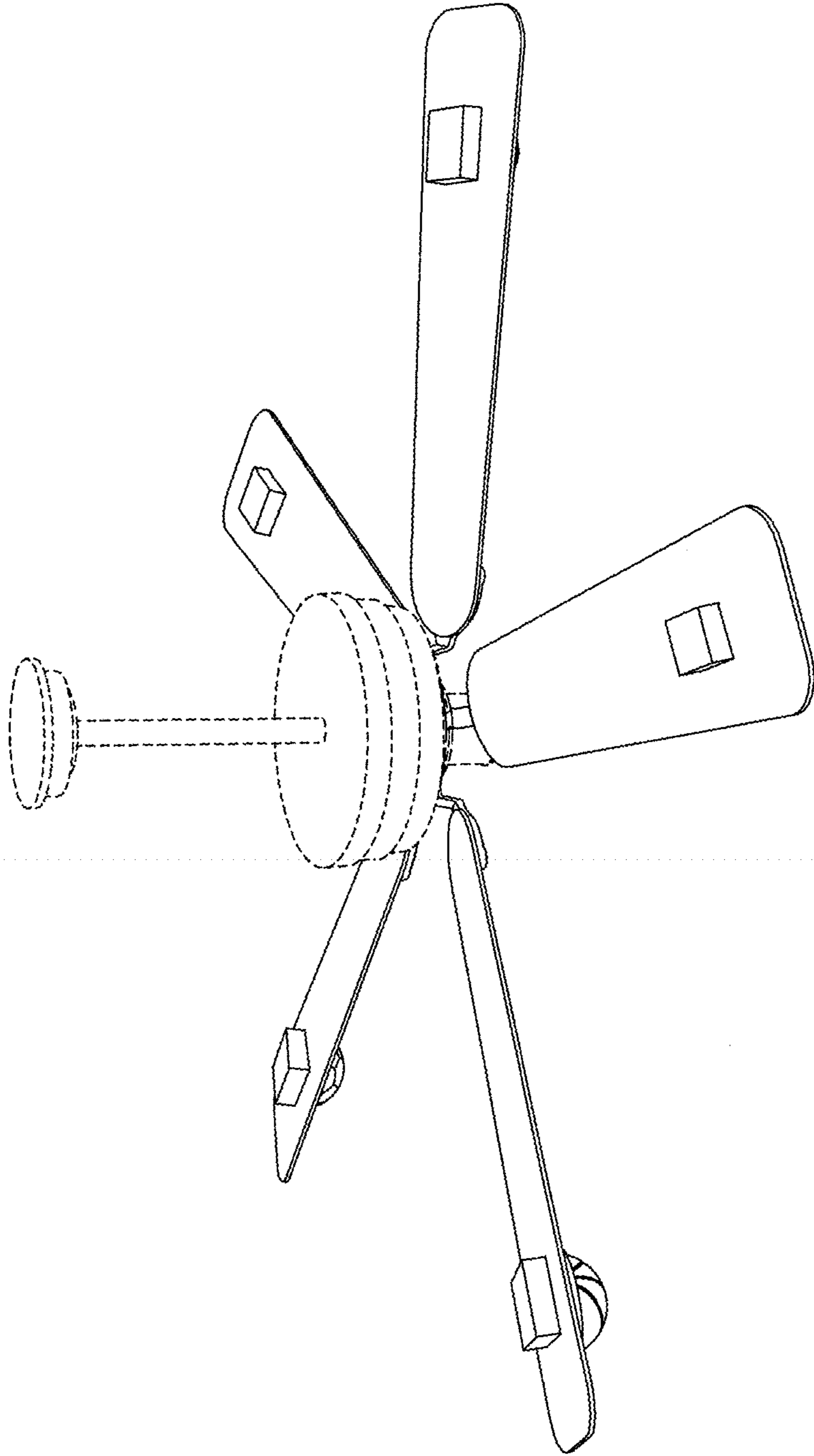


FIG. 2

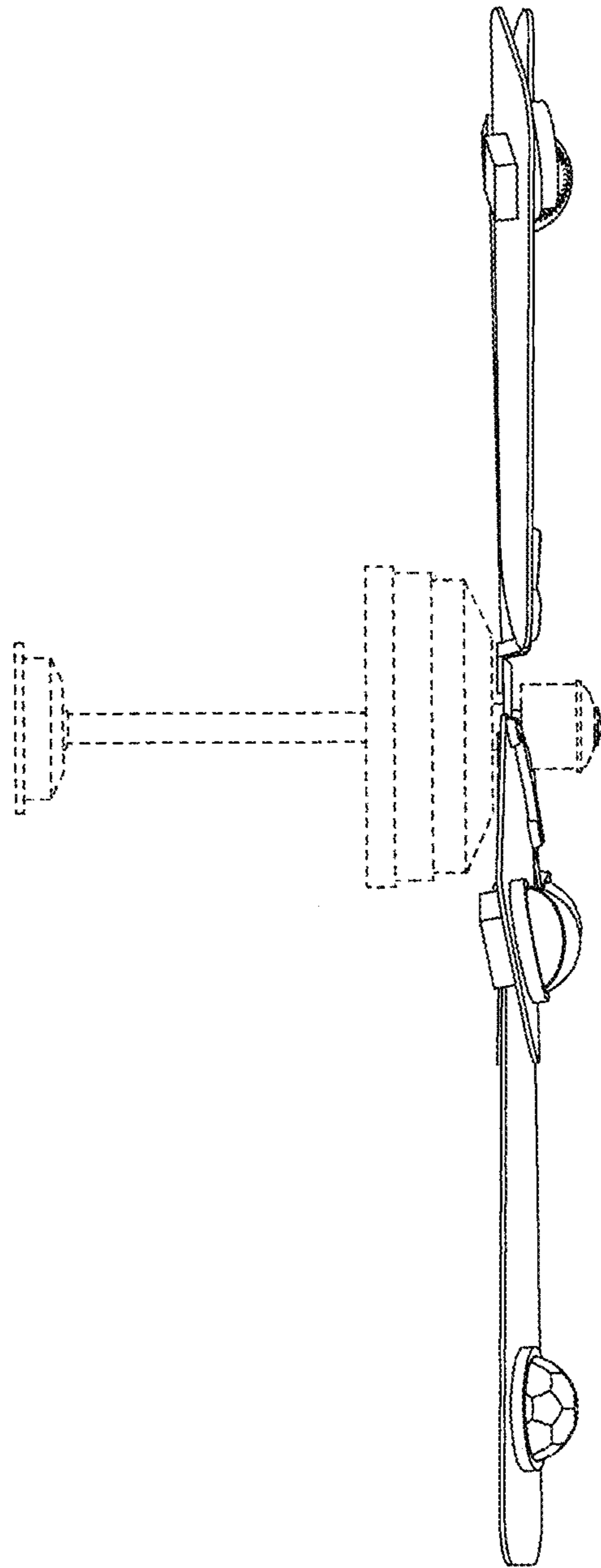


FIG. 3

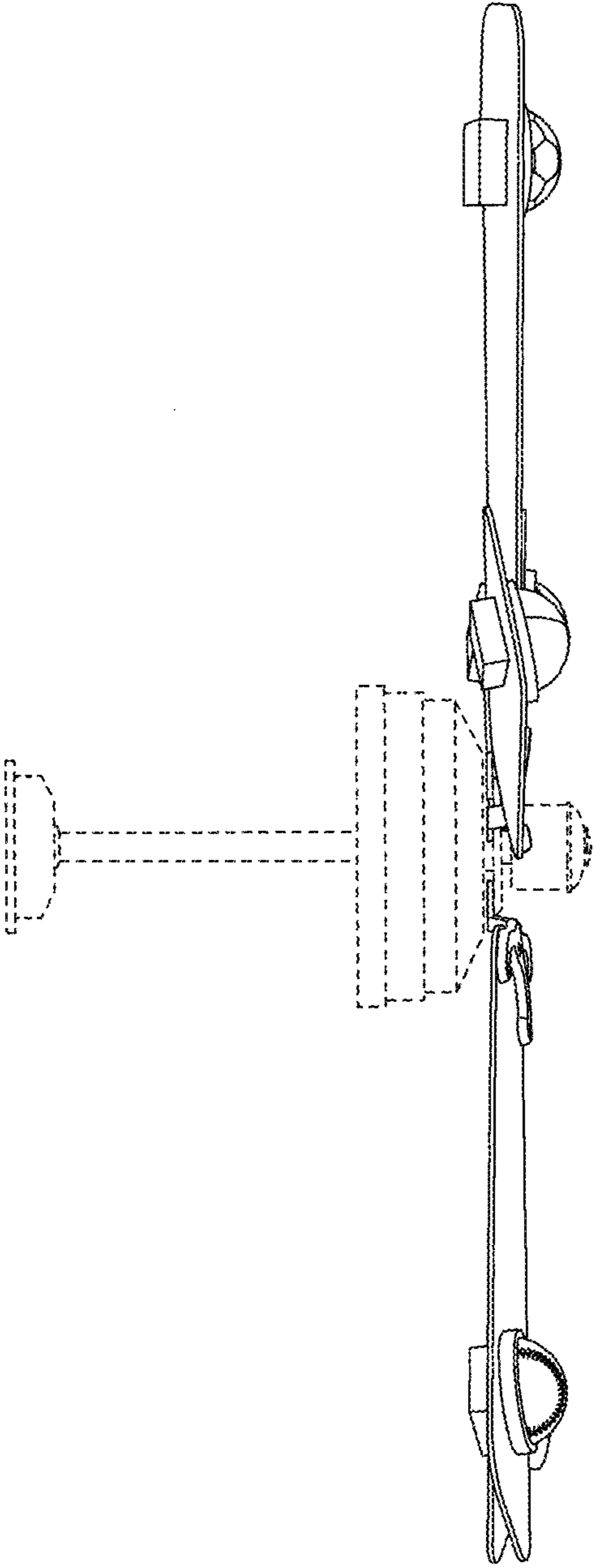


FIG. 4

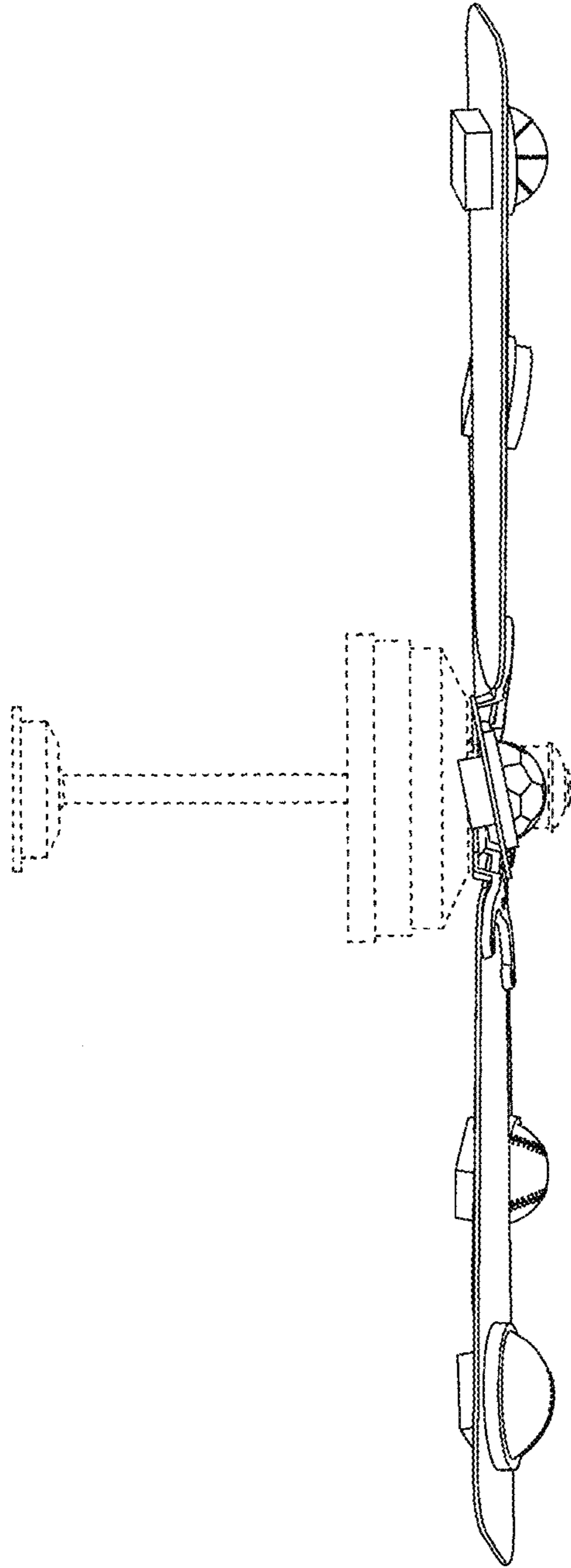


FIG. 5

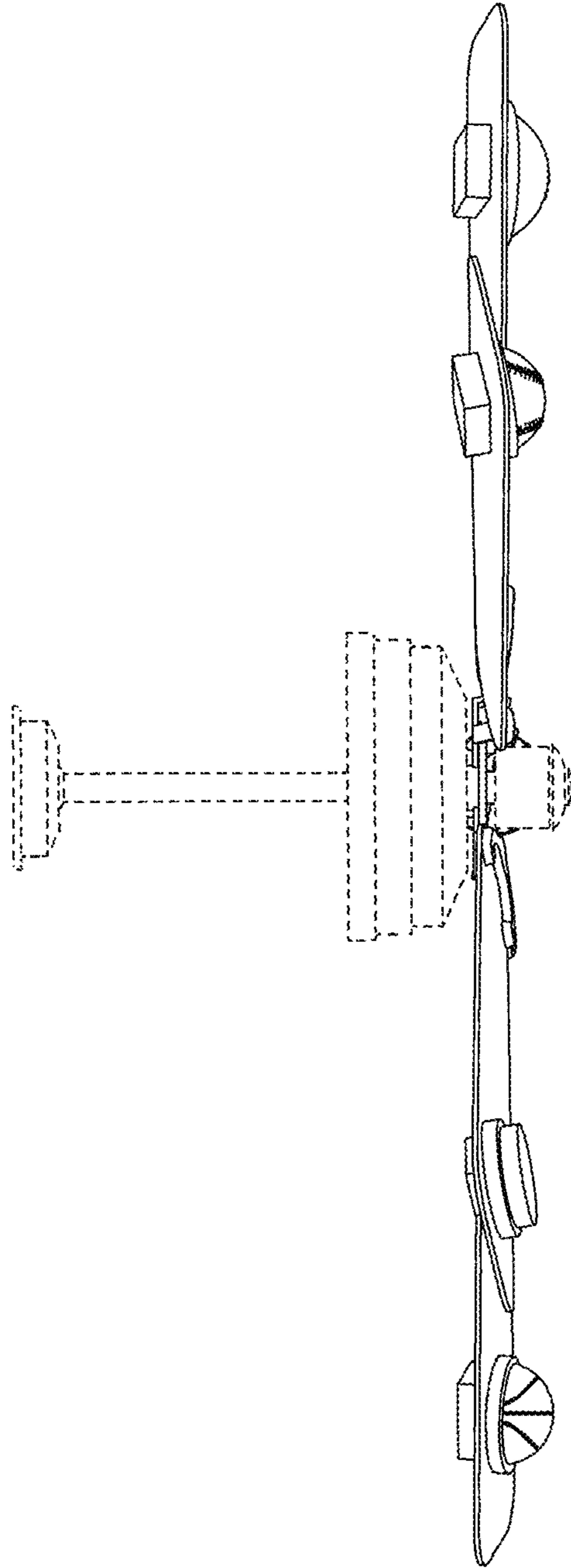


FIG. 6

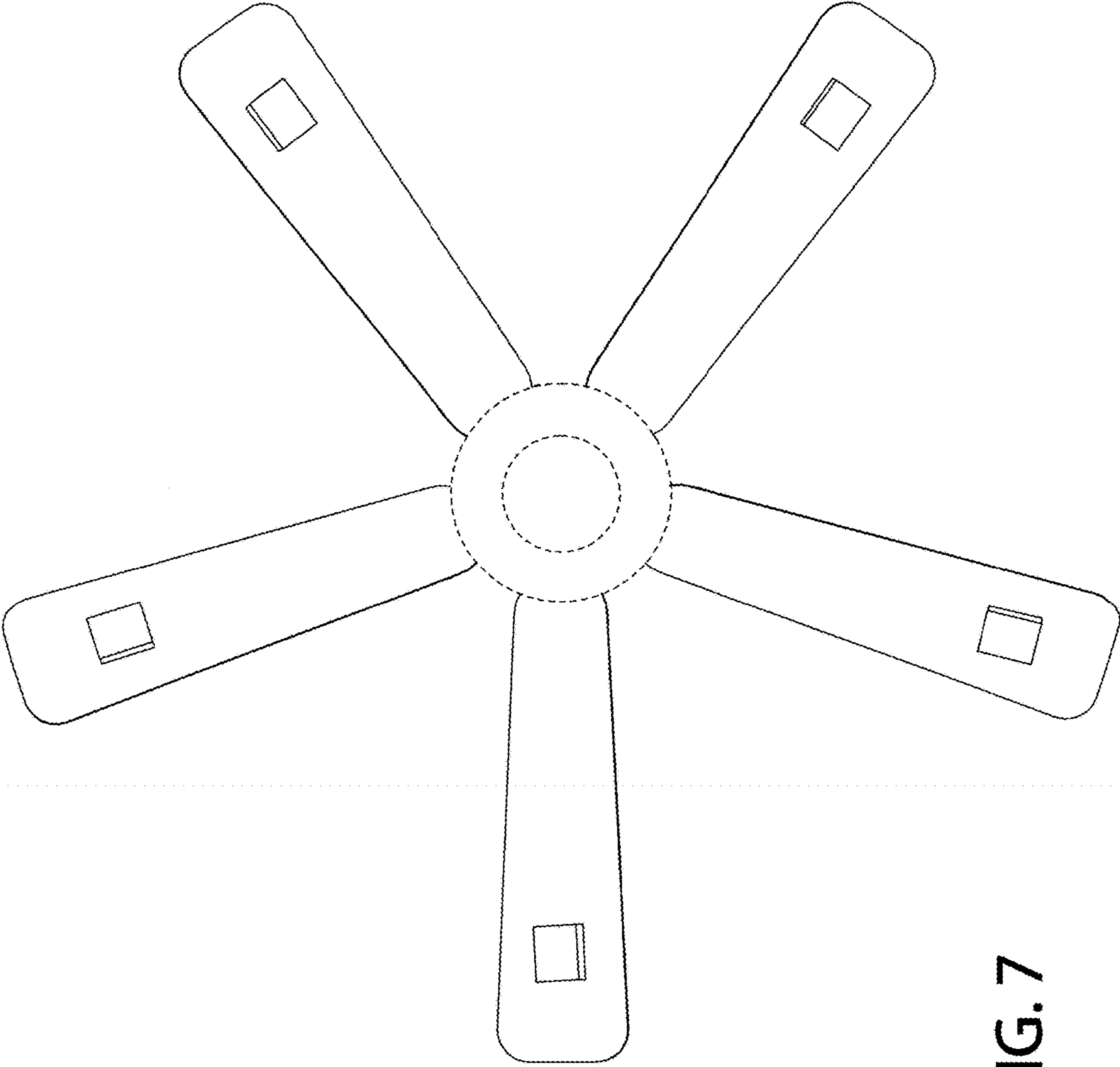


FIG. 7

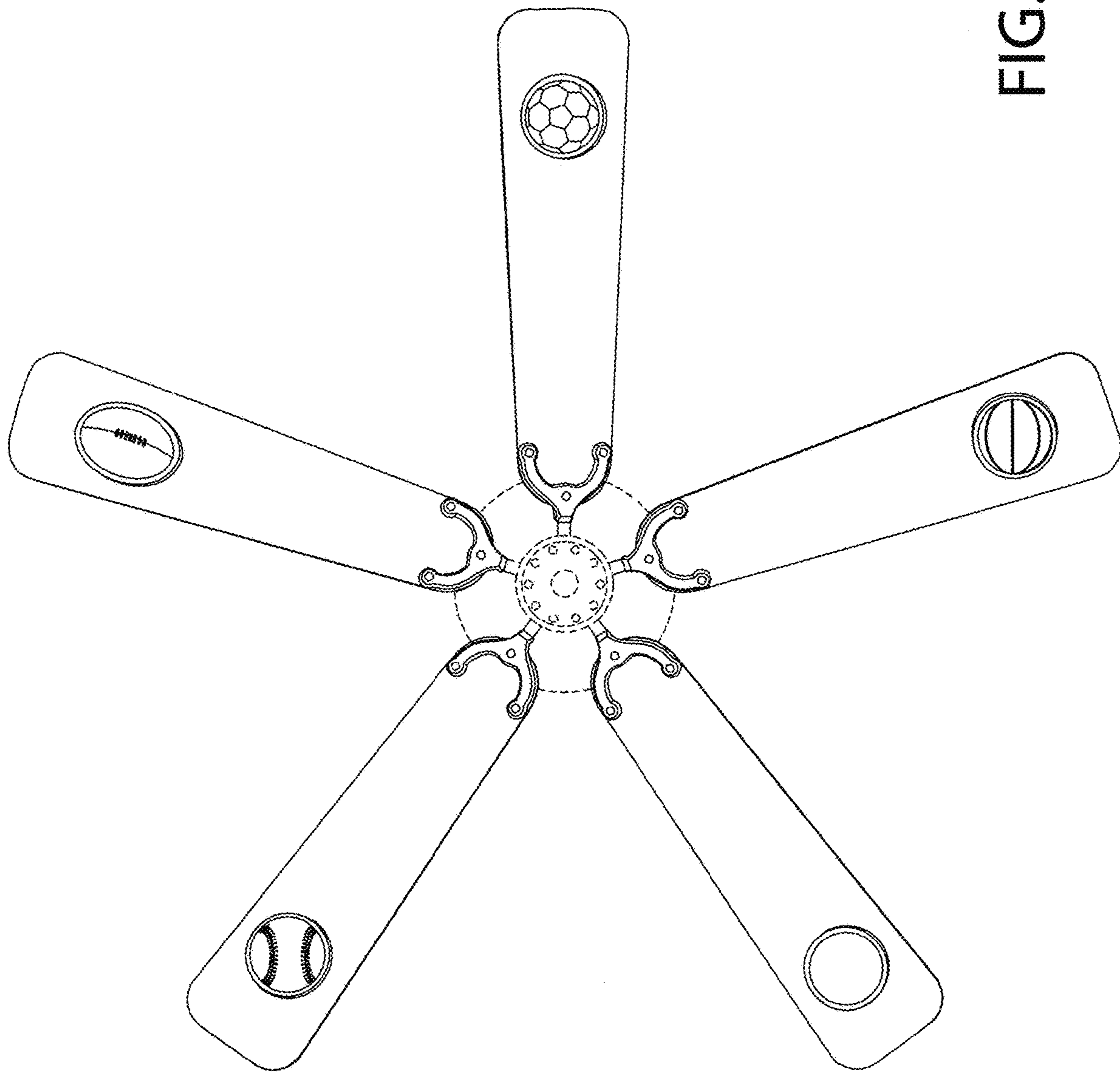


FIG. 8