

US00D941454S

(12) **United States Design Patent**
Eiffert et al.

(10) **Patent No.:** **US D941,454 S**
(45) **Date of Patent:** **** Jan. 18, 2022**

(54) **CEILING FAN**

(71) Applicant: **HUNTER FAN COMPANY,**
Memphis, TN (US)

(72) Inventors: **Ryan Lee Eiffert,** Memphis, TN (US);
Claire Bernice McRoberts, La Jolla,
CA (US)

(73) Assignee: **Hunter Fan Company,** Memphis, TN
(US)

(**) Term: **15 Years**

(21) Appl. No.: **29/724,069**

(22) Filed: **Feb. 12, 2020**

(51) **LOC (13) Cl.** **23-04**

(52) **U.S. Cl.**
USPC **D23/377**

(58) **Field of Classification Search**
USPC D23/370, 377, 385, 411; D26/59, 88,
D26/128, 129
CPC F04D 25/088; F04D 29/329; F04D 29/703;
F04D 25/08; F04D 25/0606; F04D
29/388; F04D 29/384
See application file for complete search history.

(56) **References Cited**

U.S. PATENT DOCUMENTS

D489,810 S	5/2004	Burns	
D567,421 S	4/2008	Pan	
D782,644 S	3/2017	Wang	
D798,431 S	9/2017	McRoberts	
D799,665 S	10/2017	Wang	
D804,011 S *	11/2017	Holmes	D23/377
D804,631 S *	12/2017	Holmes	D23/377
D804,636 S *	12/2017	Guthrie	D23/377
D804,637 S	12/2017	Holmes	
D810,919 S	2/2018	Haggar	
D834,698 S	11/2018	Hildago	
D873,987 S *	1/2020	Biancuzzo	D23/377

D875,980 S *	2/2020	O'Connell	D26/59
D876,697 S *	2/2020	McRoberts	D26/59
D888,221 S *	6/2020	O'Connell	D23/377
D894,364 S *	8/2020	Schulzman	D23/377
D894,457 S *	8/2020	McRoberts	D26/59
D918,376 S *	5/2021	Schulzman	D23/411

(Continued)

OTHER PUBLICATIONS

<https://www.hunterfan.com/ceiling-fans/bennett-with-3-lights-52-inch-fan788>, Hunter Fan Bennett 52 Inch Ceiling Fan in Brushed Nickel with 3 Lights, Item No. 54190, accessed Jan. 9, 2019.

(Continued)

Primary Examiner — Janice Hallmark

(74) *Attorney, Agent, or Firm* — McGarry Bair PC

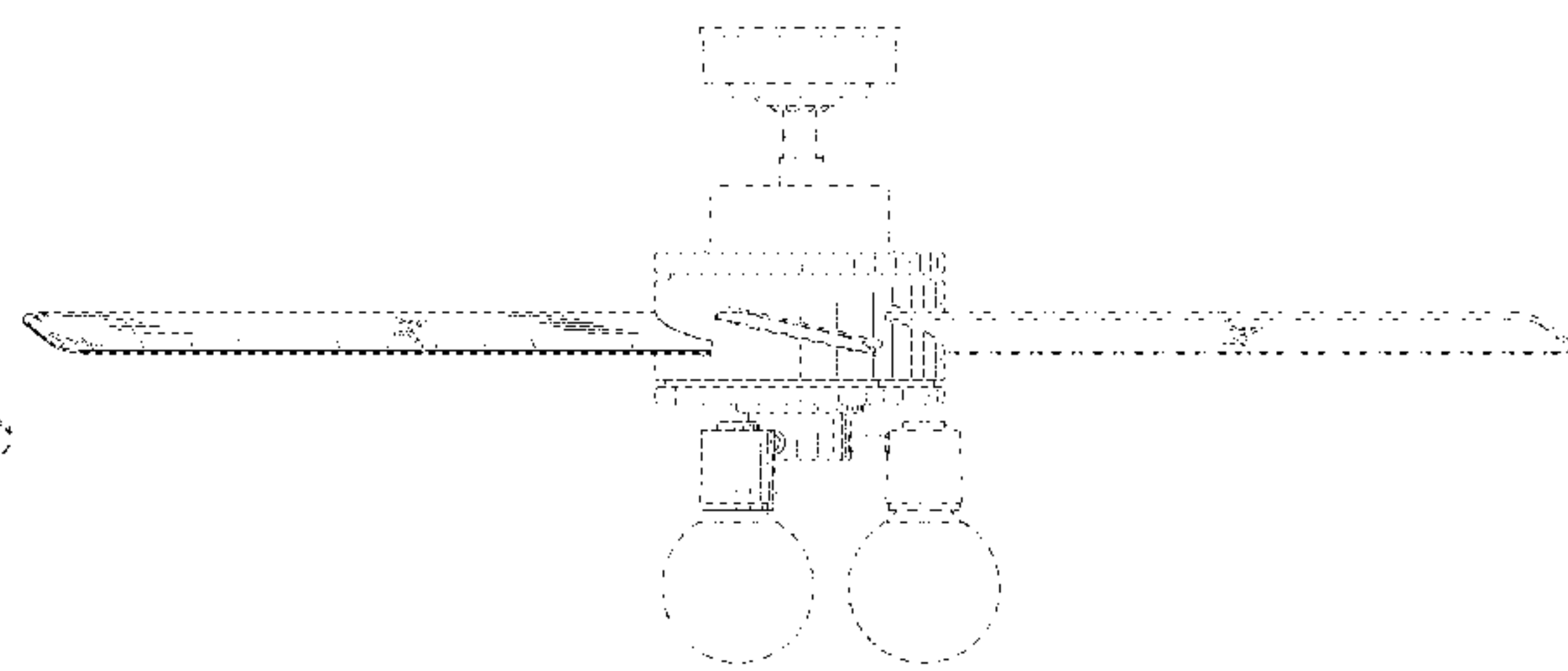
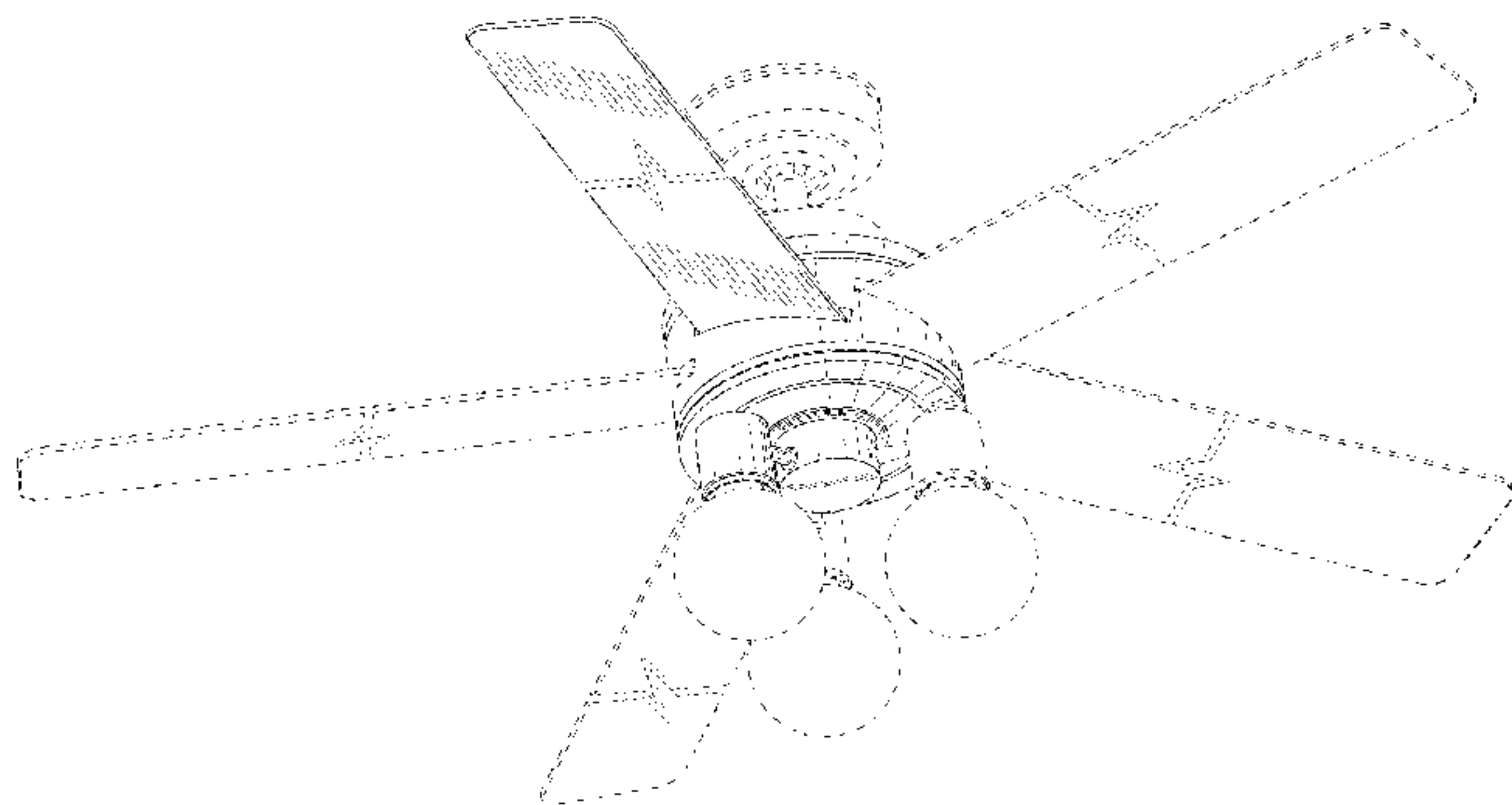
(57) **CLAIM**

The ornamental design for a ceiling fan, as shown and described.

DESCRIPTION

FIG. 1 is a top perspective view of a ceiling fan, showing our new design;
FIG. 2 is a bottom perspective view thereof;
FIG. 3 is a top view thereof;
FIG. 4 is a bottom view thereof;
FIG. 5 is a front view thereof;
FIG. 6 is a rear view thereof;
FIG. 7 is a right side view thereof; and,
FIG. 8 is a left side view thereof.
Portions of the ceiling fan are shown in broken lines, and portions of the ceiling fan shown in broken lines form no part of the claimed design. Portions of the ceiling fan blades shown in jagged break lines show an unclaimed indeterminate length for the ceiling fan blades. Portions of the ceiling fan blades shown in jagged break lines form no part of the claimed design.

1 Claim, 8 Drawing Sheets



(56)

References Cited

U.S. PATENT DOCUMENTS

D921,880 S * 6/2021 Hagggar D23/411

OTHER PUBLICATIONS

<https://www.amazon.com/dp/B00IRQU0ZO/?tag=dikbuy-20>, Craftmade Trenton 54" Ceiling Fan with Butcher Block Blades and Exposed Bulb Glass, Model No. TRE54PT5, accessed Jan. 9, 2019.

<https://www.hunterfan.com/ceiling-fans/devon-park-with-led-light-52-inch-famc45>, Hunter Fan Devon Park 52 Inch Ceiling Fan in Brushed Nickel with LED Light, Item No. 50604, accessed Jan. 9, 2019.

<https://www.minkagroup.net/f8521-hbz.html>, Minka Alva 56" Ceiling Fan with LED light in Heirloom Bronze Finish with Aged Boardwalk Blades, Model No. F852L-HBZ, accessed Jan. 9, 2019.

<https://www.hunterfan.com/ceiling-fans/crestfield-low-profile-with-3-led-lights-52-inch-fam839>, Hunter Fan 52" Crestfield Low Profile Ceiling Fan in Brushed Nickel with 3 LED Lights, Item No. 54209, accessed Jan. 9, 2019.

https://quoruminternational.com/search_individual_result.asp?current=895555&page=1, Quorum International Breeze 4LT Ceiling Fan Uni-Pack, Item No. 70525-469, accessed Jan. 9, 2019.

<https://www.homedepot.com/p/Hampton-Bay-Ellijay-52-in-Indoor-Outdoor-Natural-Iron-Ceiling-Fan-with-Light-Kit-YG205-NI/202549824>, Hampton Bay Ellijay 52 in. Indoor/Outdoor Natural Iron Ceiling Fan with Light Kit, Model No. YG205-NI, accessed Jan. 9, 2019.

* cited by examiner

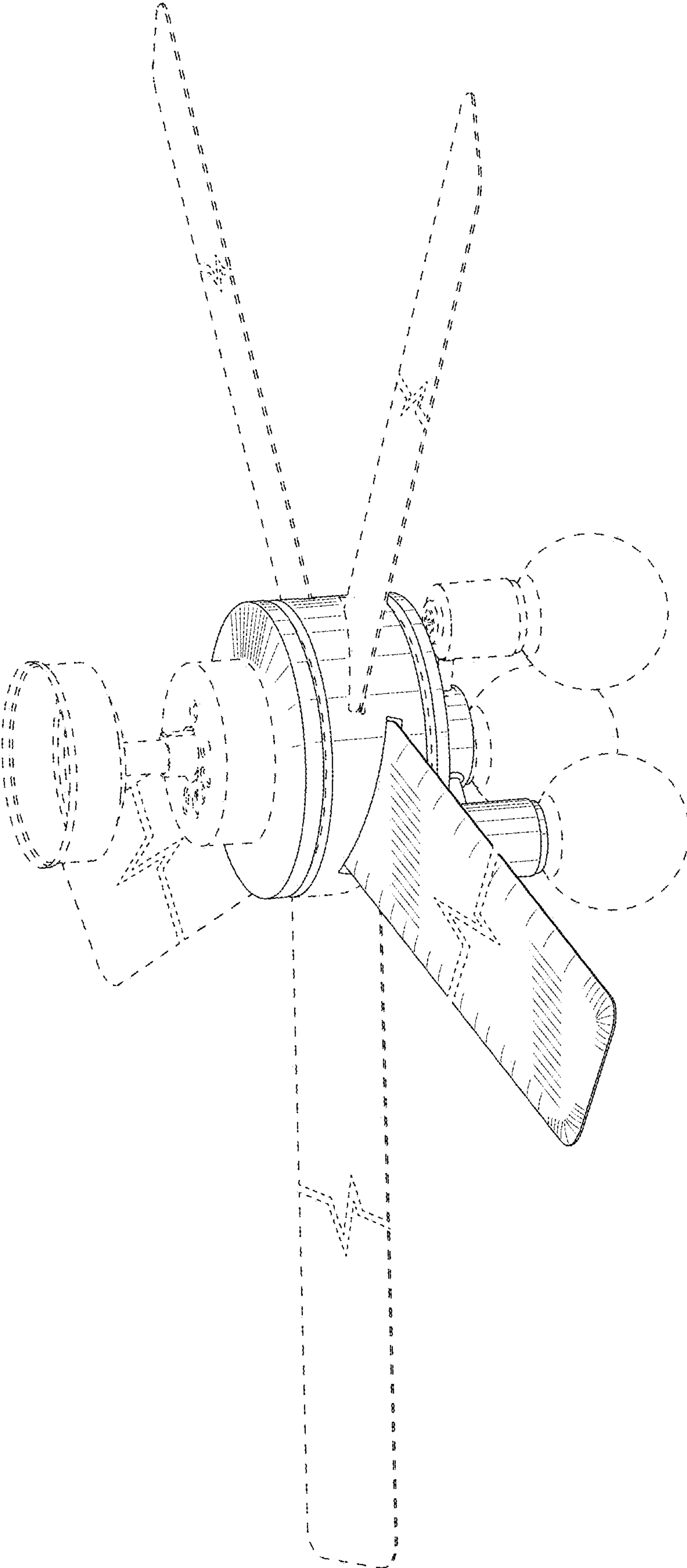


FIG. 1

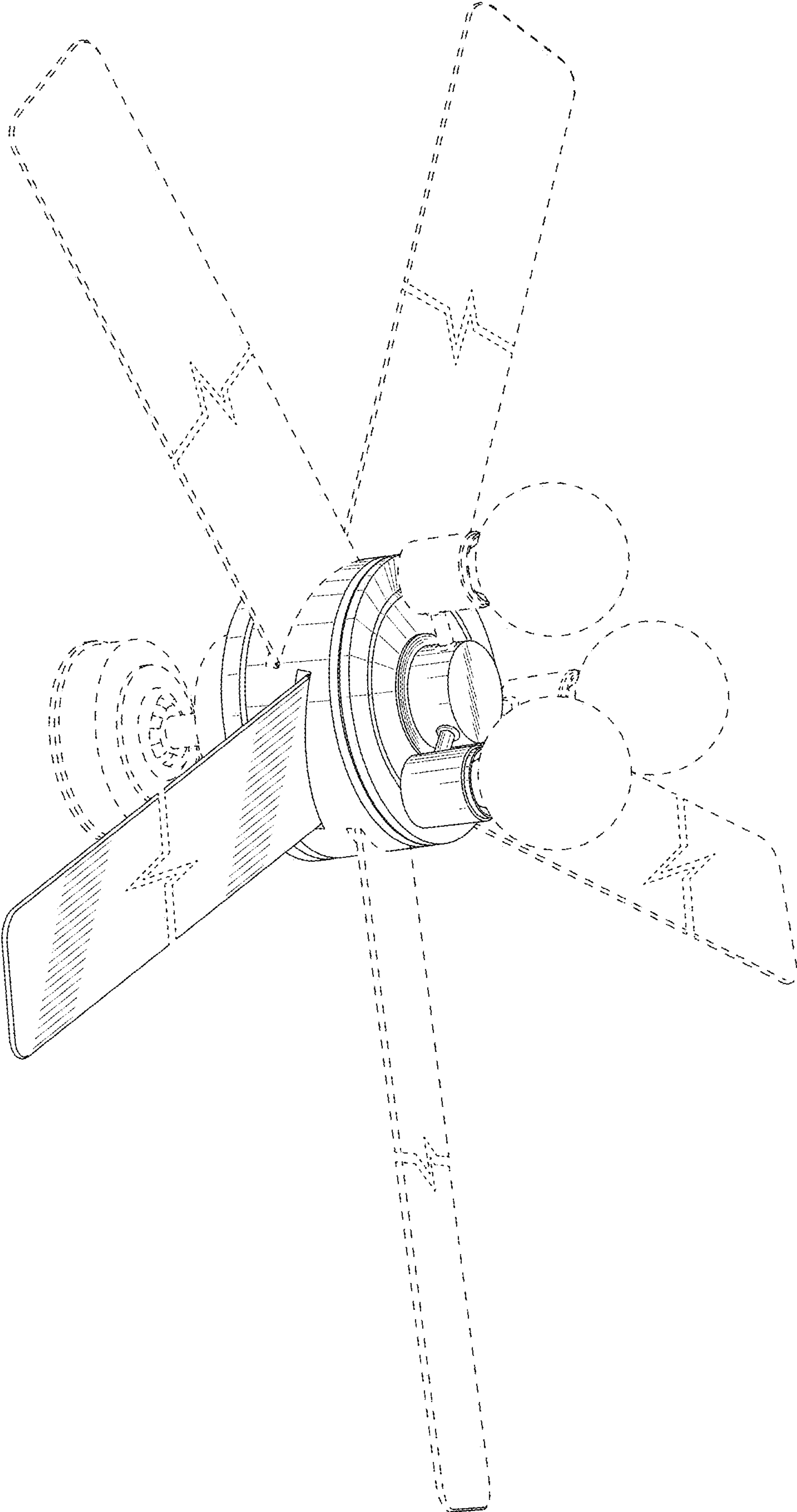


FIG. 2

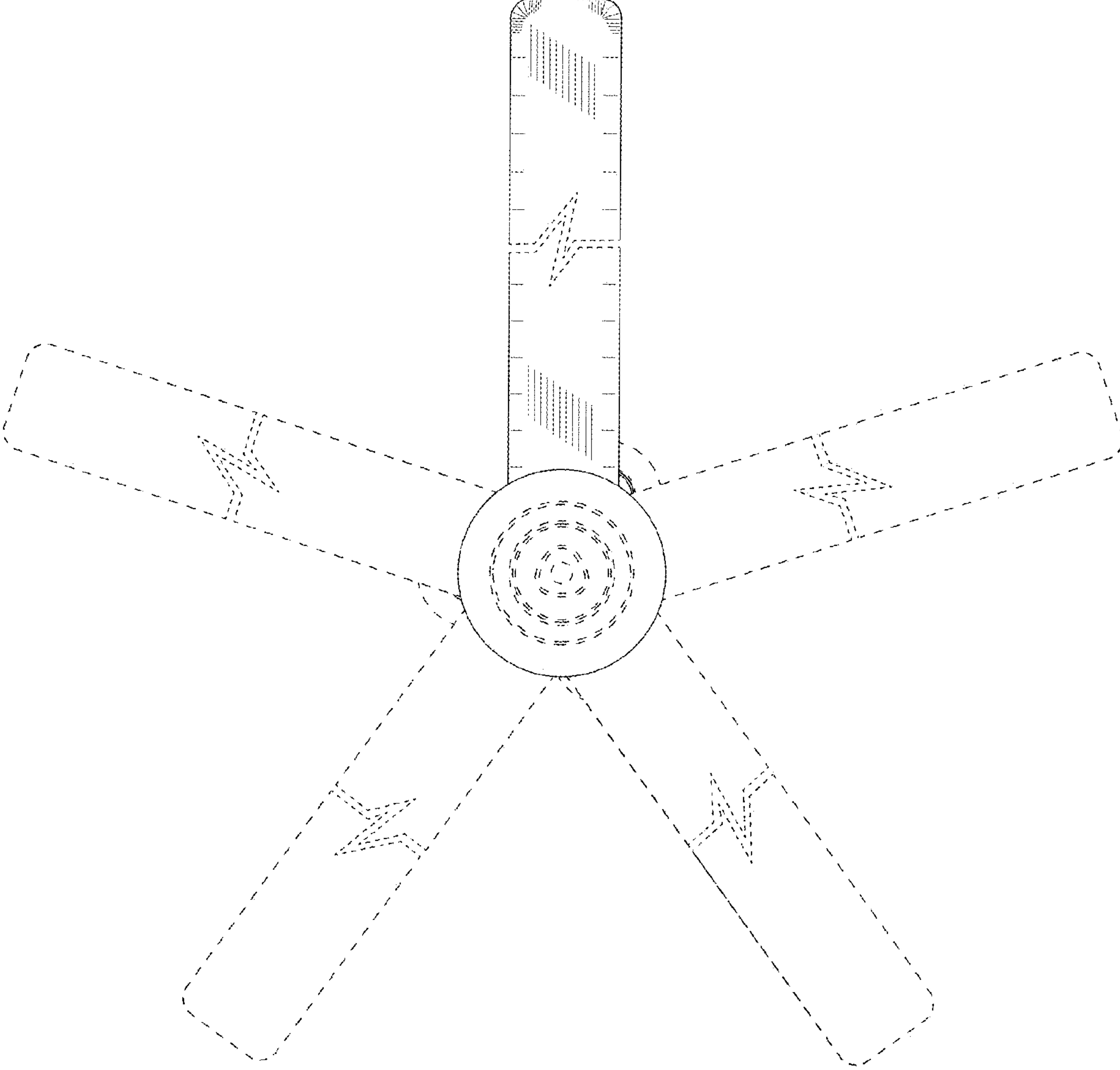


FIG. 3

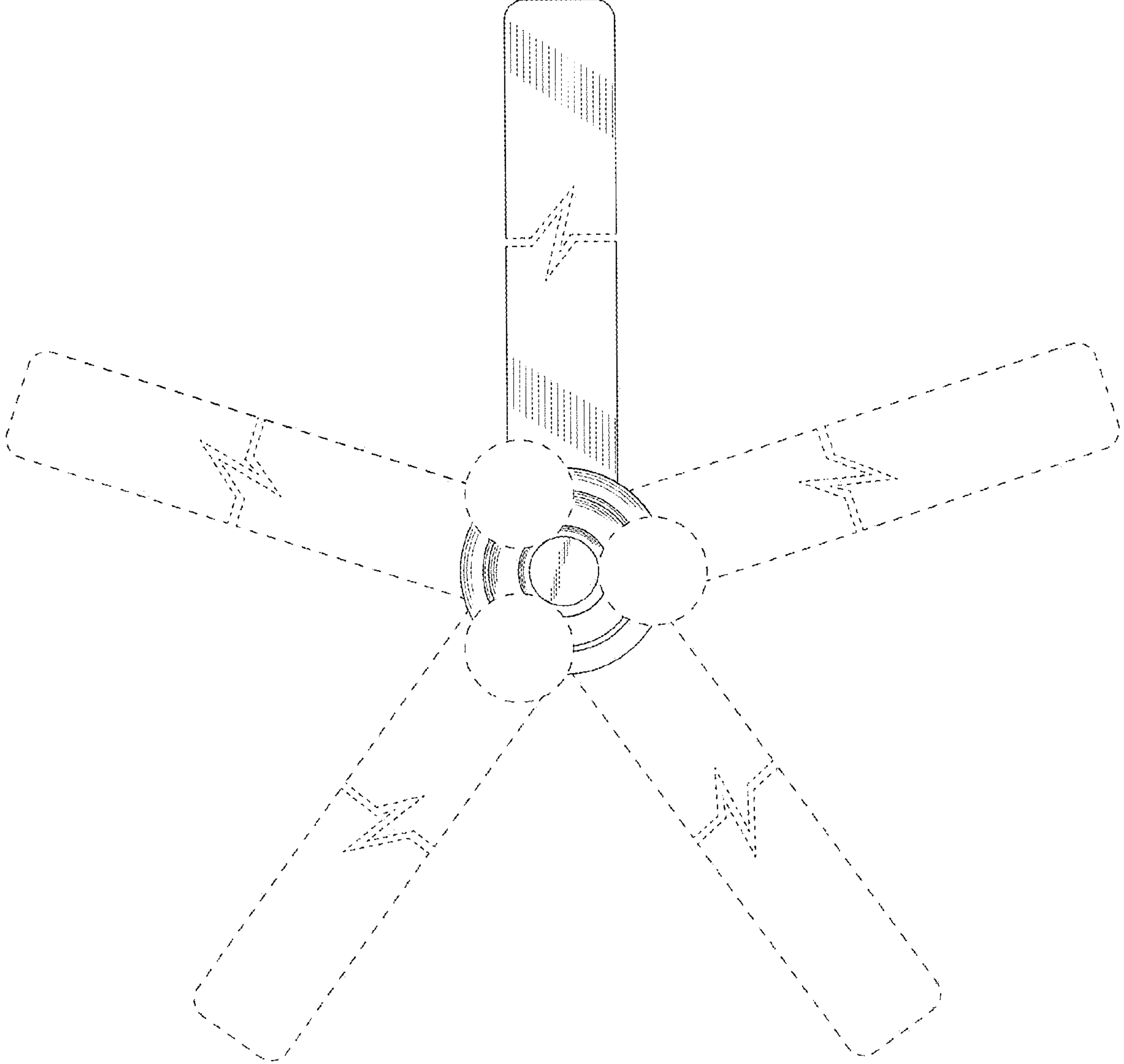


FIG. 4

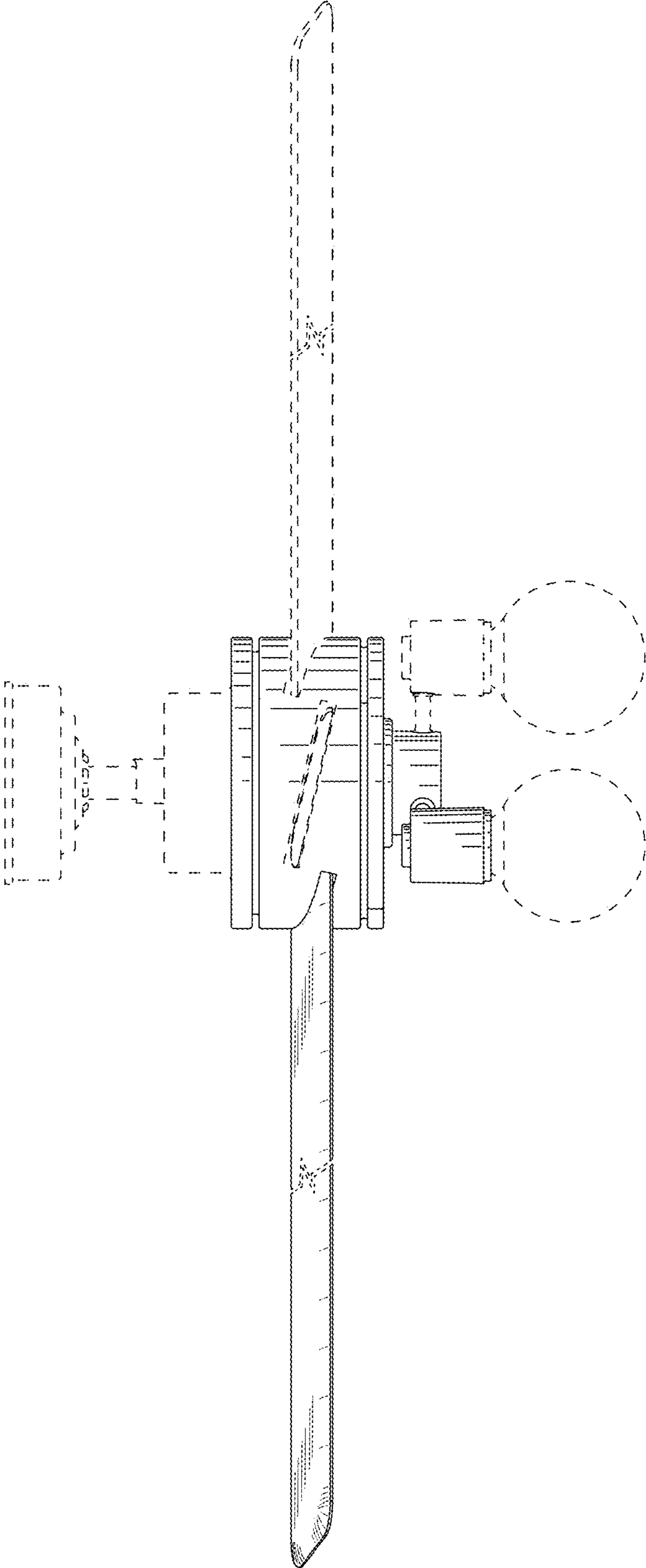


FIG. 5

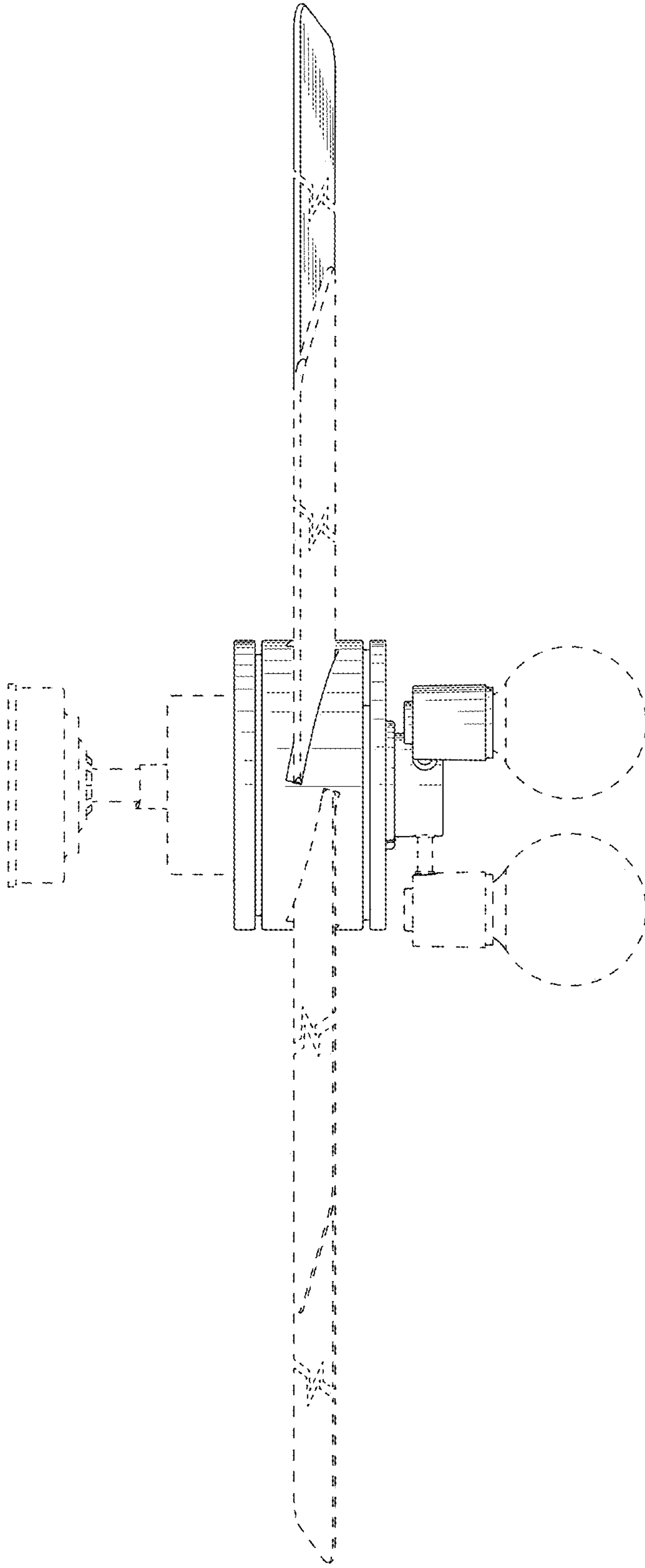


FIG. 6

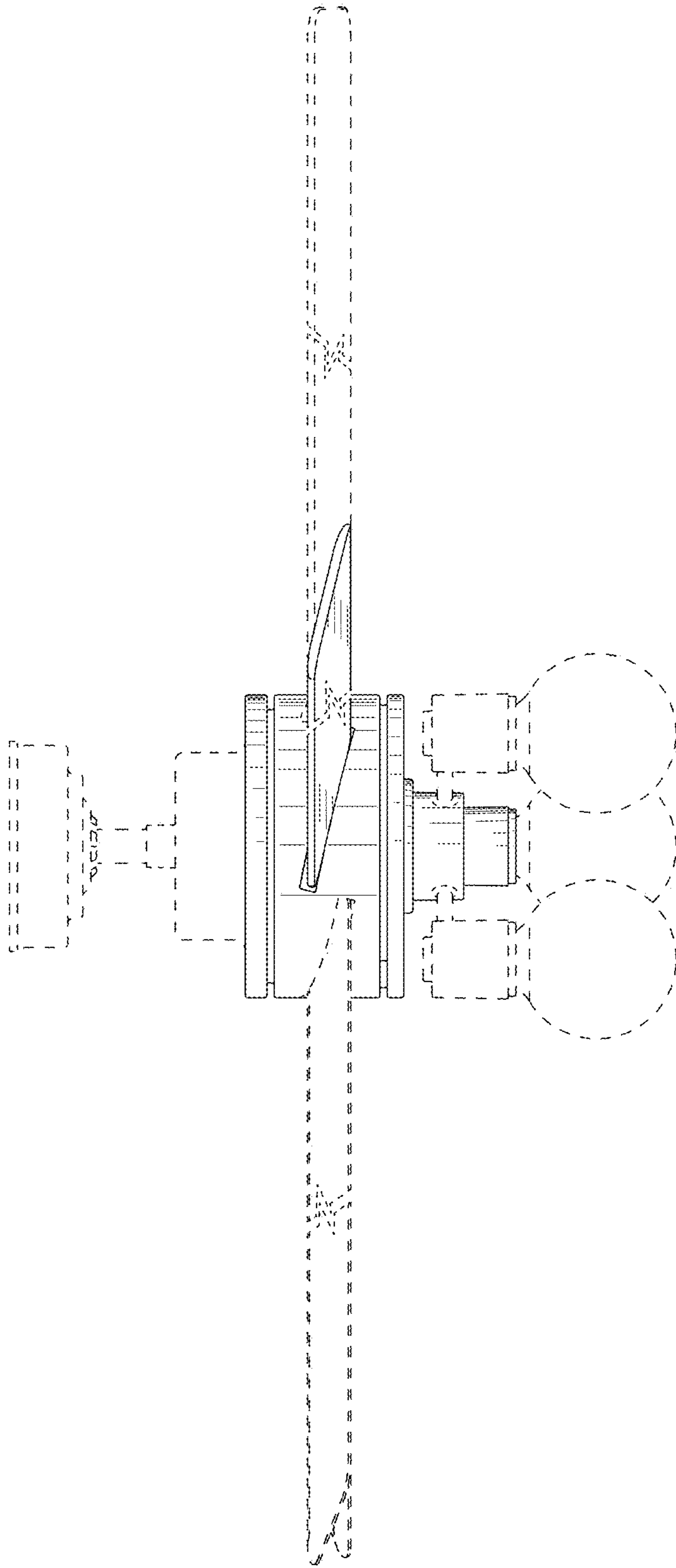


FIG. 7

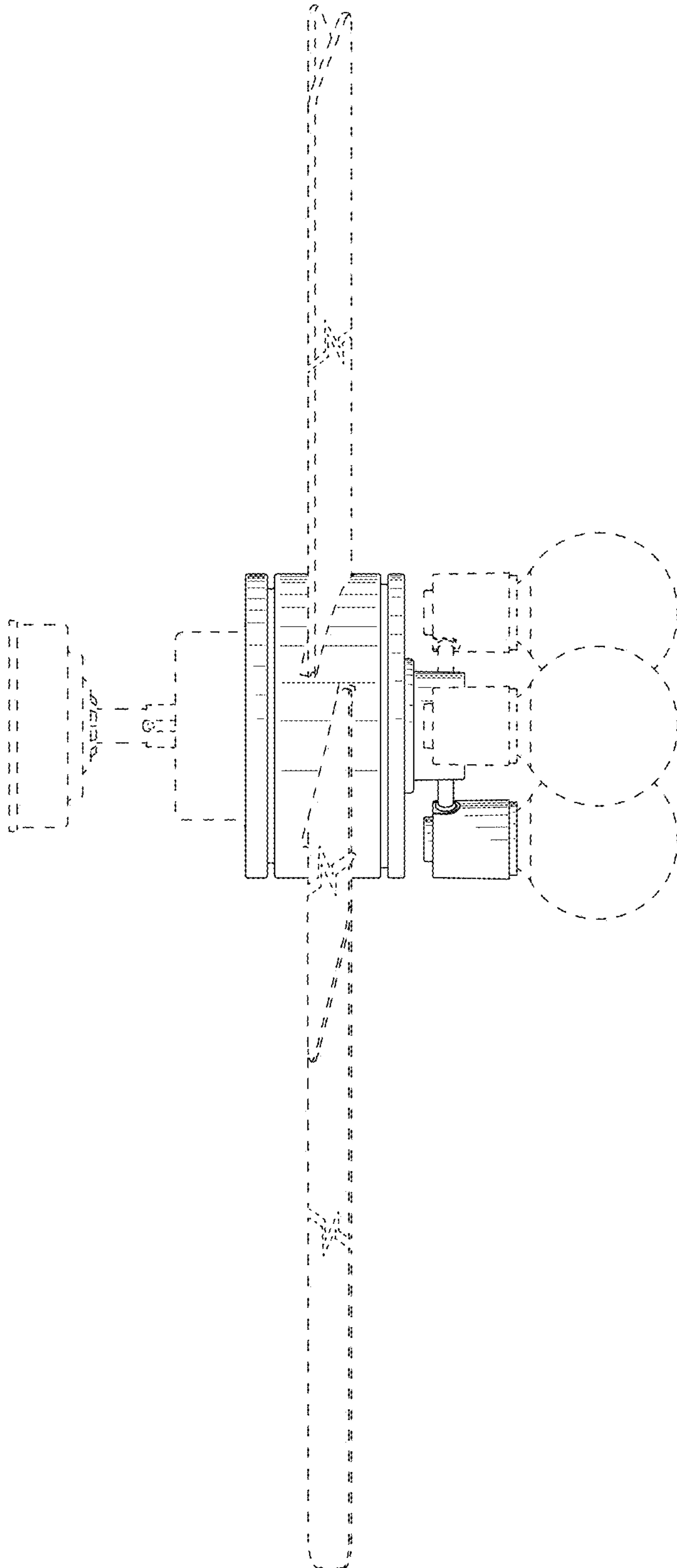


FIG. 8