

US00D941453S

(12) **United States Design Patent**  
**Eiffert**

(10) **Patent No.:** **US D941,453 S**  
(45) **Date of Patent:** **\*\* Jan. 18, 2022**

- (54) **CEILING FAN**
- (71) Applicant: **Hunter Fan Company**, Memphis, TN (US)
- (72) Inventor: **Ryan Lee Eiffert**, Memphis, TN (US)
- (73) Assignee: **Hunter Fan Company**, Memphis, TN (US)
- (\*\*) Term: **15 Years**
- (21) Appl. No.: **29/723,697**
- (22) Filed: **Feb. 10, 2020**
- (51) **LOC (13) Cl.** ..... **23-04**
- (52) **U.S. Cl.**  
USPC ..... **D23/377**
- (58) **Field of Classification Search**  
USPC ..... D23/370, 377, 385, 411; D26/59, 88, D26/128, 129  
CPC .... F04D 25/088; F04D 29/329; F04D 29/703; F04D 25/08; F04D 25/0606; F04D 29/388; F04D 29/384  
See application file for complete search history.

D800,891 S 10/2017 McRoberts et al.  
D804,639 S 12/2017 Guthrie  
D805,175 S 12/2017 Haggar  
(Continued)

**FOREIGN PATENT DOCUMENTS**

CN 206845502 U 1/2018

**OTHER PUBLICATIONS**

Home Decorators Collection Emery 56 in. LED Seasoned Wood Ceiling Fan with Remote Control-AM641H-SW, Home Decorators Collection Emery 56 in. LED Seasoned Wood Ceiling Fan with Remote, Model No. AM641H-SW, accessed Jan. 4, 2019.

(Continued)

*Primary Examiner* — Janice Hallmark

(74) *Attorney, Agent, or Firm* — McGarry Bair PC

(57) **CLAIM**

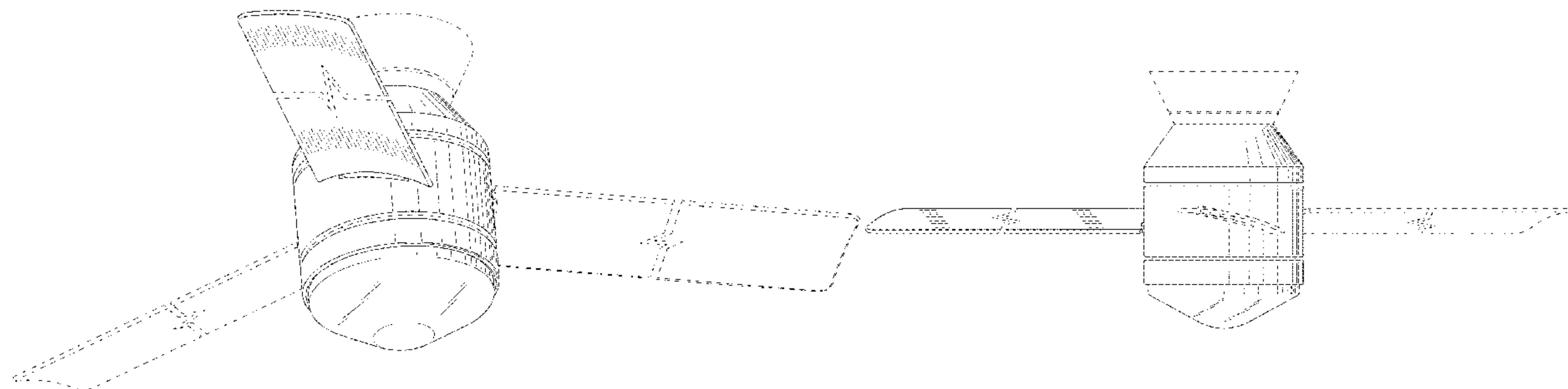
The ornamental design for a ceiling fan, as shown and described.

**DESCRIPTION**

FIG. 1 is a top perspective view of a ceiling fan, showing my new design;  
FIG. 2 is a bottom perspective view thereof;  
FIG. 3 is a top view thereof;  
FIG. 4 is a bottom view thereof;  
FIG. 5 is a front view thereof;  
FIG. 6 is a rear view thereof;  
FIG. 7 is a right side view thereof; and,  
FIG. 8 is a left side view thereof.  
Portions of the ceiling fan are shown in broken lines, and portions of the ceiling fan shown in broken lines form no part of the claimed design. Portions of the ceiling fan blades shown in jagged break lines show an unclaimed indeterminate length for the ceiling fan blades. Portions of the ceiling fan blades shown in jagged break lines form no part of the claimed design.

**1 Claim, 8 Drawing Sheets**

- (56) **References Cited**  
**U.S. PATENT DOCUMENTS**  
D328,491 S 8/1992 Markwardt  
D339,204 S 9/1993 Holbrook  
D445,887 S 7/2001 Campbell  
D459,466 S 6/2002 Hsieh  
D536,438 S 2/2007 Curtin  
D605,751 S 12/2009 Yang  
D628,688 S 12/2010 Pan  
D632,381 S 2/2011 Davenport et al.  
D692,607 S 10/2013 Lastimoso  
D712,533 S 9/2014 Allen et al.  
D756,503 S 5/2016 Wang  
D772,393 S 11/2016 Wang  
D789,511 S 6/2017 Wang  
D794,768 S 8/2017 Wang



(56)

**References Cited**

U.S. PATENT DOCUMENTS

D810,915 S	2/2018	Guthrie	
D810,917 S *	2/2018	Holmes .....	D23/377
D844,769 S *	4/2019	McRoberts .....	D23/411
D853,611 S *	7/2019	McRoberts .....	D26/59
D855,172 S *	7/2019	Holmes .....	D23/411
D876,609 S *	2/2020	O'Connell .....	D23/411
D877,314 S *	3/2020	Holmes .....	D23/411
D894,457 S *	8/2020	McRoberts .....	D26/59
D918,376 S *	5/2021	Schulzman .....	D23/411
D920,499 S *	5/2021	Holmes .....	D23/411
D921,880 S *	6/2021	Haggar .....	D23/411

OTHER PUBLICATIONS

<https://www.lowes.com/pd/Harbor-Breeze-Sail-Stream-52-in-Brushed-Nickel-Indoor-Ceiling-Fan-with-Light-Kit-and-Remote-3-Blade/50411006>, Harbor Breeze Sail Stream 52-in. 3-Blade Brushed Nickel Indoor Ceiling Fan with Light Kit and Remote, accessed Jan. 4, 2019.

<https://www.fanimation.com/products/index.php/fans/level.html>, Fanimation Studio Collection, Level 44 in. 3-blade Matte White LED Indoor Flush Mount Ceiling Fan with Light Kit, Model No. LP8347, accessed Jan. 4, 2019.

<https://www.hunterfan.com/ceiling-fans/casablanca-isotope-low-profile-with-led-light-52-inch-fam893>, Casablanca Isotope Low Profile 52 Inch Ceiling Fan with LED Light, Item No. 59355, accessed Jan. 4, 2019.

<http://www.kingoffans.com/#/products/ceilingFans>, King of Fans Corrado 44 inch Ceiling Fan OPal Matte Finish with LED Light, Model No. 51543, accessed Jan. 4, 2019.

<https://www.fanimation.com/products/index.php/hugh-44.html>, Fanimation Hugh 44 Indoor/Outdoor Ceiling Fan with LED Light and Remote, Model No. FPS8332, accessed Jan. 4, 2019.

<https://www.homedepot.com/p/Aire-a-Minka-Group-Design-Hi-Wind-52-in-Indoor-White-Ceiling-Fan-with-Remote-Control-04621/206213563>, Minka Aire Hi-Wind 52 in. Indoor White Ceiling Fan with Remote Control, Model No. 04621, accessed Jan. 4, 2019.

<http://www.kichler.com/products/product/60-inch-eris-ceiling-fan-led-sbk-310160sbk.aspx>, Kichler Eris 60 inch Ceiling Fan in Black Satin with LED Light, Model No. 310160SBK, accessed Jan. 4, 2019.

<https://www.homedepot.com/p/GE-Kinsey-44-in-LED-Indoor-White-Ceiling-Fan-with-SkyPlug-Technology-with-Remote-Control-20611/207197381>, Ge Kinsey 44 in. LED Indoor White Ceiling Fan with SkyPlug Technology with Remote Control, Model No. 20611, accessed Jan. 4, 2019.

<https://www.craftmade.com/outdoor-bowl-light-kit-elk113-1fb-w>, Craftmade Outdoor Bowl Light Kit, Model No. ELK113-1FB-W, accessed Jan. 4, 2019.

<http://www.kichler.com/products/product/climates-slim-profile-fixture-sbk-380910sbk.aspx>, Kichler Climates Slim Profile Fixture in Satin Black, Model No. 380910SBK, accessed Jan. 4, 2019.

<https://www.minkagroup.net/k9886l-orb.html>, Minka Lavery Custom LED Light Kit, Model No. K9886L-ORB, accessed Jan. 4, 2019.

<http://www.kingoffans.com/#/products/ceilingFans>, King of Fans Cabrera 5 Blade Ceiling Fan, Model No. 61375, accessed Jan. 4, 2019.

\* cited by examiner

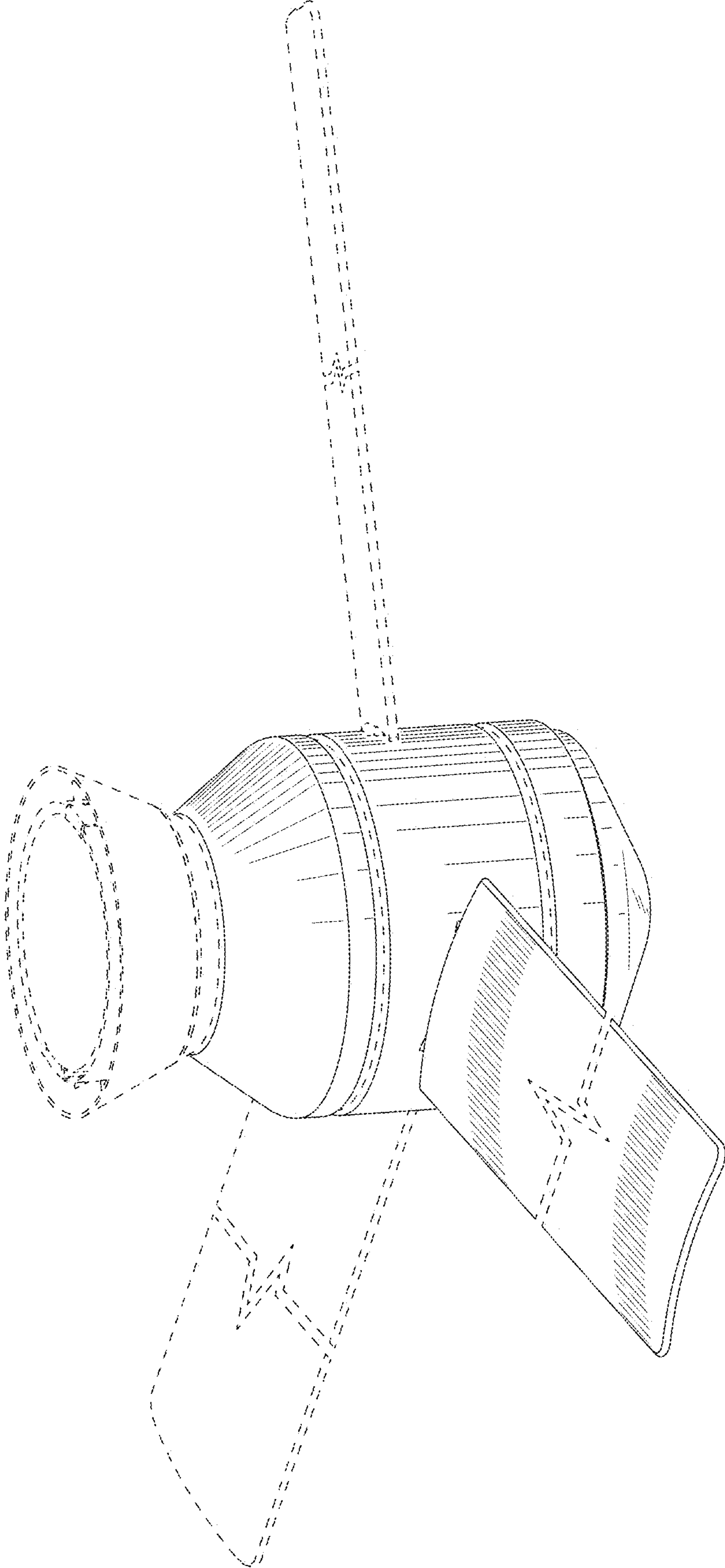


FIG. 1

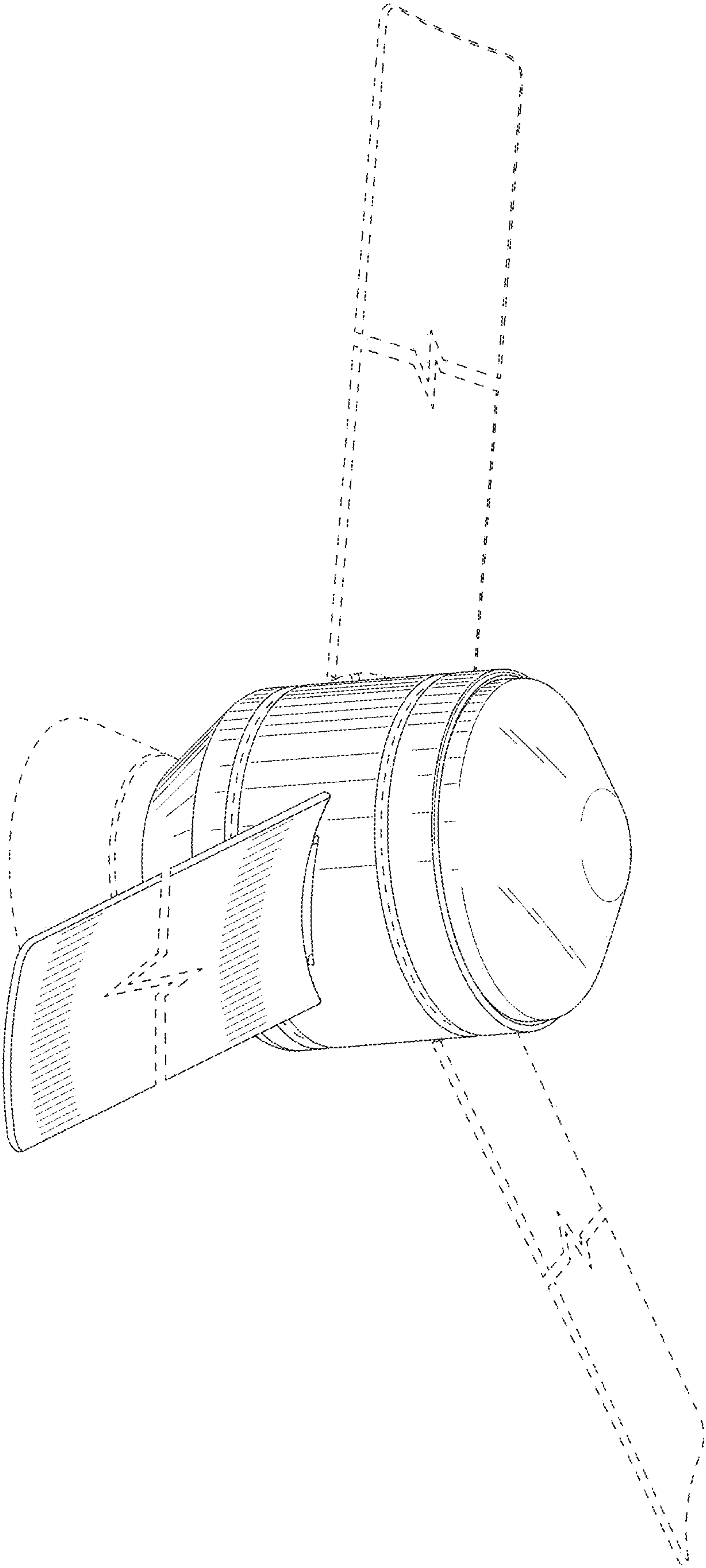


FIG. 2



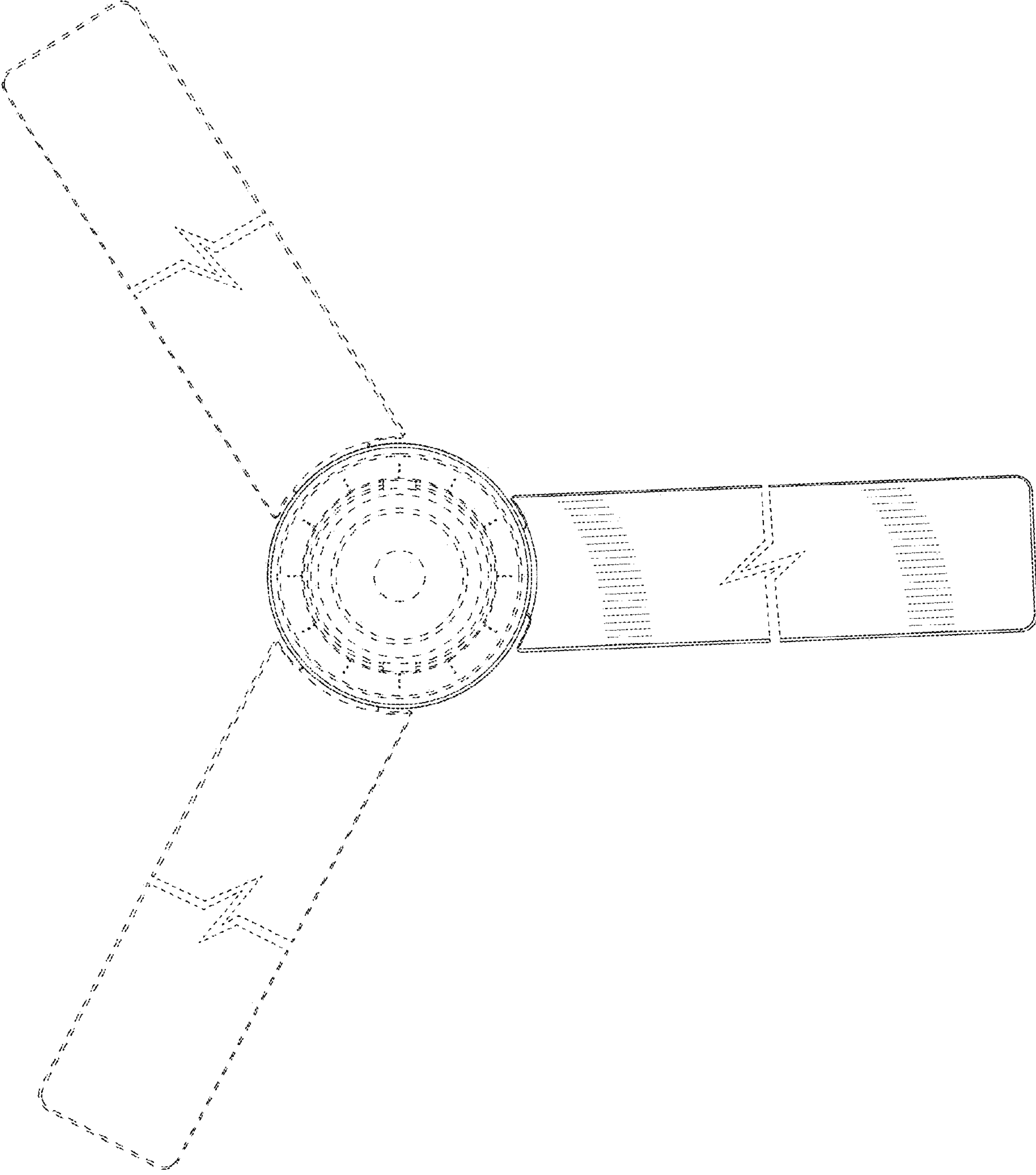


FIG. 3

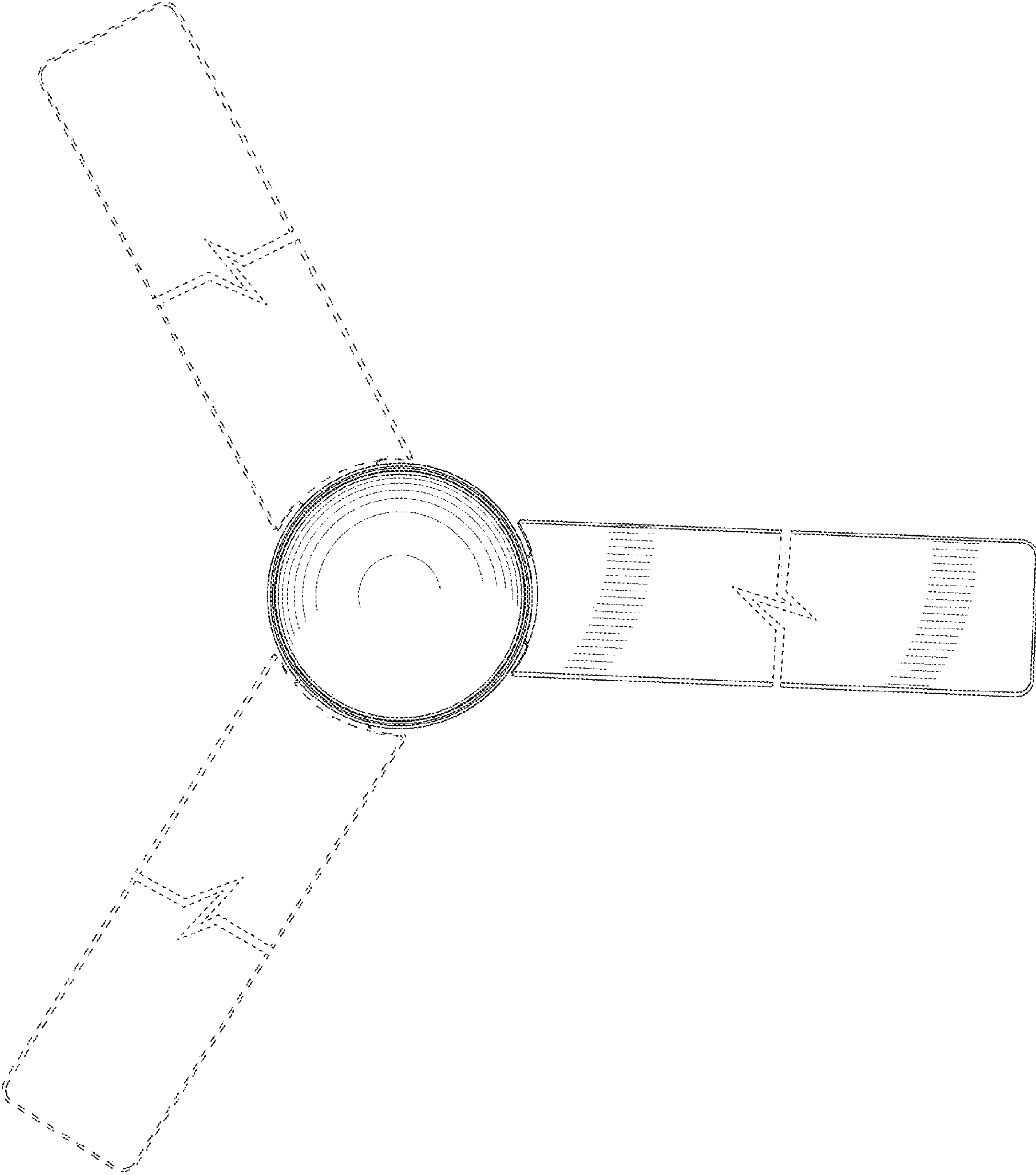


FIG. 4

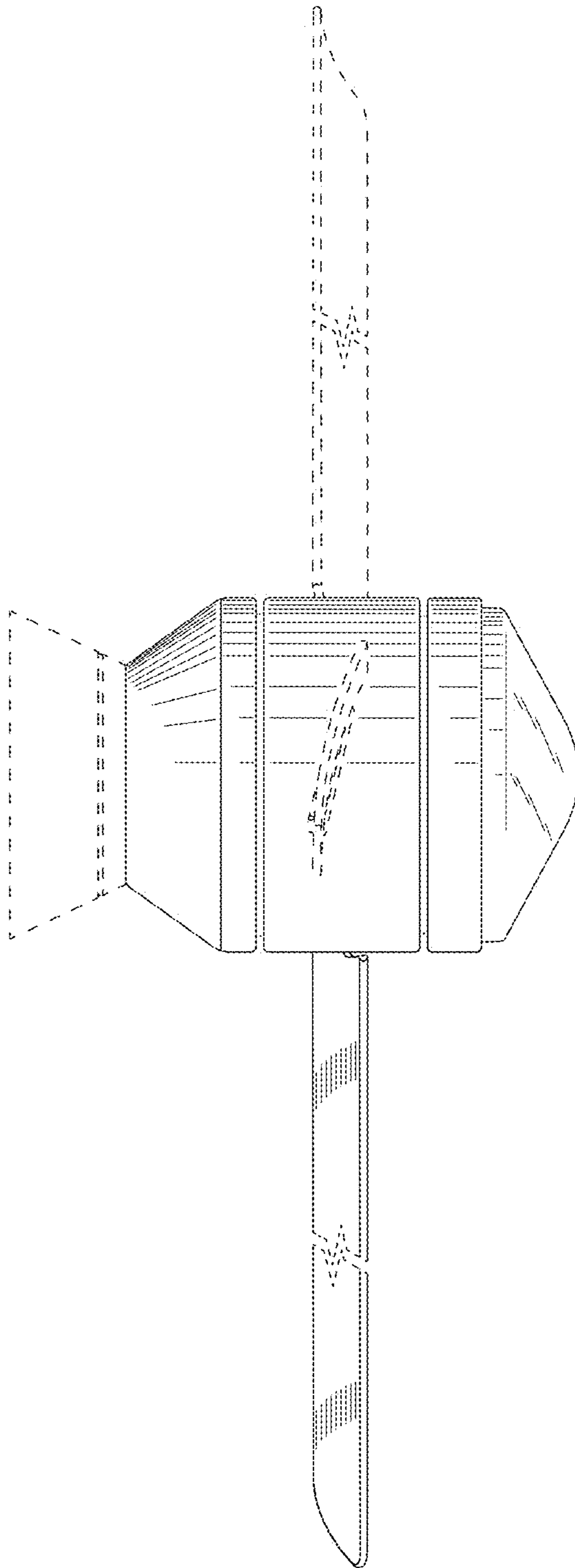


FIG. 5

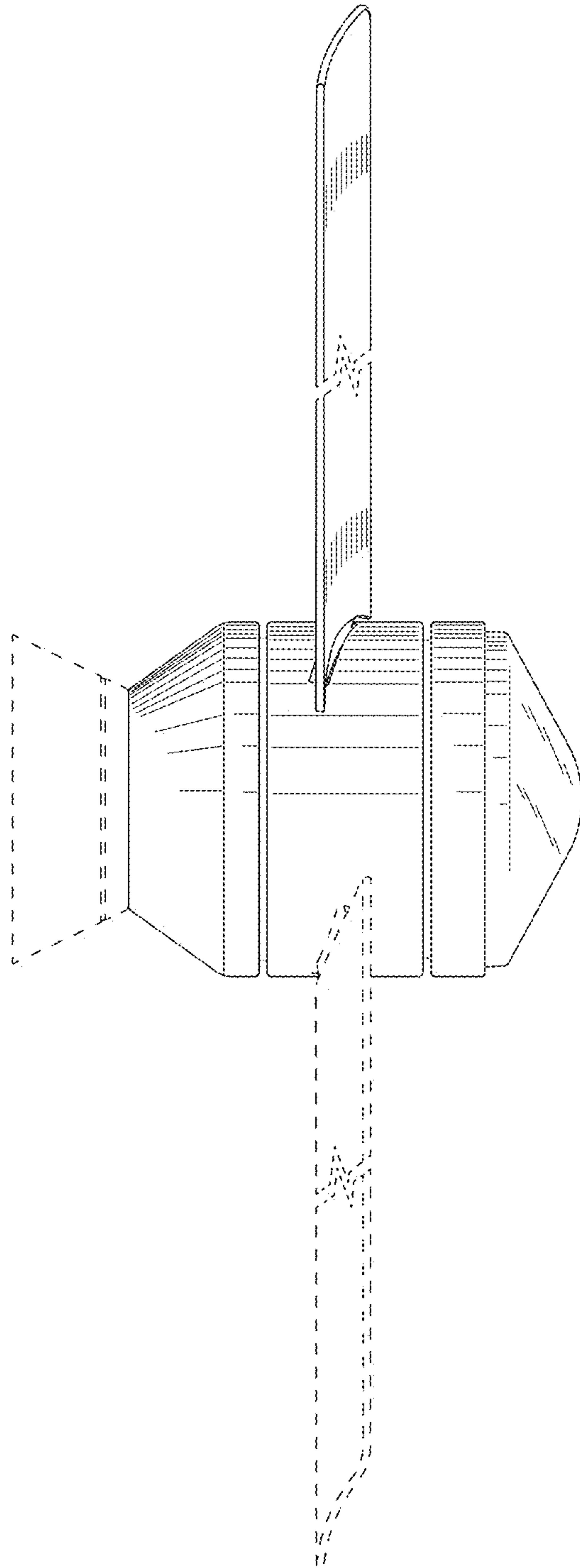


FIG. 6



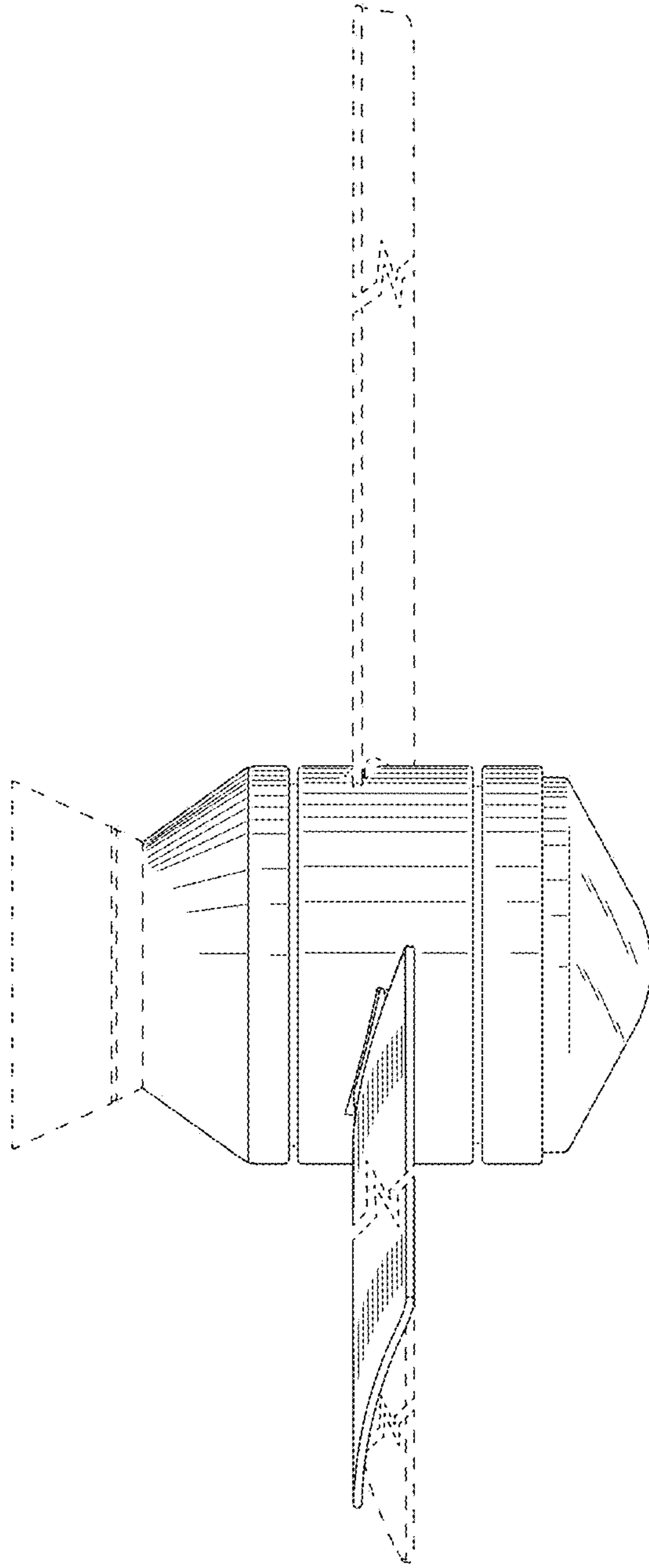


FIG. 7

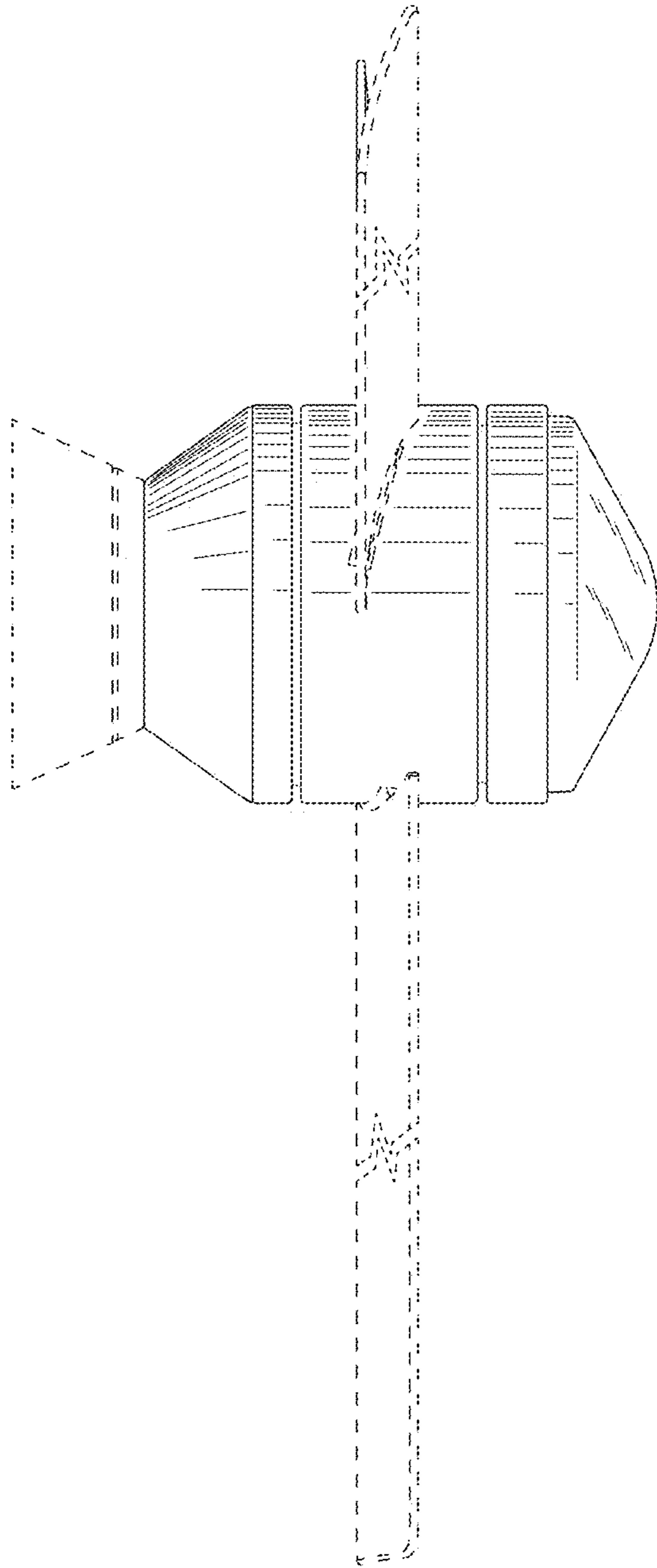


FIG. 8