



US00D941452S

(12) **United States Design Patent**
O’Connell et al.

(10) **Patent No.:** **US D941,452 S**

(45) **Date of Patent:** **** Jan. 18, 2022**

(54) **CEILING FAN**

(71) Applicant: **Hunter Fan Company**, Memphis, TN (US)

(72) Inventors: **Patrick R. O’Connell**, Germantown, TN (US); **Claire Bernice McRoberts**, Memphis, TN (US)

(73) Assignee: **Hunter Fan Company**, Memphis, TN (US)

(**) Term: **15 Years**

(21) Appl. No.: **29/680,723**

(22) Filed: **Feb. 19, 2019**

(51) **LOC (13) Cl.** **23-04**

(52) **U.S. Cl.**
USPC **D23/377**

(58) **Field of Classification Search**
USPC D23/370, 377, 385, 411, 413; D26/59
CPC .. F04D 25/088; F04D 29/005; F04D 29/4226;
F21V 33/0096; F21V 21/03; F21V 21/02;
F21V 3/02
See application file for complete search history.

(56) **References Cited**

U.S. PATENT DOCUMENTS

D270,942 S	10/1983	McCain	
D284,304 S	6/1986	Harber	
D290,748 S	7/1987	Kawai	
D292,313 S	10/1987	Kawai	
D297,974 S	10/1988	Sonneman	
D310,561 S	9/1990	Janicz	
D330,759 S	11/1992	Rezek	
D333,867 S	3/1993	Markwardt	
D451,189 S	11/2001	Liu	
D453,216 S	1/2002	Gajewski	
D478,974 S	8/2003	Hidalgo	
D609,324 S	2/2010	Lee	
D627,053 S *	11/2010	Pan	D23/411
D706,970 S	6/2014	Wang	
D712,533 S	9/2014	Allen et al.	
D715,917 S *	10/2014	Hidalgo	D23/377

D744,634 S 12/2015 Wang
D751,187 S 3/2016 Dolan
D771,794 S * 11/2016 Wang D23/411
(Continued)

FOREIGN PATENT DOCUMENTS

CN 206845502 U 1/2018
JP 1353386 S 6/2008

OTHER PUBLICATIONS

<http://www.montecarlofans.com/57225/52-Clarity---Oil-Rubbed-Bronze-3CLYR52OZD.html>, Monte Cado, Clarity 52" Ceiling Fan, accessed Feb. 15, 2019.
<https://www.craftmade.com/katana-72-kat72>, Craftmade, 72" Katana Ceiling Fan, accessed Feb. 15, 2019.
<https://modernfan.com/fan/halo/>, The Modern Fan Co, 52" Halo Ceiling Fan, accessed Feb. 15, 2019.

(Continued)

Primary Examiner — Janice Hallmark
(74) *Attorney, Agent, or Firm* — McGarry Bair PC

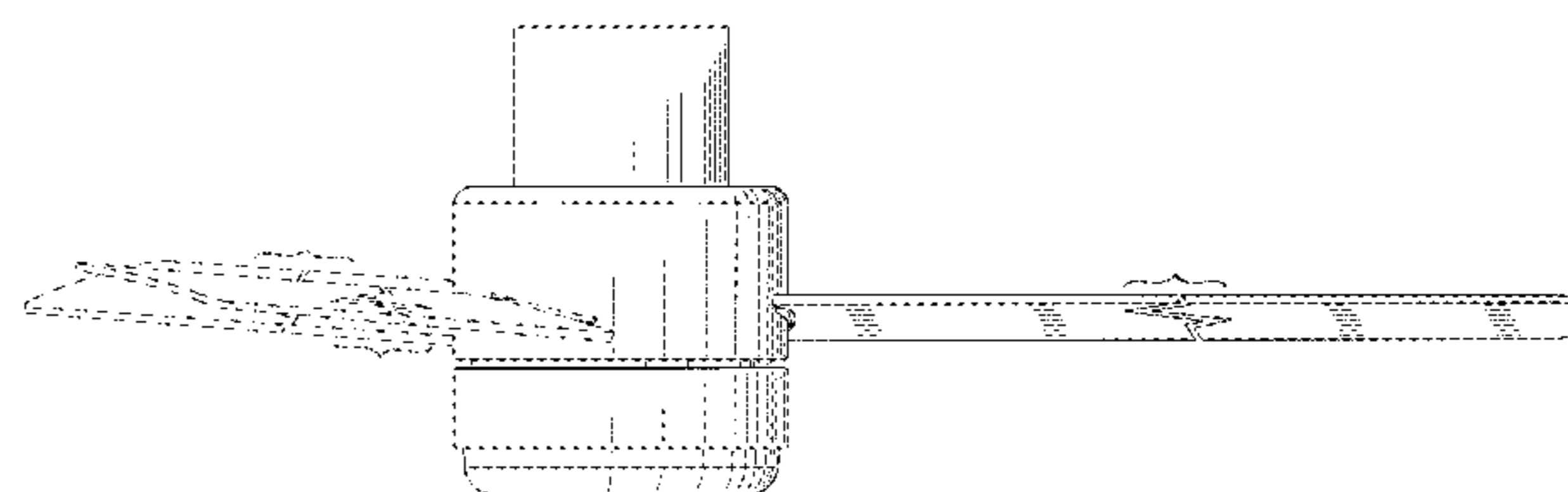
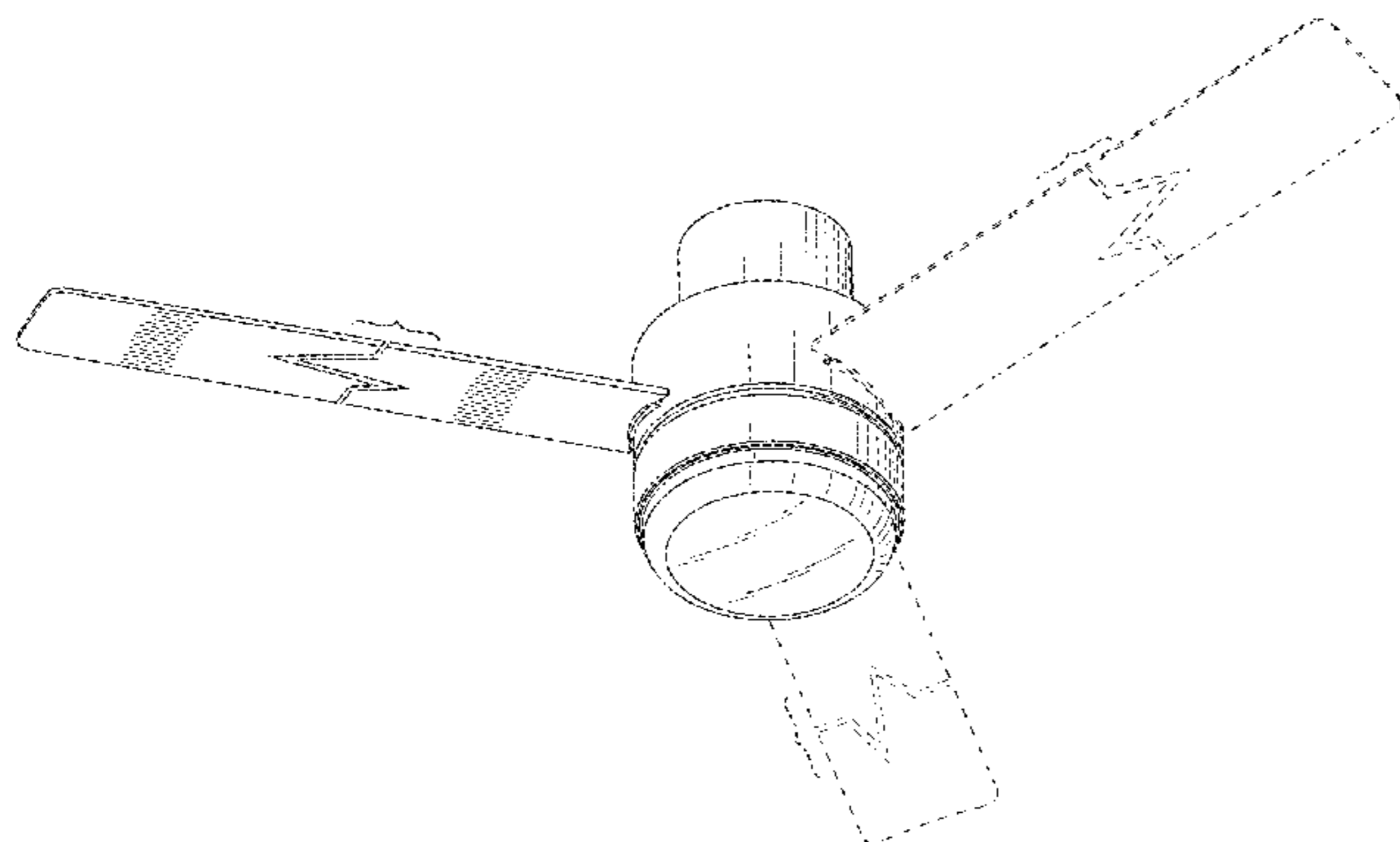
(57) **CLAIM**

The ornamental design for a ceiling fan, as shown and described.

DESCRIPTION

FIG. 1 is a bottom perspective view of a ceiling fan, showing my new design;
FIG. 2 is a top perspective view thereof;
FIG. 3 is a top view thereof;
FIG. 4 is a bottom view thereof;
FIG. 5 is a front view thereof;
FIG. 6 is a side view thereof;
FIG. 7 is another side view thereof; and,
FIG. 8 is a rear view thereof.
Portions of the ceiling fan shown in broken lines forms no part of the claimed design.
The break lines on the ceiling fan’s blades depict a symbolic break in length and form no part of the claimed design.

1 Claim, 8 Drawing Sheets



(56)

References Cited

U.S. PATENT DOCUMENTS

D771,795 S	*	11/2016	Wang	D23/411
D772,393 S		11/2016	Wang		
D773,634 S		12/2016	Wang		
D778,422 S	*	2/2017	Gajewski	D23/377
D788,283 S		5/2017	Busta		
D795,412 S		8/2017	Schulzman		
D804,640 S		12/2017	Haggar et al.		
D810,919 S		2/2018	Haggar		
D826,394 S	*	8/2018	Biancuzzo	D23/411
D832,990 S	*	11/2018	Schulzman	D23/377
D834,696 S		11/2018	Schulzman		
D838,357 S	*	1/2019	Haggar	D23/411
D844,770 S	*	4/2019	Schulzman	D23/411
D858,735 S	*	9/2019	Wang	D23/377
D860,428 S	*	9/2019	Orozco	D23/377
D862,755 S	*	10/2019	Haggar	D26/59
D898,182 S	*	10/2020	Zhang	D23/411
D918,376 S	*	5/2021	Schulzman	D23/411
D928,373 S	*	8/2021	Haggar	D26/59

OTHER PUBLICATIONS

<http://www.kichler.com/products/product/52-inch-lucian-led-ceiling-fan-pn-330000pn.aspx>, Kichler, 52" Lucian LED Ceiling Fan, accessed Feb. 15, 2019.

<https://www.lowes.com/pd/Harbor-Breeze-Fairwind-60-in-Galvanized-LED-Indoor-Outdoor-Ceiling-Fan-with-Light-Kit-and-Remote-3-Blade/1000380569>, Harbor Breeze, 60" Fairwind Galvanized LED Ceiling Fan, accessed Feb. 15, 2019.

<http://www.kichler.com/products/product/60-inch-rana-fan-sbk-310155sbk.aspx>, Kichler, 60" Rana Ceiling Fan, accessed Feb. 15, 2019.

<https://www.minkagroup.net/f828-bn.html>, Minka Group, 56" Symbio LED Ceiling Fan, accessed Feb. 15, 2019.

<https://www.craftmade.com/teana-tea52>, Craftmade, 52" Teana Ceiling Fan, accessed Feb. 15, 2019.

<https://ceilingfans.emerson.com/en-us/shop/fan/fans-s-emerson-fans/modern/fan-cf5300>, Emerson, Ion Eco Ceiling Fan, accessed Feb. 15, 2019.

<https://www.minkagroup.net/f5431-ka.html>, Minka Group, 56" Swept LED Ceiling Fan, accessed Feb. 15, 2019.

* cited by examiner

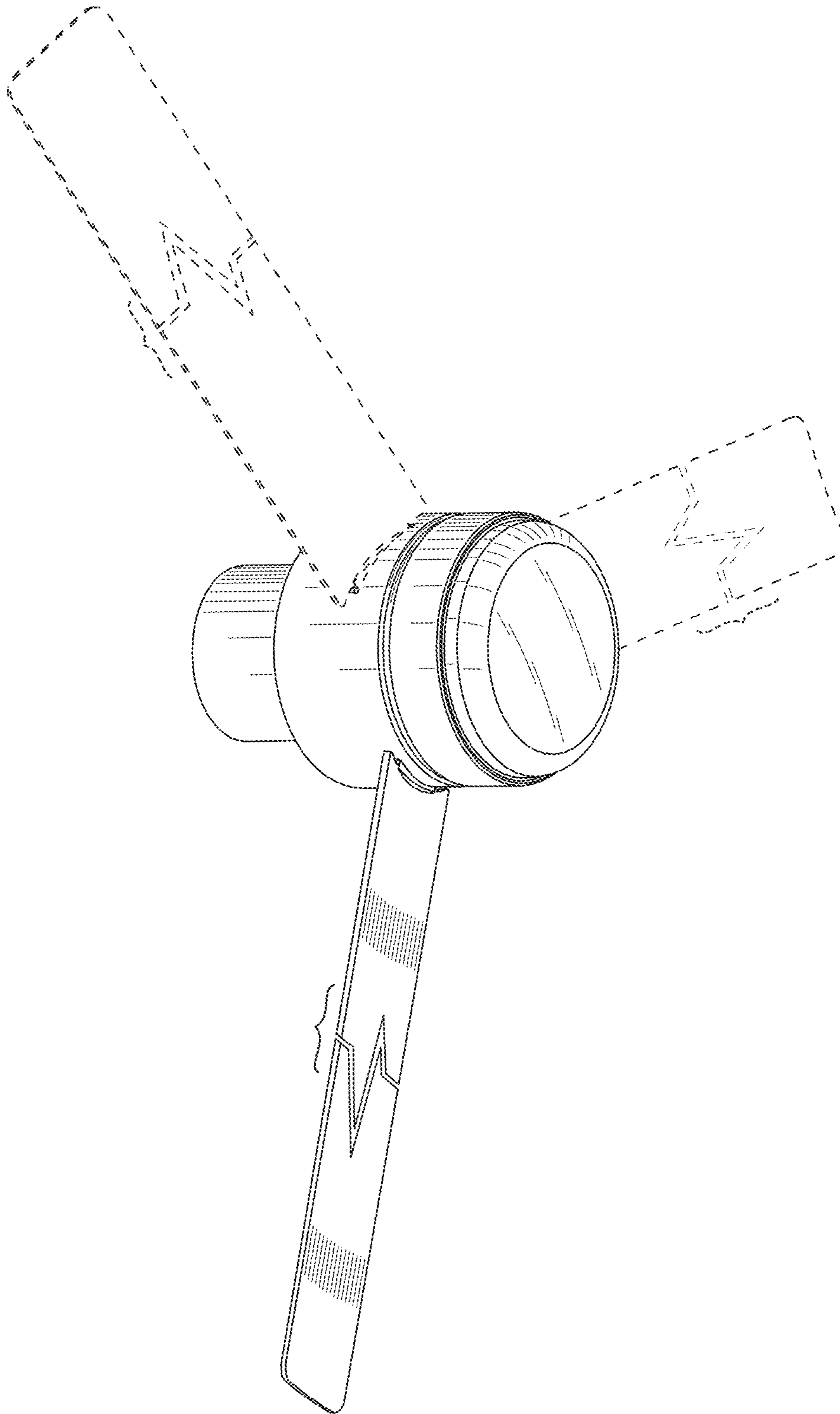


FIG. 1

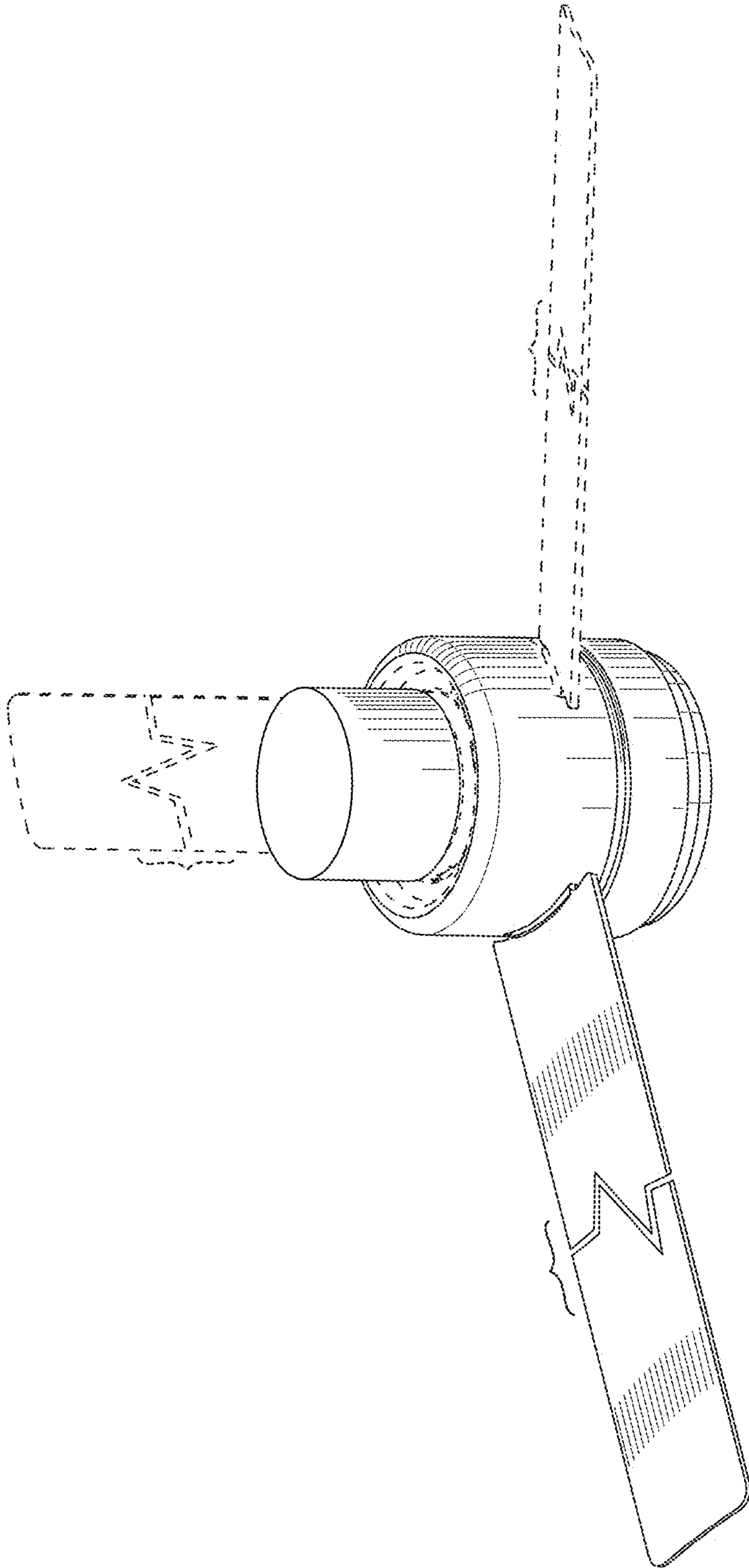


FIG. 2

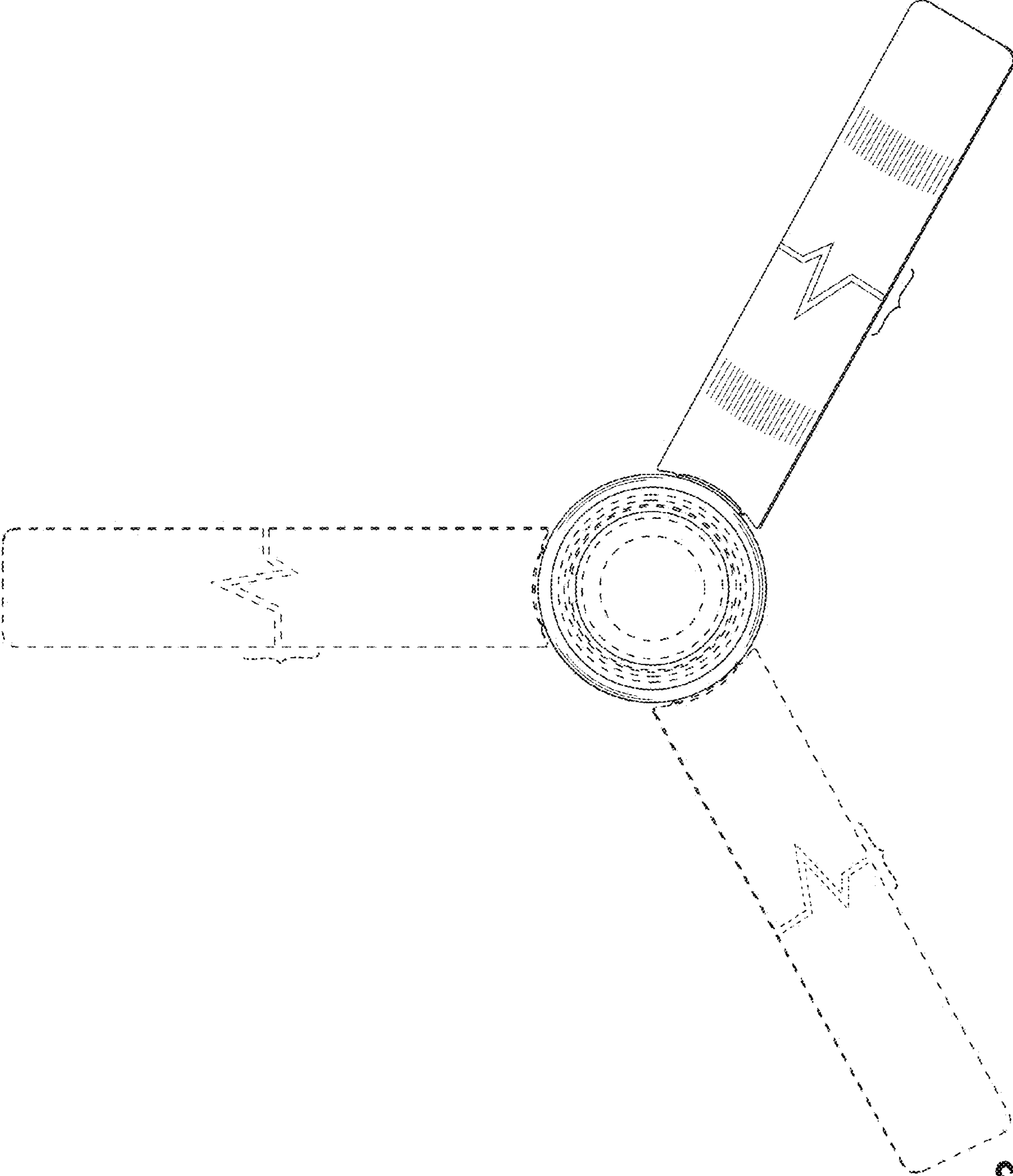


FIG. 3

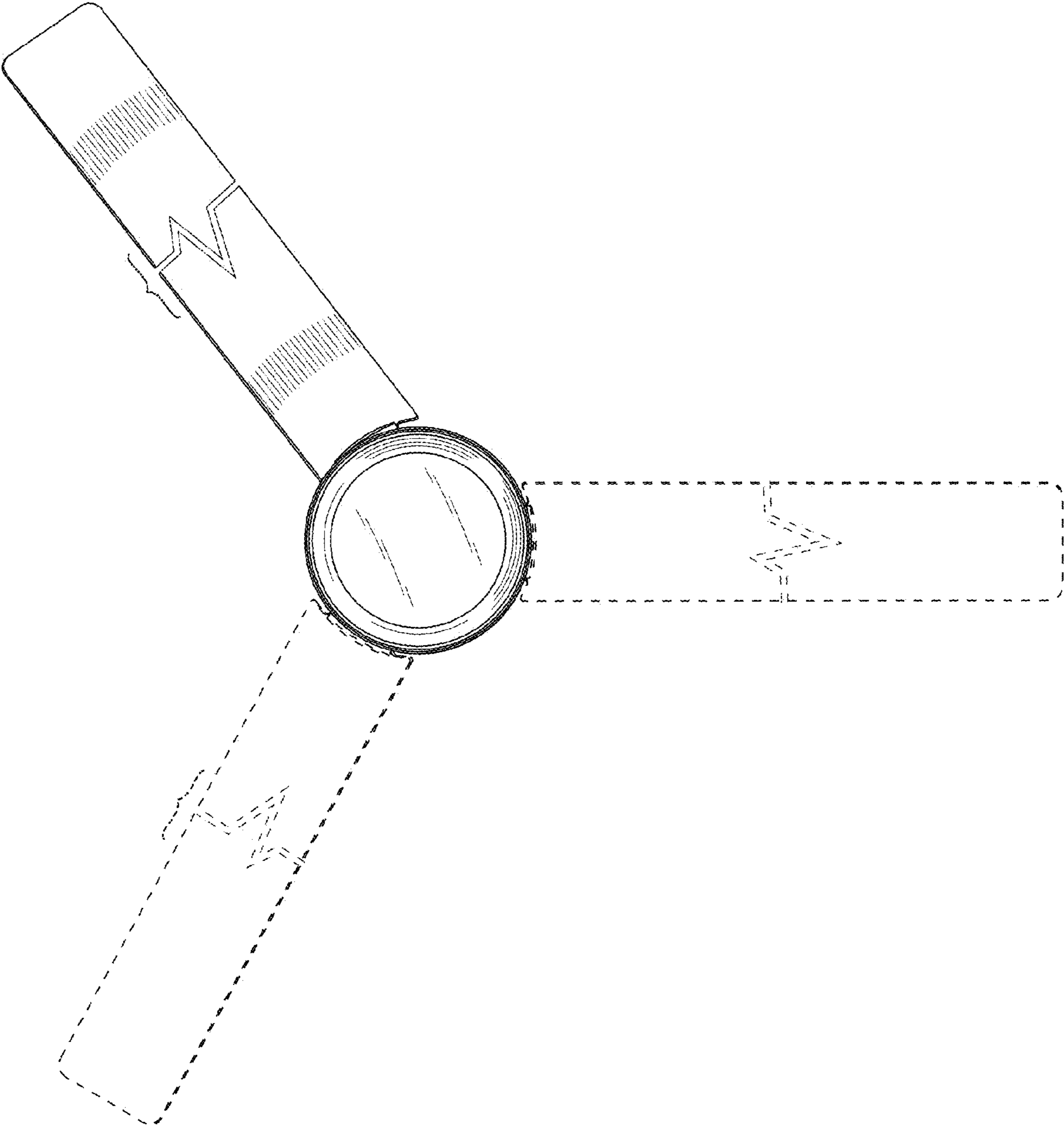


FIG. 4

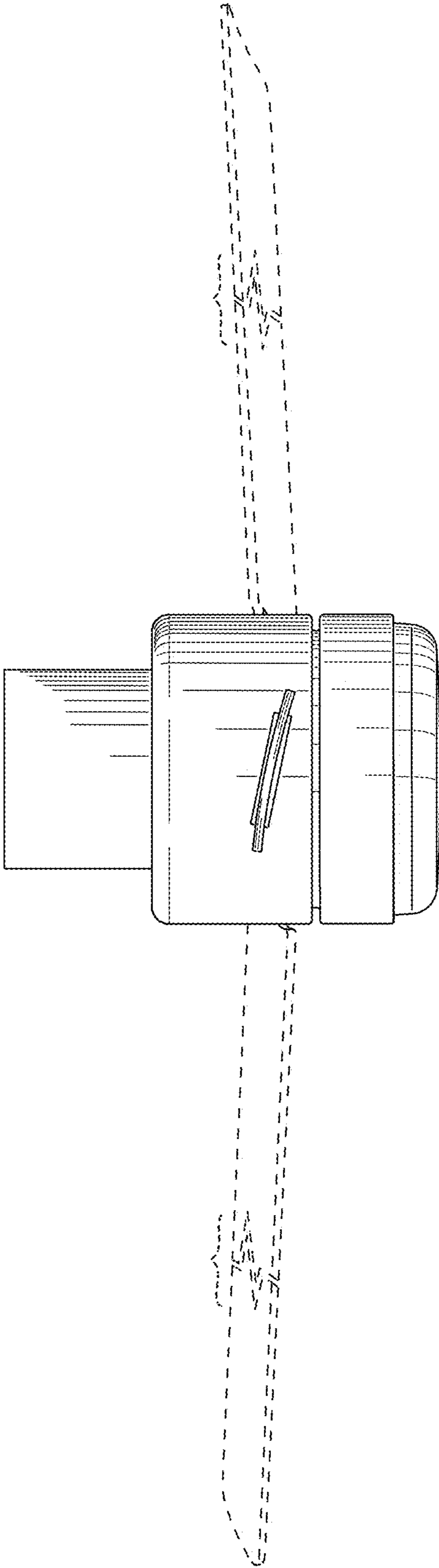


FIG. 5

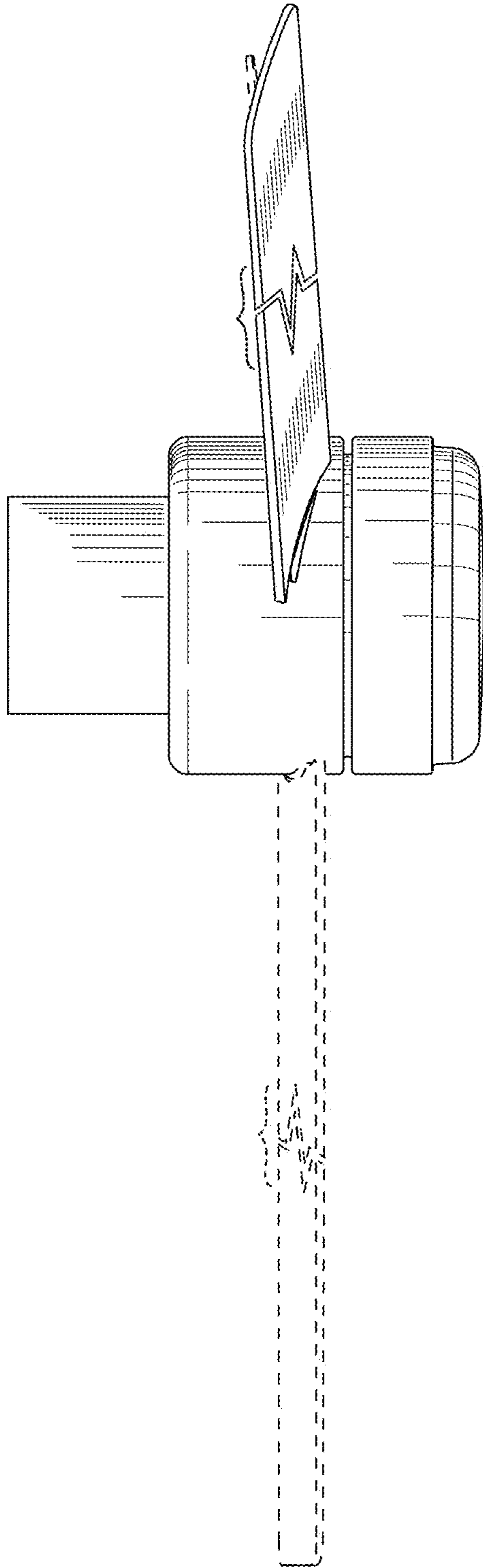


FIG. 6

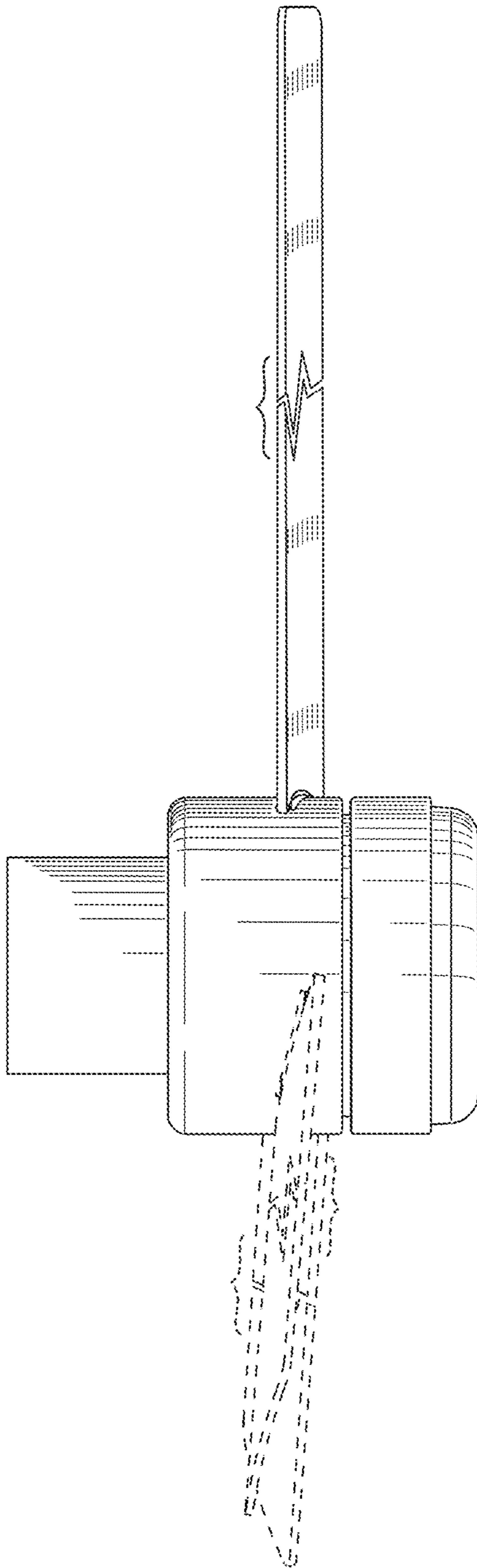


FIG. 7

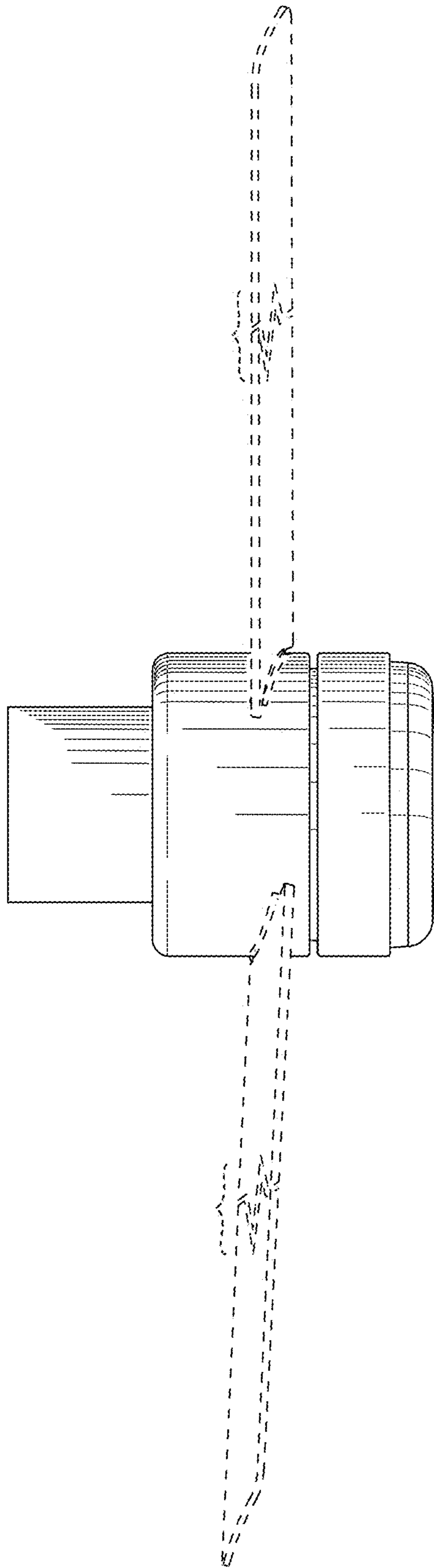


FIG. 8