



US00D941447S

(12) **United States Design Patent** (10) **Patent No.:** **US D941,447 S**  
**Goad** (45) **Date of Patent:** **\*\* Jan. 18, 2022**

(54) **TOILET TANK**  
(71) Applicant: **Kohler Co.**, Kohler, WI (US)  
(72) Inventor: **Robin Goad**, Sheboygan, WI (US)  
(73) Assignee: **Kohler Co.**, Kohler, WI (US)  
(\*\*) Term: **15 Years**  
(21) Appl. No.: **29/767,727**  
(22) Filed: **Jan. 25, 2021**

D471,621 S 3/2003 Bennie  
D514,208 S 1/2006 Gordon  
D514,673 S 2/2006 Lanius  
D515,186 S 2/2006 Lanius  
D529,153 S 9/2006 Gordon  
D585,128 S 1/2009 Slothower  
D608,430 S 1/2010 Slothower  
D637,703 S 5/2011 Corpuz  
D639,918 S 6/2011 Bates  
D641,459 S 7/2011 Corpuz, Jr.  
D649,627 S 11/2011 Corpuz, Jr.  
D678,490 S 3/2013 Corpuz, Jr.

*Primary Examiner* — Robert A Delehanty  
(74) *Attorney, Agent, or Firm* — Lempia Summerfield Katz LLC

**Related U.S. Application Data**

(62) Division of application No. 29/736,073, filed on May 27, 2020, now Pat. No. Des. 912,232, which is a division of application No. 29/663,998, filed on Sep. 20, 2018, now Pat. No. Des. 893,689.  
(51) **LOC (13) Cl.** ..... **23-02**  
(52) **U.S. Cl.**  
USPC ..... **D23/313**  
(58) **Field of Classification Search**  
USPC ..... D23/295, 301, 303, 313  
CPC ..... A47K 11/00  
See application file for complete search history.

**References Cited**

**U.S. PATENT DOCUMENTS**

D379,217 S 5/1997 Kergoet  
D390,933 S 2/1998 Slothower  
D415,583 S 10/1999 Byers  
D441,437 S 5/2001 Mckeone  
D451,175 S 11/2001 Smith

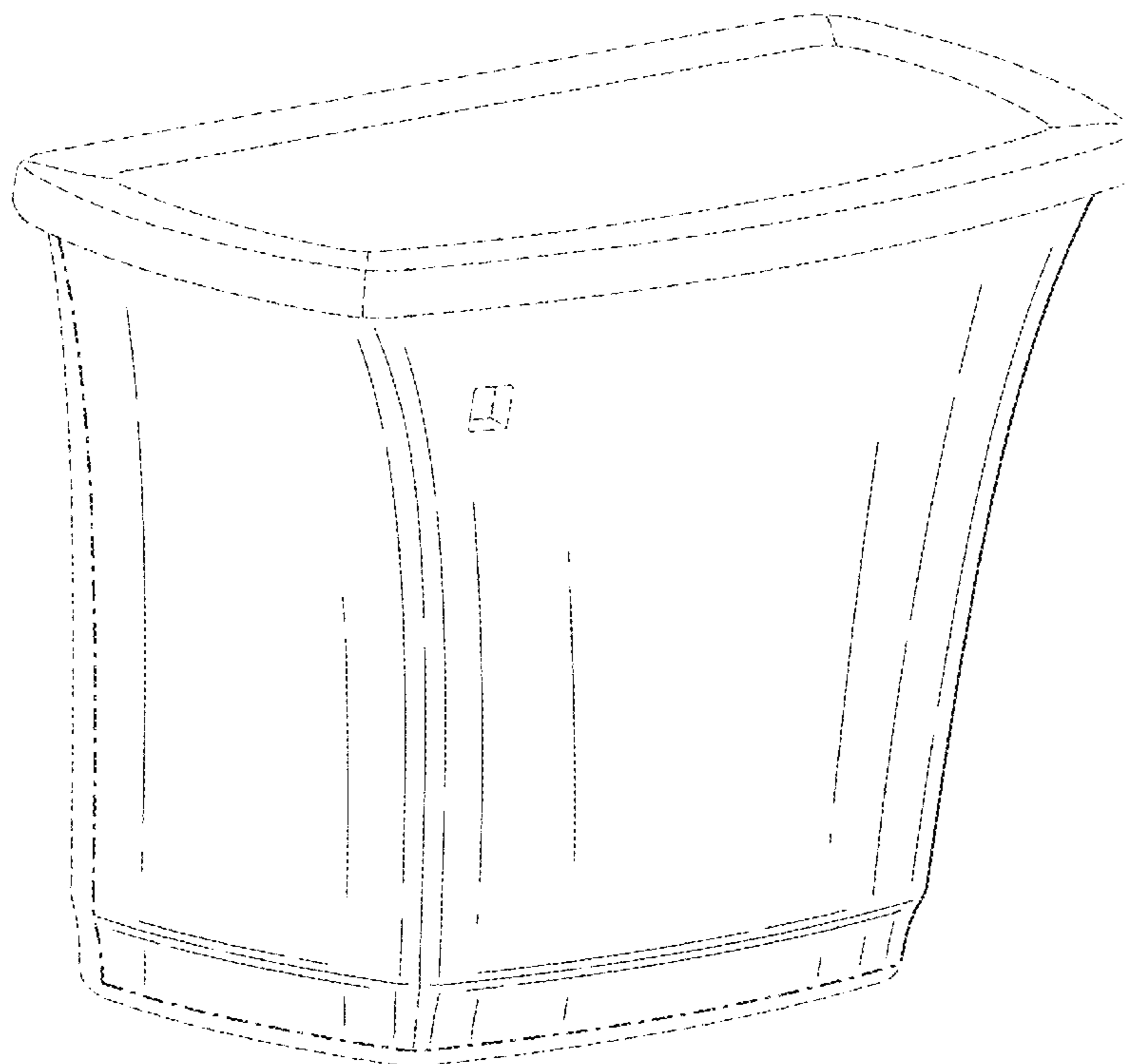
(57) **CLAIM**

I claim the ornamental design for a toilet tank, as shown and described.

**DESCRIPTION**

FIG. 1 is a perspective view of another embodiment of the claimed design;  
FIG. 2 is a front view of the embodiment of FIG. 1;  
FIG. 3 is a rear view of the embodiment of FIG. 1;  
FIG. 4 is a side view of the embodiment of FIG. 1;  
FIG. 5 is another side view of the embodiment of FIG. 1;  
FIG. 6 is a top view of the embodiment of FIG. 1; and,  
FIG. 7 is a bottom view of the embodiment of FIG. 1.  
The ornamental design which is claimed is shown in solid lines in the drawings. The broken lines in the drawings are for illustrative purposes only and form no part of the claimed design. Broken lines formed of unequal length dashes (i.e., dash-dot) define bounds of the claimed design.

**1 Claim, 5 Drawing Sheets**



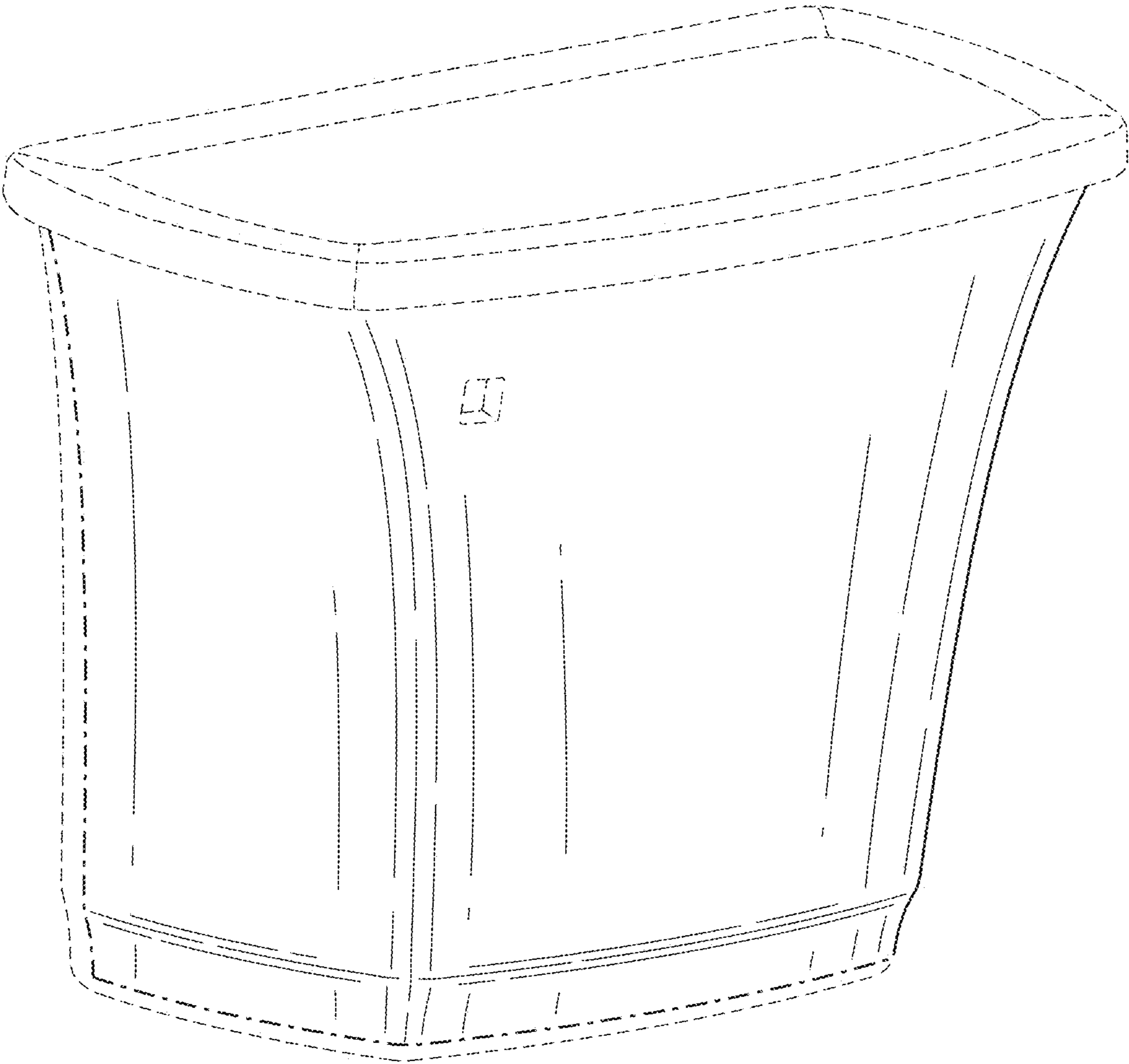


FIG. 1

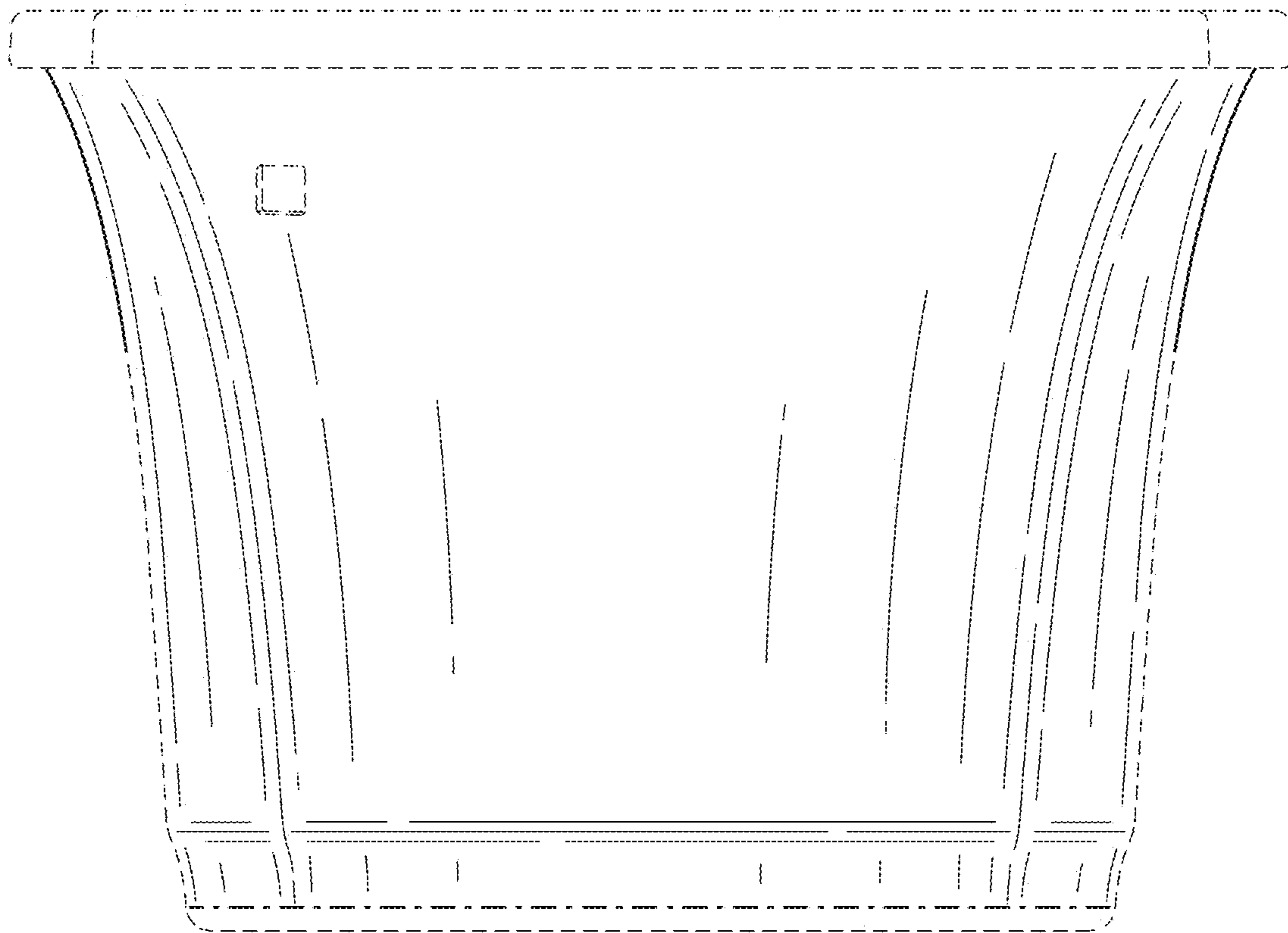


FIG. 2

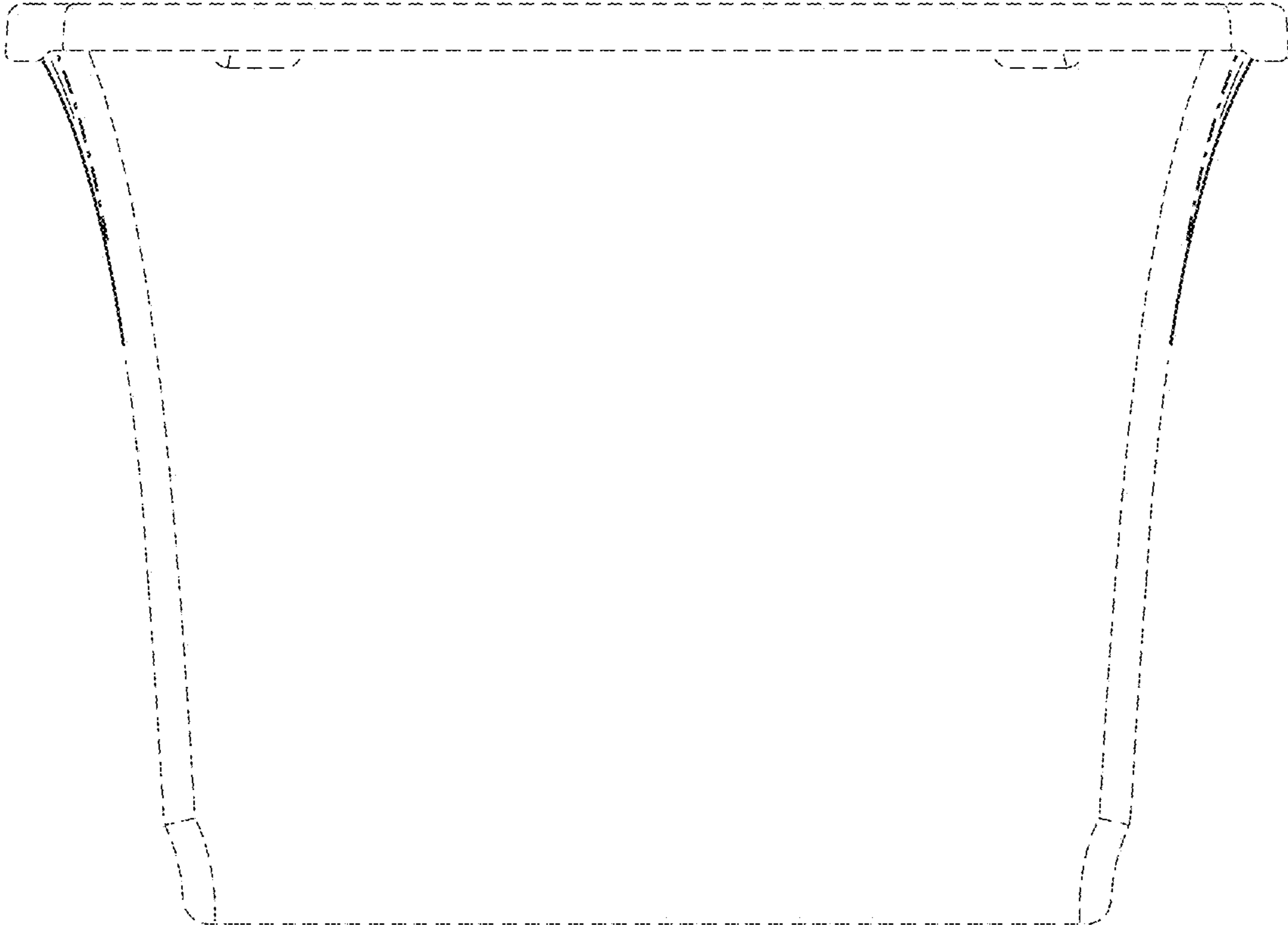


FIG. 3

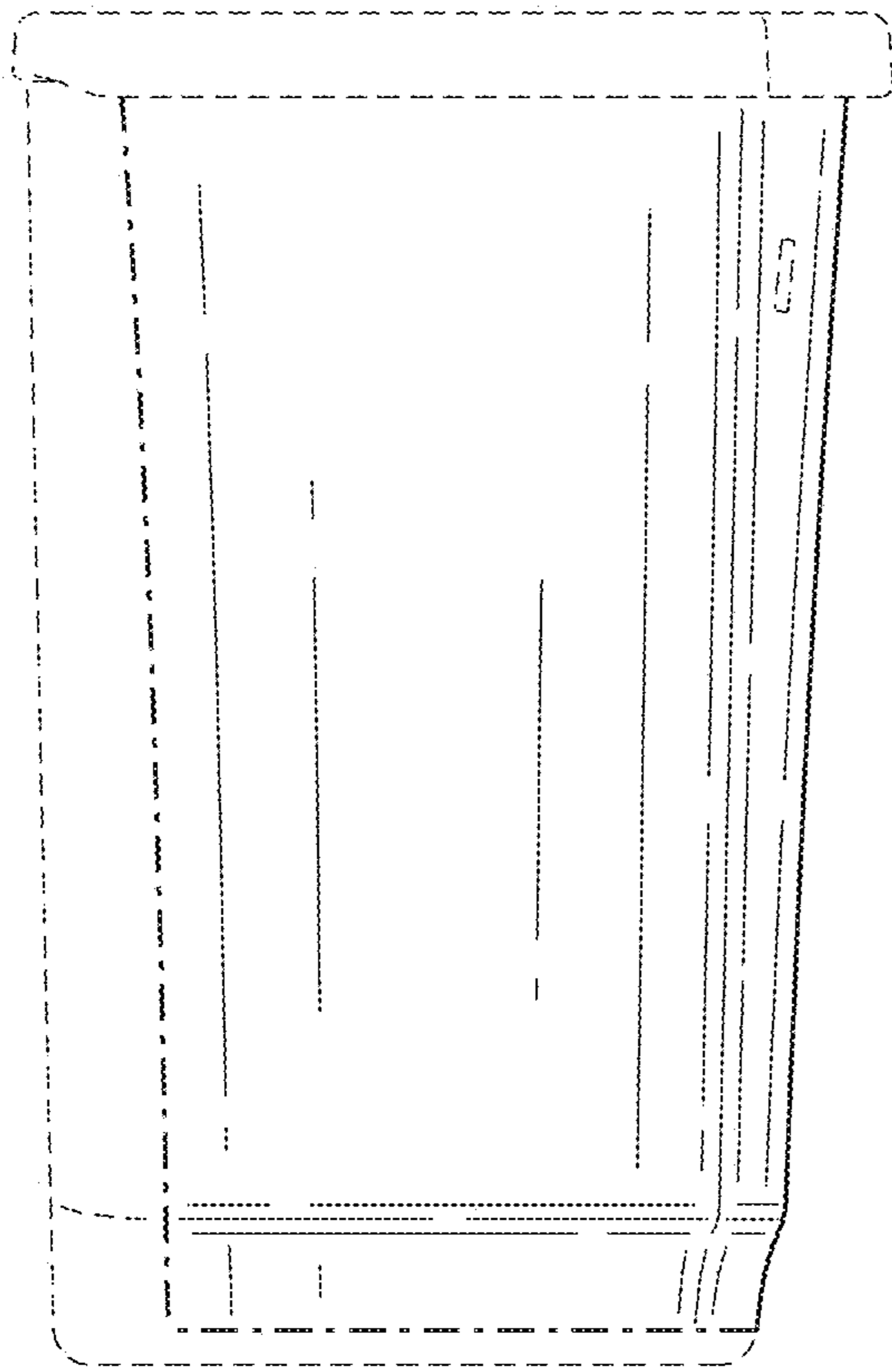


FIG. 4

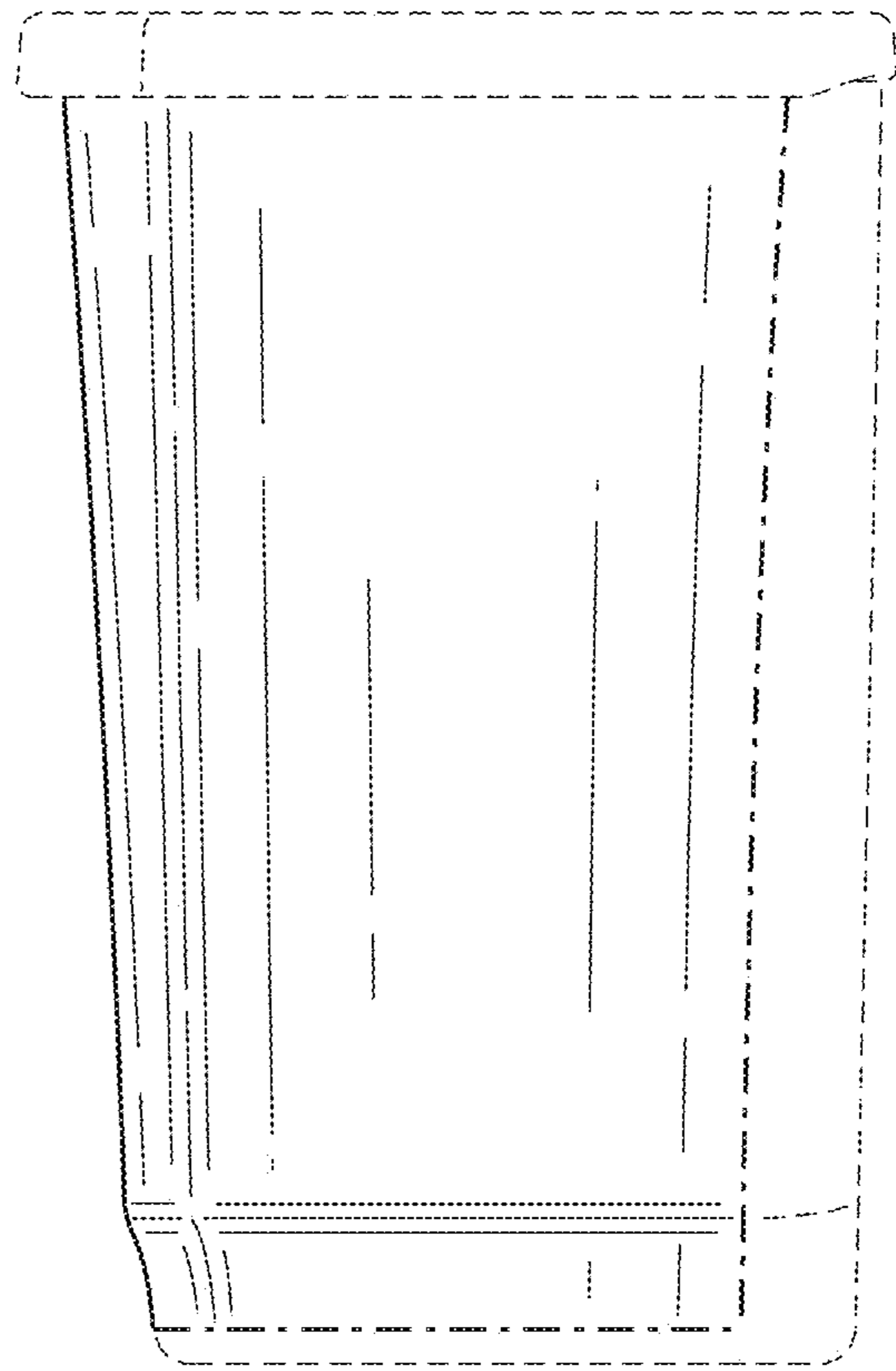


FIG. 5

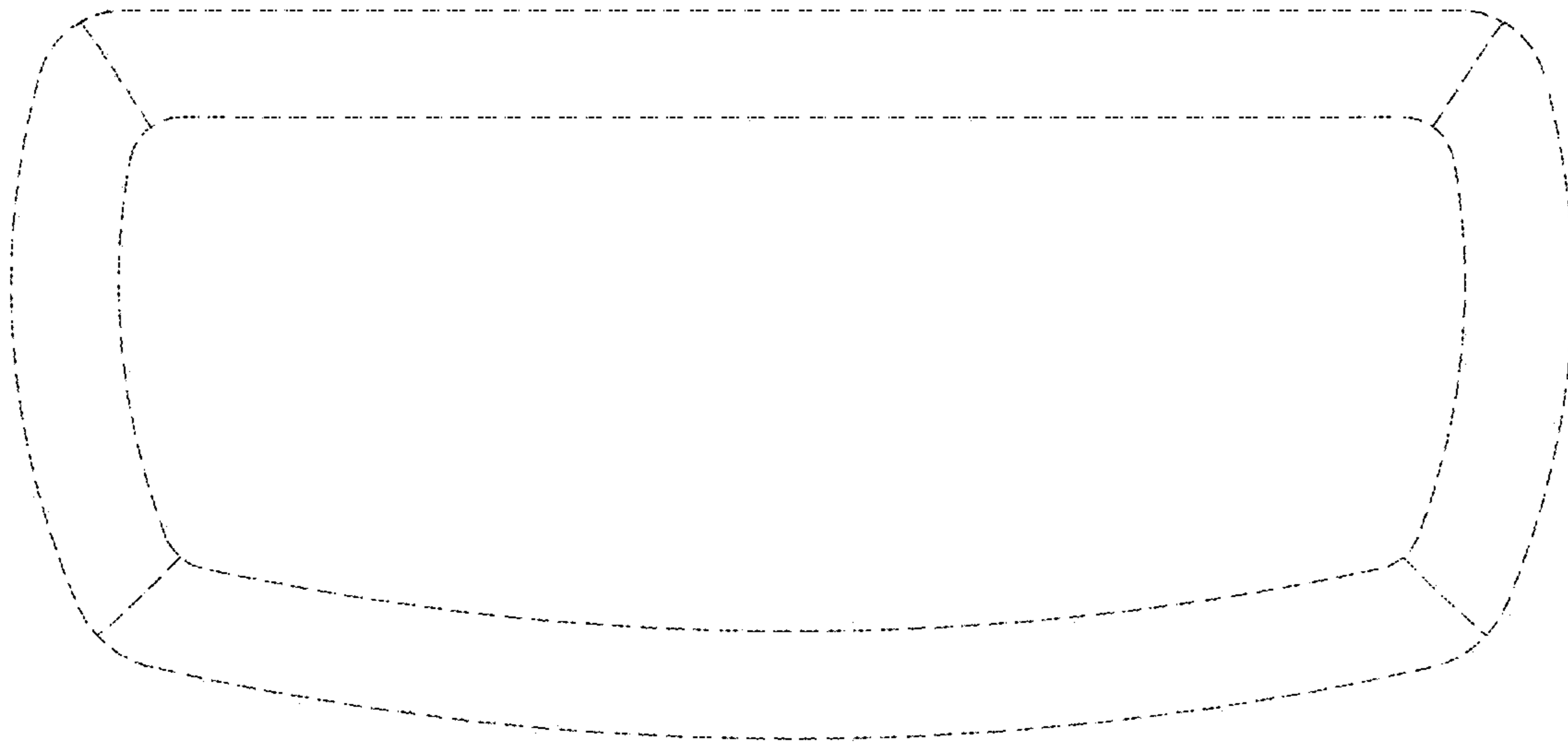


FIG. 6

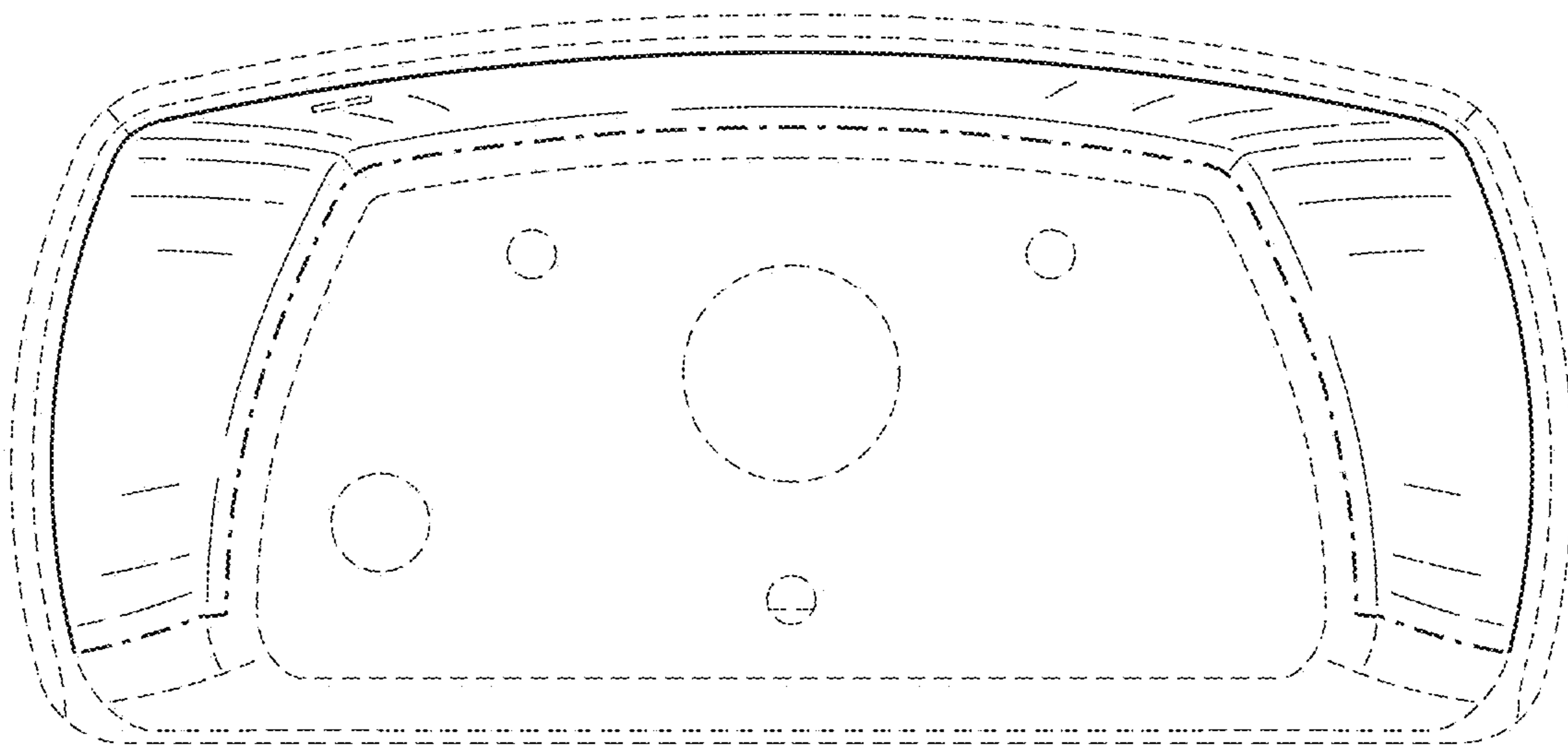


FIG. 7