



US00D941446S

(12) **United States Design Patent**
Ishikawa et al.

(10) **Patent No.:** **US D941,446 S**
(45) **Date of Patent:** **** Jan. 18, 2022**

(54) **TOILET TANK**

D653,315 S * 1/2012 Yoshioka D23/301
D687,936 S * 8/2013 Kennedy D23/313
D759,796 S * 6/2016 Bates D23/313

(71) Applicant: **TOTO, Ltd.**, Kitakyushu (JP)

(72) Inventors: **Masafumi Ishikawa**, Kitakyushu (JP);
Hiroshi Shimoda, Kitakyushu (JP);
Chikahiro Kakimoto, Kitakyushu (JP)

OTHER PUBLICATIONS

Office Action for Japanese Application No. 2020-004710 dated Oct. 22, 2020, 2 pages.

(73) Assignee: **TOTO Ltd.**, Kitakyushu (JP)

* cited by examiner

(**) Term: **15 Years**

Primary Examiner — Robert A Delehanty

(21) Appl. No.: **29/729,253**

(74) *Attorney, Agent, or Firm* — Banner & Witcoff, Ltd.

(22) Filed: **Mar. 25, 2020**

(57) **CLAIM**

The ornamental design for a toilet tank, as shown and described.

(30) **Foreign Application Priority Data**

DESCRIPTION

Mar. 10, 2020 (JP) 2020-004710 D

(51) **LOC (13) Cl.** **23-02**

(52) **U.S. Cl.**
USPC **D23/313**

(58) **Field of Classification Search**
USPC D23/295, 301, 309, 313
See application file for complete search history.

FIG. 1 is a perspective view of a toilet tank showing our new design;
FIG. 2 is a front view thereof;
FIG. 3 is a rear view thereof;
FIG. 4 is a left side view thereof;
FIG. 5 is a right side view thereof;
FIG. 6 is a top view thereof; and,
FIG. 7 is a bottom view thereof.

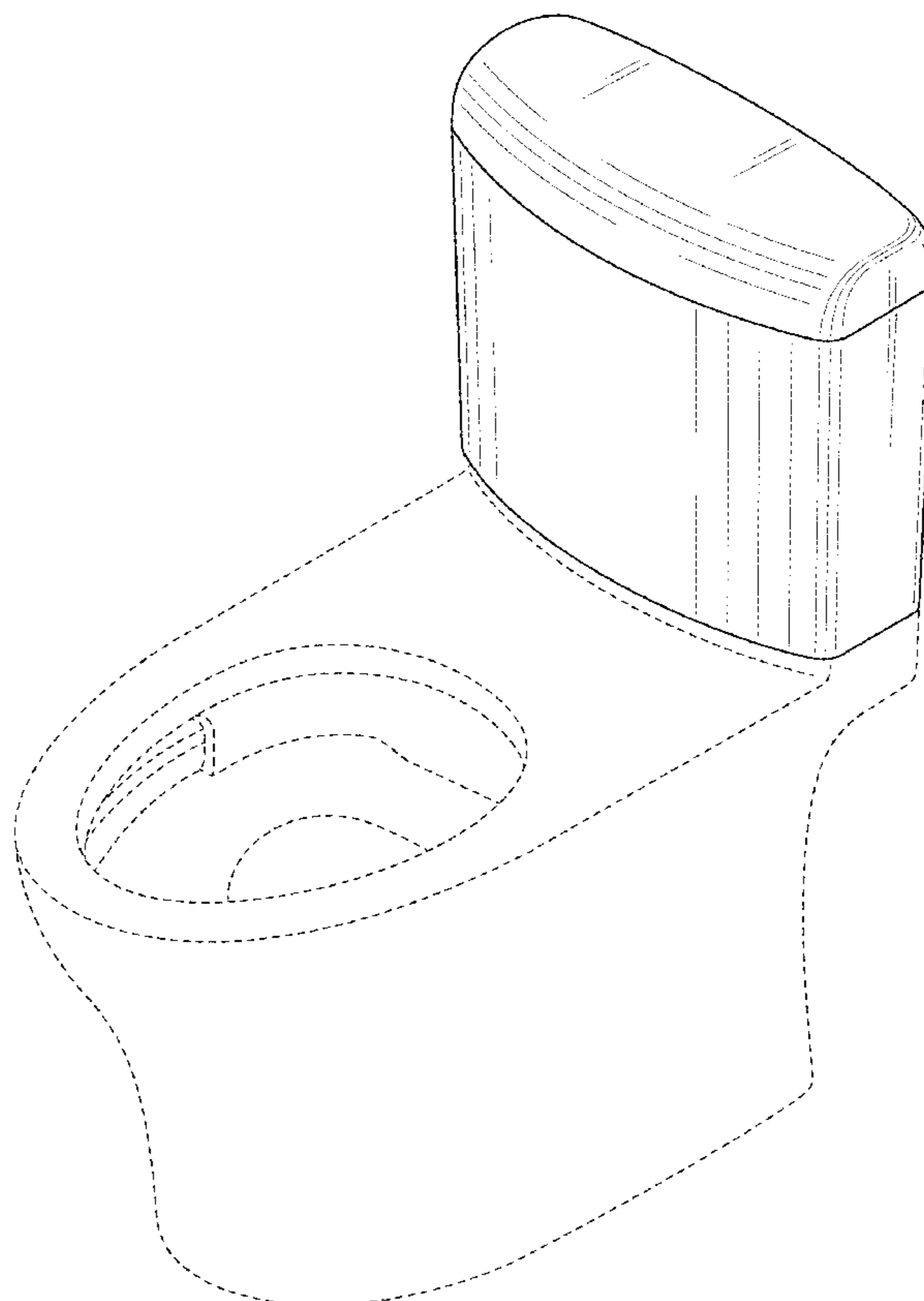
The broken lines in the figures are included for the purpose of illustrating portions of the toilet tank that form no part of the claimed design.

(56) **References Cited**

U.S. PATENT DOCUMENTS

D483,843 S * 12/2003 Ruxchaivan D23/313
D502,765 S * 3/2005 Bucher D23/301
D640,779 S * 6/2011 Bates D23/313

1 Claim, 7 Drawing Sheets



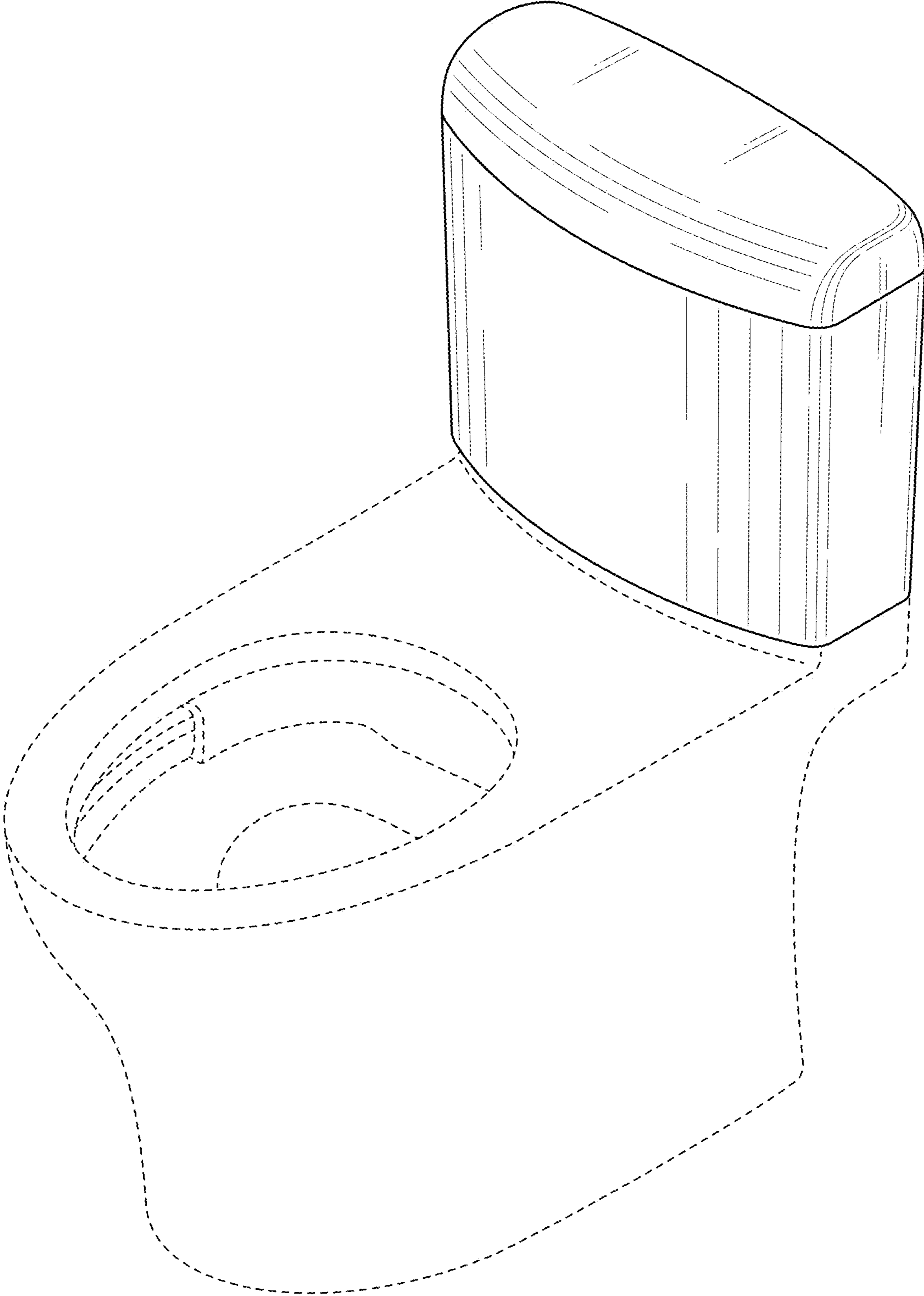


FIG. 1

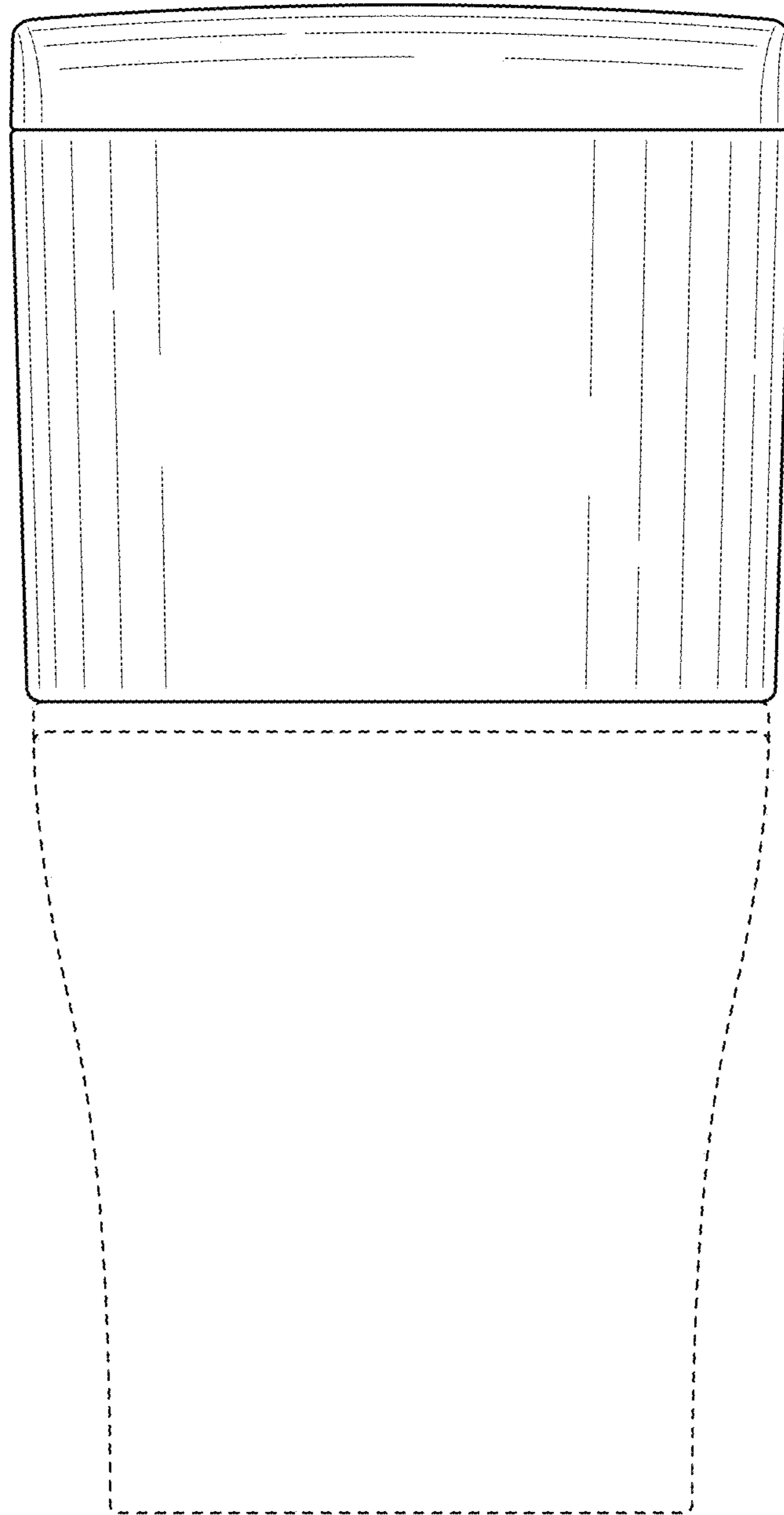


FIG. 2

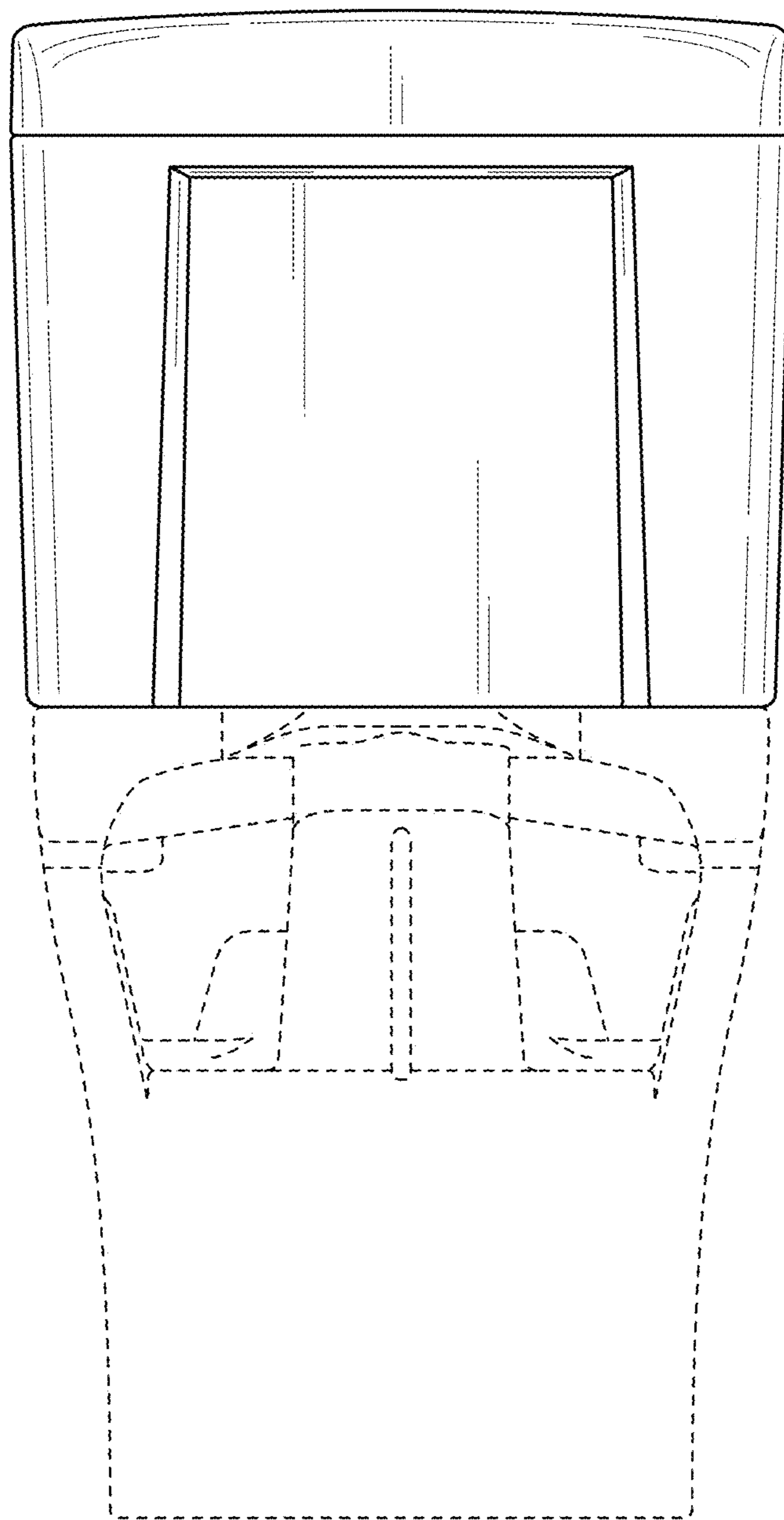


FIG. 3

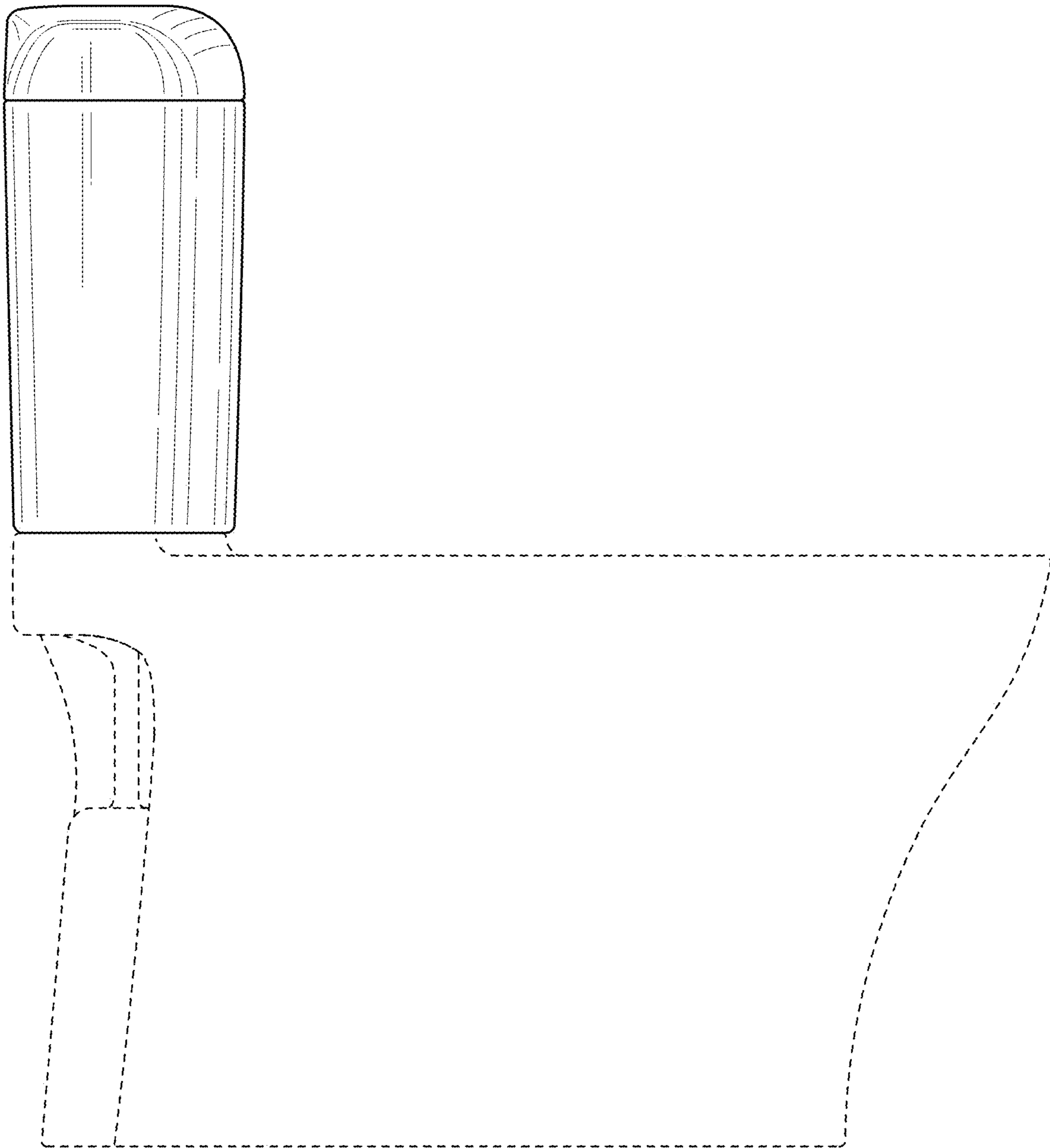


FIG. 4

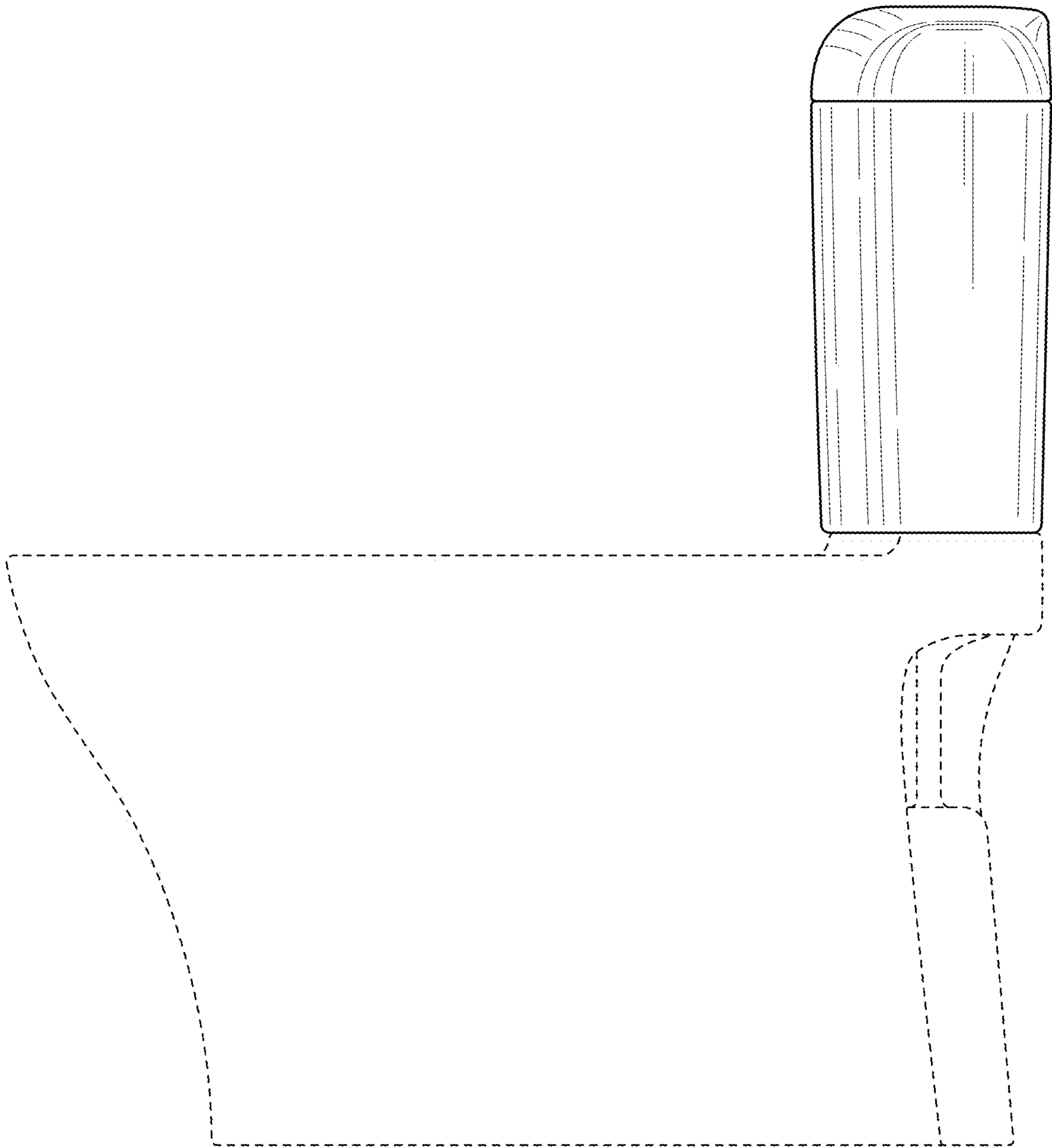


FIG. 5

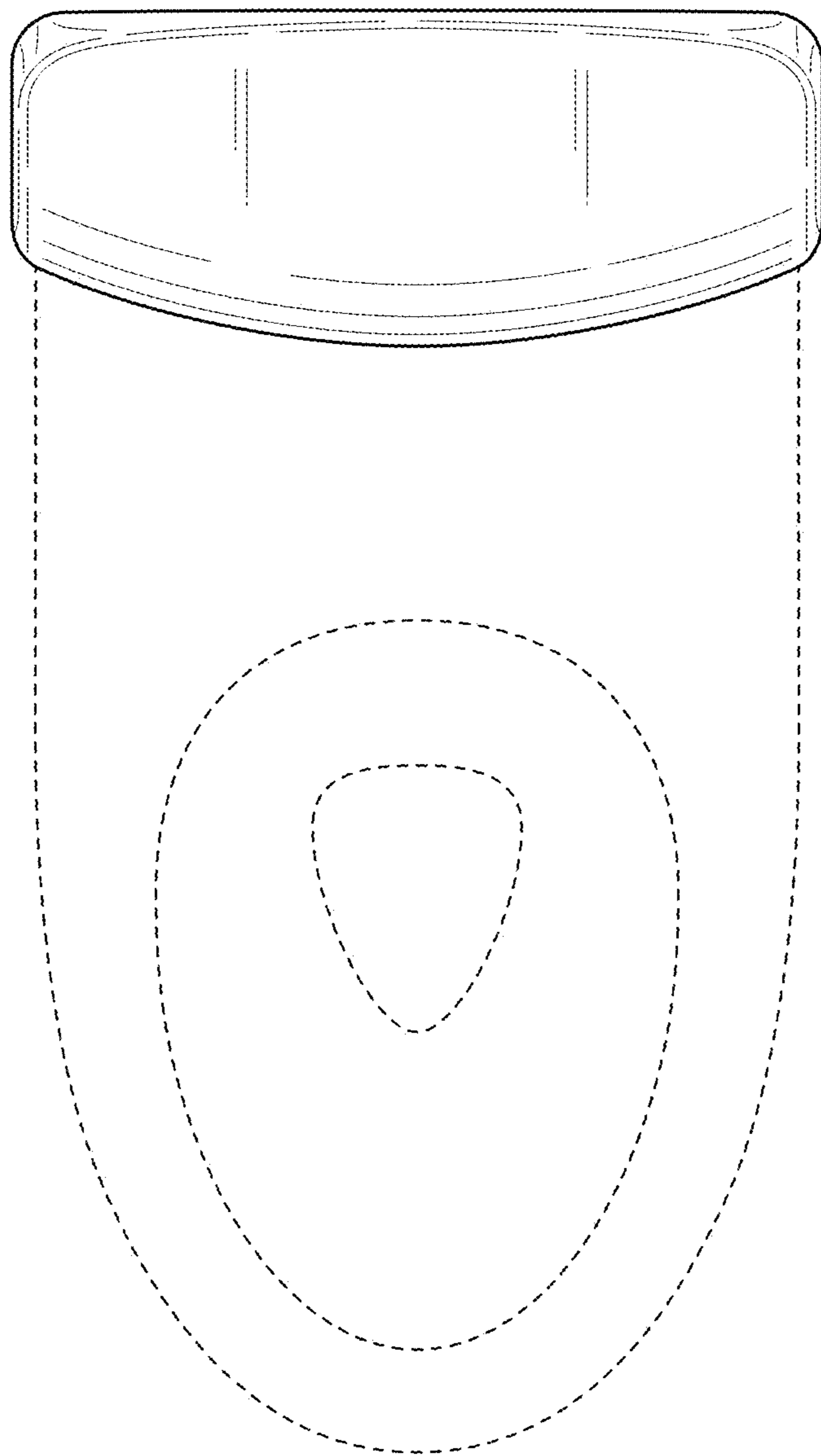


FIG. 6

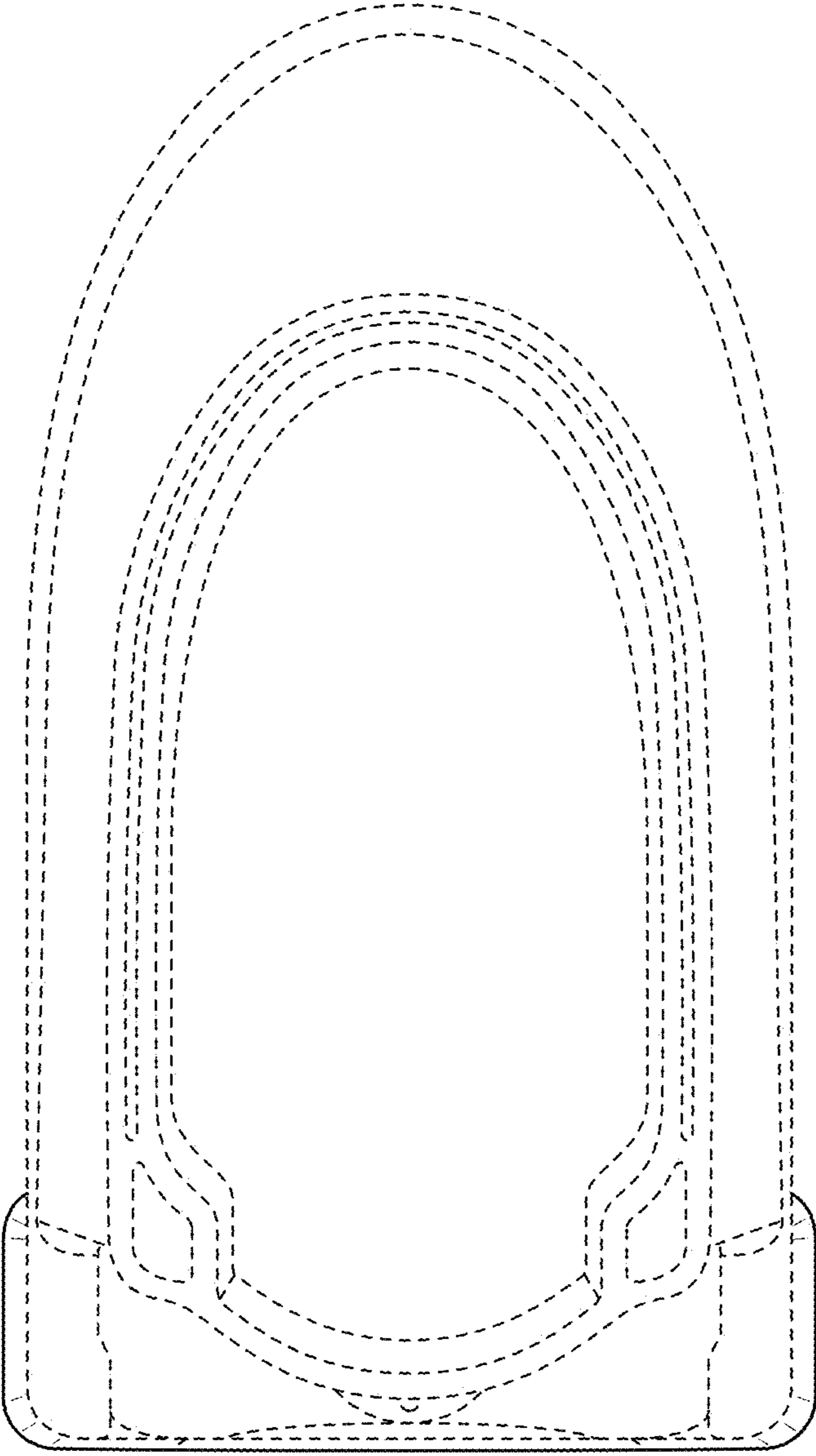


FIG. 7