



US00D941443S

(12) **United States Design Patent**
Brown

(10) **Patent No.:** **US D941,443 S**
(45) **Date of Patent:** **** Jan. 18, 2022**

- (54) **ADHESIVE MOUNTED SCUPPER**
- (71) Applicant: **Michael Brown**, Westborough, MA (US)
- (72) Inventor: **Michael Brown**, Westborough, MA (US)
- (**) Term: **15 Years**
- (21) Appl. No.: **29/692,711**
- (22) Filed: **May 28, 2019**

D319,684	S *	9/1991	Scaramucci	D23/237
D320,644	S *	10/1991	Scaramucci	D23/237
5,385,108	A *	1/1995	Thompson	B63B 13/00 114/183 R
6,164,231	A *	12/2000	Shimmell	B63B 13/02 114/182
6,451,398	B1	9/2002	Sylvester		
8,763,548	B2	7/2014	Swetish et al.		
9,371,112	B2 *	6/2016	Sarnowski	B63B 13/02
9,919,766	B2 *	3/2018	Daley	B63B 59/04
2013/0255033	A1	10/2013	Vu		
2014/0090589	A1 *	4/2014	Sarnowski	B63B 13/02 114/182
2017/0320545	A1 *	11/2017	Daley	B63B 13/02

Related U.S. Application Data

- (63) Continuation-in-part of application No. 15/919,086, filed on Mar. 12, 2018, now abandoned.
- (51) **LOC (13) Cl.** **23-01**
- (52) **U.S. Cl.**
USPC **D23/267**
- (58) **Field of Classification Search**
USPC D23/234-235, 237, 258-261, 267;
D15/4; 4/507-508; 114/173-174, 182,
114/184, 183 R, 185, 197
CPC B63B 19/26; B63B 2221/10
See application file for complete search history.

* cited by examiner

Primary Examiner — Amy C Wierenga
(74) *Attorney, Agent, or Firm* — Shifrin Patent Law; Dan Shifrin

(56) **References Cited**

U.S. PATENT DOCUMENTS

63,496	A *	4/1867	Fox	B63B 13/00 114/185
1,800,556	A *	4/1931	Mead	B63B 13/00 114/182
3,011,468	A *	12/1961	O’Gara	B63B 13/00 114/185
3,180,301	A *	4/1965	Keller	B63B 13/00 114/185
3,394,671	A *	7/1968	Mayer	B63B 13/02 114/183 R
4,505,814	A	3/1985	Marshall		

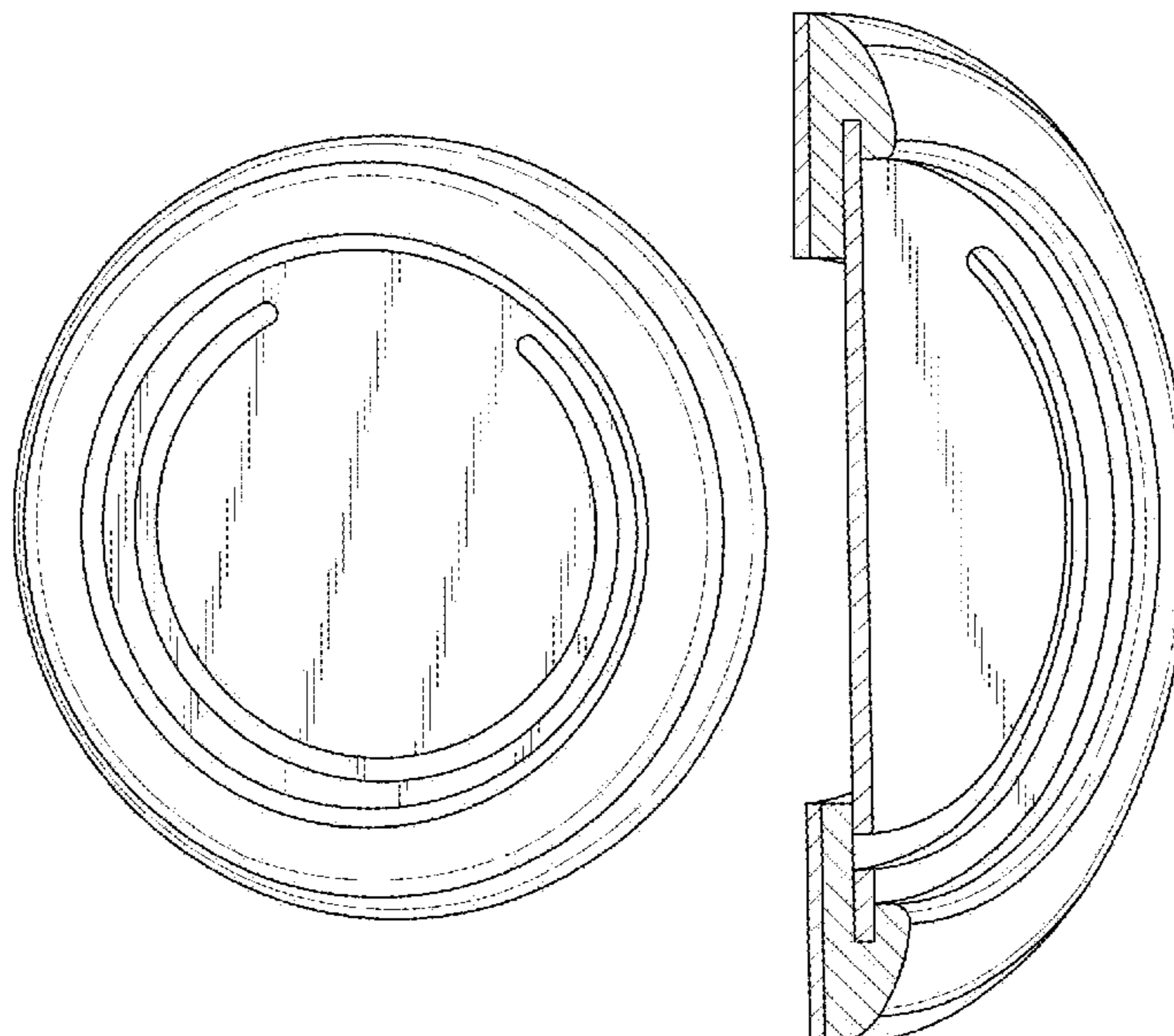
(57) **CLAIM**

The ornamental design for an adhesive mounted scupper, as substantially shown and described.

DESCRIPTION

FIG. 1 is a front view of the adhesive mounted scupper of the present invention;
FIG. 2 is a rear view thereof;
FIG. 3 is a right side view thereof, the left side, top, and bottom views being the same;
FIG. 4 is front cross-sectional view taken from line 4-4 of FIG. 3; and
FIG. 5 is a rear perspective view thereof; and,
FIG. 6 is a side cross-sectional view taken from line 6-6 of FIG. 3 and shown in a position of use installed on a boat hull. The broken lines shown represent environmental subject matter and form no part of the claimed design.

1 Claim, 2 Drawing Sheets



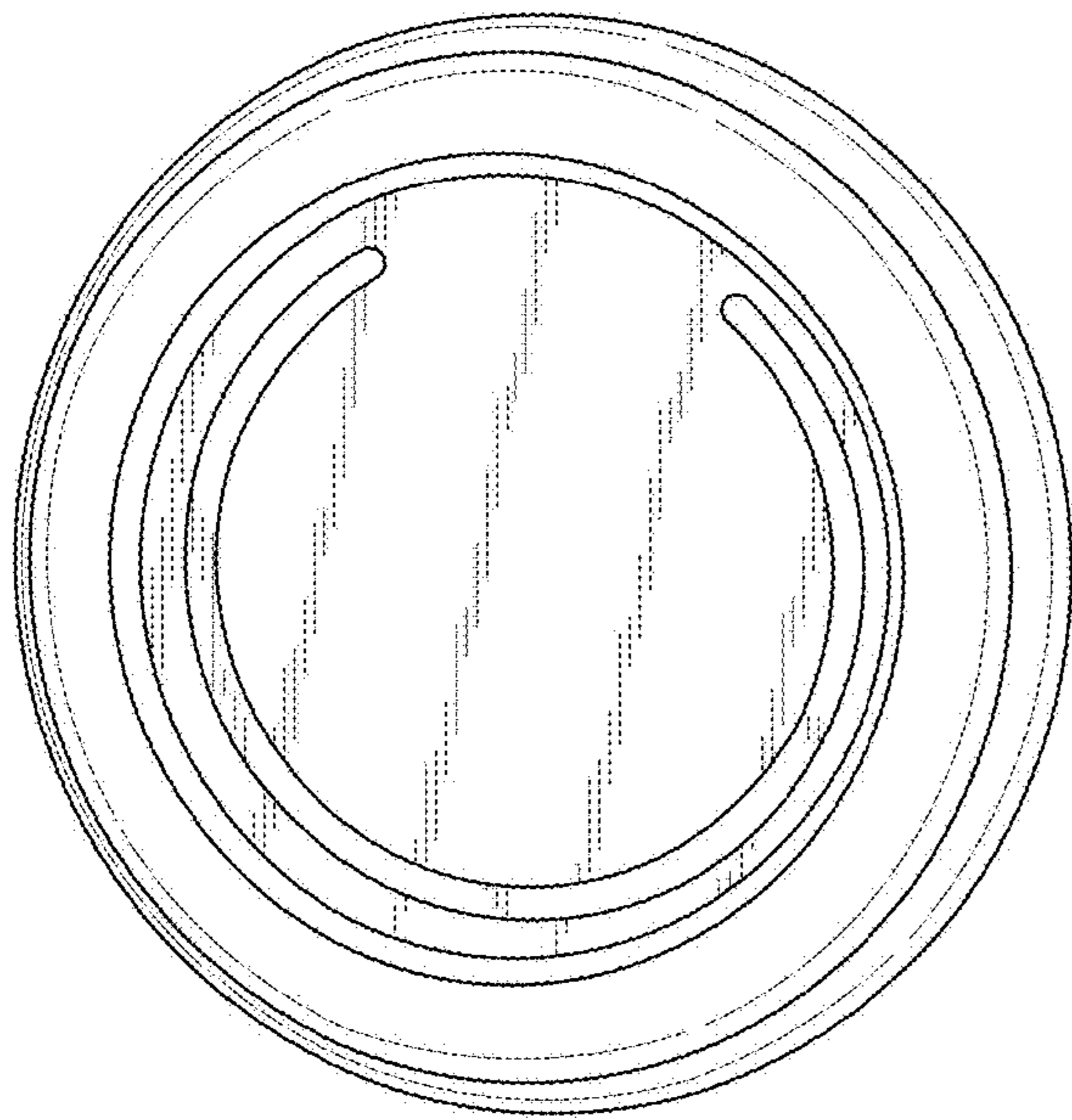


FIG.1

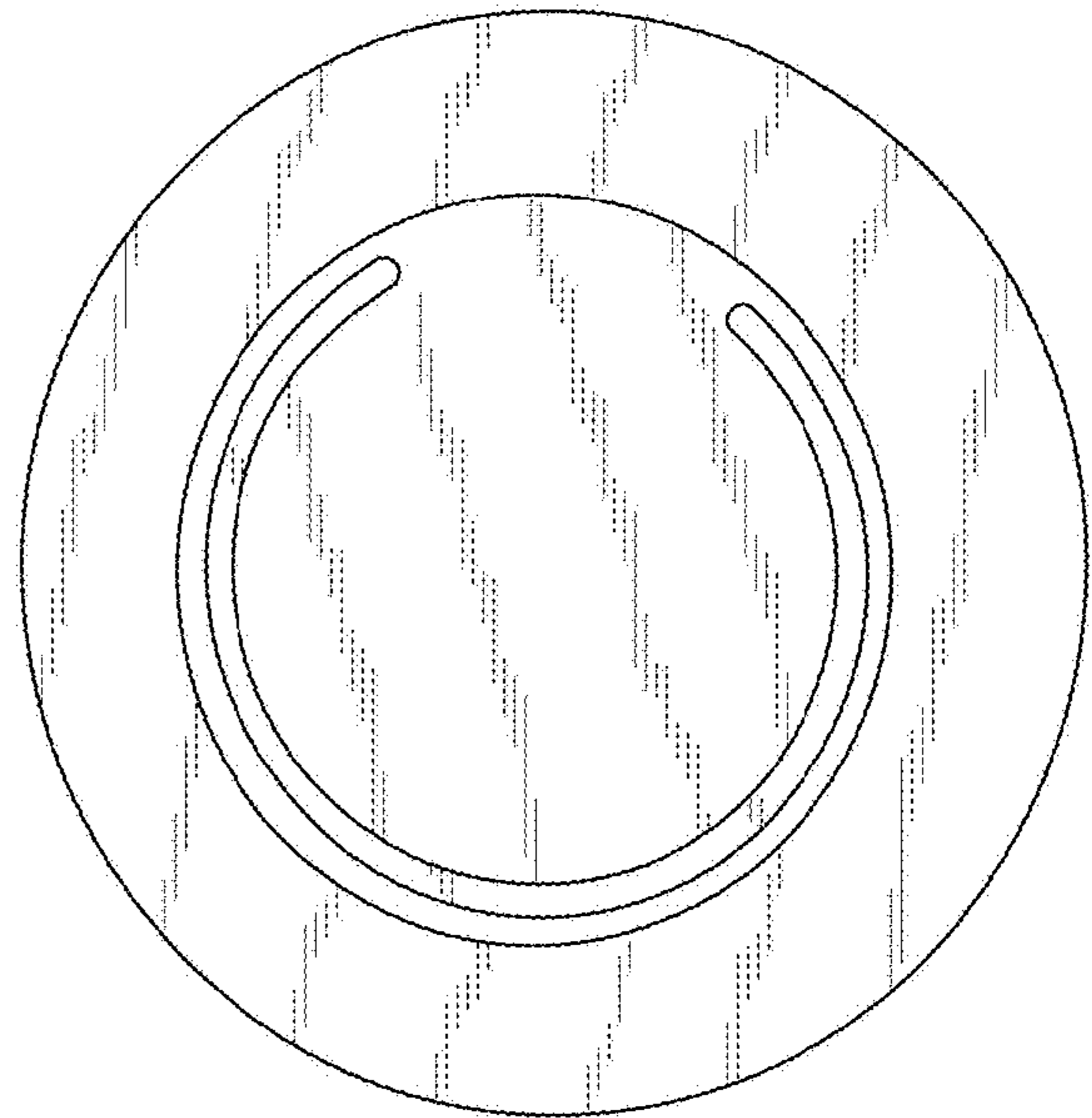


FIG.2

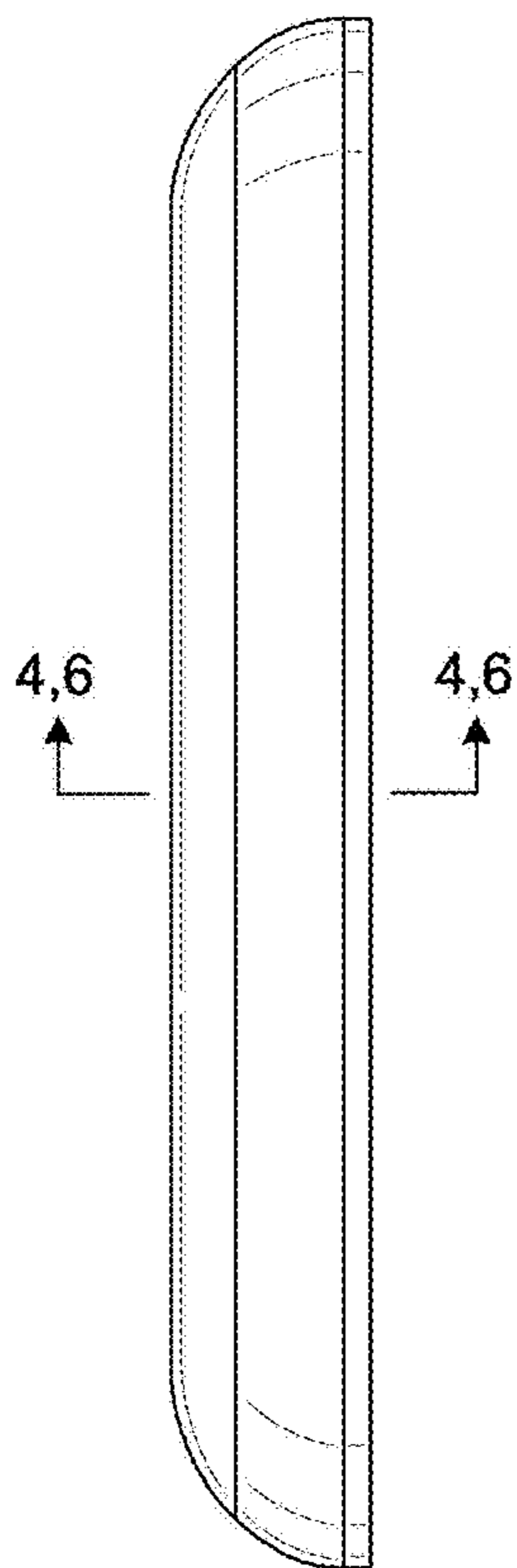


FIG.3

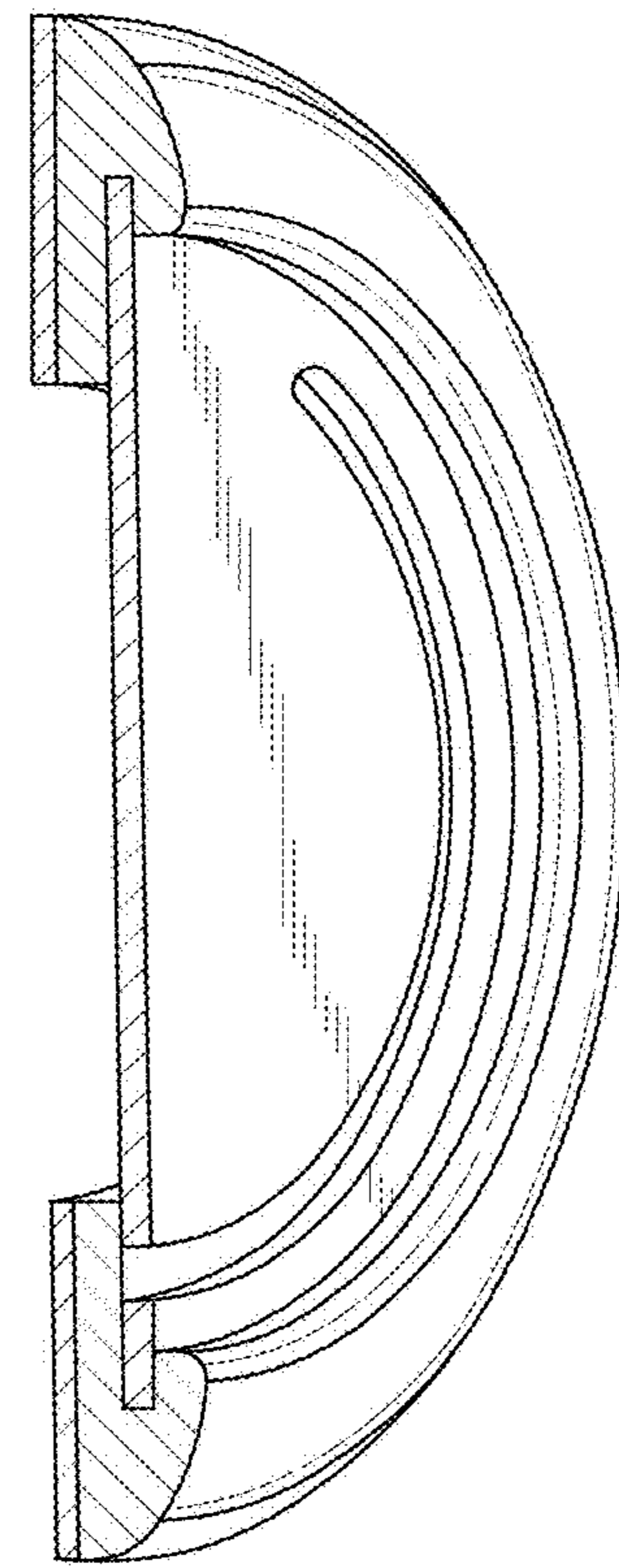


FIG.4

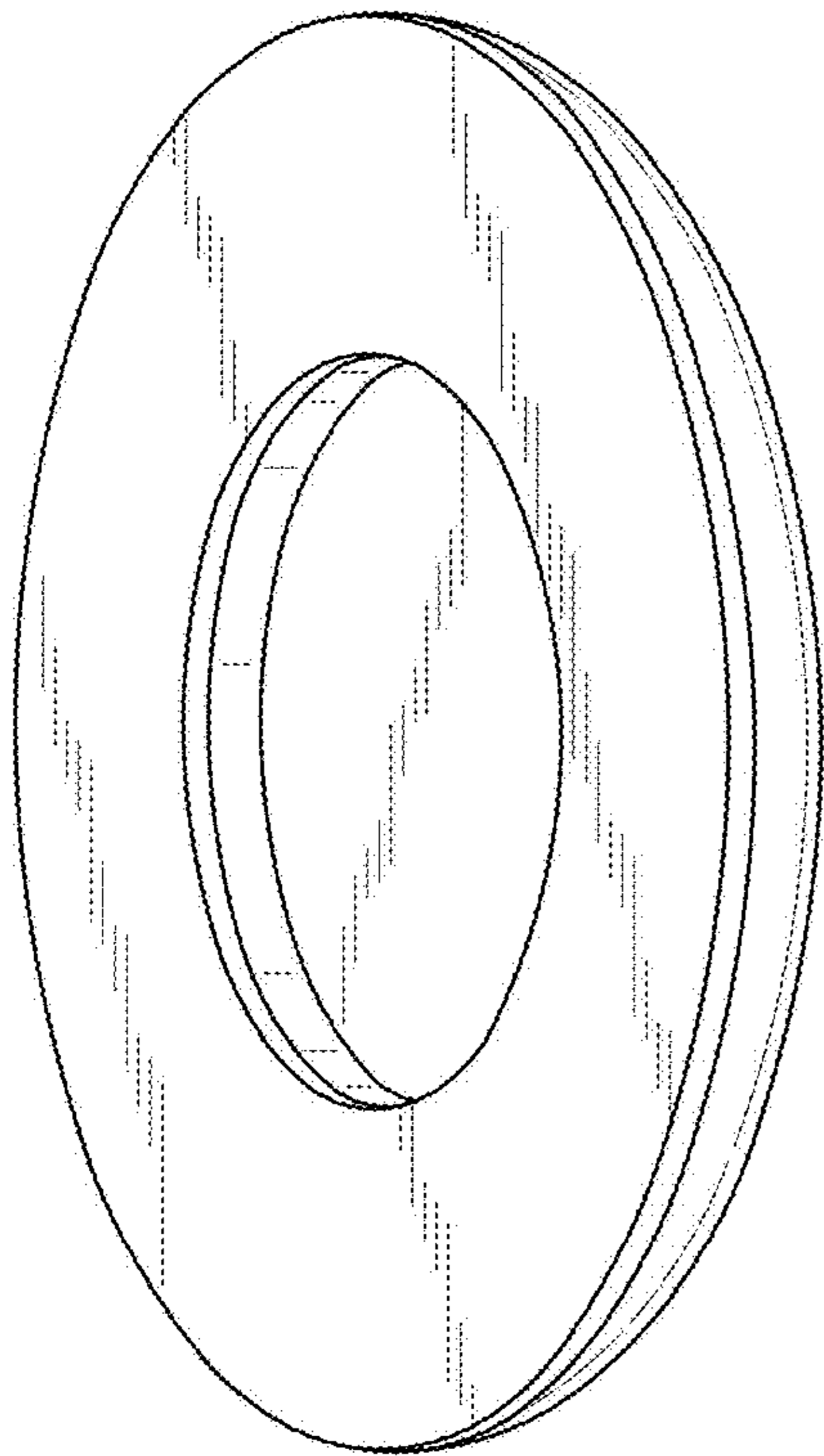


FIG. 5

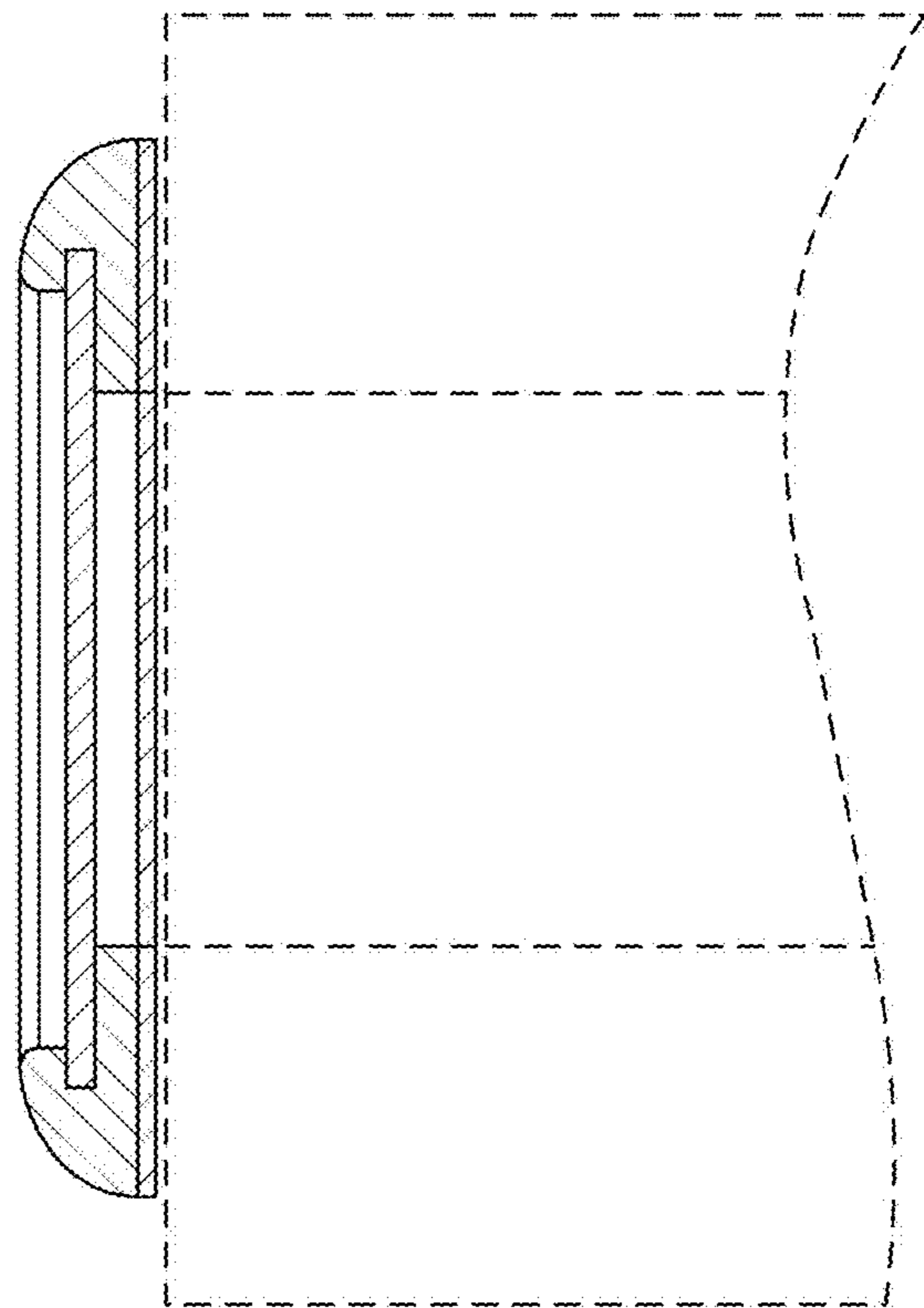


FIG. 6