



US00D941442S

(12) **United States Design Patent**
Hohaia

(10) **Patent No.:** **US D941,442 S**
(45) **Date of Patent:** **** Jan. 18, 2022**

(54) **SURFACE MOUNTABLE GUTTER**

(71) Applicant: **Jesani Limited**, Auckland (NZ)

(72) Inventor: **Grant Hohaia**, Hillcrest (NZ)

(73) Assignee: **Jesani Limited**, Auckland (NZ)

(**) Term: **15 Years**

(21) Appl. No.: **29/642,560**

(22) Filed: **Mar. 30, 2018**

(51) **LOC (13) Cl.** **23-01**

(52) **U.S. Cl.**
USPC **D23/267**

(58) **Field of Classification Search**
USPC D25/102, 119–123, 164, 199; D23/259,
D23/267, 268
CPC . E04D 13/00; E04D 13/0404; E04D 13/0409;
E04D 13/0445; E04D 13/0459; E04D
13/0481; E04D 13/064; E03F 5/04; E03F
5/0407; E03F 5/0408

See application file for complete search history.

(56) **References Cited**

U.S. PATENT DOCUMENTS

D536,105 S *	1/2007	Cochrane	D25/121
D857,180 S *	8/2019	Hohaia	D25/119
2006/0032163 A1 *	2/2006	Korn	E04D 13/1415 52/241
2011/0047695 A1 *	3/2011	Niedens	E03F 5/04 4/679
2011/0067175 A1 *	3/2011	Steylaerts	E03F 5/0408 4/679
2016/0130794 A1 *	5/2016	Erlebach	E03F 5/0408 4/613
2018/0238040 A1 *	8/2018	Grant	E03F 5/0407

* cited by examiner

Primary Examiner — Llorelys Martinez

(74) *Attorney, Agent, or Firm* — Lowe Graham Jones PLLC

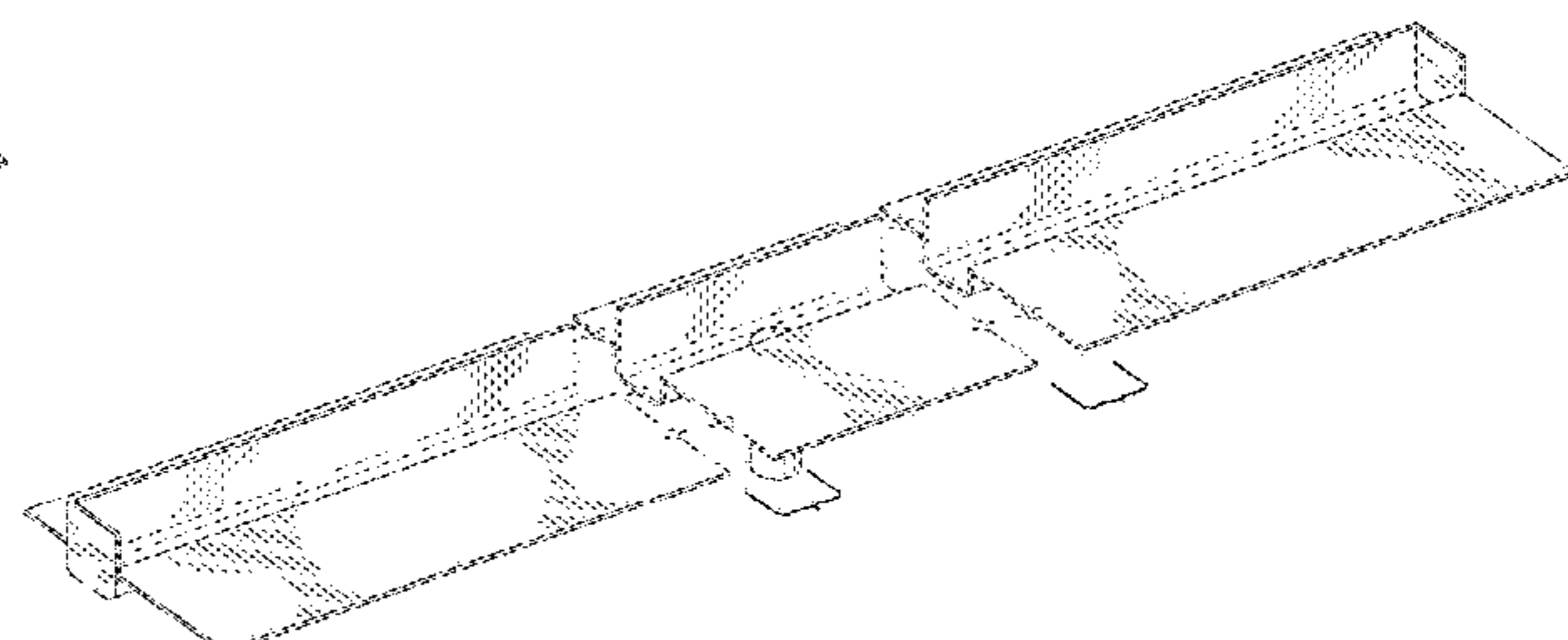
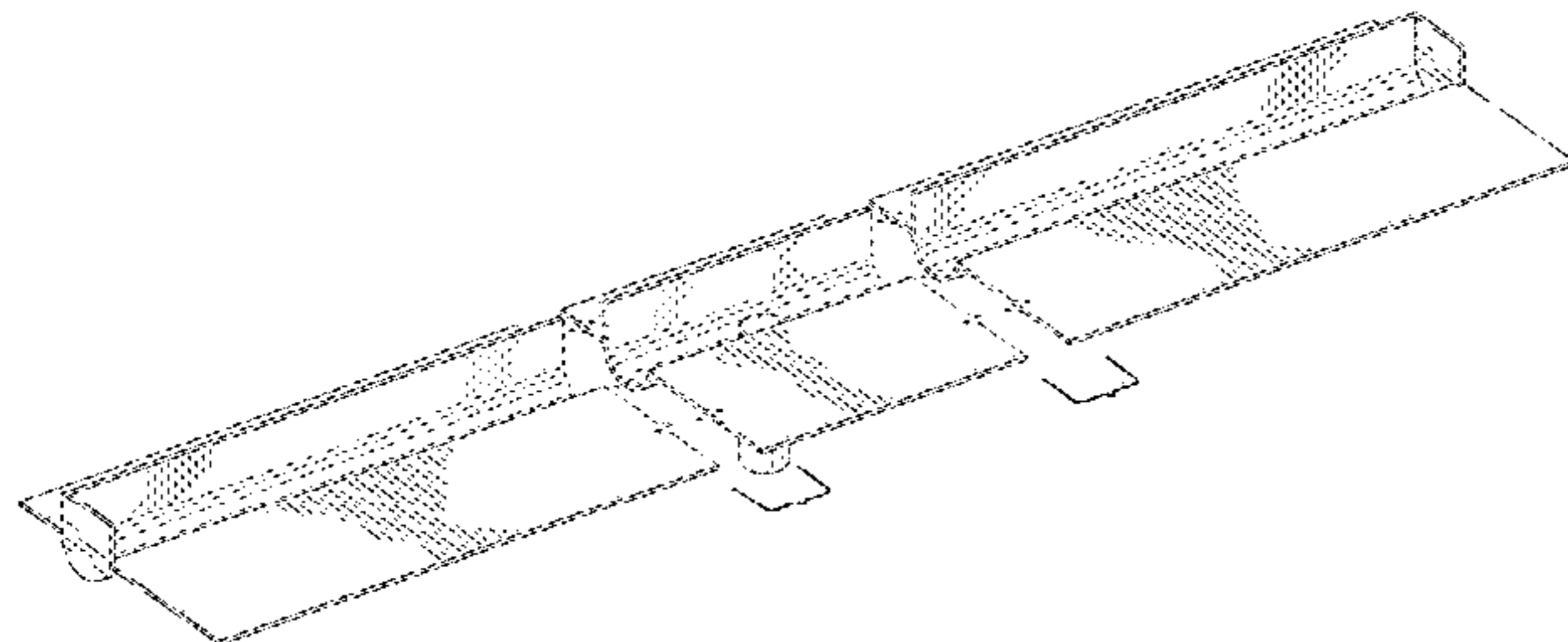
(57) **CLAIM**

I claim the ornamental design for a surface mountable gutter, as shown and described.

DESCRIPTION

FIG. 1 is a top perspective view of a first embodiment of a surface mountable gutter, showing my new design.
 FIG. 2 is a front elevational view thereof.
 FIG. 3 is a rear elevational view thereof.
 FIG. 4 is a left side elevational view thereof.
 FIG. 5 is a right side elevational view thereof.
 FIG. 6 is a top plan view thereof.
 FIG. 7 is a bottom plan view thereof.
 FIG. 8 is a top perspective view of a second embodiment of the surface mountable gutter, showing my new design.
 FIG. 9 is a front elevational view thereof.
 FIG. 10 is a rear elevational view thereof.
 FIG. 11 is a left side elevational view thereof.
 FIG. 12 is a right side elevational view thereof.
 FIG. 13 is a top plan view thereof; and,
 FIG. 14 is a bottom plan view thereof.
 The surface mountable gutter is shown with symbolic breaks in its length. The appearance of the surface mountable gutter between the break lines forms no part of the claimed design. The broken lines in the drawings illustrate portions of the surface mountable gutter that form no part of the claimed design.

1 Claim, 8 Drawing Sheets



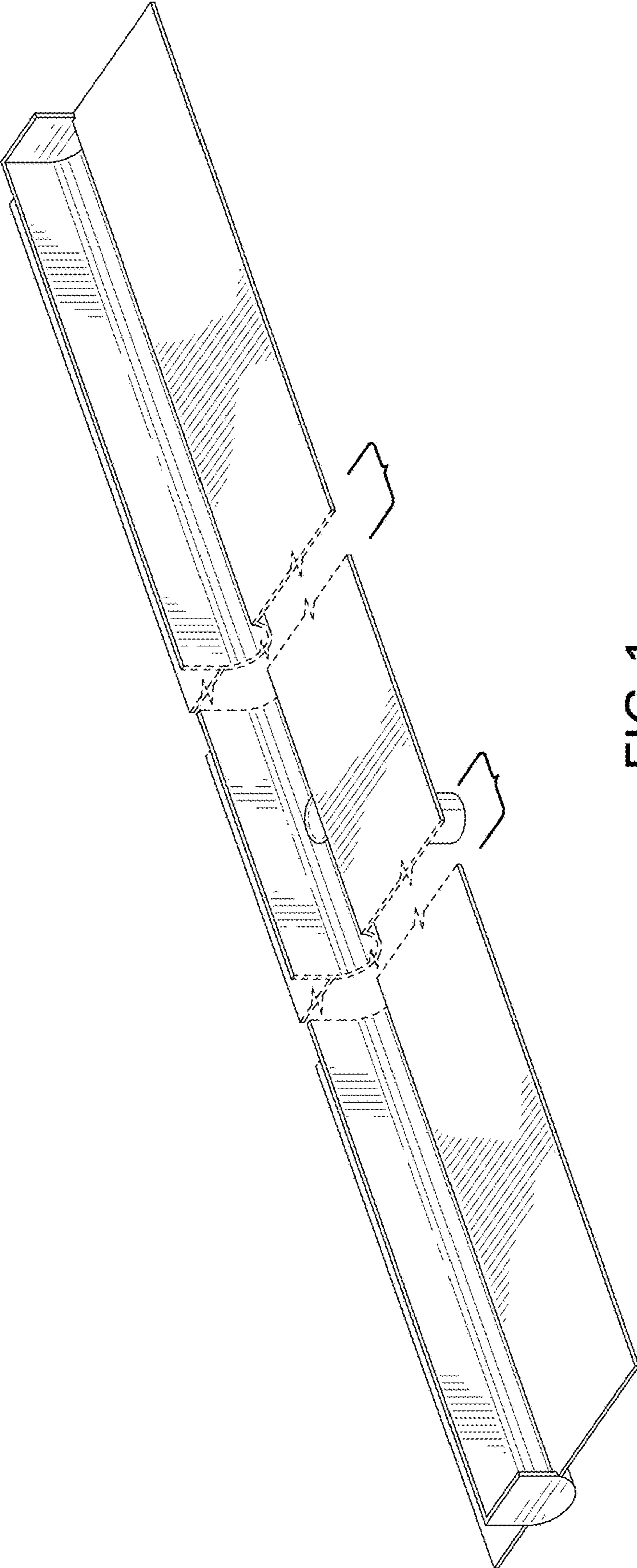


FIG.1

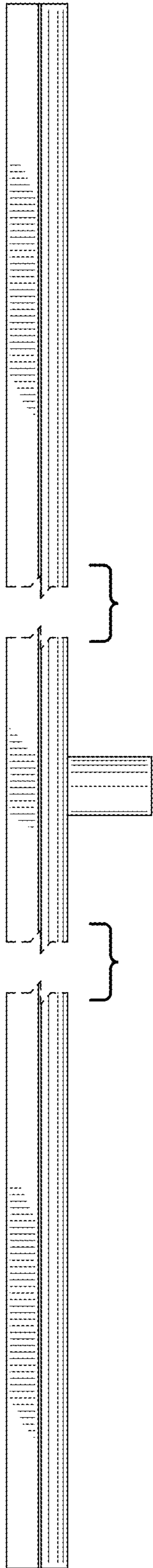


FIG. 2

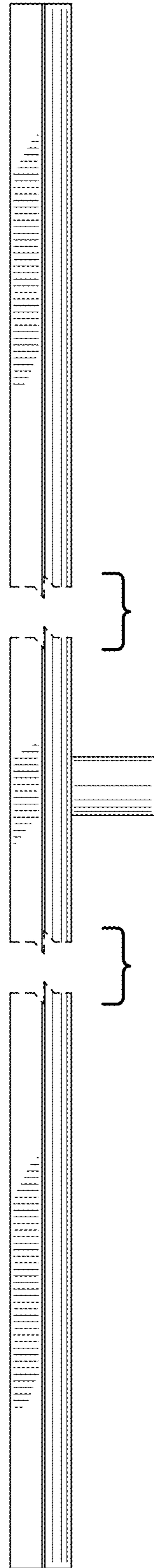


FIG. 3

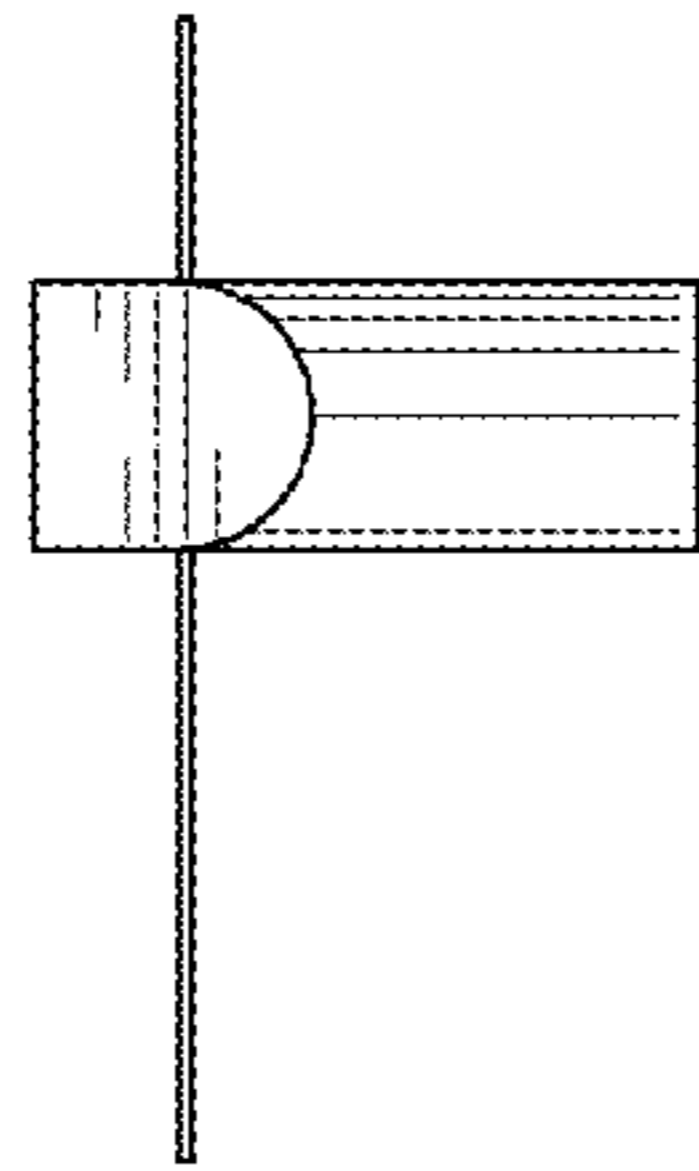


FIG. 5

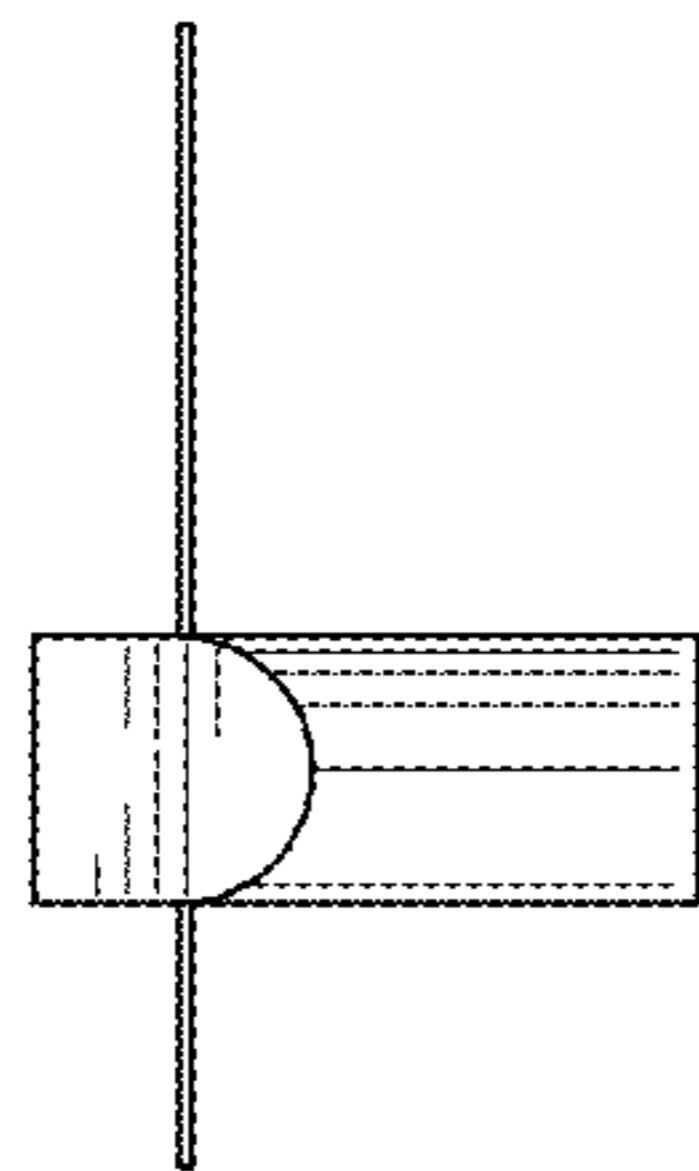


FIG. 4

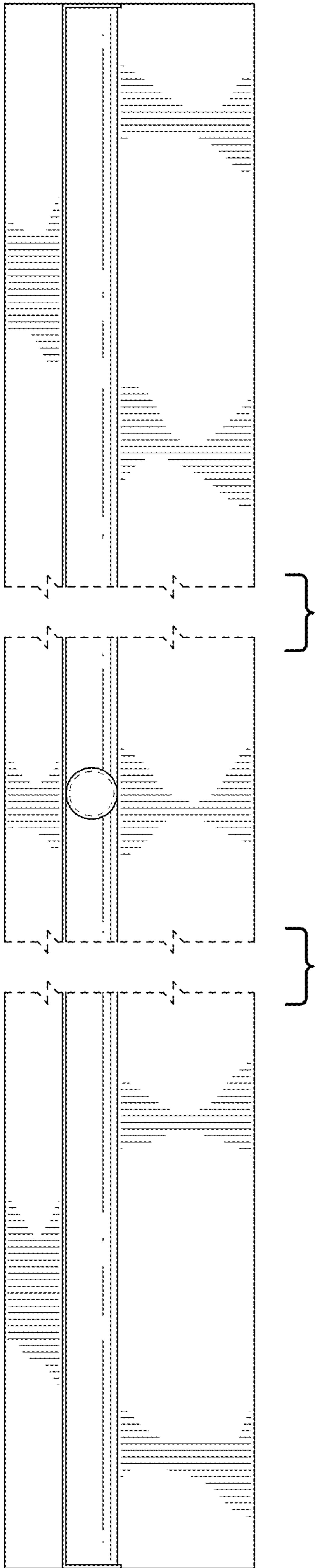


FIG. 6

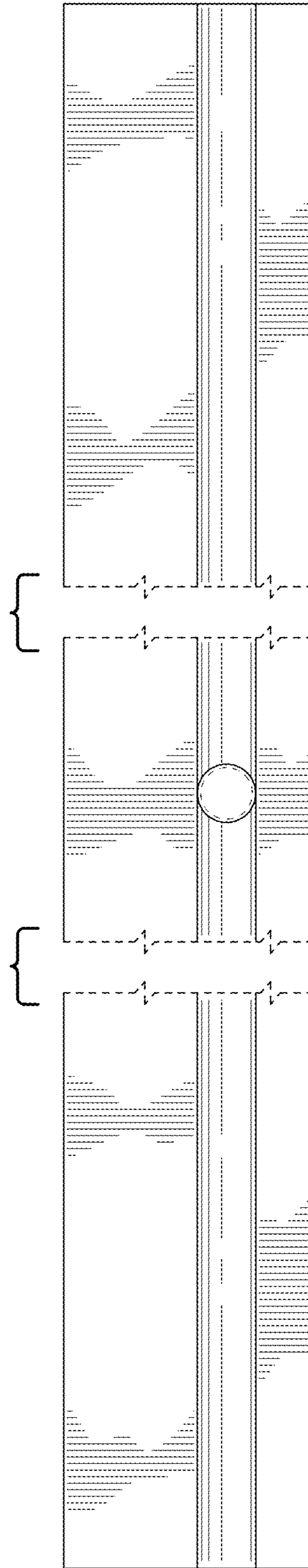


FIG. 7

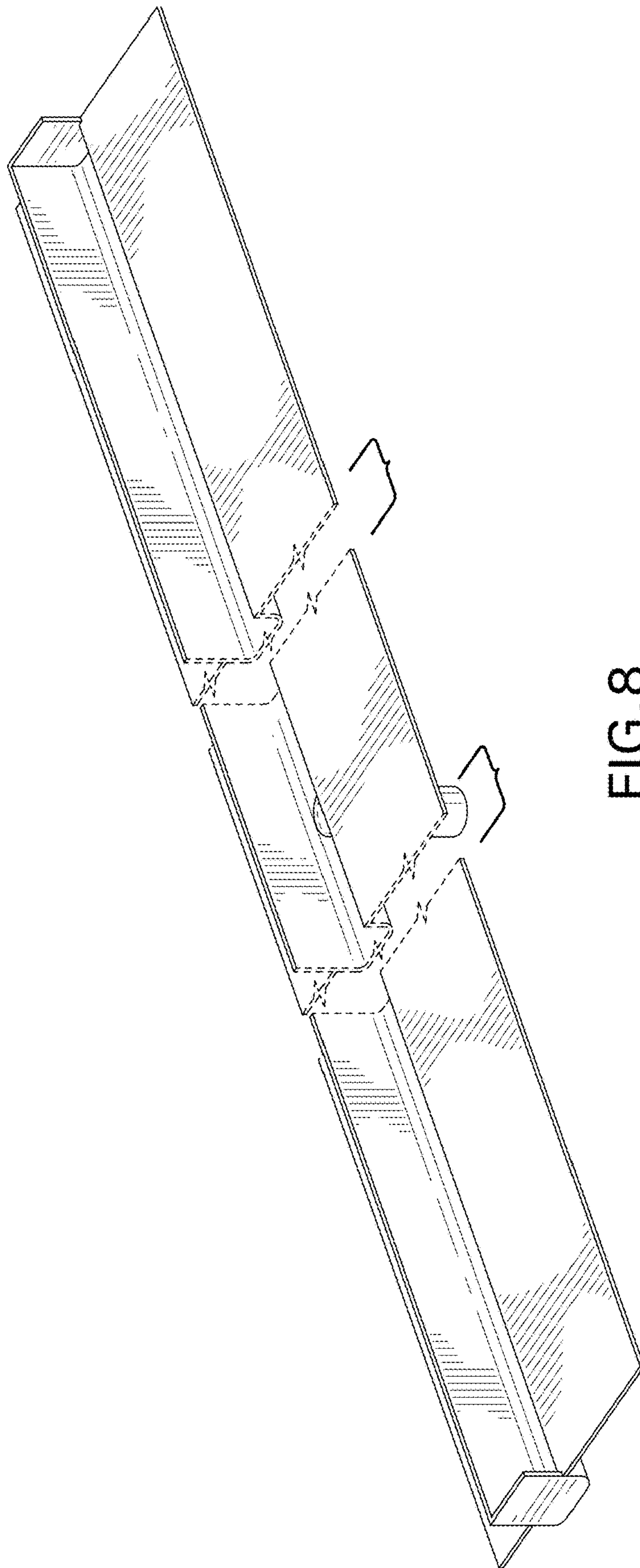


FIG. 8

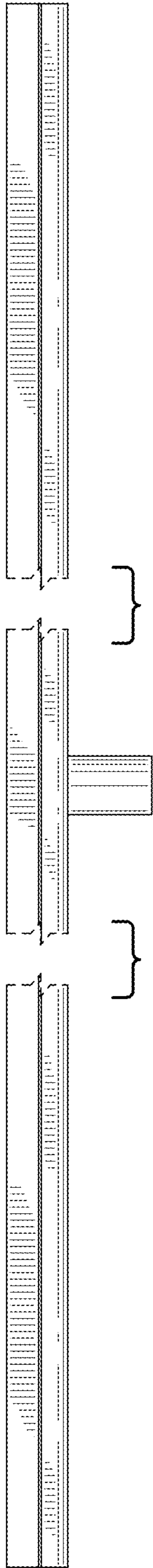


FIG. 9

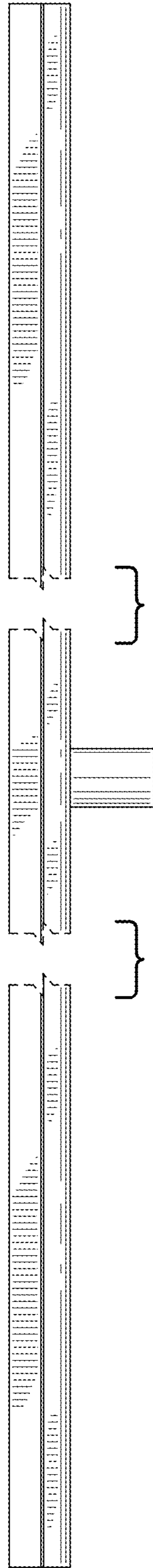


FIG. 10

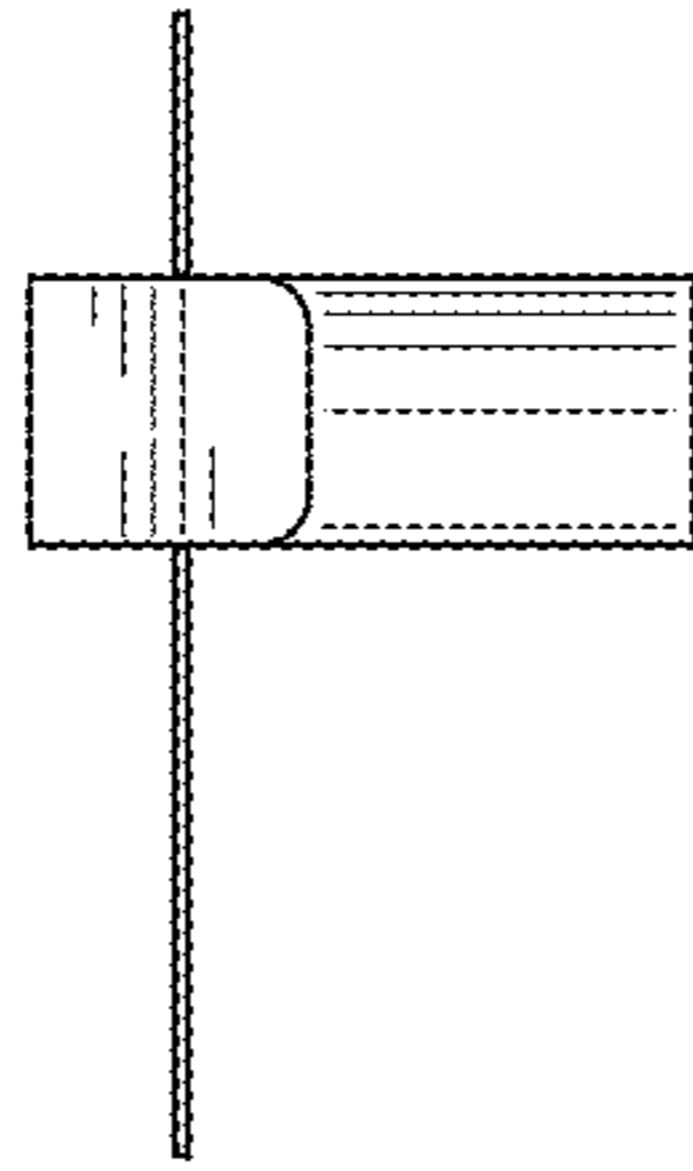


FIG. 12

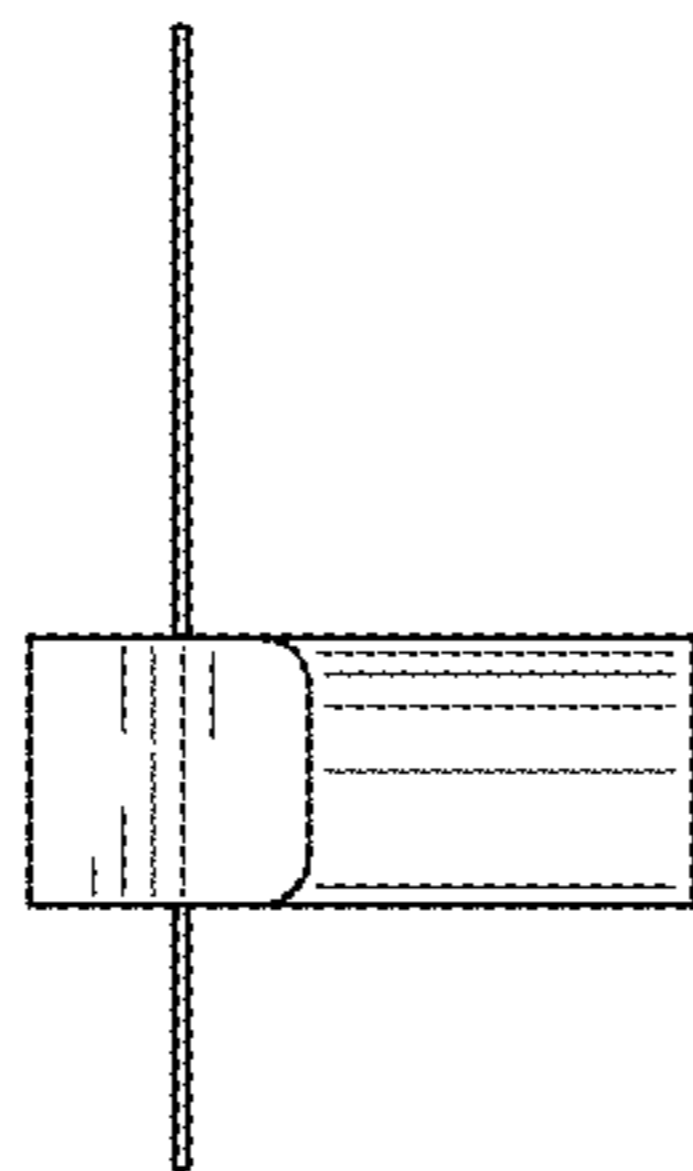


FIG. 11

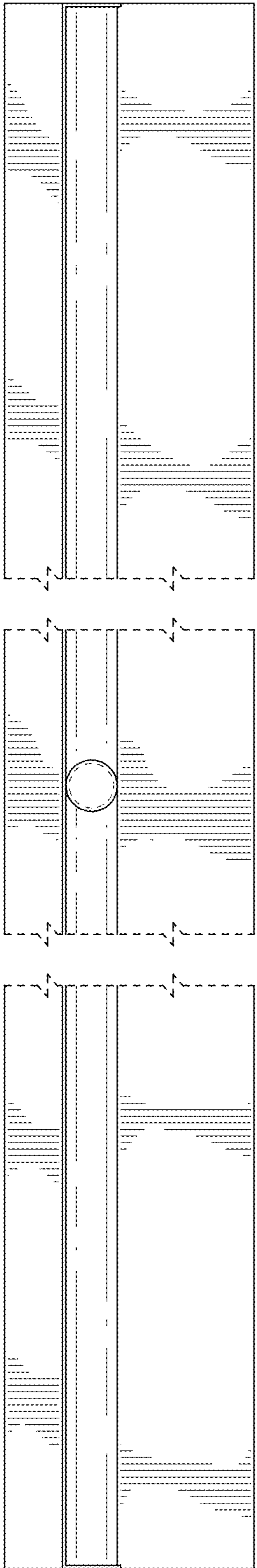


FIG. 13

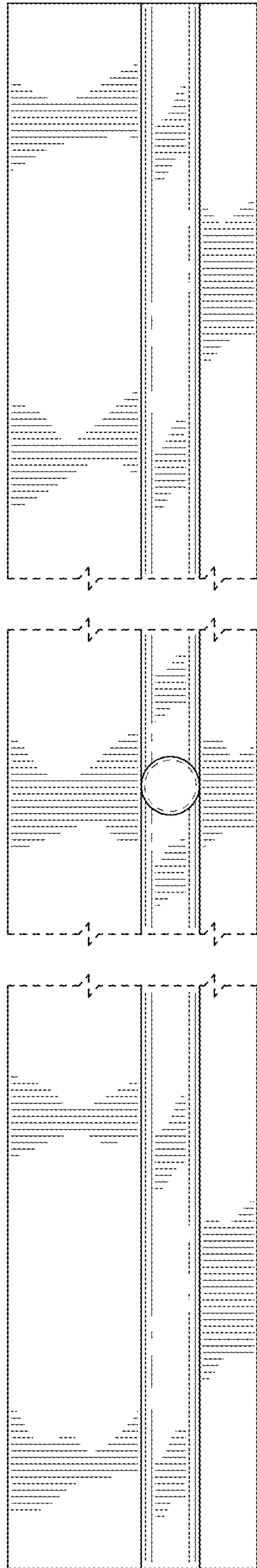


FIG. 14