



US00D941441S

(12) **United States Design Patent** (10) **Patent No.:** **US D941,441 S**  
**Ghiorghie** (45) **Date of Patent:** **\*\* Jan. 18, 2022**

(54) **STRAINER**

- (71) Applicant: **InterDesign, Inc.**, Solon, OH (US)
- (72) Inventor: **Radu Alexandru Ghiorghie**, Copley, OH (US)
- (73) Assignee: **InterDesign, Inc.**, Solon, OH (US)
- (\*\*) Term: **15 Years**
- (21) Appl. No.: **29/777,258**
- (22) Filed: **Apr. 5, 2021**

**Related U.S. Application Data**

(63) Continuation of application No. 29/746,698, filed on Aug. 17, 2020, now Pat. No. Des. 915,073, which is a continuation of application No. 29/712,035, filed on Nov. 5, 2019, now Pat. No. Des. 895,970, which is a continuation of application No. 29/678,011, filed on Jan. 25, 2019, now Pat. No. Des. 878,051, which is a continuation of application No. 29/636,788, filed on Feb. 12, 2018, now Pat. No. Des. 842,607, which is a continuation of application No. 29/522,628, filed on Apr. 1, 2015, now Pat. No. Des. 773,654, which is a continuation of application No. 29/471,492, filed on Nov. 1, 2013, now Pat. No. Des. 751,318, which is a continuation of application No. 29/411,666, filed on Jan. 25, 2012, now Pat. No. Des. 694,548.

- (51) **LOC (13) Cl.** ..... **23-01**
- (52) **U.S. Cl.**  
USPC ..... **D23/261**
- (58) **Field of Classification Search**  
USPC ..... D23/208–209, 259–262, 266, 268;  
D7/667  
CPC ... E03C 1/23; E03C 1/26; E03C 1/262; A47K  
1/14; A47J 19/00; A47J 43/22; A47J  
43/24

See application file for complete search history.

(56) **References Cited**

U.S. PATENT DOCUMENTS

4,471,497 A	9/1984	Riutort et al.	
D466,198 S *	11/2002	Mullings .....	D23/261
D514,398 S *	2/2006	Feil .....	D7/400
D543,796 S *	6/2007	Lion .....	D7/667
D558,001 S *	12/2007	Stewart .....	D7/667

(Continued)

FOREIGN PATENT DOCUMENTS

AU	1636095	10/1995
----	---------	---------

OTHER PUBLICATIONS

Amazon.com, Rahano Kitchen Strainer, Feb. 25, 2021, <https://www.amazon.com/dp/B08XJ8GD5Q/> (Year: 2021).\*

(Continued)

*Primary Examiner* — Nathan M Johnston  
(74) *Attorney, Agent, or Firm* — Calfee, Halter & Griswold LLP

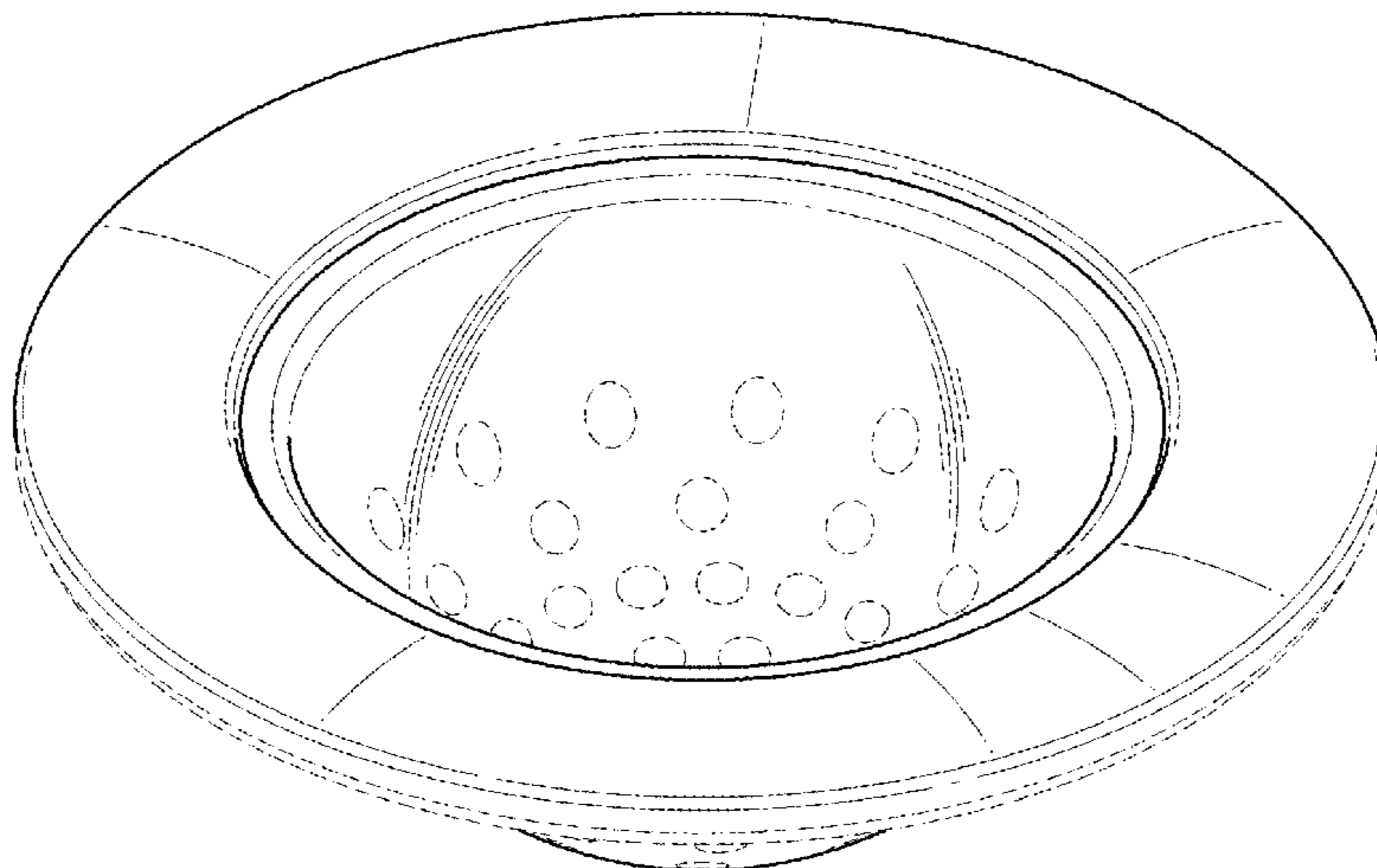
(57) **CLAIM**

I claim the ornamental design for a strainer, as shown and described.

**DESCRIPTION**

FIG. 1 is a front/right/top perspective view of a strainer (a front/left/top perspective view would be a mirror image thereof);  
FIG. 2 is a rear/left/bottom perspective view thereof (a rear/right/bottom perspective view would be a mirror image thereof);  
FIG. 3 is a front elevational view thereof;  
FIG. 4 is a left side elevational view thereof (a right side elevational view would be a mirror image thereof);  
FIG. 5 is a top plan view thereof; and,  
FIG. 6 is a bottom plan view thereof.

(Continued)



The broken lines show portions of the strainer that form no part of the claimed design.

1 Claim, 5 Drawing Sheets

(56)

References Cited

U.S. PATENT DOCUMENTS

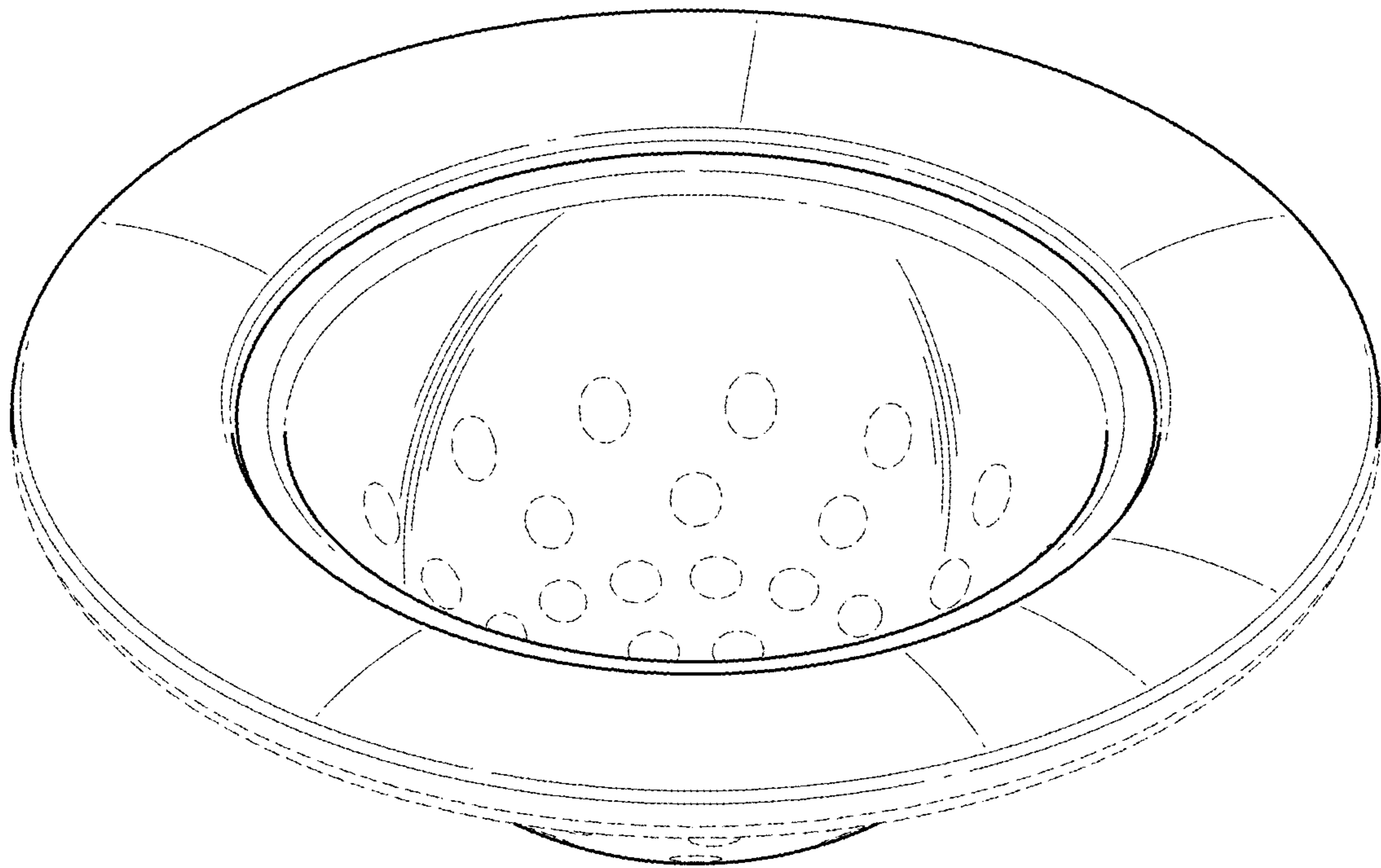
D584,111 S \* 1/2009 Eide ..... D7/667  
D599,444 S \* 9/2009 Jones ..... D23/261  
D613,829 S \* 4/2010 Griffin ..... D23/260  
8,117,685 B2 2/2012 Escobar et al.  
8,171,574 B2 5/2012 Escobar et al.  
D662,573 S \* 6/2012 Rogalski ..... D23/261  
D672,438 S \* 12/2012 Noel ..... D23/261  
D673,246 S \* 12/2012 Lee ..... D23/260  
D694,852 S \* 12/2013 Gordon ..... D23/209  
D734,103 S \* 7/2015 Kin ..... D7/667  
D743,509 S \* 11/2015 Traub ..... D23/261  
D761,942 S \* 7/2016 Santos ..... D23/261  
D777,887 S \* 1/2017 Johansen ..... D23/261  
D783,782 S \* 4/2017 Scott ..... D23/261

D790,674 S \* 6/2017 Santos ..... D23/261  
D803,992 S \* 11/2017 Huber ..... E03F 5/06  
D818,088 S \* 5/2018 Goodman ..... D23/261  
D836,756 S \* 12/2018 Myers, II ..... E03C 1/26  
D847,587 S \* 5/2019 Kuan ..... D7/667  
D855,160 S \* 7/2019 Najimi ..... D23/261  
D855,782 S \* 8/2019 Karnegie ..... D23/261  
D858,695 S \* 9/2019 Chen ..... D23/209  
D890,889 S \* 7/2020 Liu ..... D23/261  
2008/0083059 A1 \* 4/2008 Escobar ..... E03C 1/262  
4/290

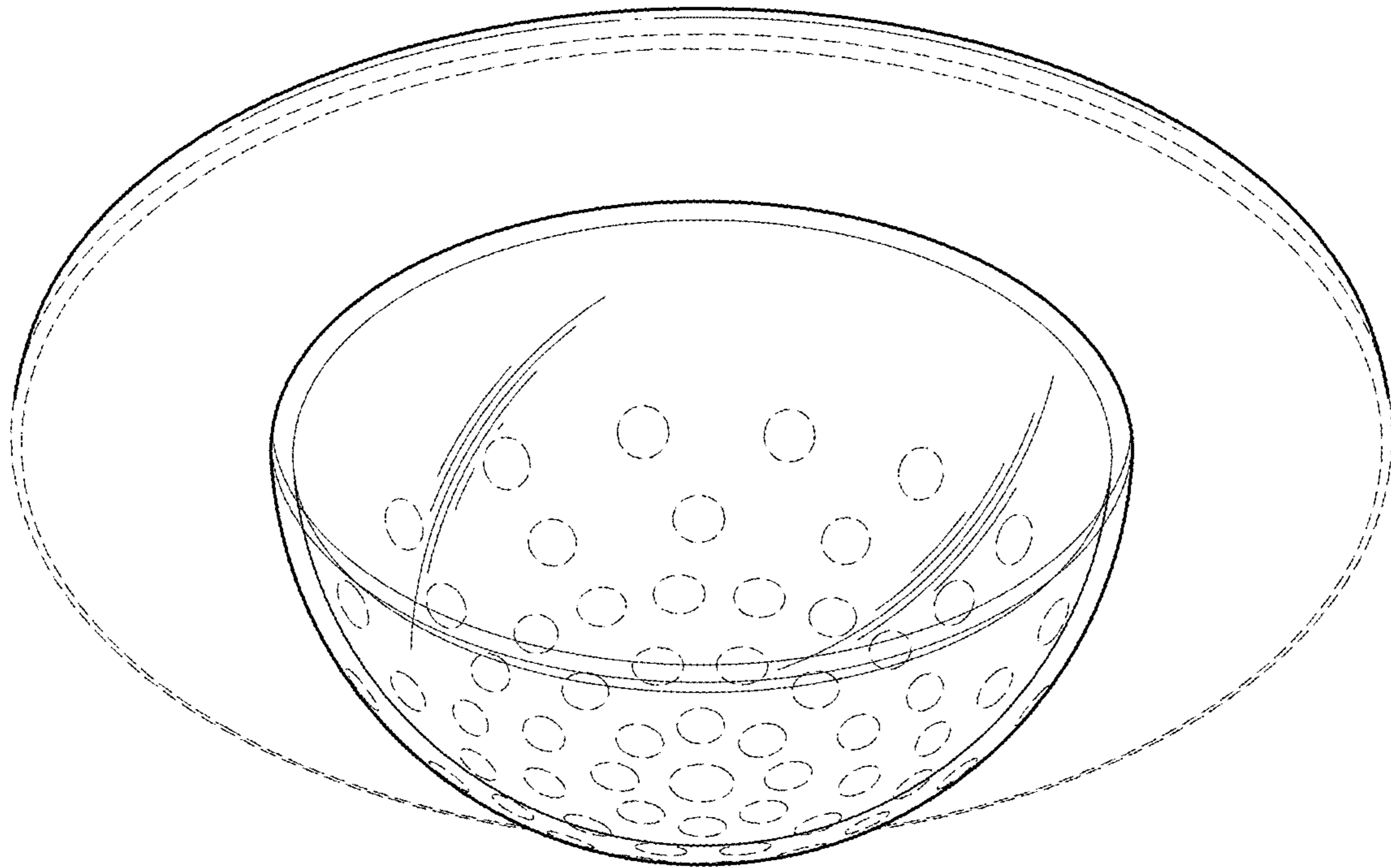
OTHER PUBLICATIONS

Amazon.com, IDesign BPA-Free Flexible Silicone Sink Strainer, Jan. 27, 2021, <https://www.amazon.com/InterDesign-Kitchen-Strainer-Protector-Clogging/dp/B07H83HJ9V/>(Year: 2021).\*  
Amazon.com, InterDesign Forma Sink Strainer, Polished Stainless Steel, Oct. 12, 2012, <https://www.amazon.com/InterDesign-Forma-Strainer-Polished-Stainless/dp/B007QMBQJO/>(Year: 2012).\*

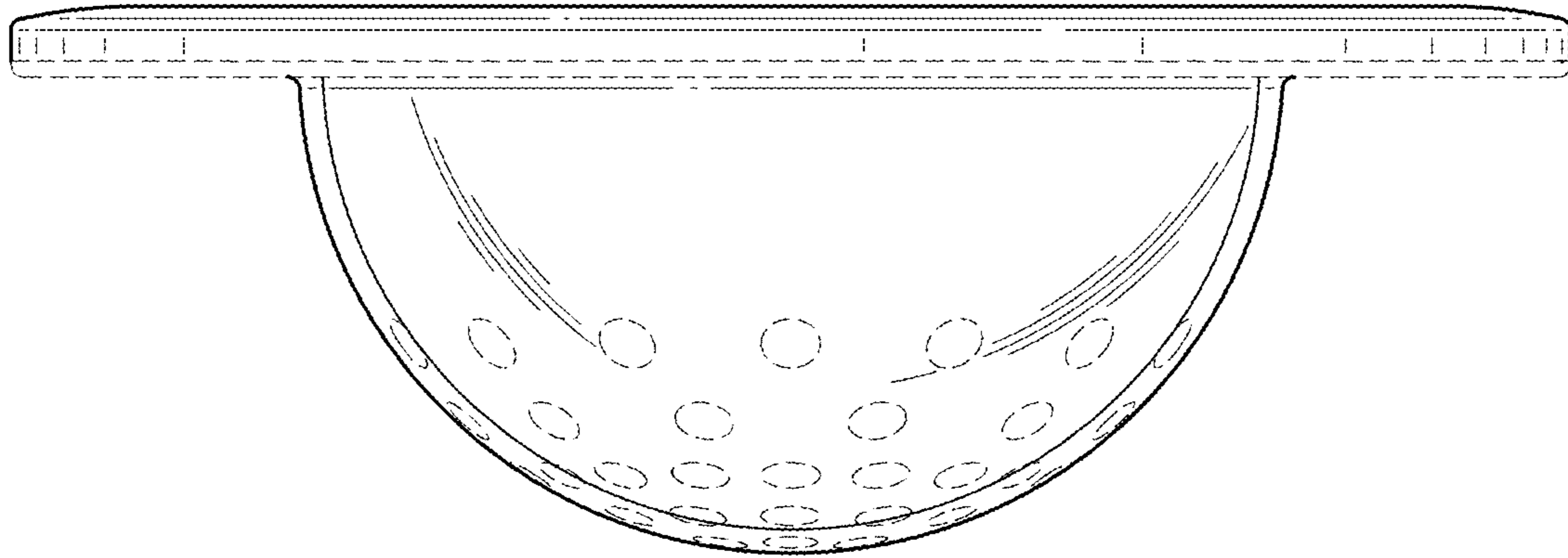
\* cited by examiner



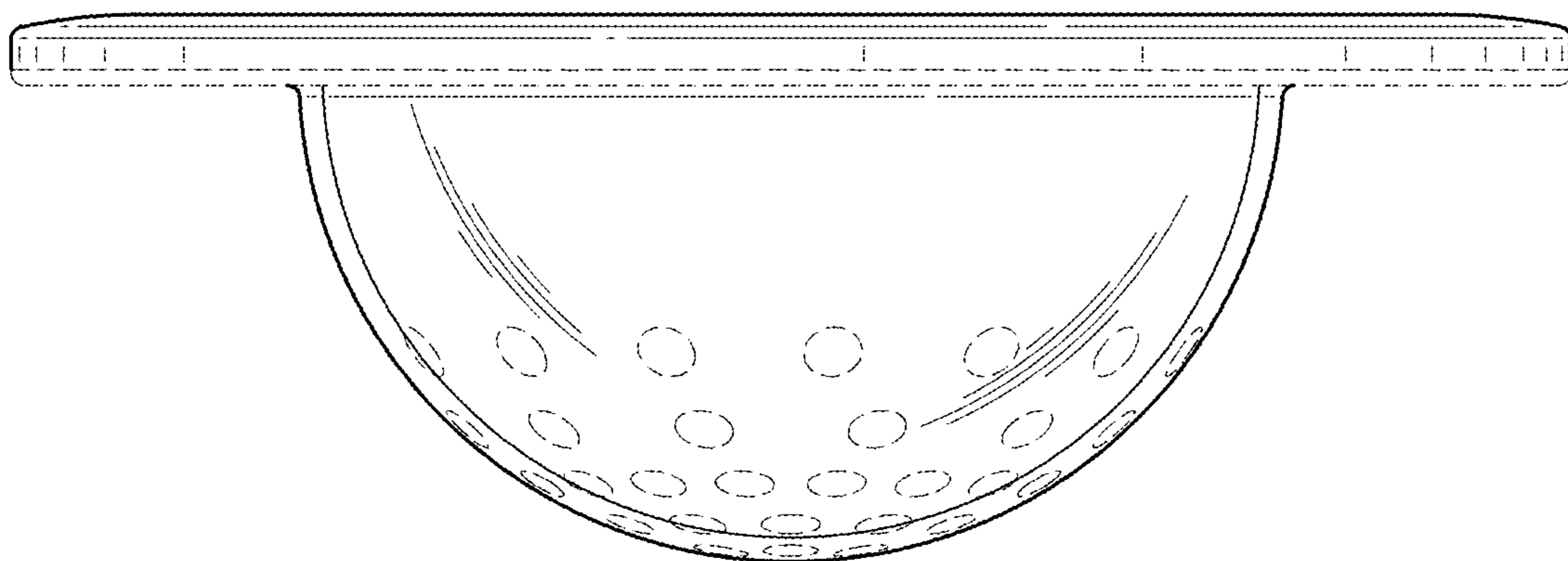
**FIG. 1**



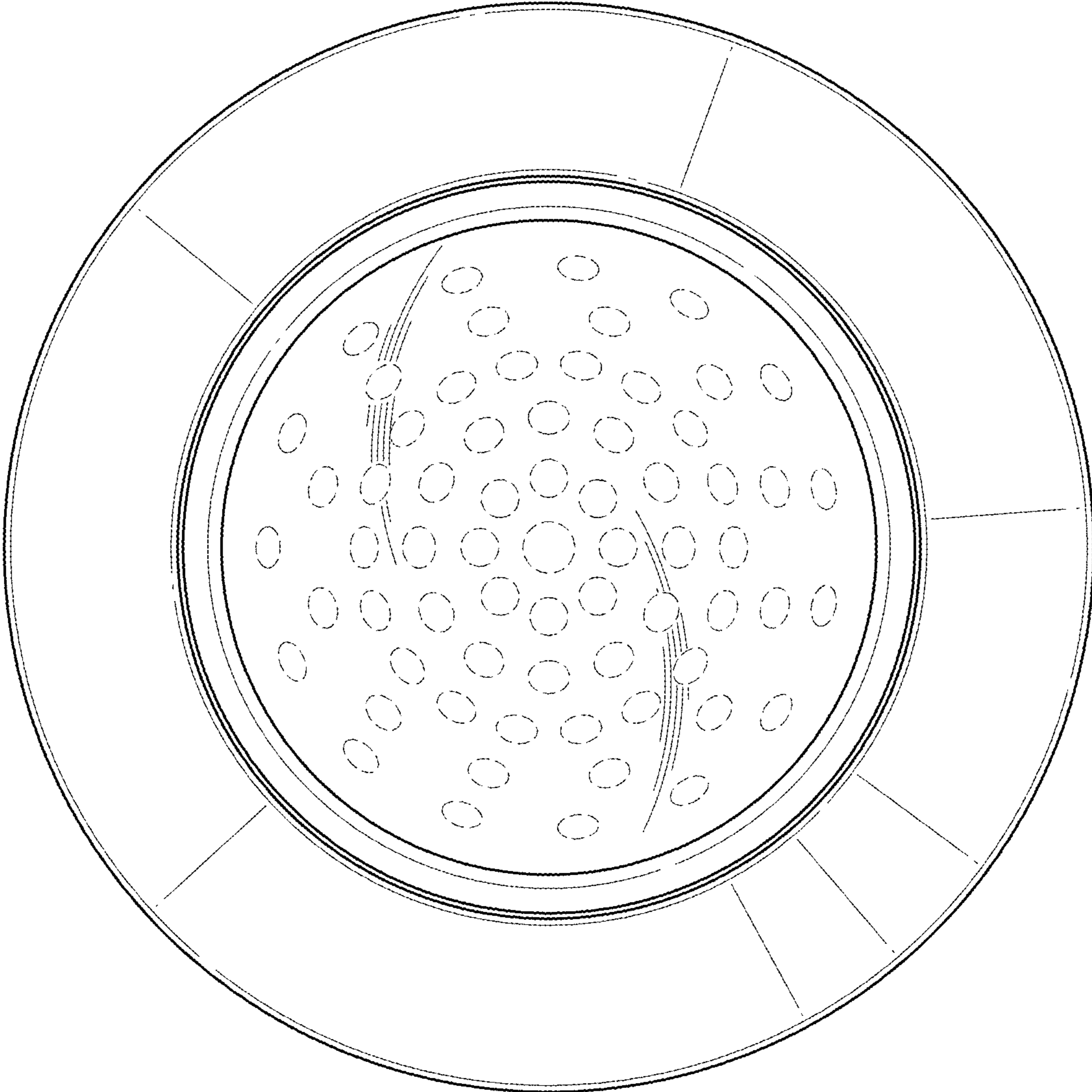
**FIG. 2**



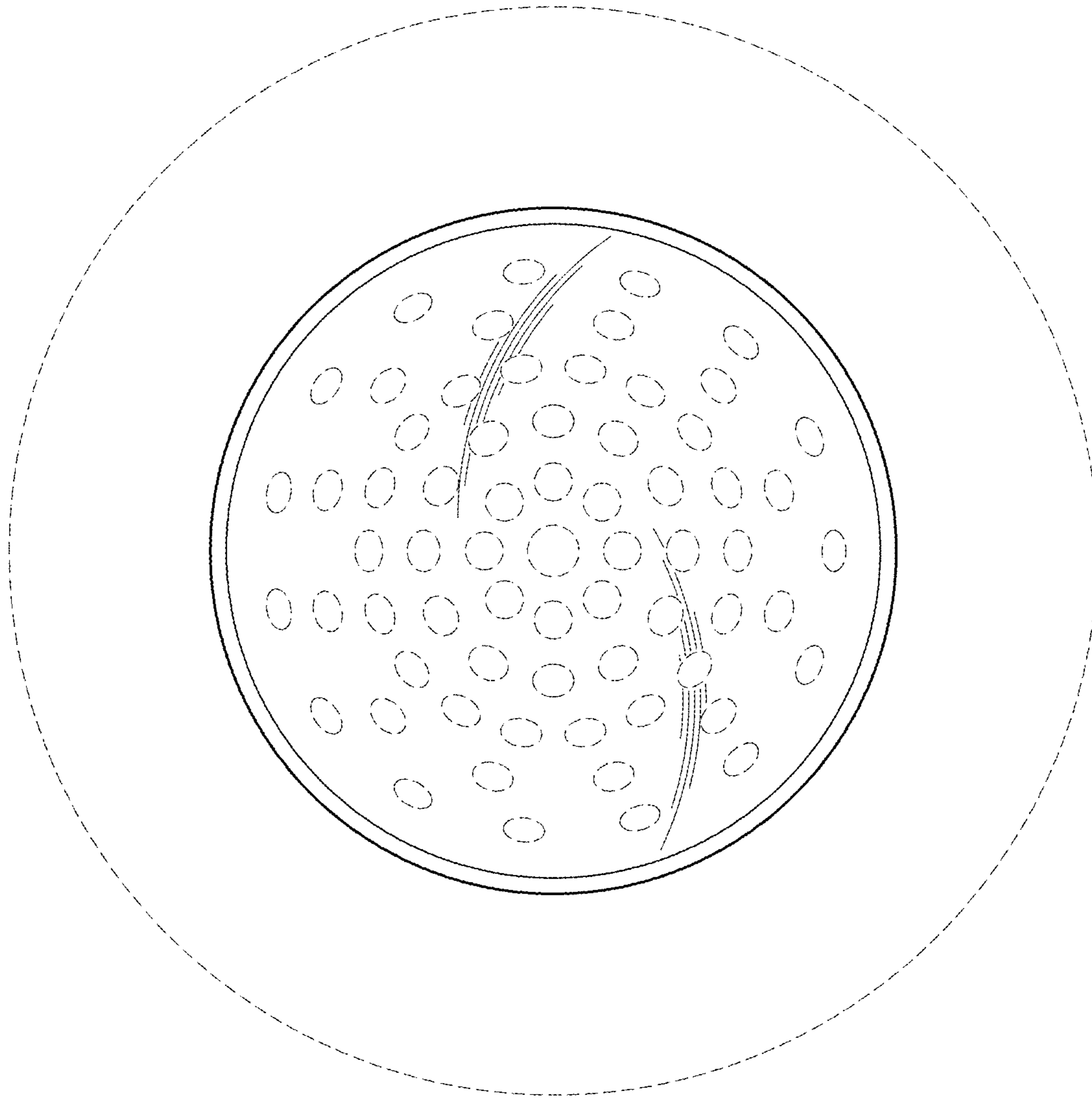
**FIG. 3**



**FIG. 4**



**FIG. 5**



**FIG. 6**