



US00D941437S

(12) **United States Design Patent** (10) **Patent No.:** **US D941,437 S**
Johnson (45) **Date of Patent:** **** Jan. 18, 2022**

- (54) **FAUCET**
- (71) Applicant: **Kohler Co.**, Kohler, WI (US)
- (72) Inventor: **Drew Johnson**, Sheboygan, WI (US)
- (73) Assignee: **KOHLER CO.**, Kohler, WI (US)
- (**) Term: **15 Years**
- (21) Appl. No.: **29/766,240**
- (22) Filed: **Jan. 14, 2021**

- D795,396 S 8/2017 Kaule et al.
- D795,397 S 8/2017 Clarke
- D797,257 S 9/2017 Potter
- D797,902 S 9/2017 Georgeson
- D812,195 S 3/2018 Clarke
- D812,196 S 3/2018 Clarke
- D820,399 S 6/2018 Garland
- D848,578 S 5/2019 Garland
- D852,325 S 6/2019 Eads
- D855,158 S 7/2019 Eads
- D857,166 S 8/2019 Spangler
- D861,832 S 10/2019 Zeng
- D867,526 S 11/2019 Garland
- D867,527 S 11/2019 Eads
- D895,068 S 9/2020 Johnson

Related U.S. Application Data

- (62) Division of application No. 29/733,394, filed on May 1, 2020, now Pat. No. Des. 908,842, which is a division of application No. 29/674,097, filed on Dec. 19, 2018, now Pat. No. Des. 895,066.
- (51) **LOC (13) Cl.** **23-01**
- (52) **U.S. Cl.**
USPC **D23/255**
- (58) **Field of Classification Search**
USPC D23/238-243, 255-257
CPC Y10T 137/9464; Y10T 137/6014; Y10T 137/6017
See application file for complete search history.

References Cited

U.S. PATENT DOCUMENTS

- D573,696 S 7/2008 Eilmus
- D577,421 S 9/2008 Williams
- D585,112 S 1/2009 Kohler et al.
- D713,939 S 9/2014 Mazz et al.
- D721,791 S 1/2015 Bahler
- D754,301 S 4/2016 Bahler

Primary Examiner — Robert A Delehanty

(74) *Attorney, Agent, or Firm* — Foley & Lardner LLP

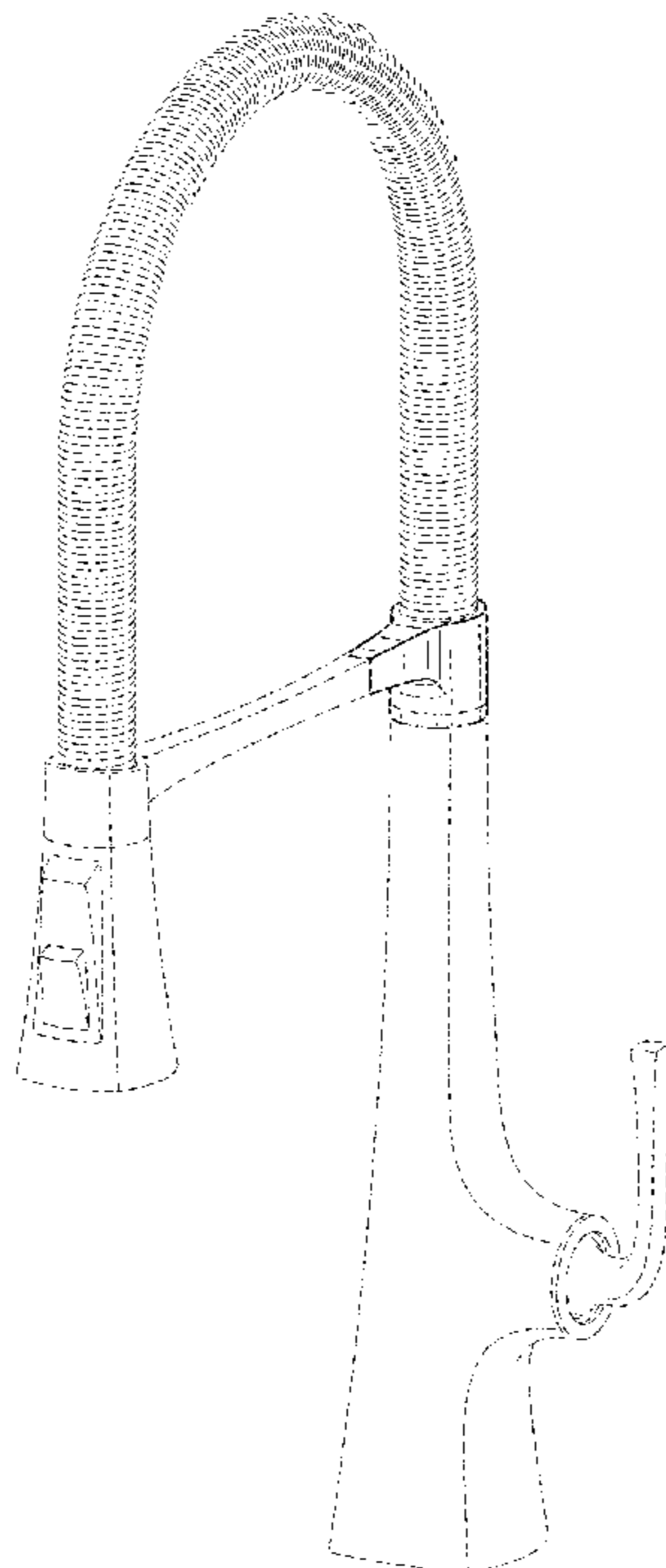
(57) **CLAIM**

I claim the ornamental design for a faucet, as shown and described.

DESCRIPTION

FIG. 1 is a perspective view of an embodiment of the claimed design;
 FIG. 2 is a side view of the embodiment of FIG. 1;
 FIG. 3 is another side view of the embodiment of FIG. 1;
 FIG. 4 is a front view of the embodiment of FIG. 1;
 FIG. 5 is a rear view of the embodiment of FIG. 1;
 FIG. 6 is a top view of the embodiment of FIG. 1; and,
 FIG. 7 is a bottom view of the embodiment of FIG. 1.
 The ornamental design which is claimed is shown in solid lines in the drawings. The broken lines in the drawings are for illustrative purposes only and form no part of the claimed design. Broken lines formed of unequal length dashes (i.e., dash-dot) define bounds of the claimed design.

1 Claim, 5 Drawing Sheets



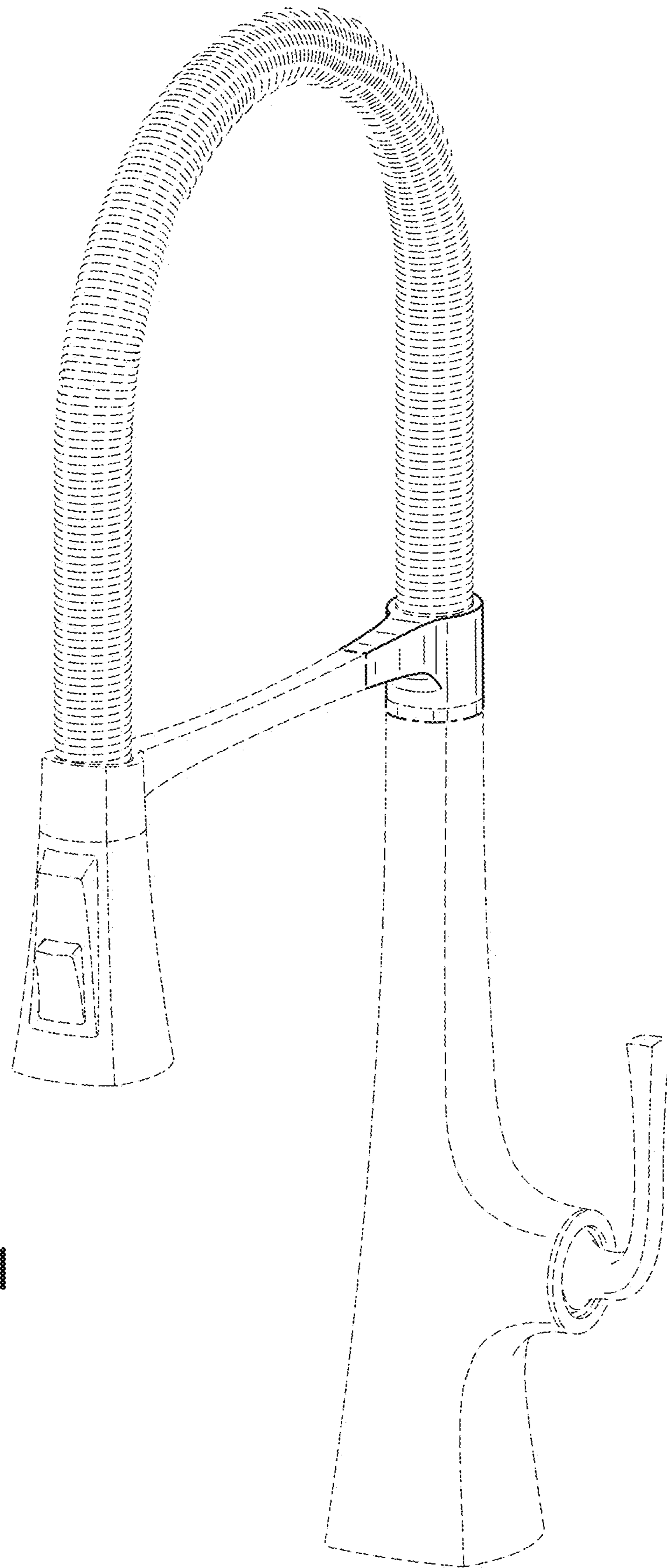


FIG. 1

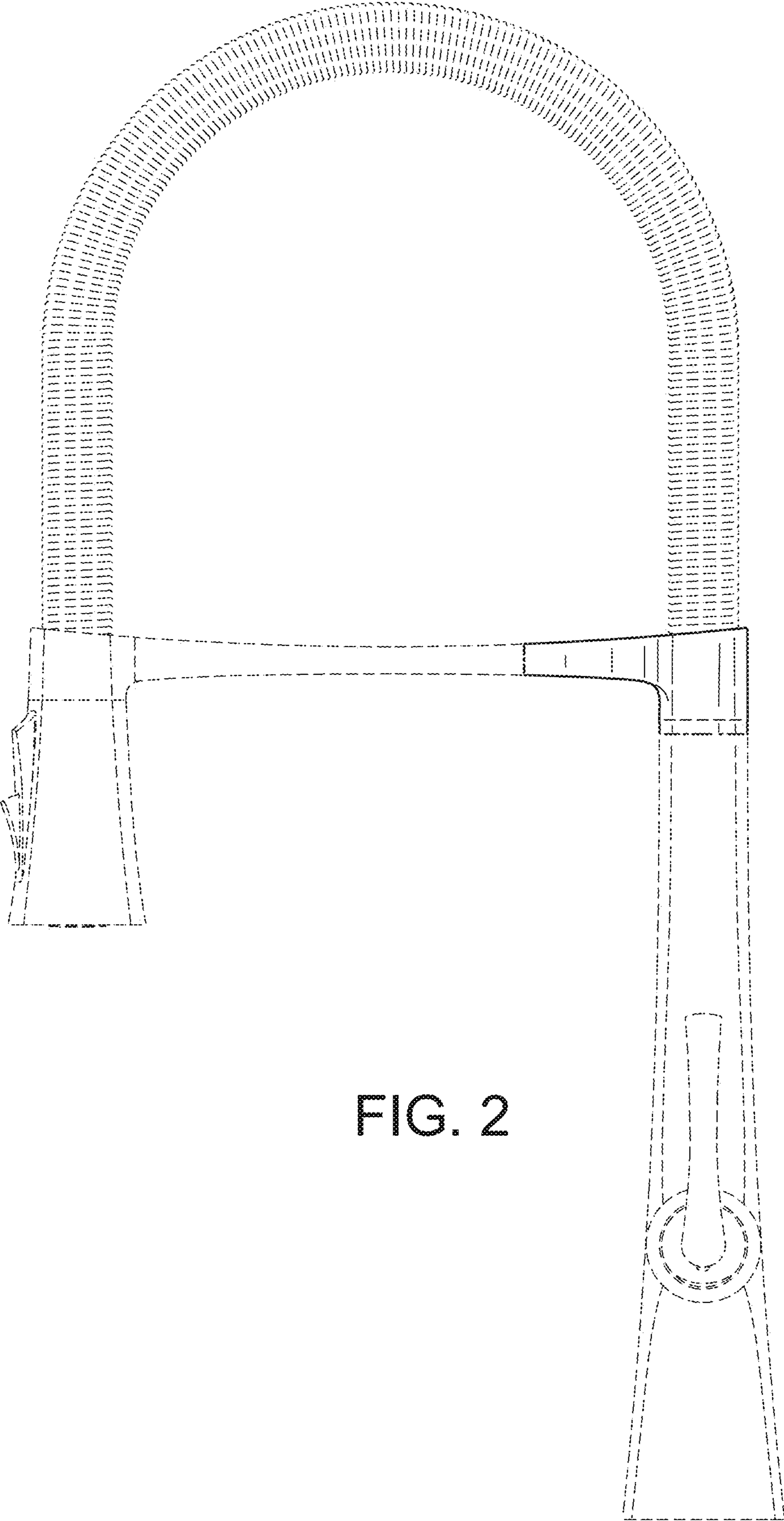


FIG. 2

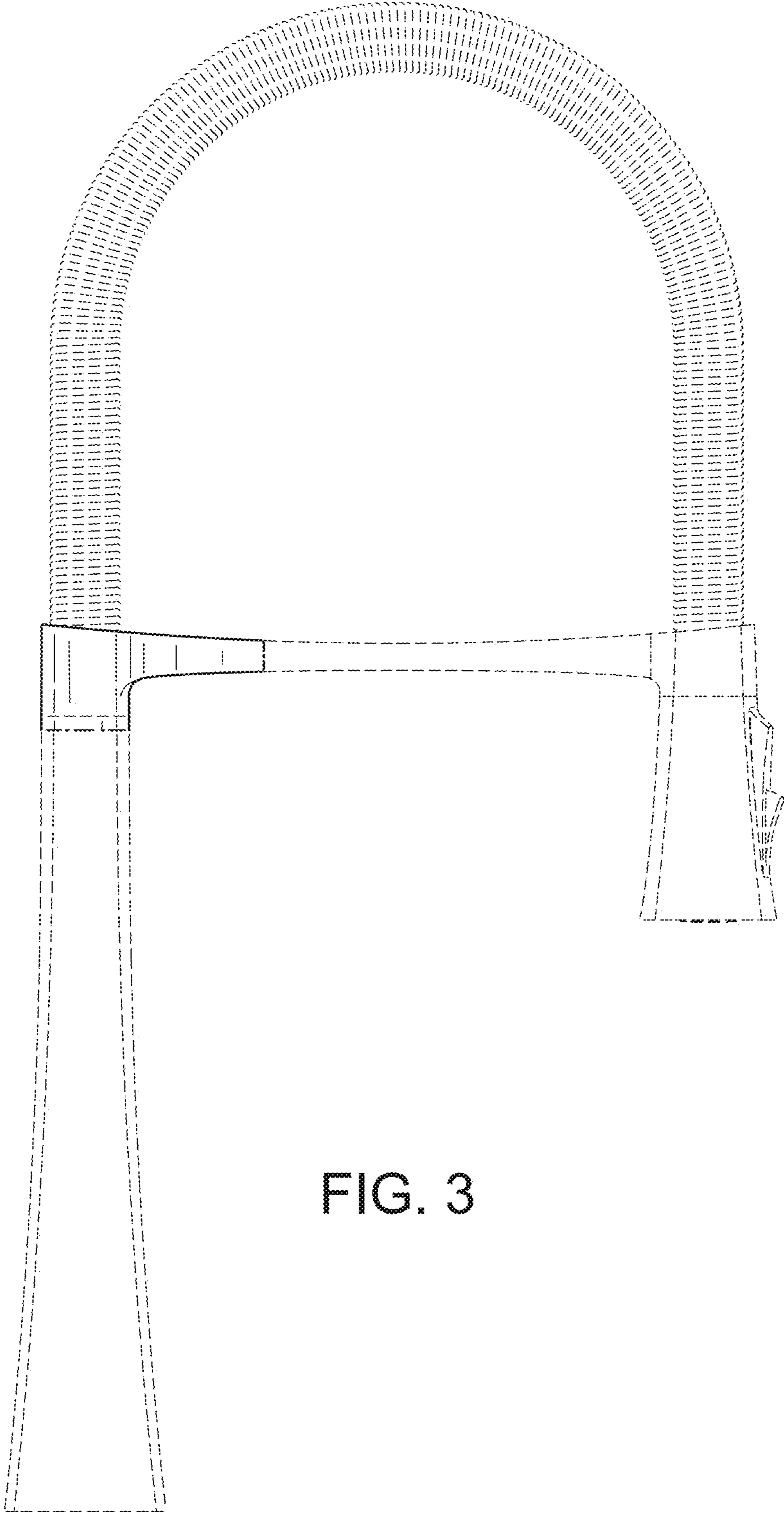


FIG. 3

FIG. 4

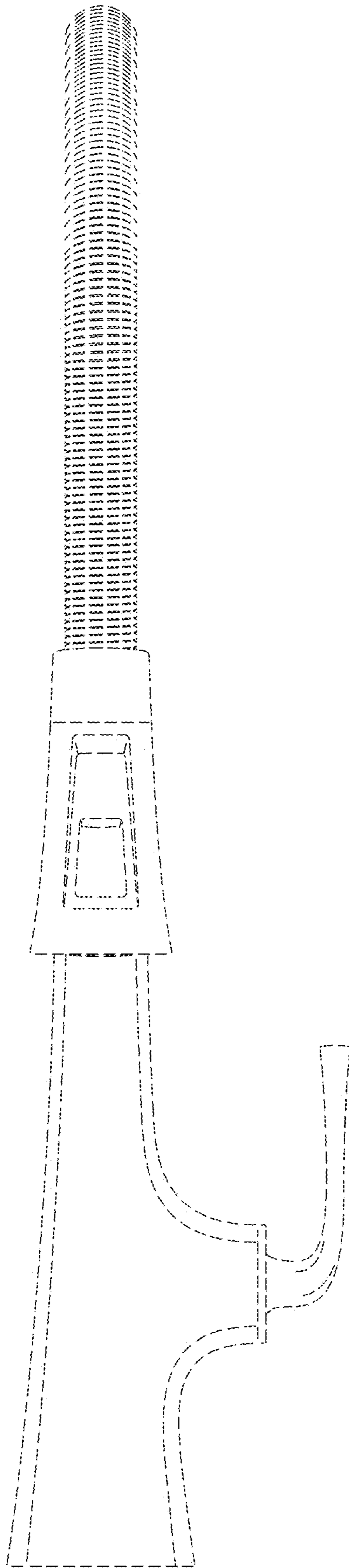
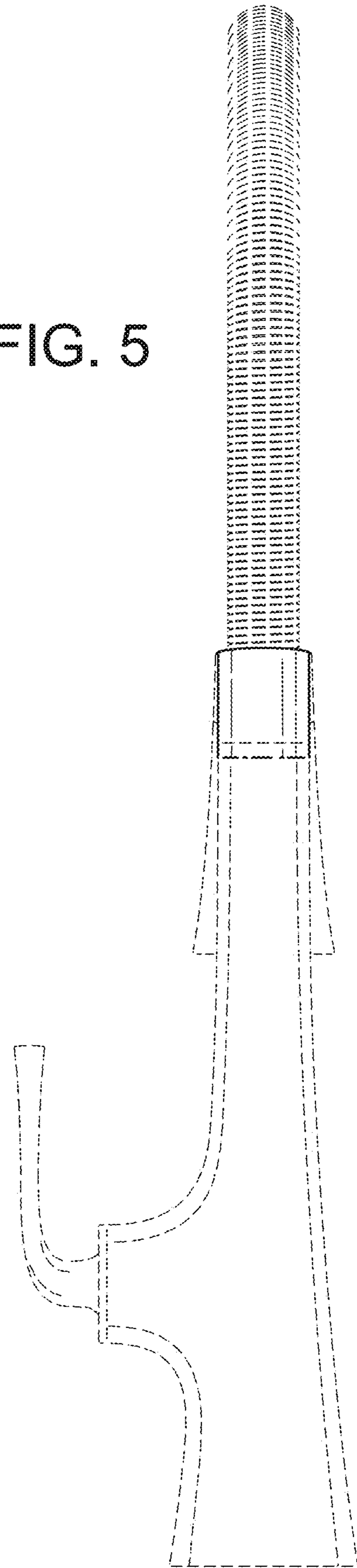


FIG. 5



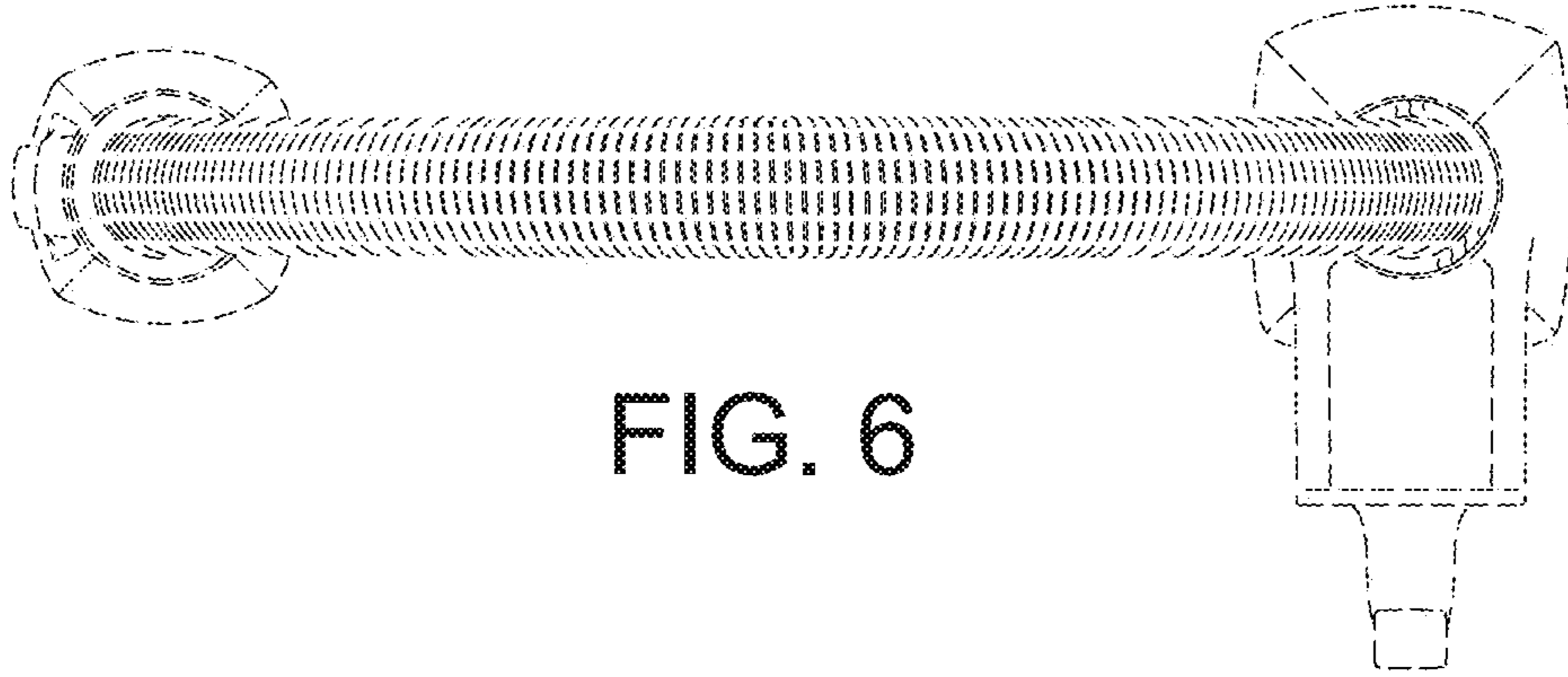


FIG. 6

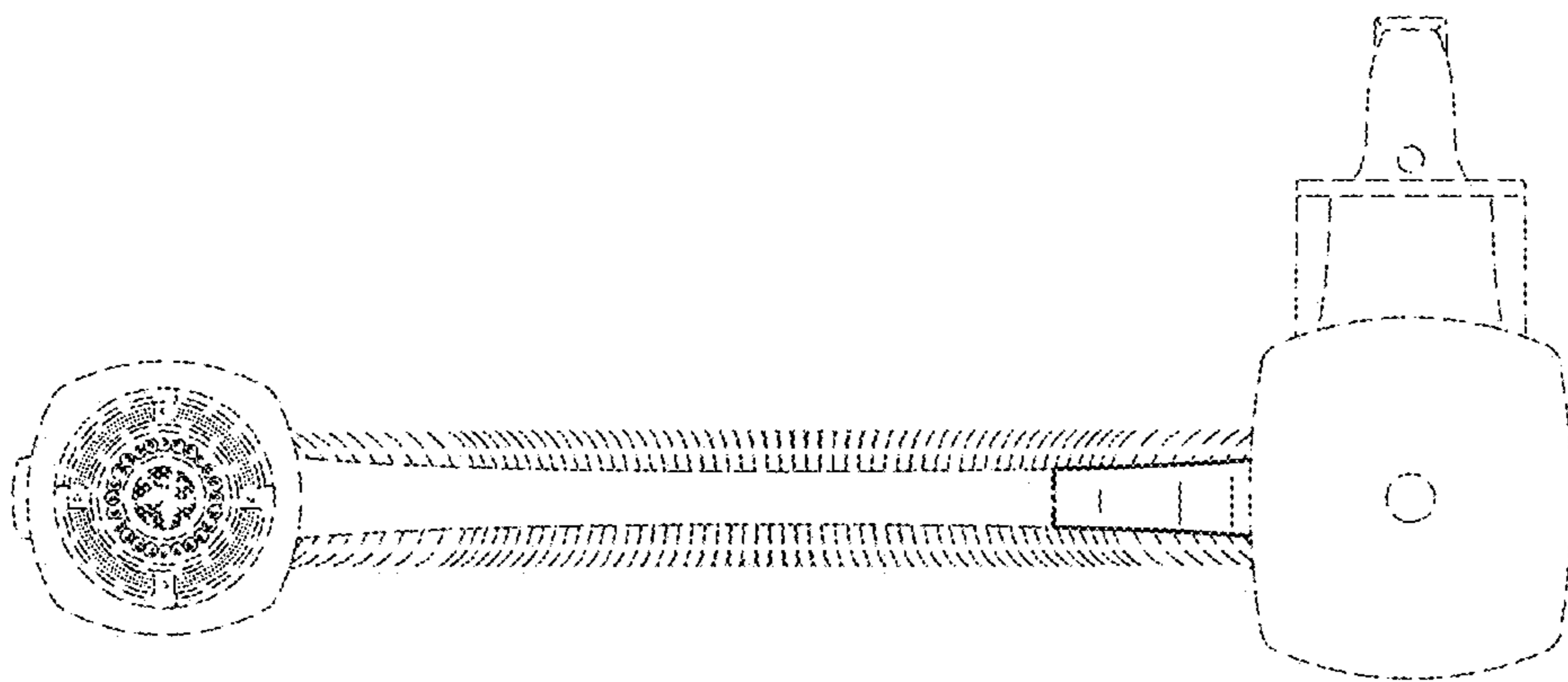


FIG. 7