



US00D941435S

(12) **United States Design Patent**
Stoler

(10) **Patent No.:** **US D941,435 S**

(45) **Date of Patent:** **** Jan. 18, 2022**

(54) **FAUCET HANDLE**

D874,616 S * 2/2020 Judge D23/252
D875,892 S * 2/2020 Tentler D23/252
D931,418 S * 9/2021 Para D23/238

(71) Applicant: **DELTA FAUCET COMPANY,**
Indianapolis, IN (US)

* cited by examiner

(72) Inventor: **Benjamin Stoler,** Carmel, IN (US)

Primary Examiner — Robert A Delehanty

(73) Assignee: **DELTA FAUCET COMPANY,**
Indianapolis, IN (US)

(74) *Attorney, Agent, or Firm* — Nirav D. Parikh; Edgar
A. Zarins

(**) Term: **15 Years**

(57) **CLAIM**

(21) Appl. No.: **29/746,411**

The ornamental design for a faucet handle, as shown and
described.

(22) Filed: **Aug. 13, 2020**

(51) **LOC (13) Cl.** **23-01**

(52) **U.S. Cl.**
USPC **D23/252**

(58) **Field of Classification Search**
USPC D23/238–243, 249–250, 252, 254;
D8/307–308

See application file for complete search history.

DESCRIPTION

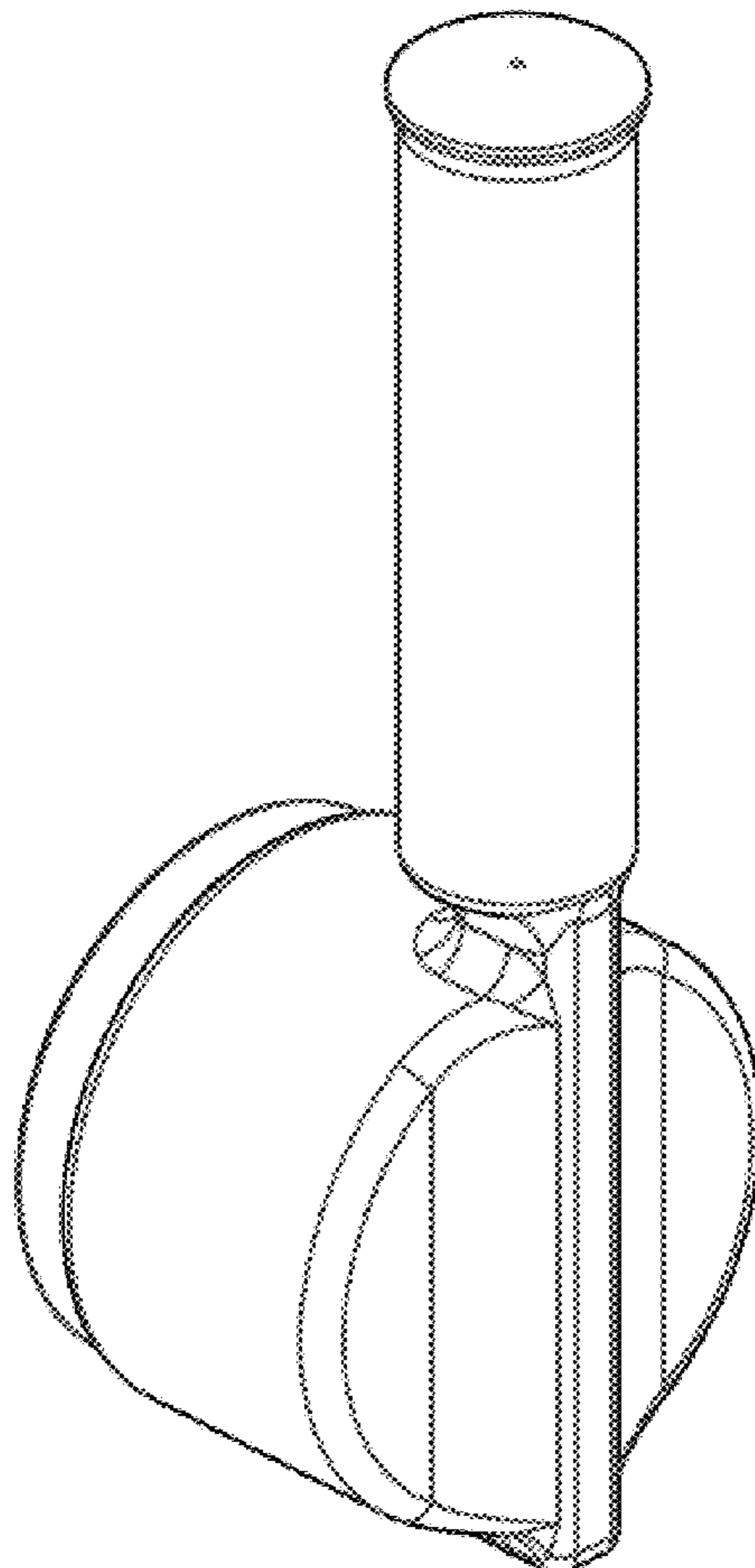
FIG. 1 is a front perspective view of a faucet handle showing
my new design;
FIG. 2 is a rear perspective view thereof;
FIG. 3 is a front elevational view thereof;
FIG. 4 is a left side view thereof;
FIG. 5 is a rear view thereof;
FIG. 6 is a right side view thereof;
FIG. 7 is a top plan view thereof; and,
FIG. 8 is a bottom view thereof.

(56) **References Cited**

U.S. PATENT DOCUMENTS

D580,523 S * 11/2008 Hanna D23/252
D872,239 S * 1/2020 Eads D23/252

1 Claim, 4 Drawing Sheets



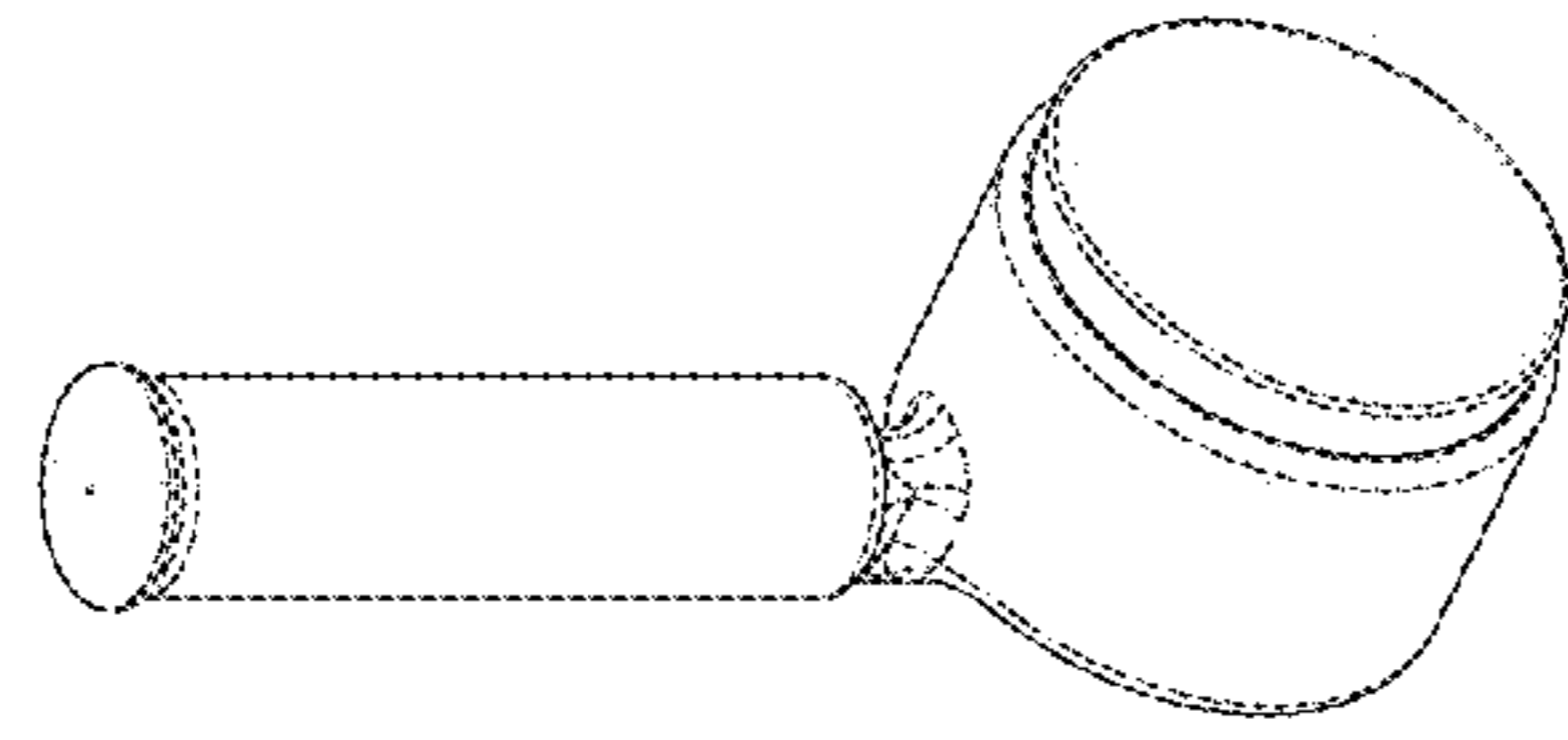


FIG - 2

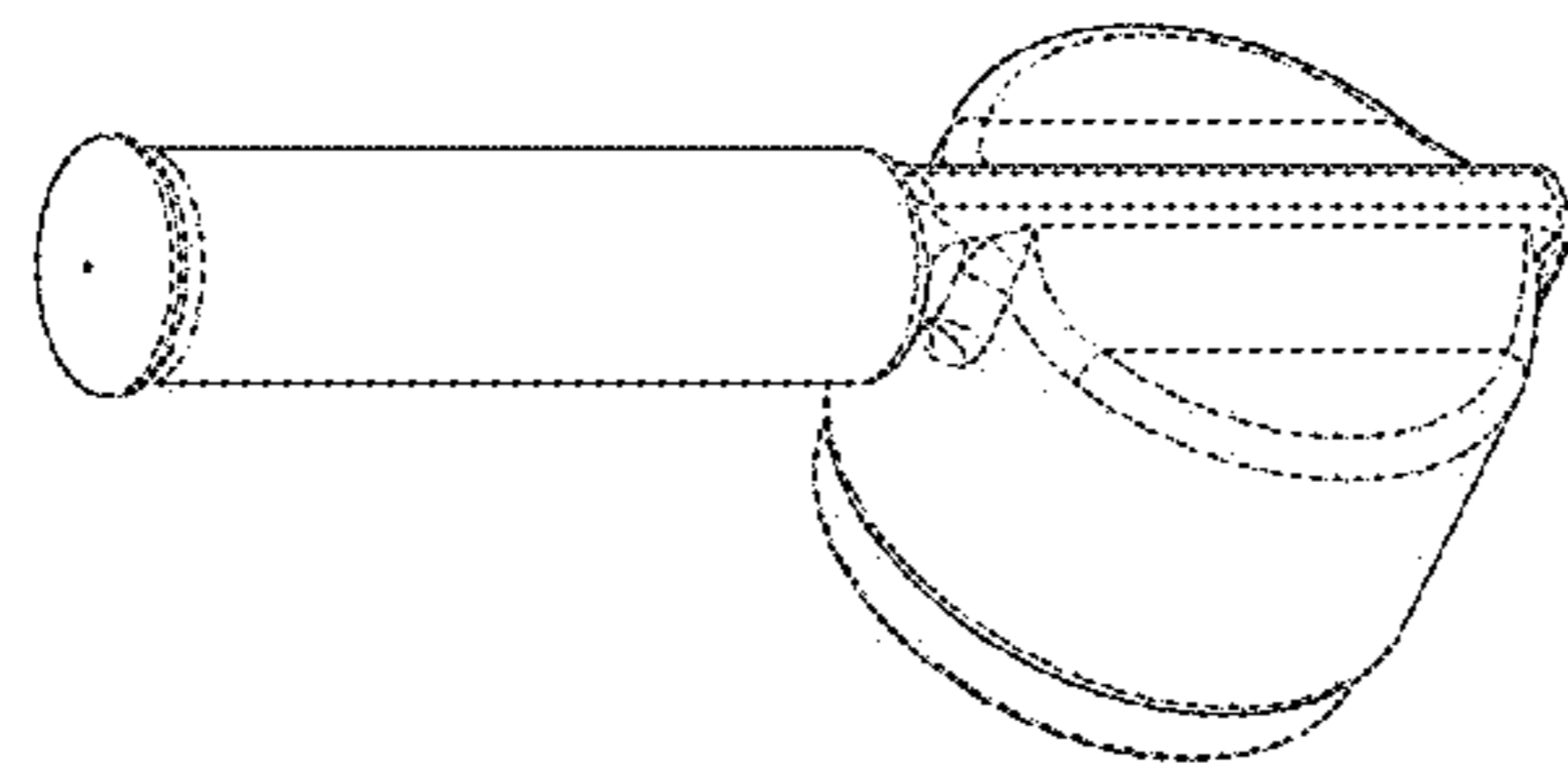


FIG - 1

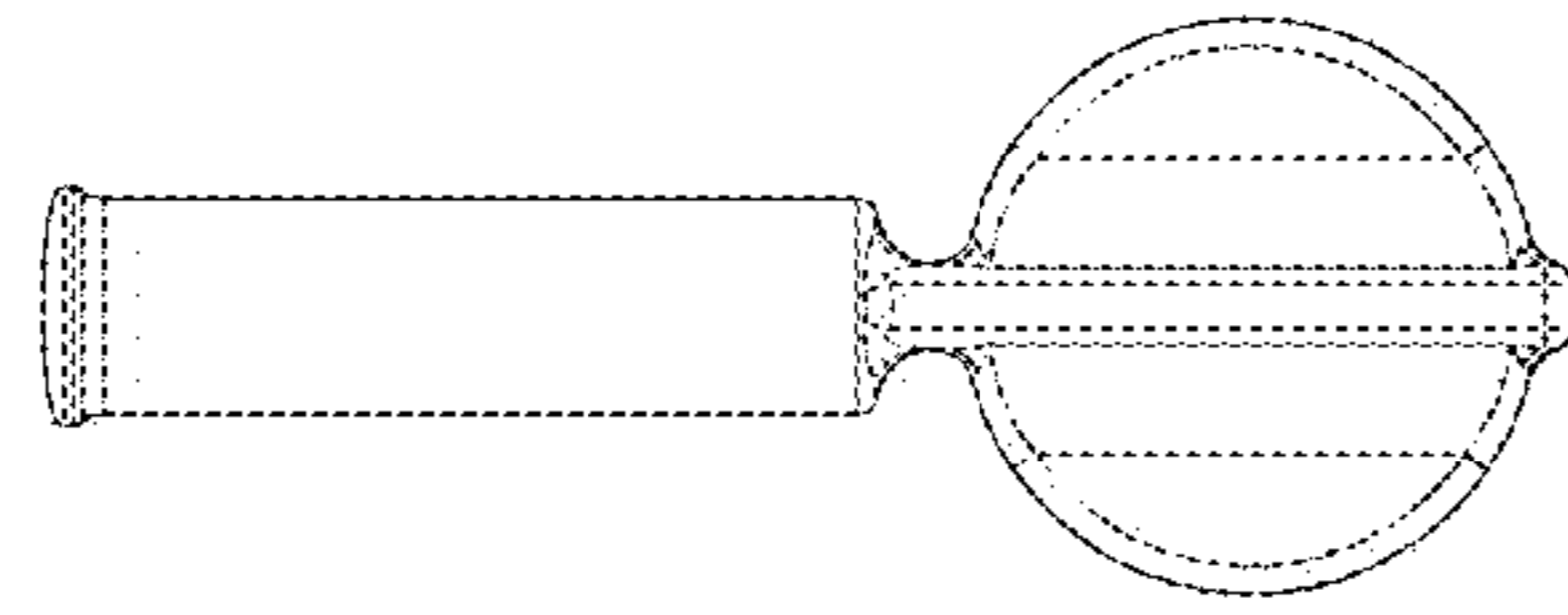


FIG - 4

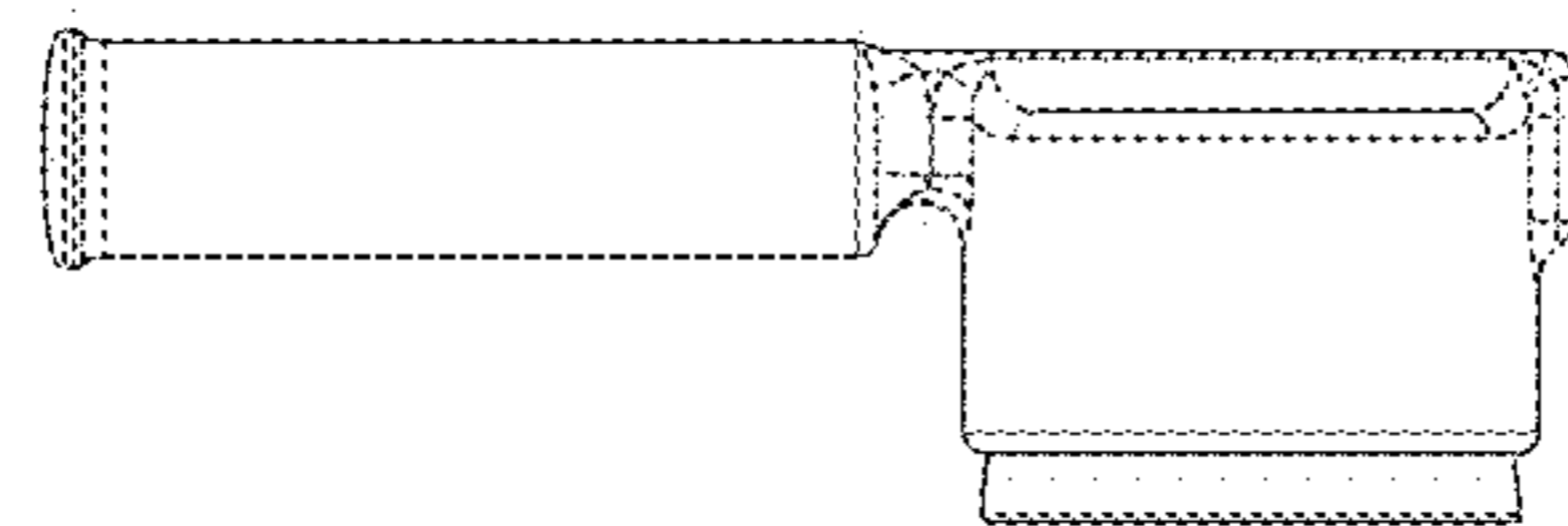


FIG - 3

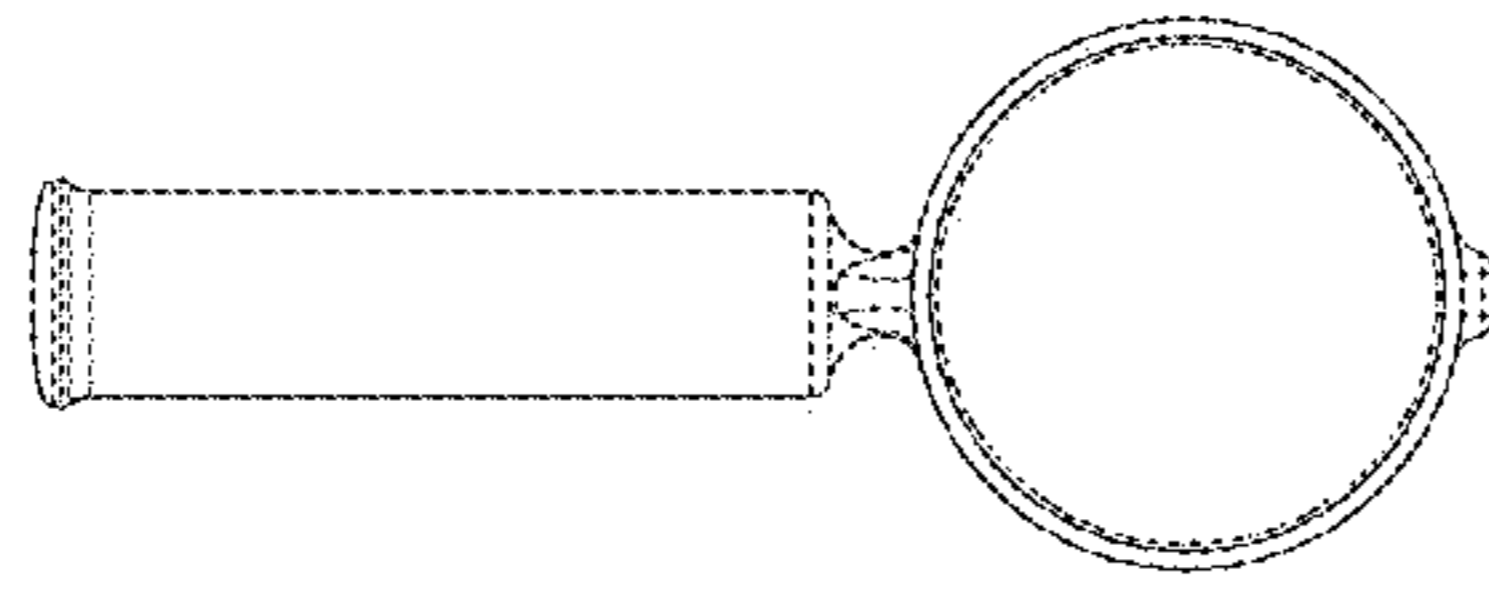


FIG - 6

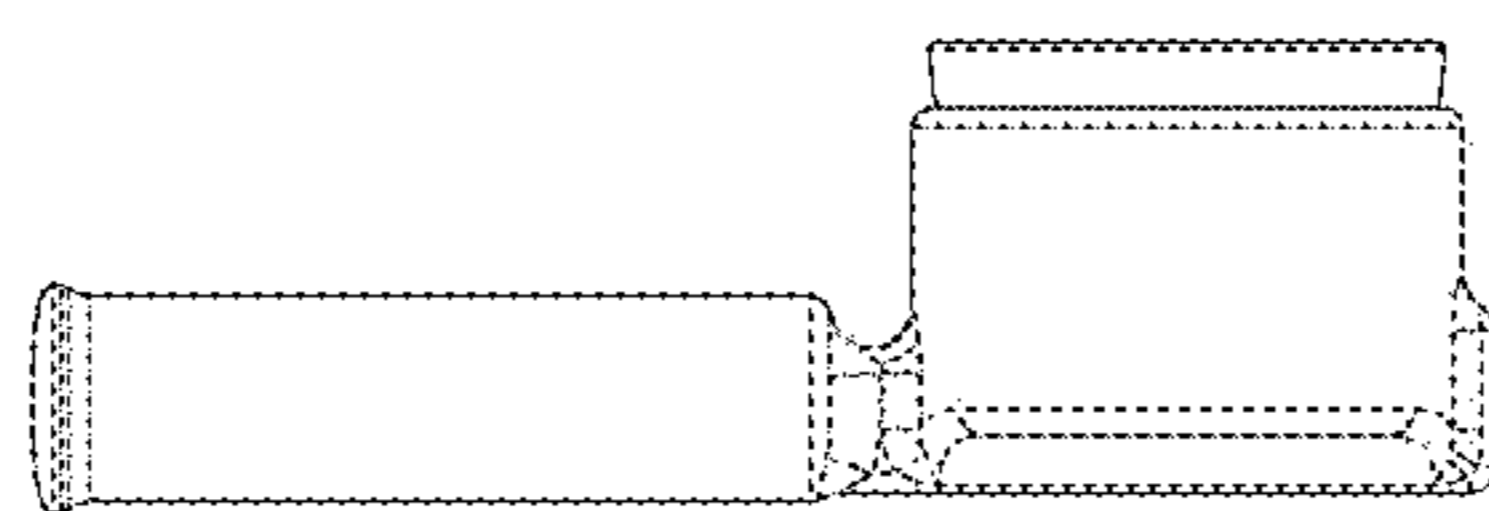


FIG - 5

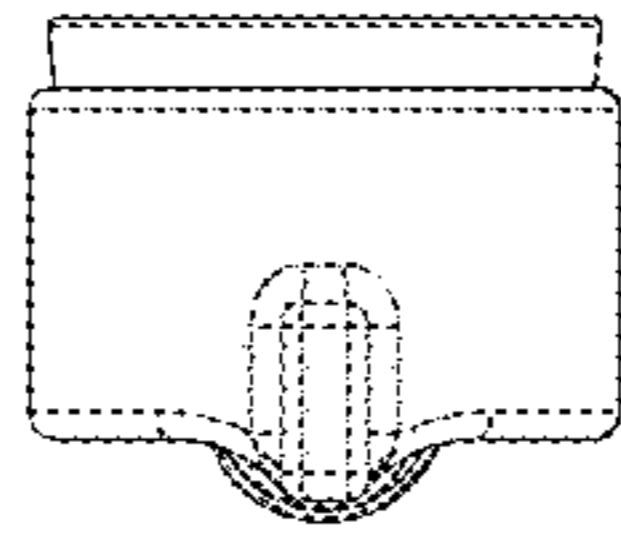


FIG - 8

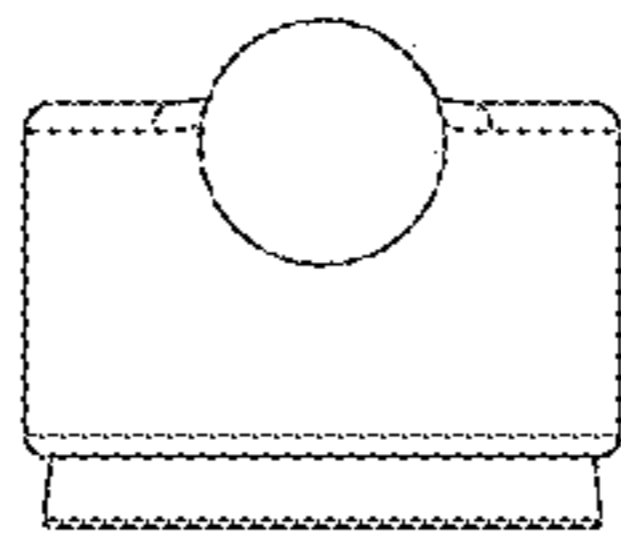


FIG - 7