



US00D941432S

(12) **United States Design Patent**
Elser

(10) **Patent No.:** **US D941,432 S**

(45) **Date of Patent:** **** Jan. 18, 2022**

(54) **FAUCET HANDLE**

D922,536 S * 6/2021 Ao D23/252
D928,290 S * 8/2021 Elser D23/238
D930,118 S * 9/2021 Elser D23/238

(71) Applicant: **DELTA FAUCET COMPANY,**
Indianapolis, IN (US)

* cited by examiner

(72) Inventor: **Simon Elser,** Indianapolis, IN (US)

Primary Examiner — Robert A Delehanty

(73) Assignee: **DELTA FAUCET COMPANY,**
Indianapolis, IN (US)

(74) *Attorney, Agent, or Firm* — Nirav D. Parikh; Edgar
A. Zarins

(**) Term: **15 Years**

(57) **CLAIM**

(21) Appl. No.: **29/723,564**

The ornamental design for a faucet handle, as shown and described.

(22) Filed: **Feb. 7, 2020**

(51) **LOC (13) Cl.** **23-01**

(52) **U.S. Cl.**
USPC **D23/252**

(58) **Field of Classification Search**
USPC D23/238–243, 249–250, 252, 254;
D8/307–308

DESCRIPTION

See application file for complete search history.

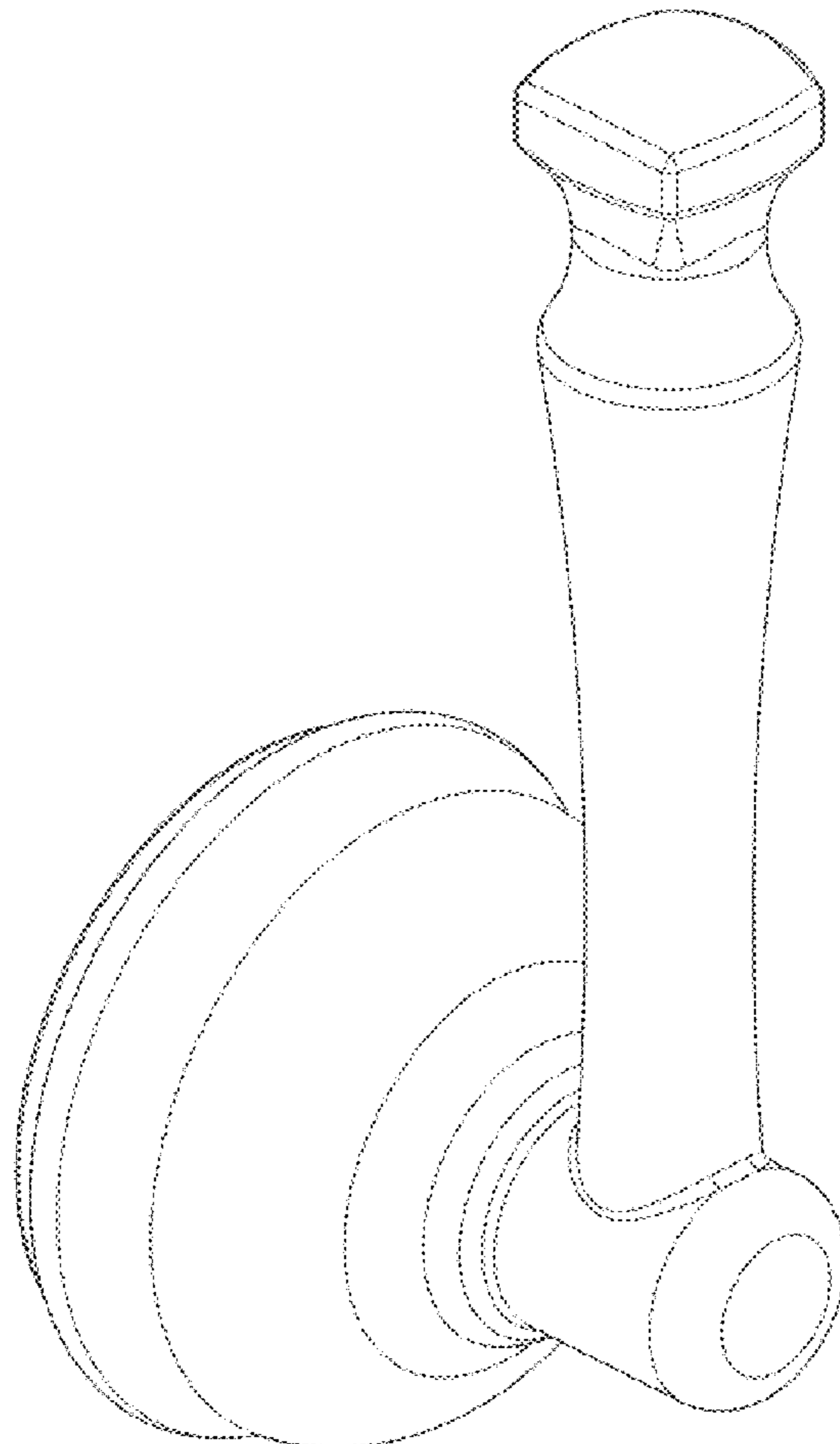
FIG. 1 is a front perspective view of a faucet handle showing my new design;
FIG. 2 is a rear perspective view thereof;
FIG. 3 is a front elevational view thereof;
FIG. 4 is a left side view thereof;
FIG. 5 is a rear view thereof;
FIG. 6 is a right side view thereof;
FIG. 7 is a top plan view thereof; and,
FIG. 8 is a bottom view thereof.

(56) **References Cited**

U.S. PATENT DOCUMENTS

D511,560 S * 11/2005 Kulig D23/238
D872,235 S * 1/2020 Garland D23/238

1 Claim, 4 Drawing Sheets



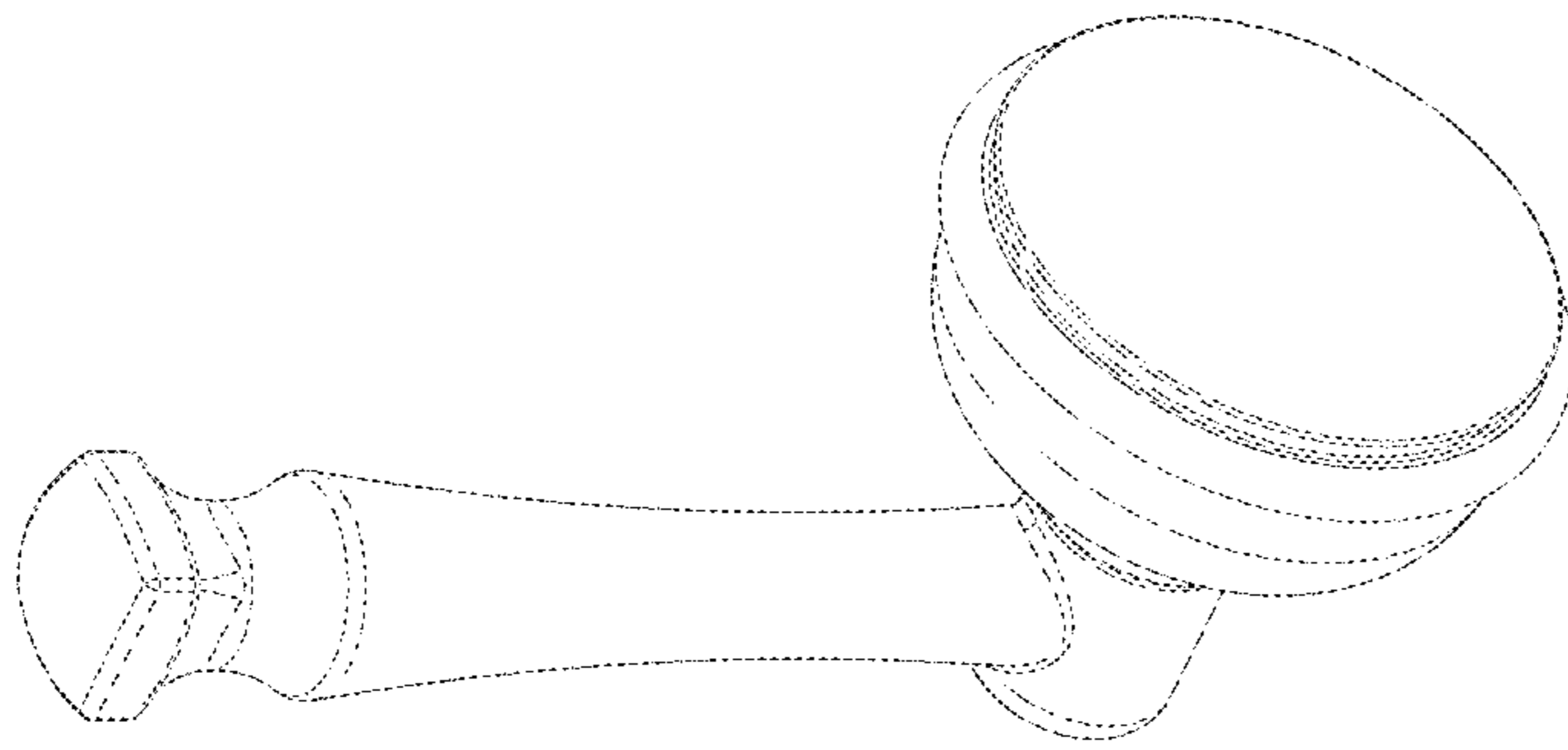


FIG. 2

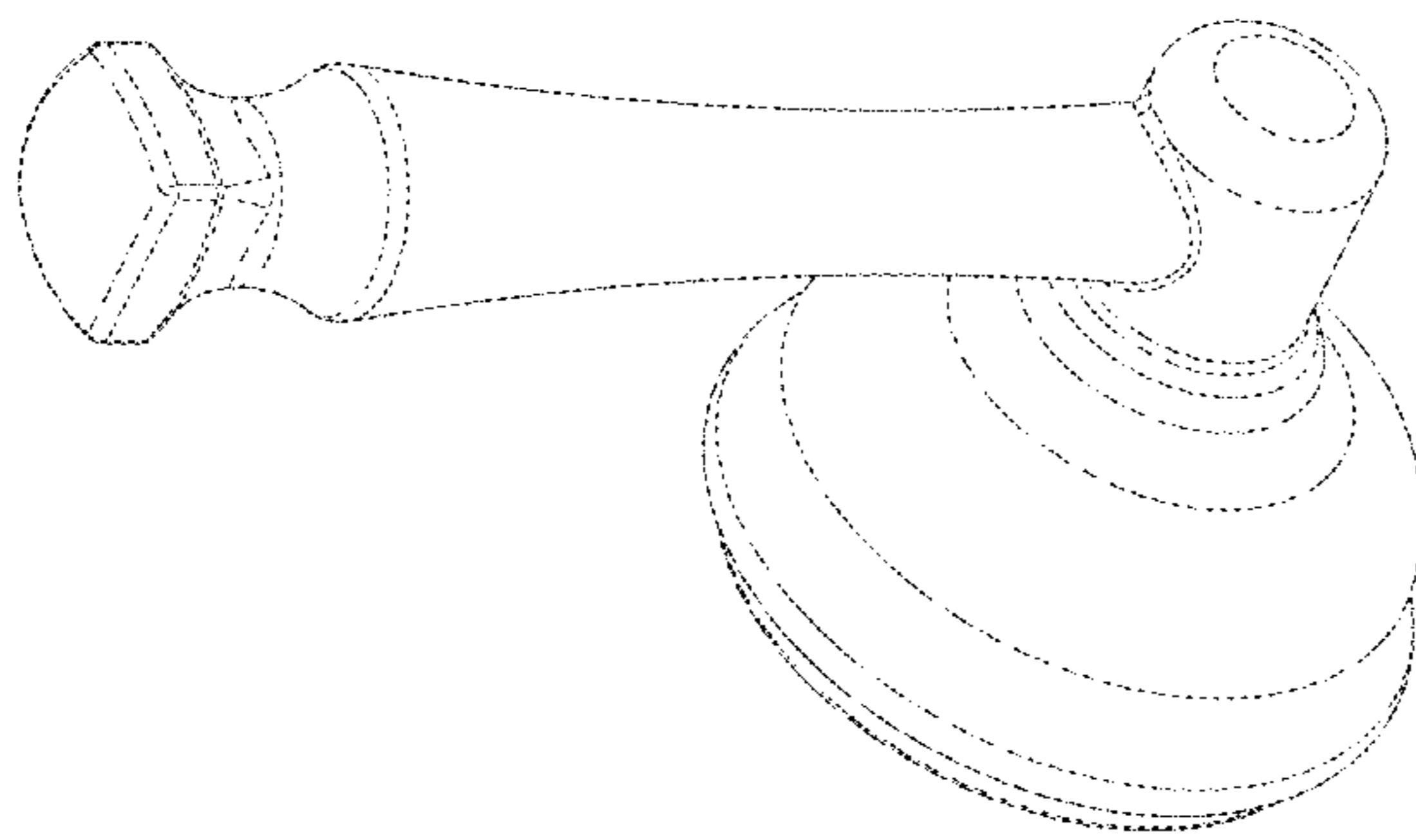


FIG. 1

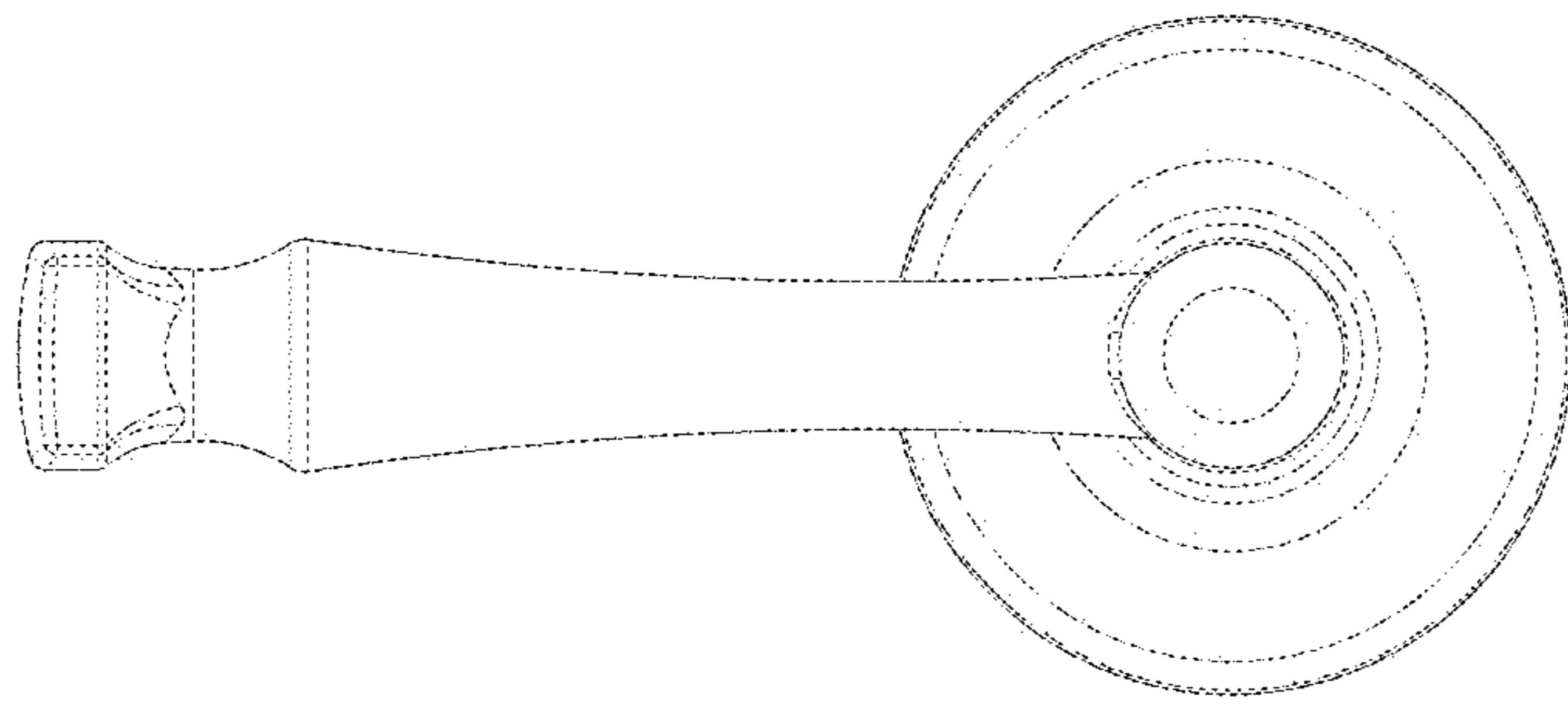


FIG - 4

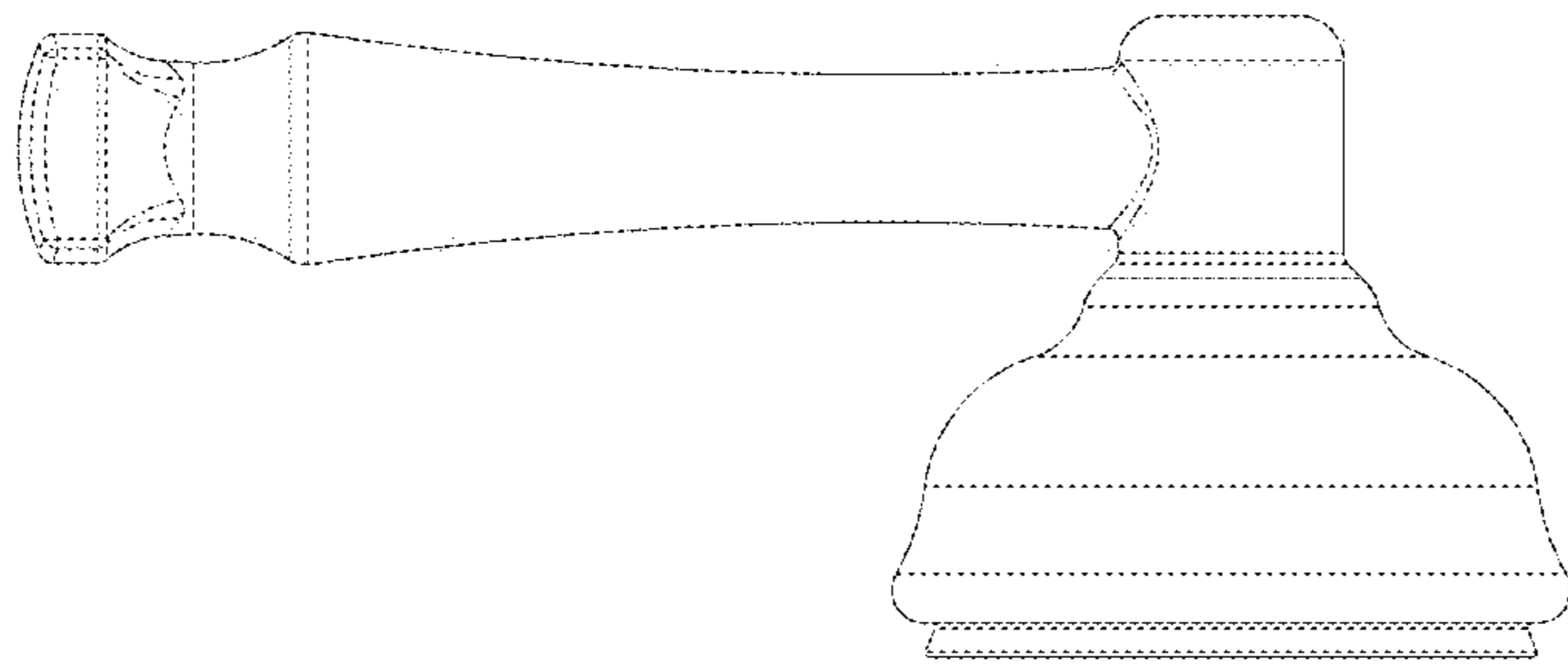


FIG - 3

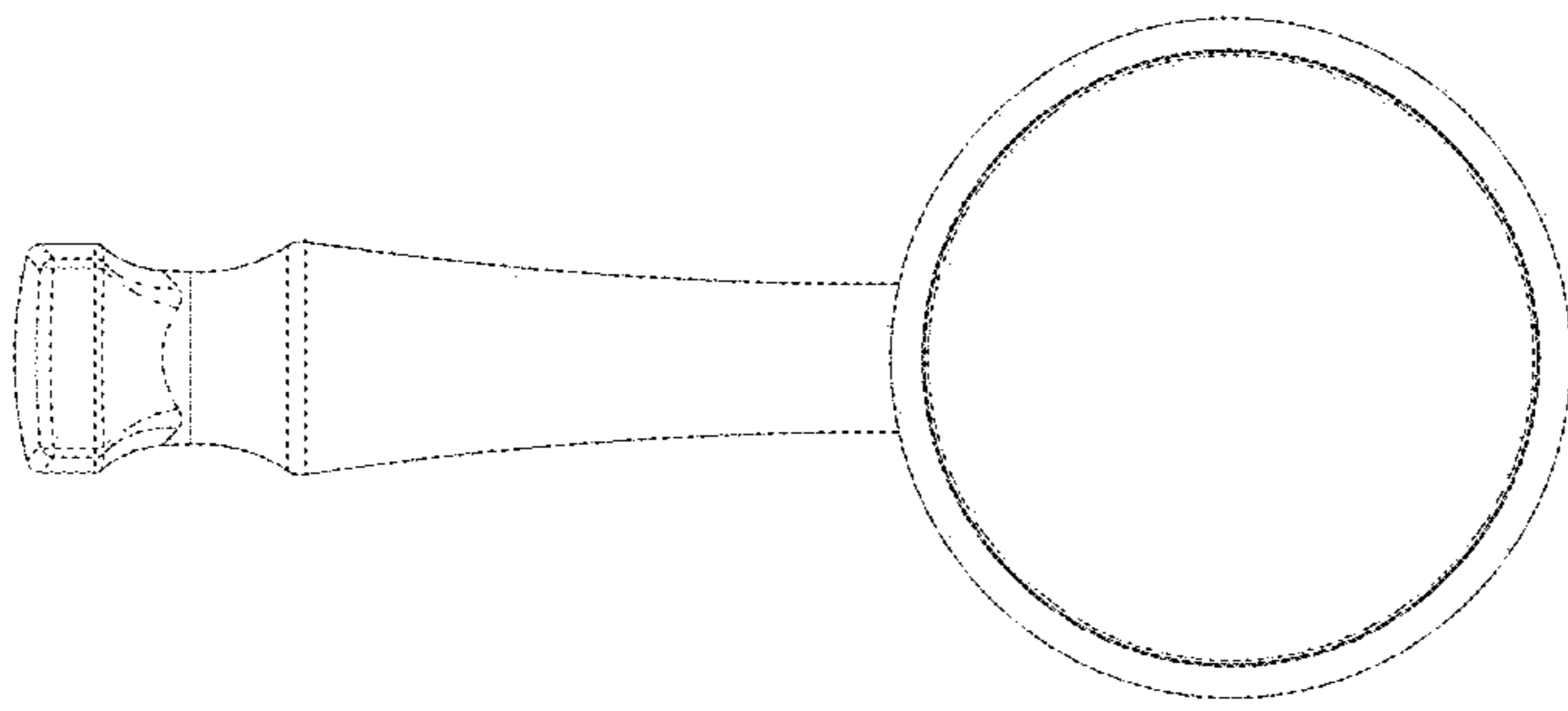


FIG. 6

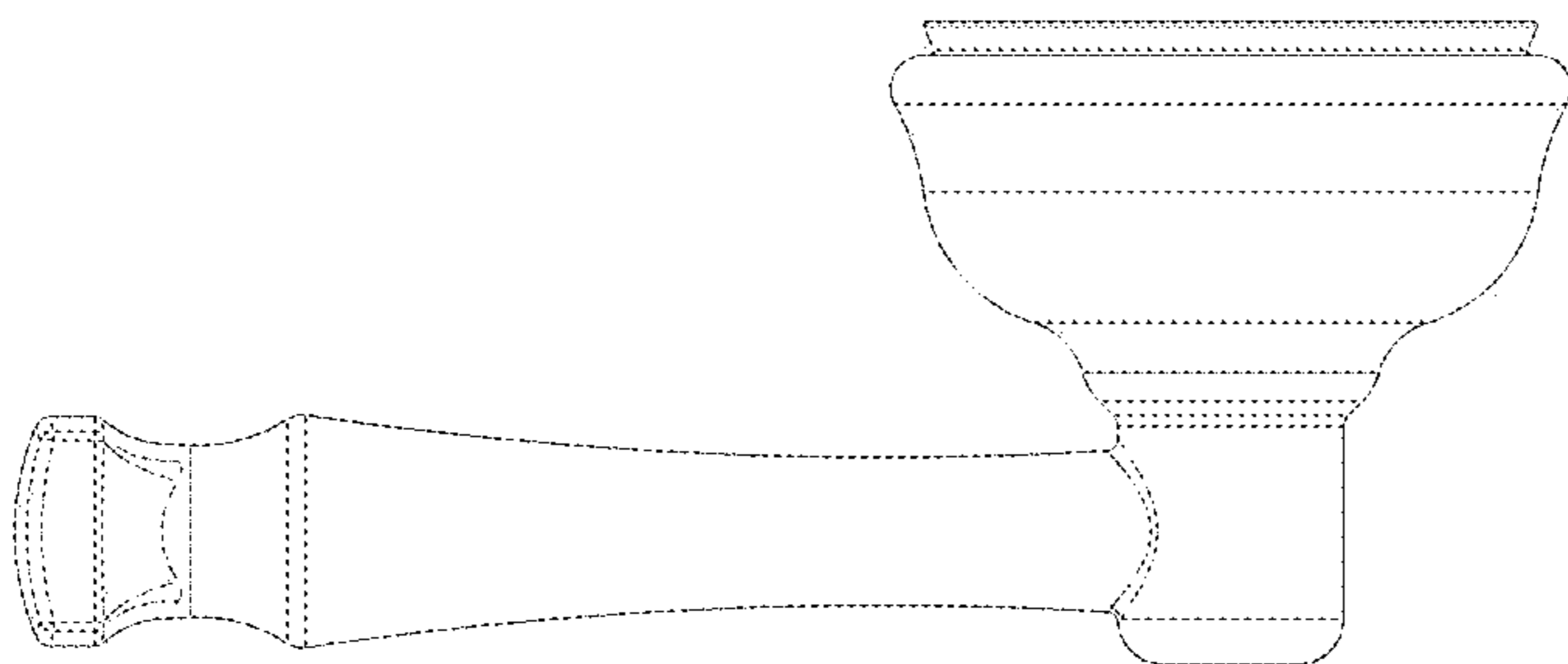


FIG. 5

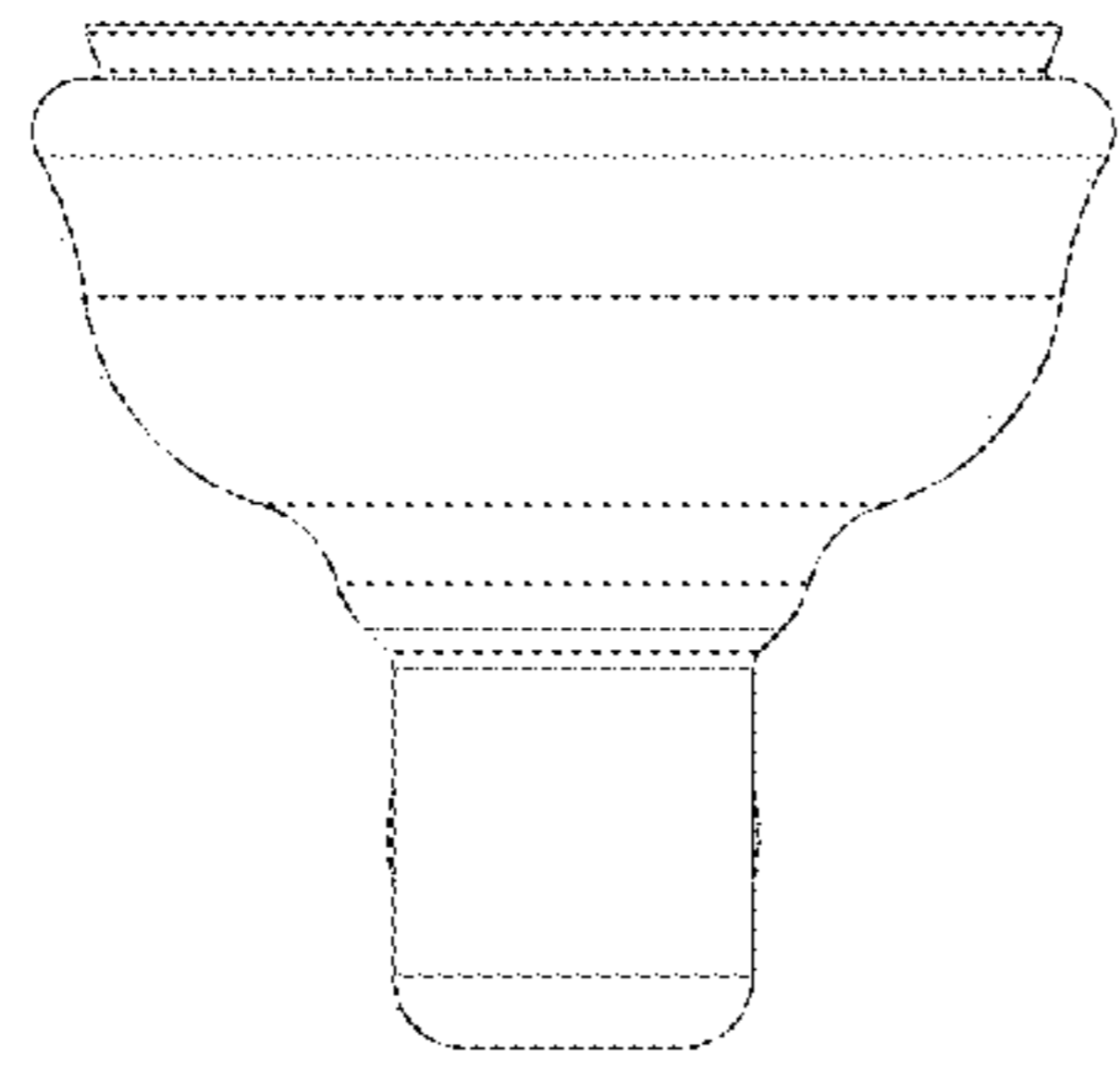


FIG. - 8

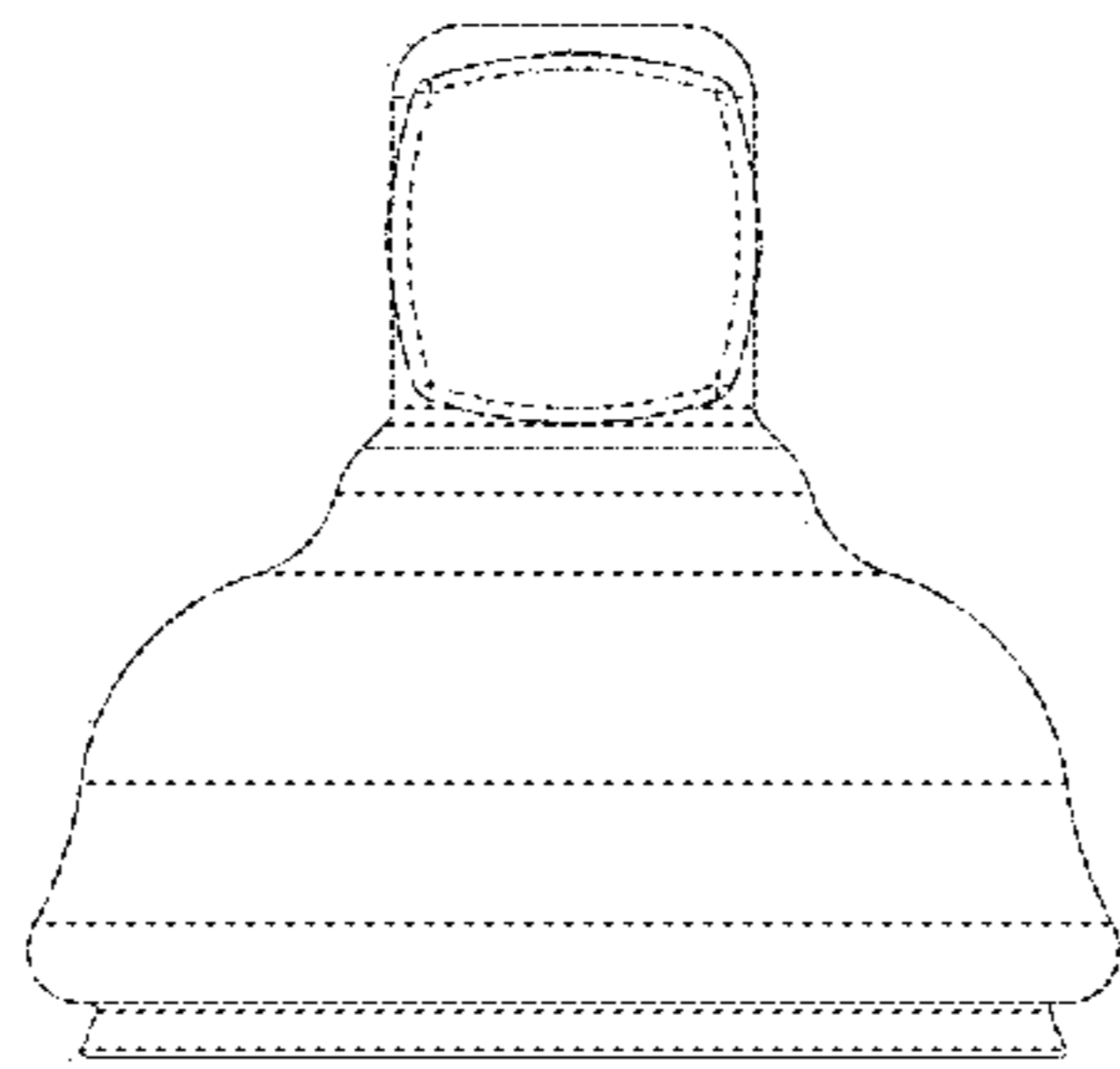


FIG. - 7