



US00D941430S

(12) **United States Design Patent** (10) **Patent No.:** **US D941,430 S**  
**Para** (45) **Date of Patent:** **\*\* Jan. 18, 2022**

(54) **FAUCET HANDLE**

(56) **References Cited**

(71) Applicant: **DELTA FAUCET COMPANY,**  
Indianapolis, IN (US)

U.S. PATENT DOCUMENTS

D580,523 S \* 11/2008 Hanna ..... D23/252  
D931,418 S \* 9/2021 Para ..... D23/238

(72) Inventor: **Lauren Elizabeth Para,** Lisle, IL (US)

\* cited by examiner

(73) Assignee: **DELTA FAUCET COMPANY,**  
Indianapolis, IN (US)

*Primary Examiner* — Robert A Delehanty  
(74) *Attorney, Agent, or Firm* — Nirav D. Parikh; Edgar A. Zarins

(\*\*) Term: **15 Years**

(57) **CLAIM**

The ornamental design for a faucet handle, as shown and described.

(21) Appl. No.: **29/723,323**

**DESCRIPTION**

(22) Filed: **Feb. 6, 2020**

FIG. 1 is a first perspective view of a faucet handle showing my new design;  
FIG. 2 is a front elevational view thereof;  
FIG. 3 is a rear view thereof;  
FIG. 4 is a top plan view thereof;  
FIG. 5 is a side view thereof; the opposite side being a mirror image of the side shown; and,  
FIG. 6 is a bottom view thereof.  
The broken lines shown with the article form no part of the claimed design.

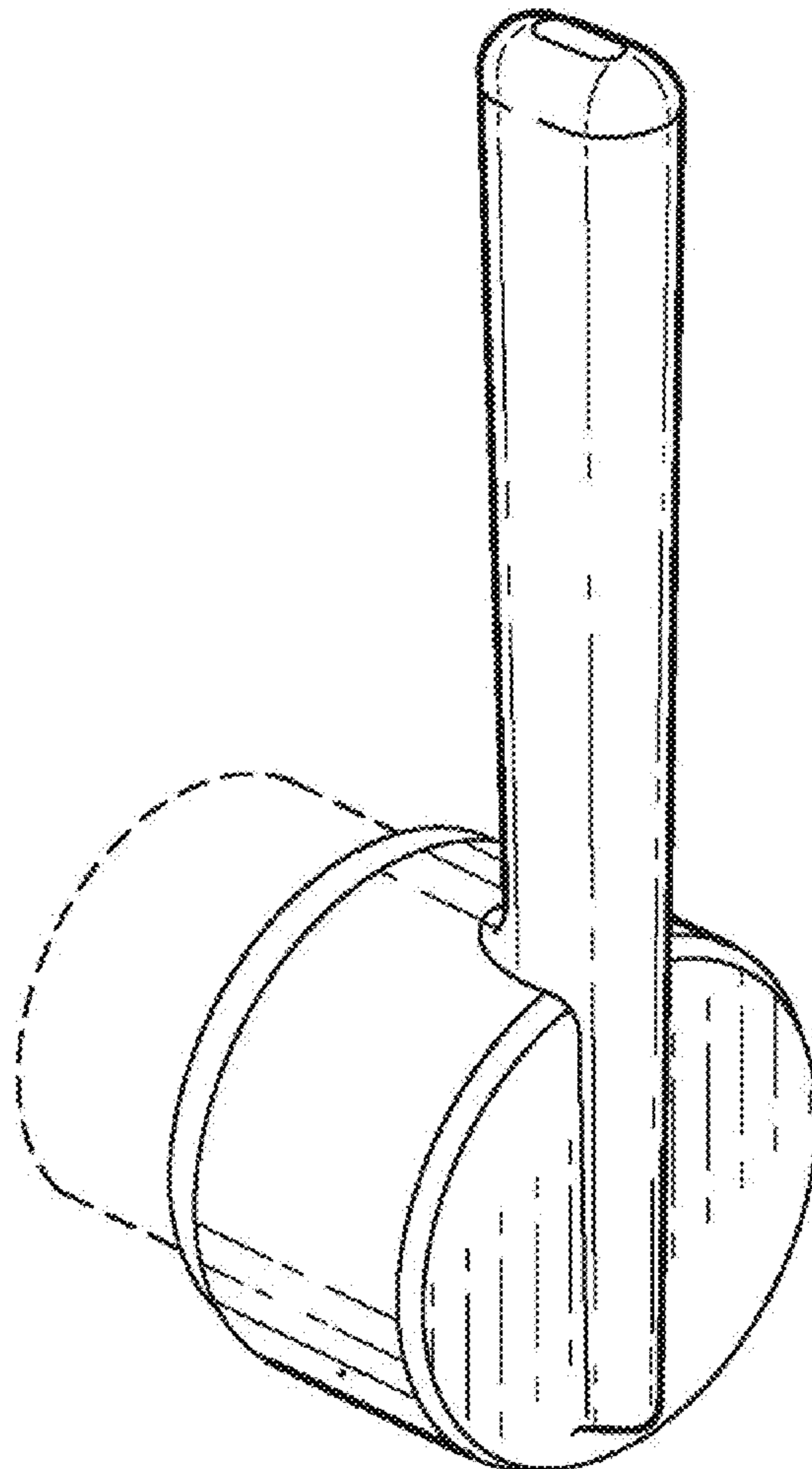
(51) **LOC (13) Cl.** ..... **23-01**

(52) **U.S. Cl.**  
USPC ..... **D23/252**

(58) **Field of Classification Search**  
USPC ..... D23/238-243, 249-250, 252, 254;  
D8/307-308

See application file for complete search history.

**1 Claim, 2 Drawing Sheets**



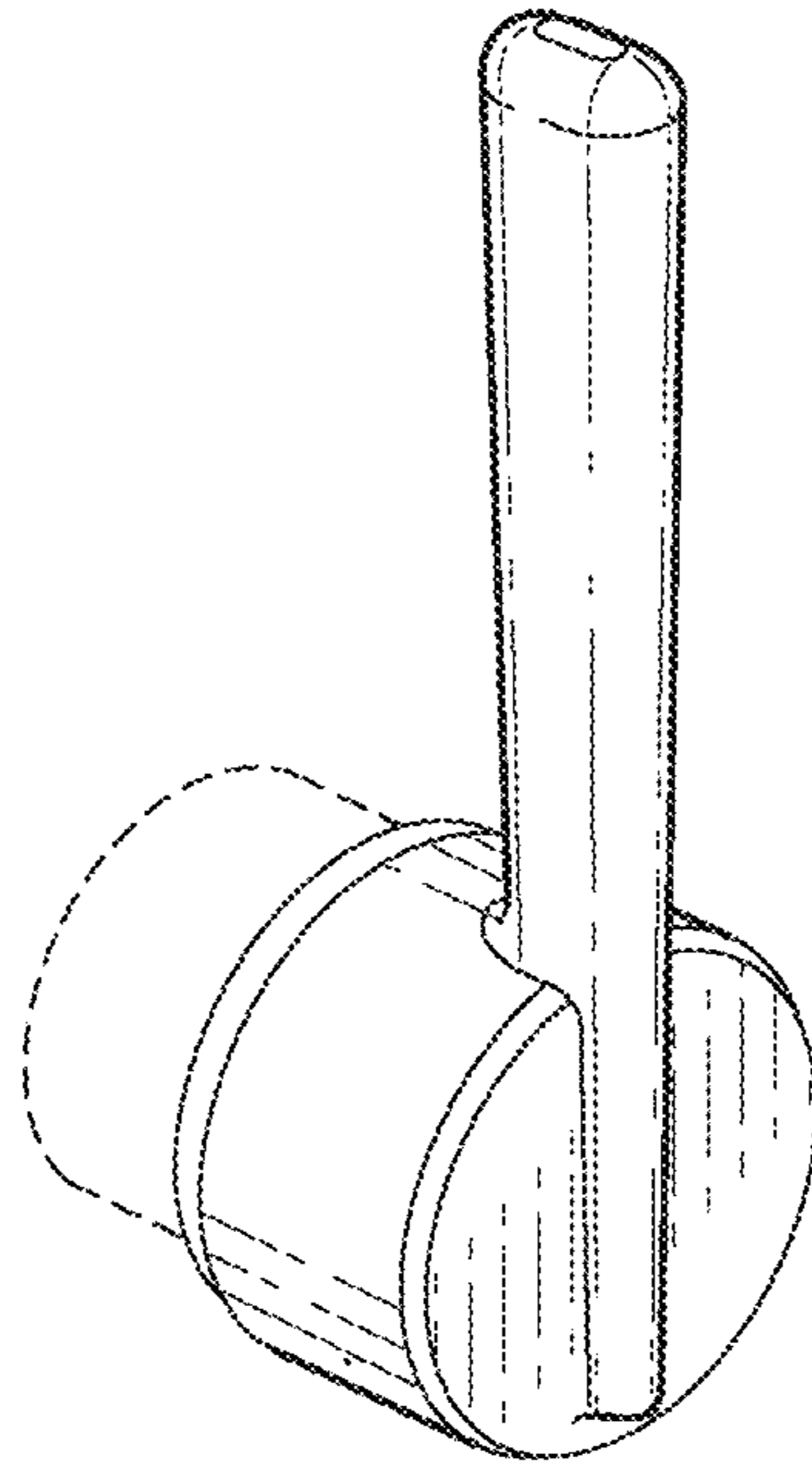


Fig-1

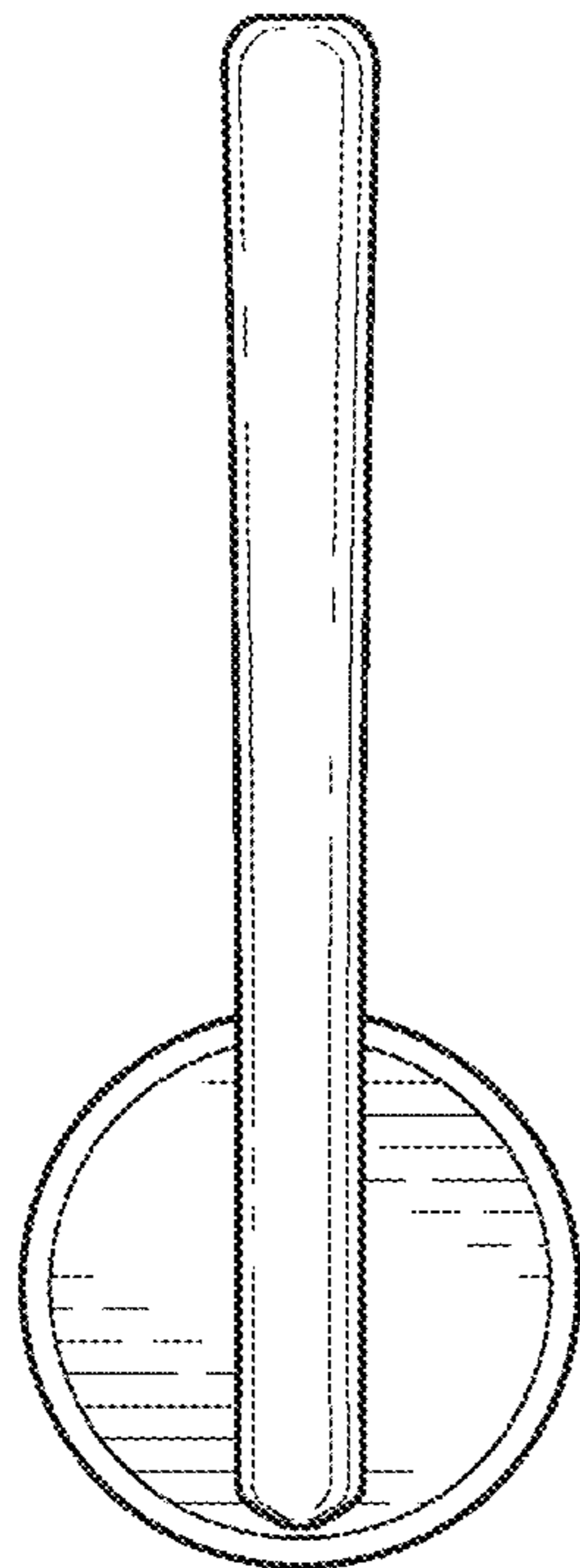


Fig-2

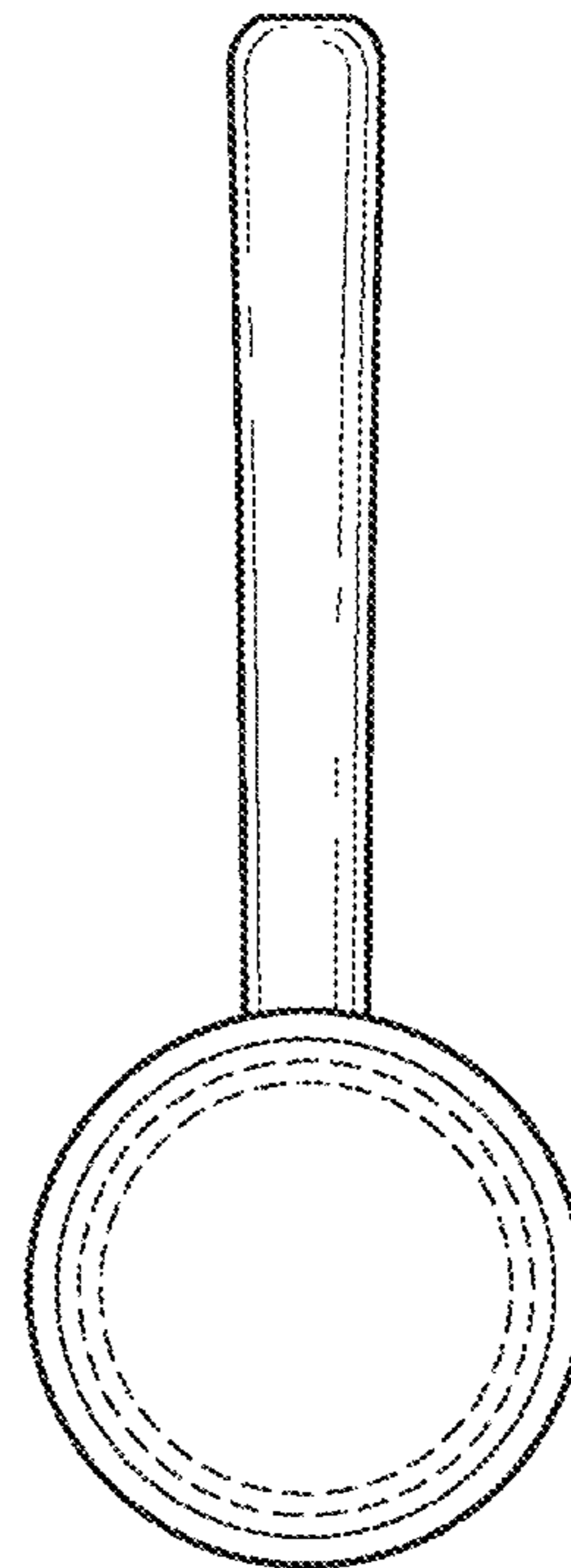


Fig-3

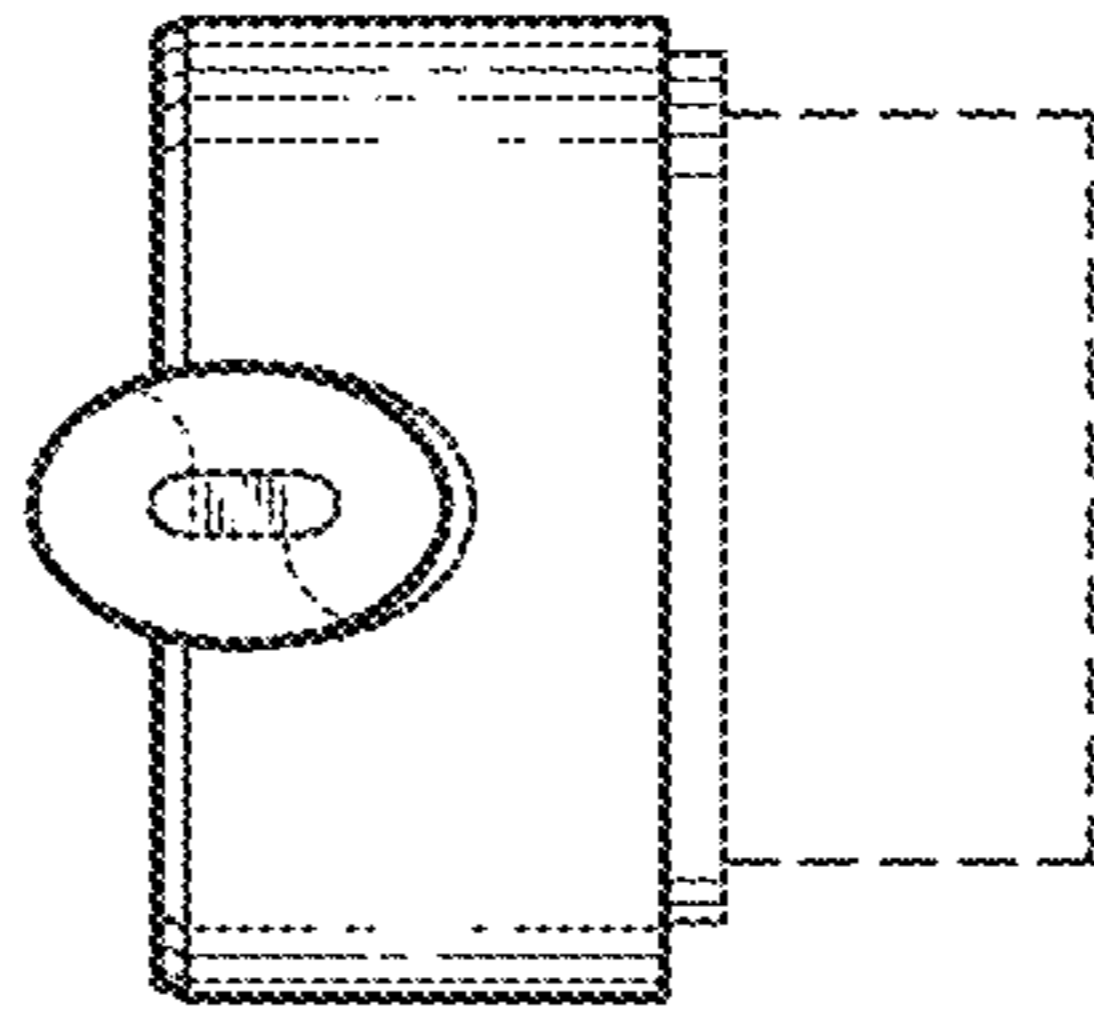


Fig-4

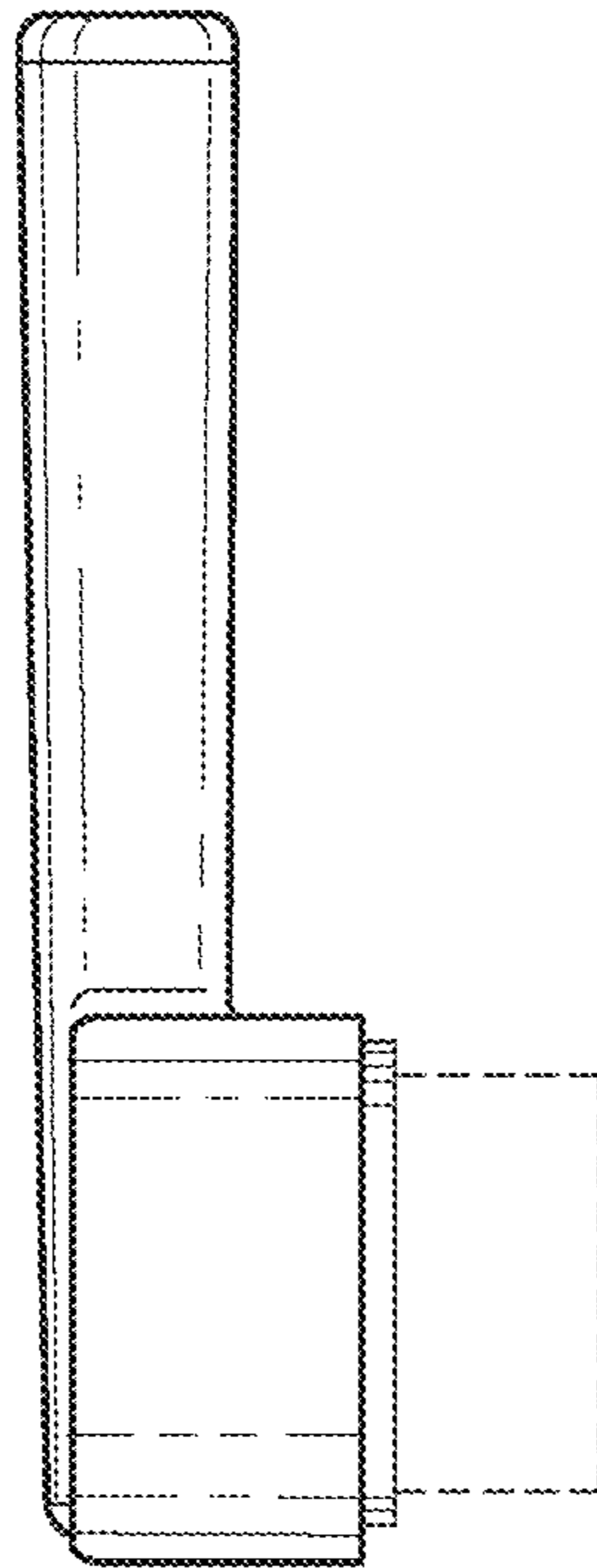


Fig-5

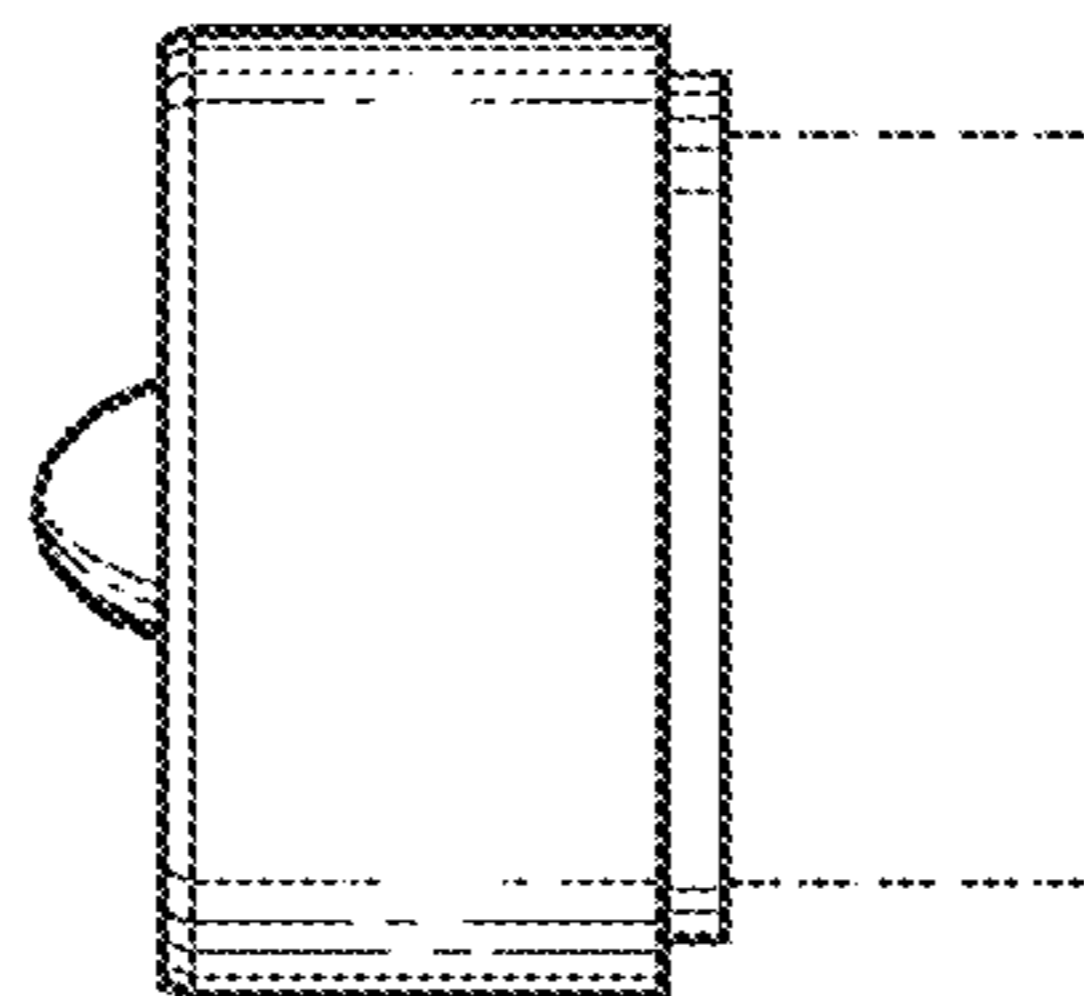


Fig-6