



US00D941428S

(12) **United States Design Patent**  
**Lazarini**

(10) **Patent No.:** **US D941,428 S**

(45) **Date of Patent:** **\*\* Jan. 18, 2022**

(54) **FAUCET HANDLE**

D877,300 S \* 3/2020 Tentler ..... D23/252  
D913,433 S \* 3/2021 Ao ..... D23/238  
D922,536 S \* 6/2021 Ao ..... D23/252

(71) Applicant: **DELTA FAUCET COMPANY,**  
Indianapolis, IN (US)

FOREIGN PATENT DOCUMENTS

(72) Inventor: **Alejandra Lazarini,** Carmel, IN (US)

CA 185187 \* 12/2018

(73) Assignee: **DELTA FAUCET COMPANY,**  
Indianapolis, IN (US)

OTHER PUBLICATIONS

(\*\*) Term: **15 Years**

Brizo HL6676-NK Sensori Thermostatic Valve Trim Handle, announced Date unavailable[online], [site visited Jun. 16, 2021]. Available from internet, URL:<<https://www.plumbersstock.com/brizo-hl6676-nk-invari.html>> (Year: 2021).\*

(21) Appl. No.: **29/719,683**

Moen YB2101CH Dartmoor Decorative Toilet Tank Lever, first available Jun. 14, 2016[online], [site visited date]. Available from internet, URL:<<https://www.amazon.com/Moen-YB2101ORB-Dartmoor-Rubbed-Bronze/dp/B01H1SOPRW?th=1>> (Year: 2016).\*

(22) Filed: **Jan. 7, 2020**

(51) **LOC (13) Cl.** ..... **23-01**

(52) **U.S. Cl.**

USPC ..... **D23/250**

(58) **Field of Classification Search**

USPC ..... D23/238-244, 250, 252, 254-255, 257;  
D8/300, 307-308

CPC .... F16K 31/602; F16K 31/605; F16K 31/607;  
E03C 1/02; E03C 1/04

See application file for complete search history.

\* cited by examiner

*Primary Examiner* — Barbara Fox

*Assistant Examiner* — Jamaal Rasheed

(74) *Attorney, Agent, or Firm* — Nirav D. Parikh; Edgar A. Zarins

(56) **References Cited**

(57) **CLAIM**

The ornamental design for a faucet handle, as shown and described.

U.S. PATENT DOCUMENTS

**DESCRIPTION**

D738,468 S	*	9/2015	Bahler	.....	D23/252
D761,389 S	*	7/2016	Hanna	.....	D23/252
D810,876 S	*	2/2018	Bahler	.....	D23/238
D851,730 S	*	6/2019	Garland	.....	D23/250
D865,131 S	*	10/2019	Eads	.....	D23/252
D870,244 S	*	12/2019	Stoler	.....	D23/252
D870,245 S	*	12/2019	Stoler	.....	D23/252
D870,855 S	*	12/2019	Eads	.....	D23/252
D871,554 S	*	12/2019	Garland	.....	D23/252
D872,239 S	*	1/2020	Eads	.....	D23/252
D873,381 S	*	1/2020	Eads	.....	D23/252
D874,616 S	*	2/2020	Judge	.....	D23/252
D875,892 S	*	2/2020	Tentler	.....	D23/252

FIG. 1 is a front perspective view of a faucet handle showing my new design;

FIG. 2 is a rear perspective view thereof;

FIG. 3 is a rear elevational view thereof;

FIG. 4 is a left side view thereof;

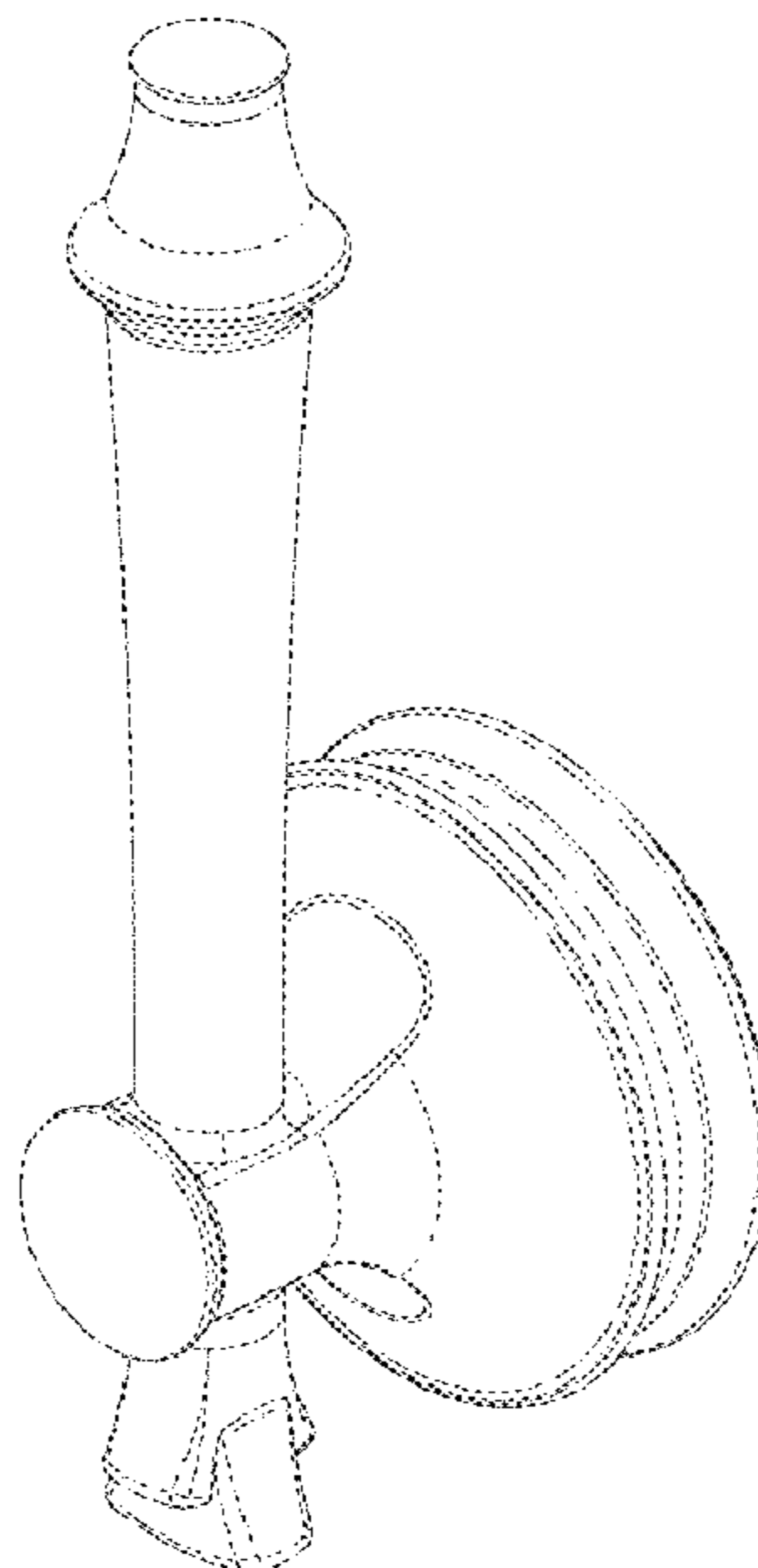
FIG. 5 is a front view thereof;

FIG. 6 is a right side view thereof;

FIG. 7 is a top plan view thereof; and,

FIG. 8 is a bottom view thereof.

**1 Claim, 4 Drawing Sheets**



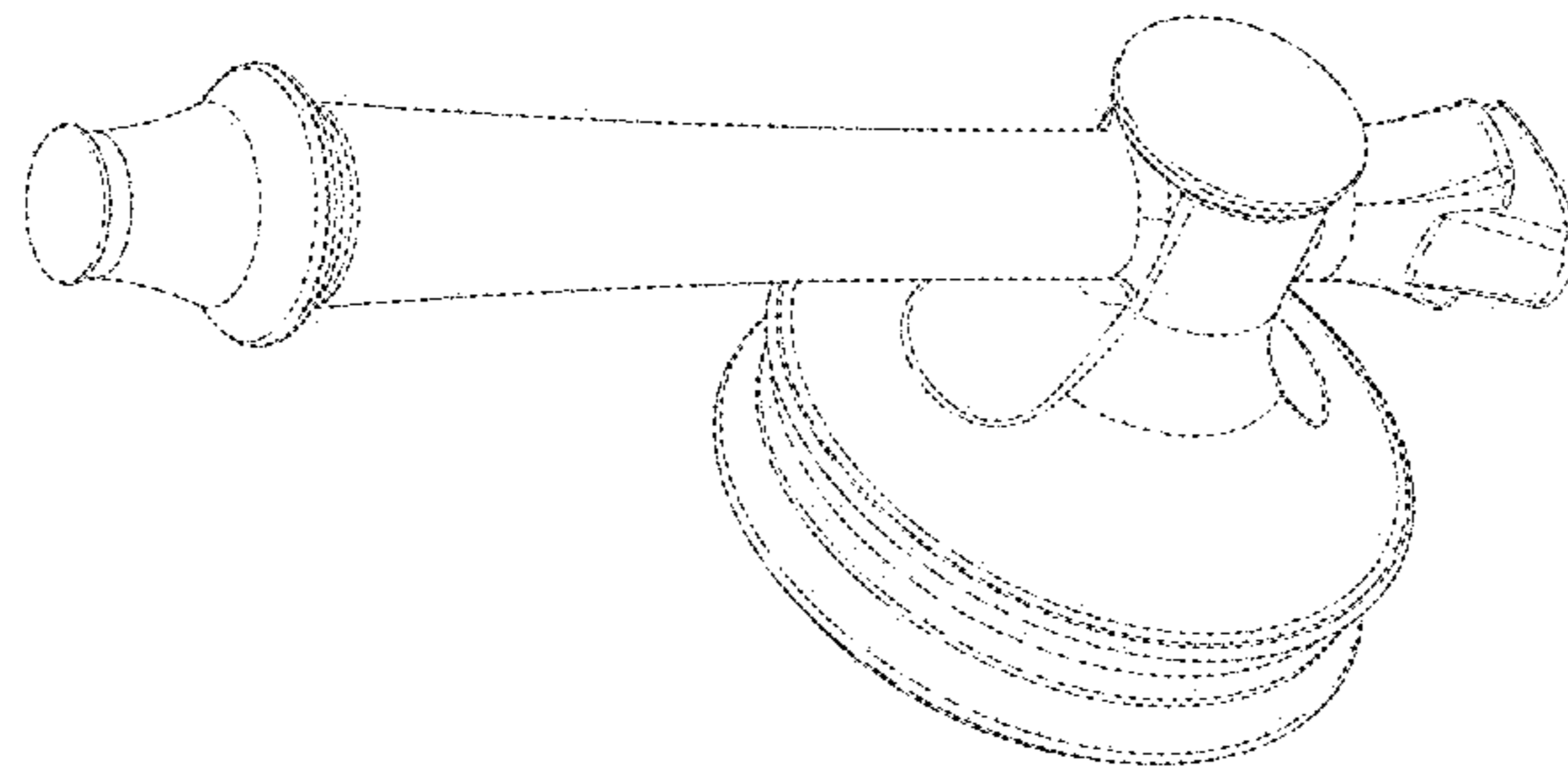


FIG - 2

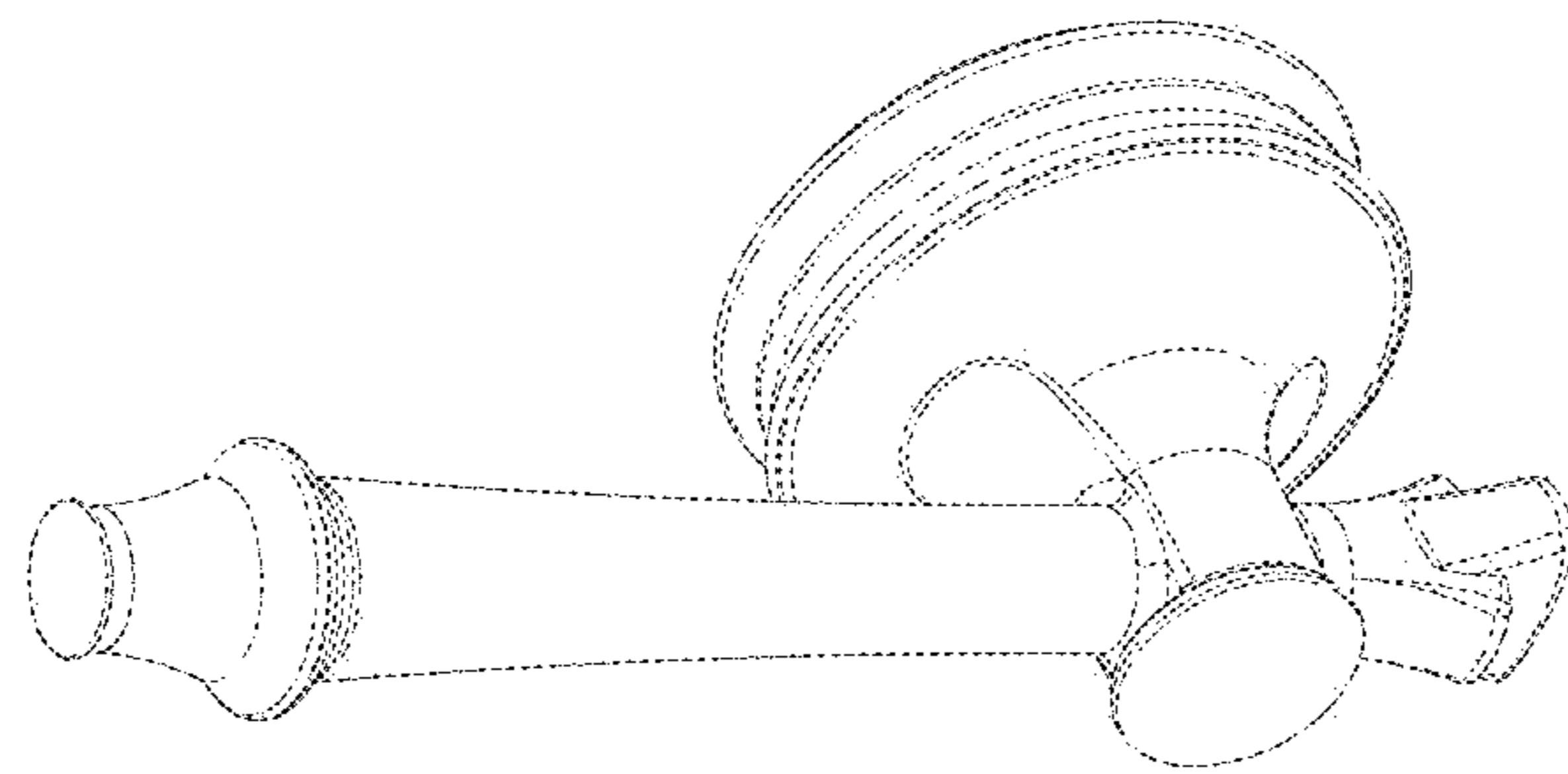


FIG - 1

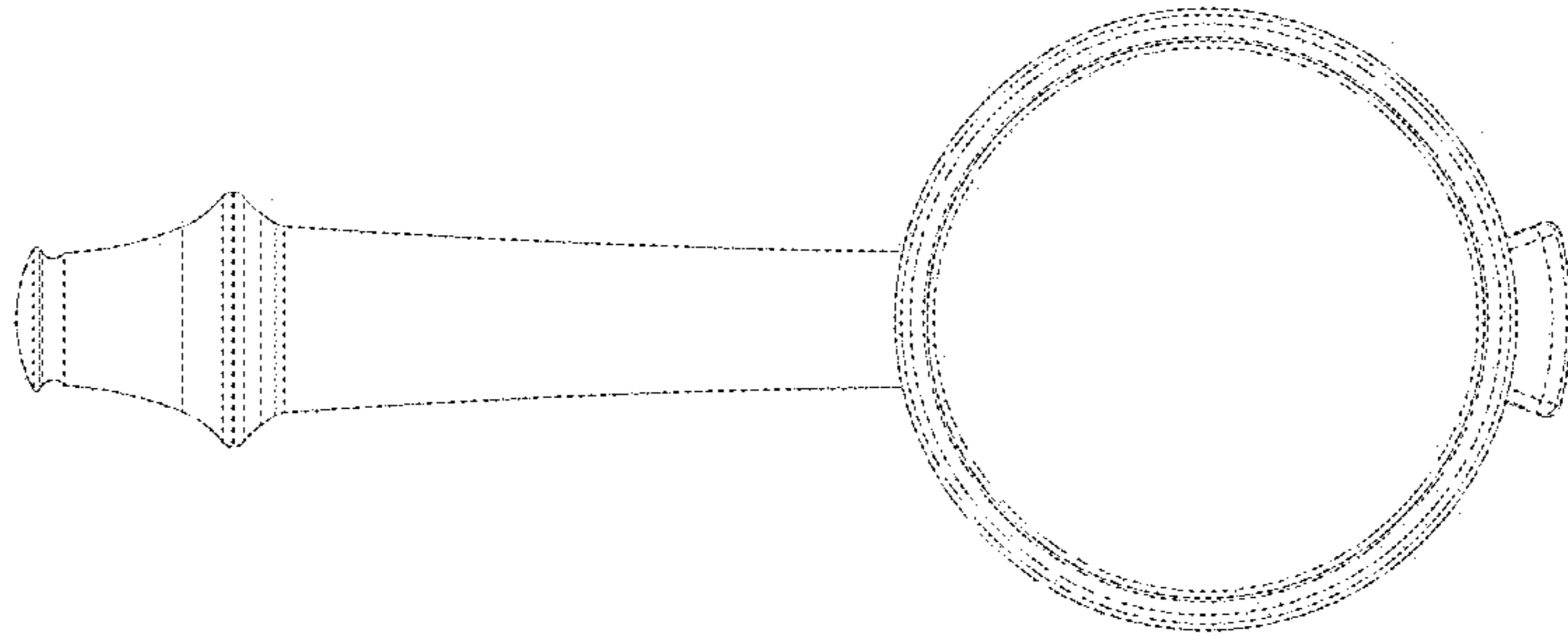


FIG - 4

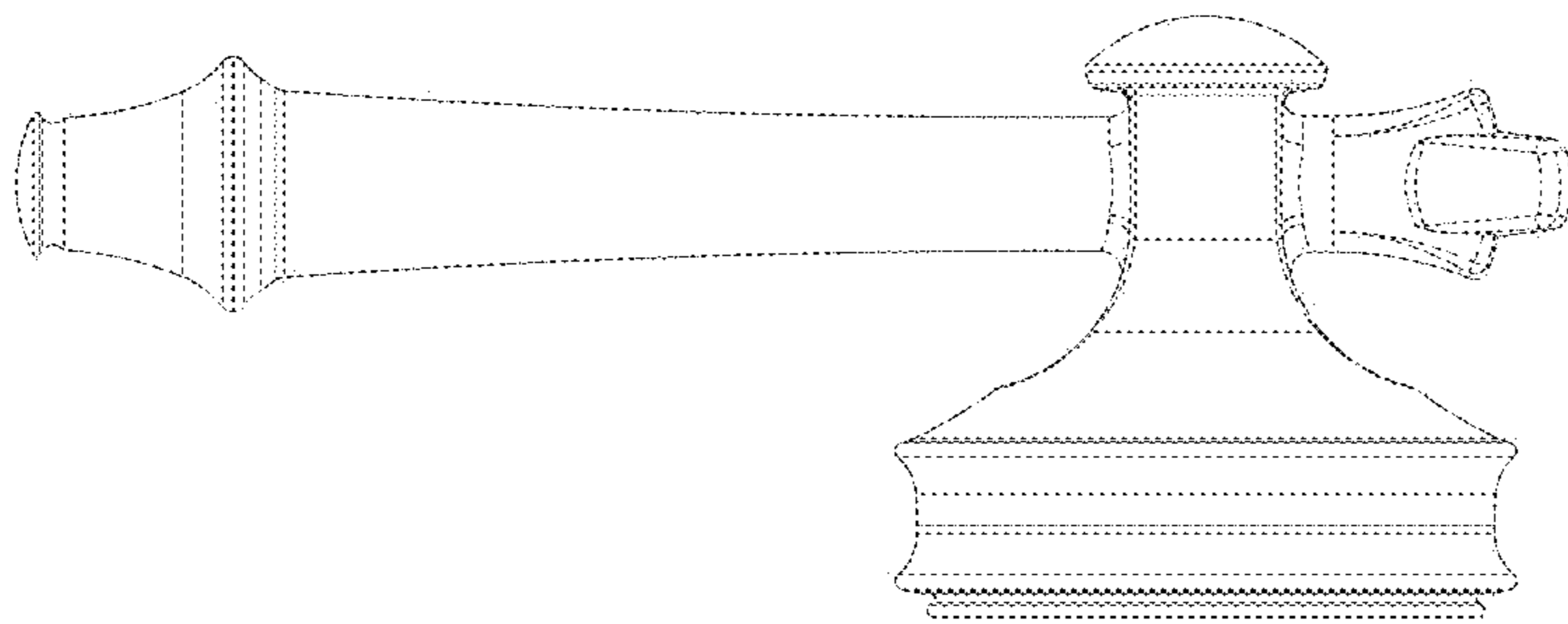


FIG - 3

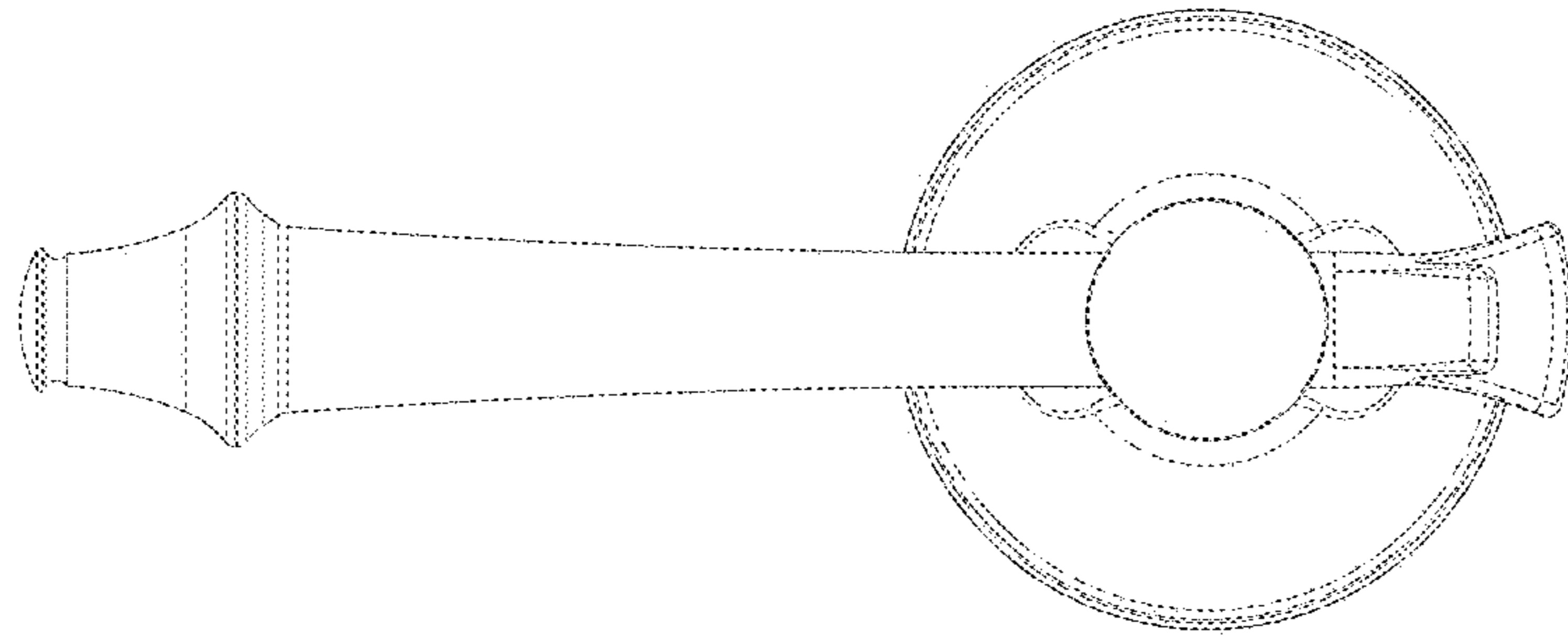


FIG - 6

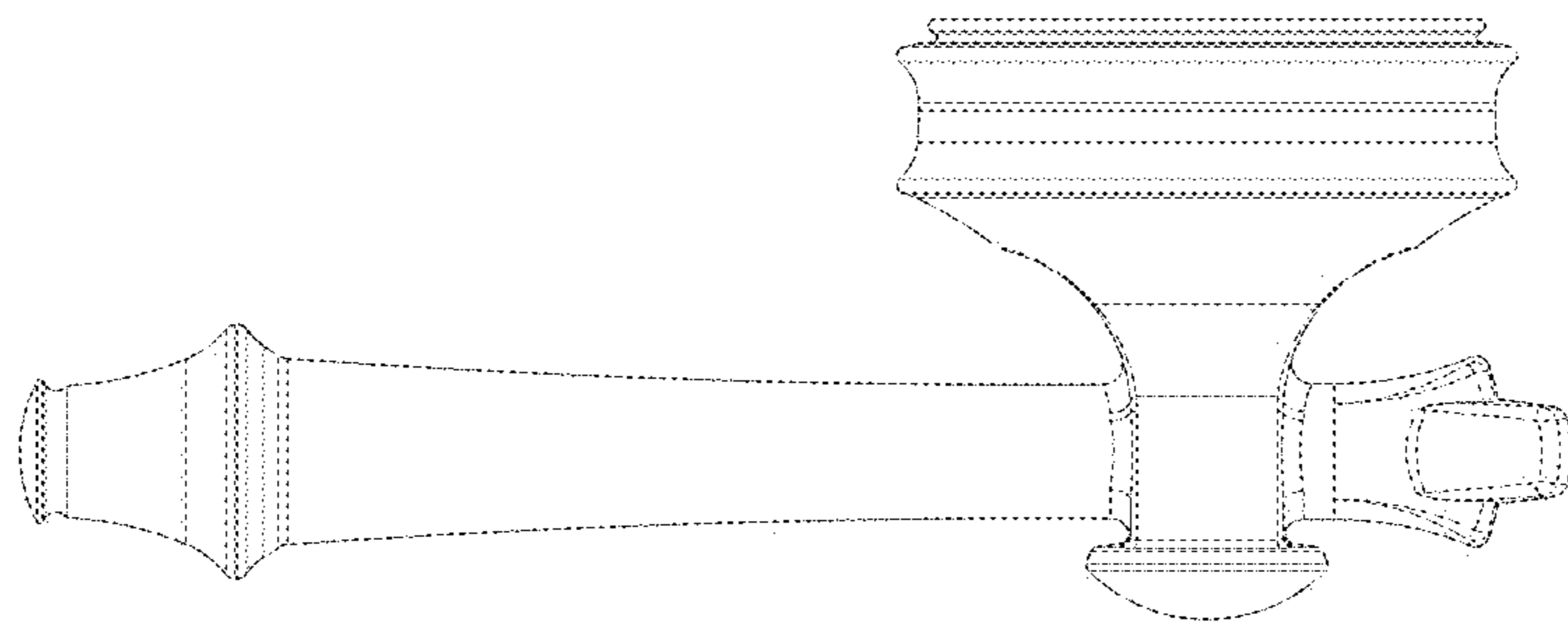


FIG - 5

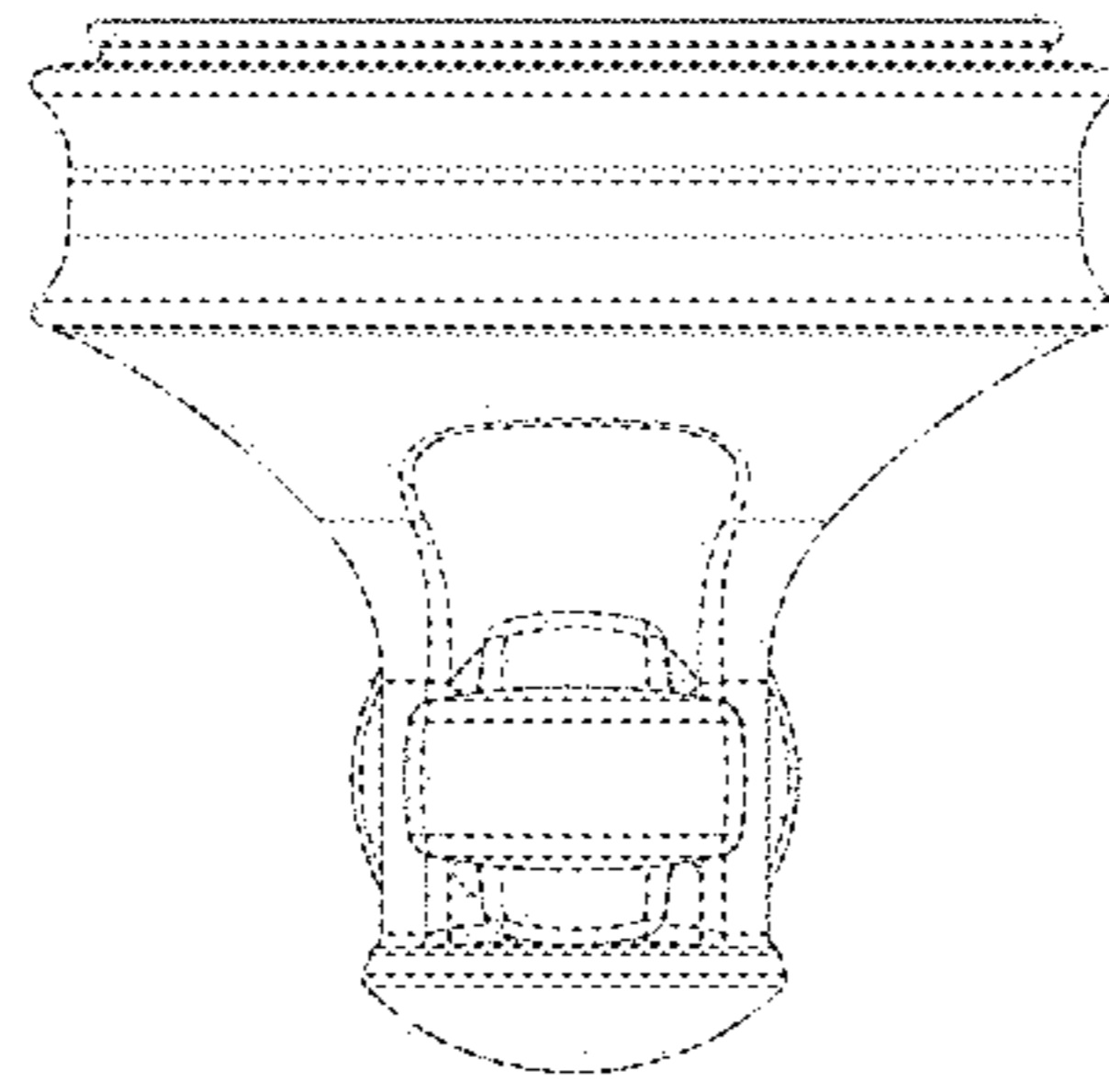


FIG - 8

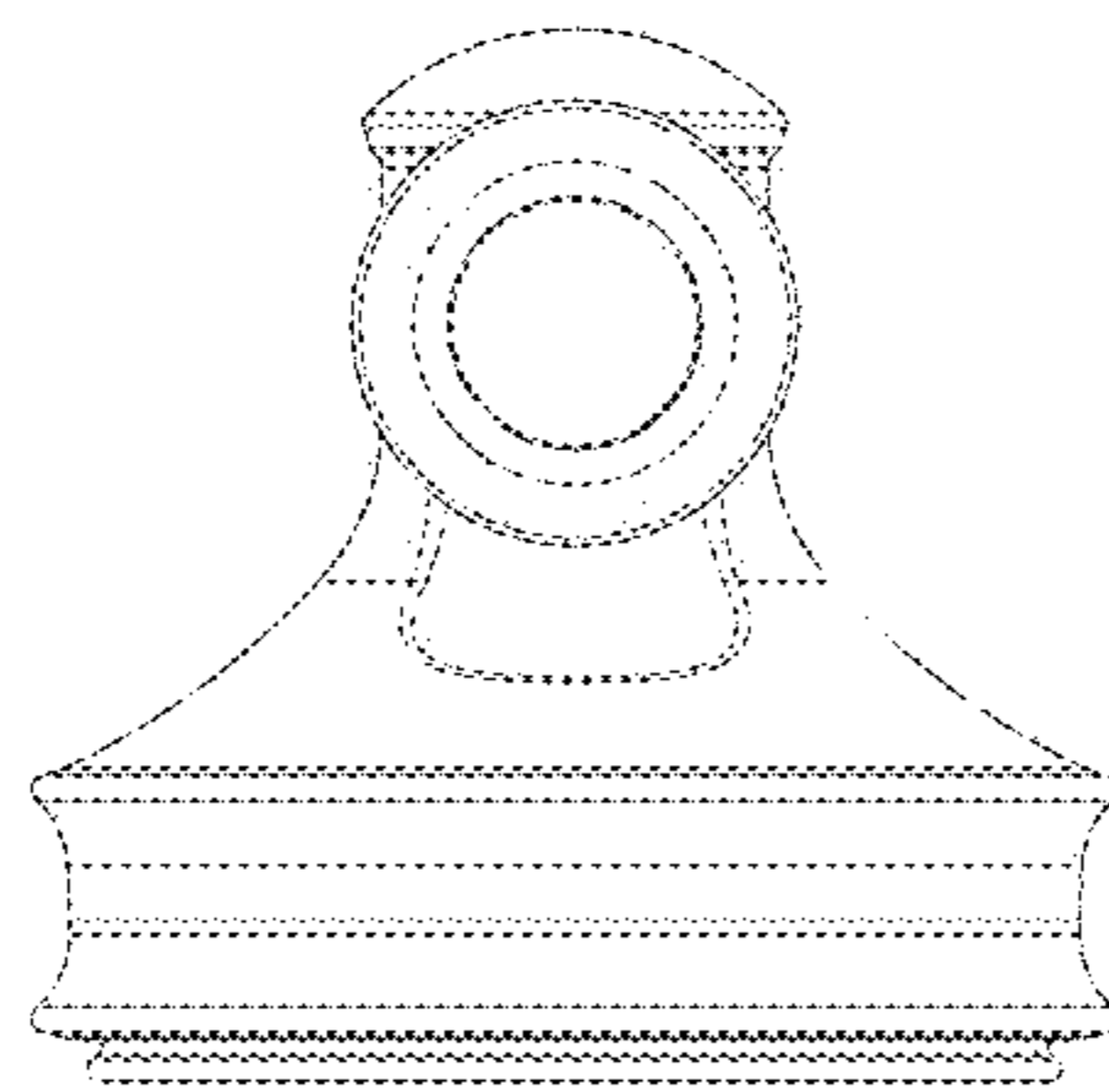


FIG - 7