



US00D941427S

(12) **United States Design Patent**
Diefenbach

(10) **Patent No.:** **US D941,427 S**

(45) **Date of Patent:** **** Jan. 18, 2022**

(54) **FAUCET BASE**

(71) Applicant: **HANSGROHE SE**, Schiltach (DE)

(72) Inventor: **Andreas Diefenbach**,
Ludwigsburg-Ossweil (DE)

(73) Assignee: **Hansgrohe SE**, Schiltach (DE)

(**) Term: **15 Years**

(21) Appl. No.: **29/701,898**

(22) Filed: **Aug. 15, 2019**

(30) **Foreign Application Priority Data**

Feb. 19, 2019 (EM) 006260980-0002

(51) **LOC (13) Cl.** **23-01**

(52) **U.S. Cl.**
USPC **D23/249**

(58) **Field of Classification Search**
USPC D23/238, 239, 240, 241, 242, 243, 249,
D23/250, 255, 256, 257; D6/524
CPC E03C 1/04; E03C 1/0401; E03C 1/0402;
E03C 1/0404; E03C 1/0405; E03C
1/0412; Y10T 137/9464
See application file for complete search history.

(56) **References Cited**

U.S. PATENT DOCUMENTS

D509,564 S * 9/2005 Jorgensen D23/238
D509,565 S * 9/2005 Starck D23/238
D529,583 S * 10/2006 Zetsche D23/238
D634,402 S * 3/2011 Zetsche D23/238

D708,716 S * 7/2014 Ryu D23/241
D820,404 S * 6/2018 Wieser D23/239
D820,406 S * 6/2018 Wieser D23/239
2019/0194915 A1 * 6/2019 Tsuruda F16L 41/03

OTHER PUBLICATIONS

Hansgrohe Aquino Select Kitchen Faucet, 2-Spray Pull-Out [Sep. 9, 2020] found online [Sep. 9, 2020]—<https://www.hansgrohe-usa.com/articledetail-aquino-select-kitchen-faucet-2-spray-pull-out-1-75-gpm-73836001>.*

* cited by examiner

Primary Examiner — John A Voytek

(74) *Attorney, Agent, or Firm* — Lora J. Graentzdoerffer

(57) **CLAIM**

The ornamental design for a faucet base, as shown and described.

DESCRIPTION

FIG. 1 is a perspective view of a faucet base showing my design;
FIG. 2 is a front elevation view;
FIG. 3 is a rear elevation view;
FIG. 4 is a right side elevation view;
FIG. 5 is a left side elevation view;
FIG. 6 is a top plan view; and,
FIG. 7 is a bottom plan view.
The broken-line disclosures in the view represents portions of the faucet base in which the claimed design is embodied, but which forms no part of the claimed design.

1 Claim, 7 Drawing Sheets

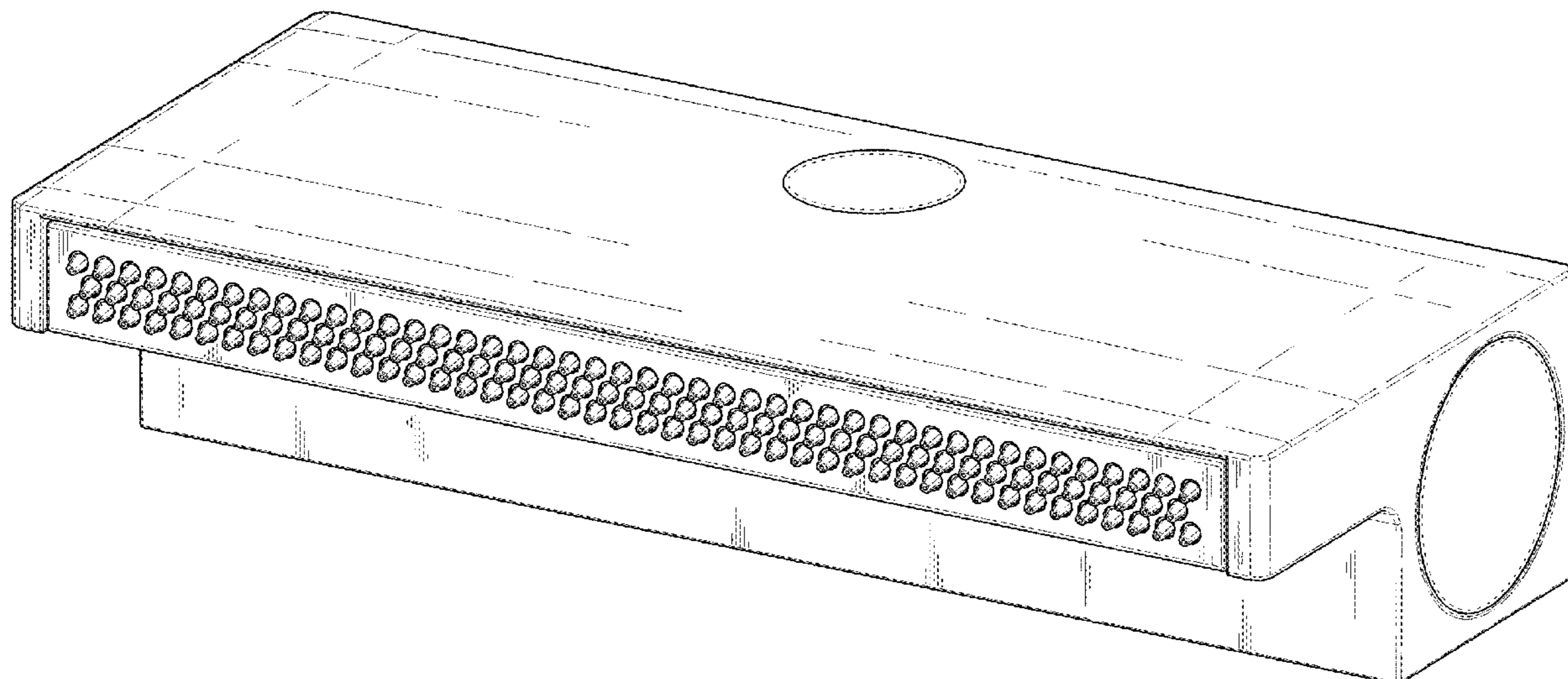


FIG. 1

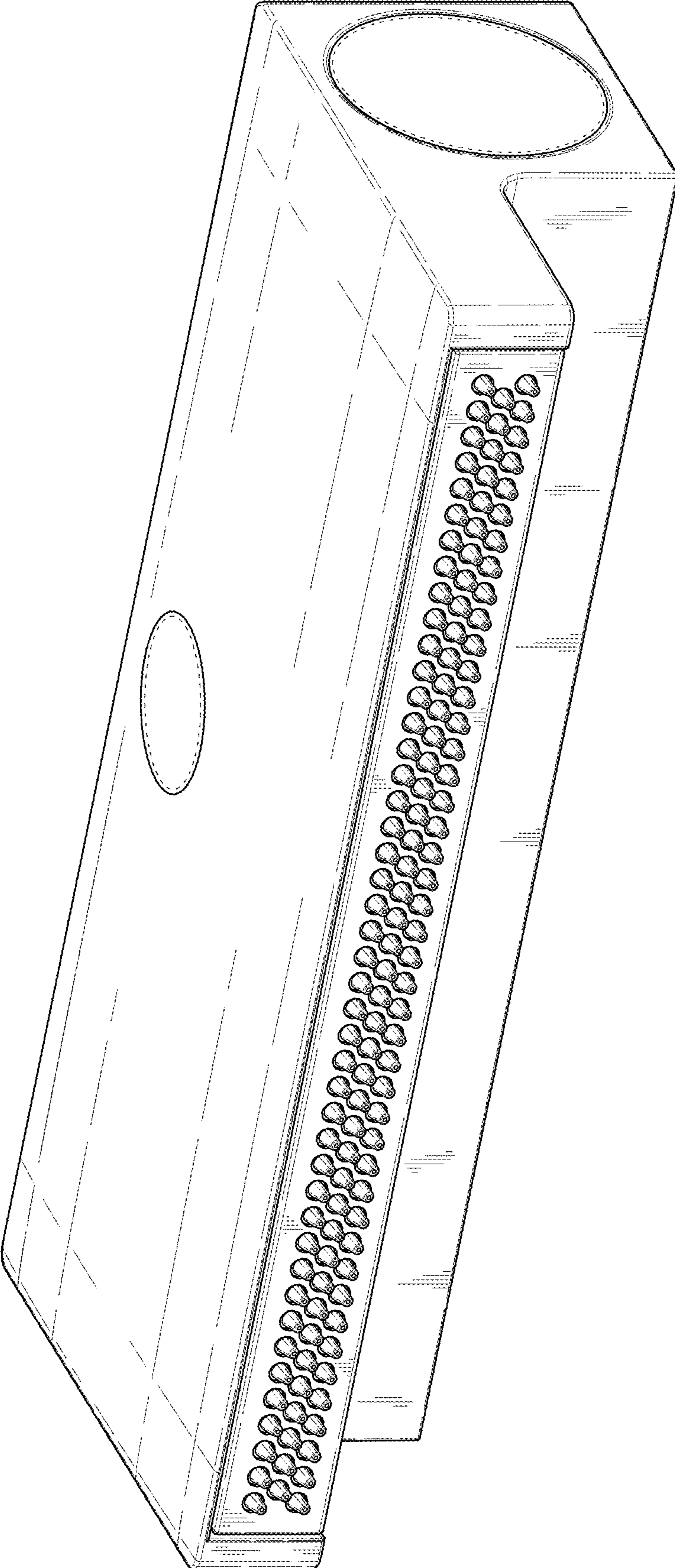


FIG. 2

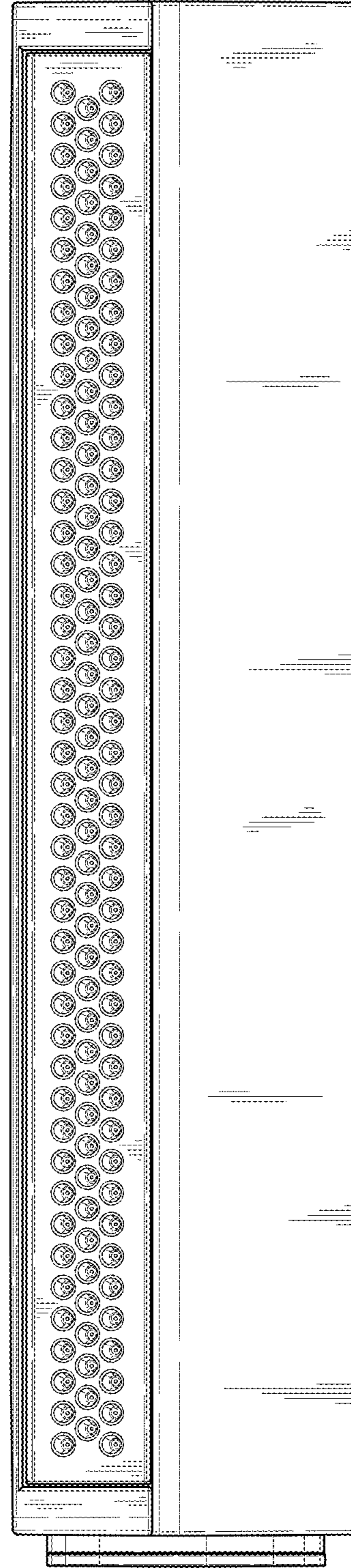


FIG. 3

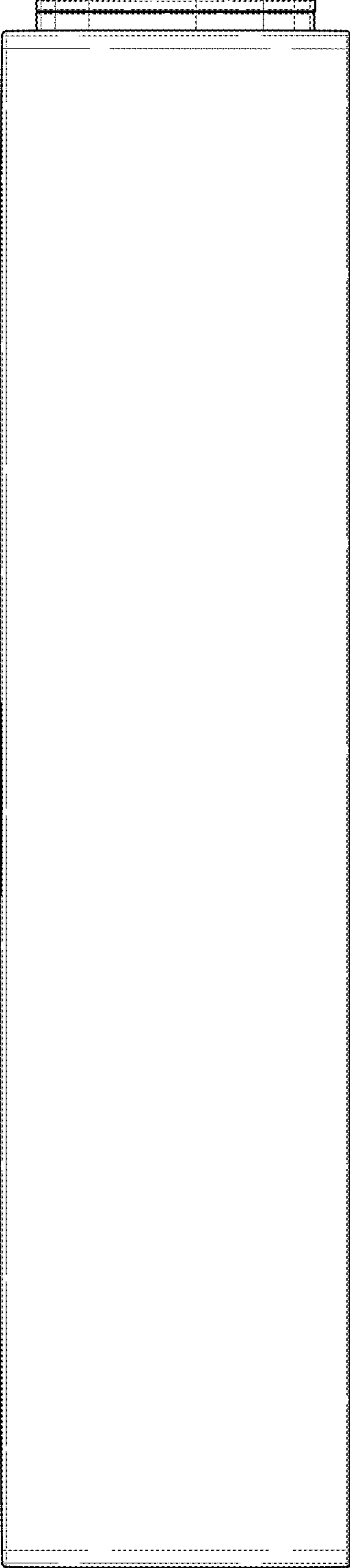


FIG. 4

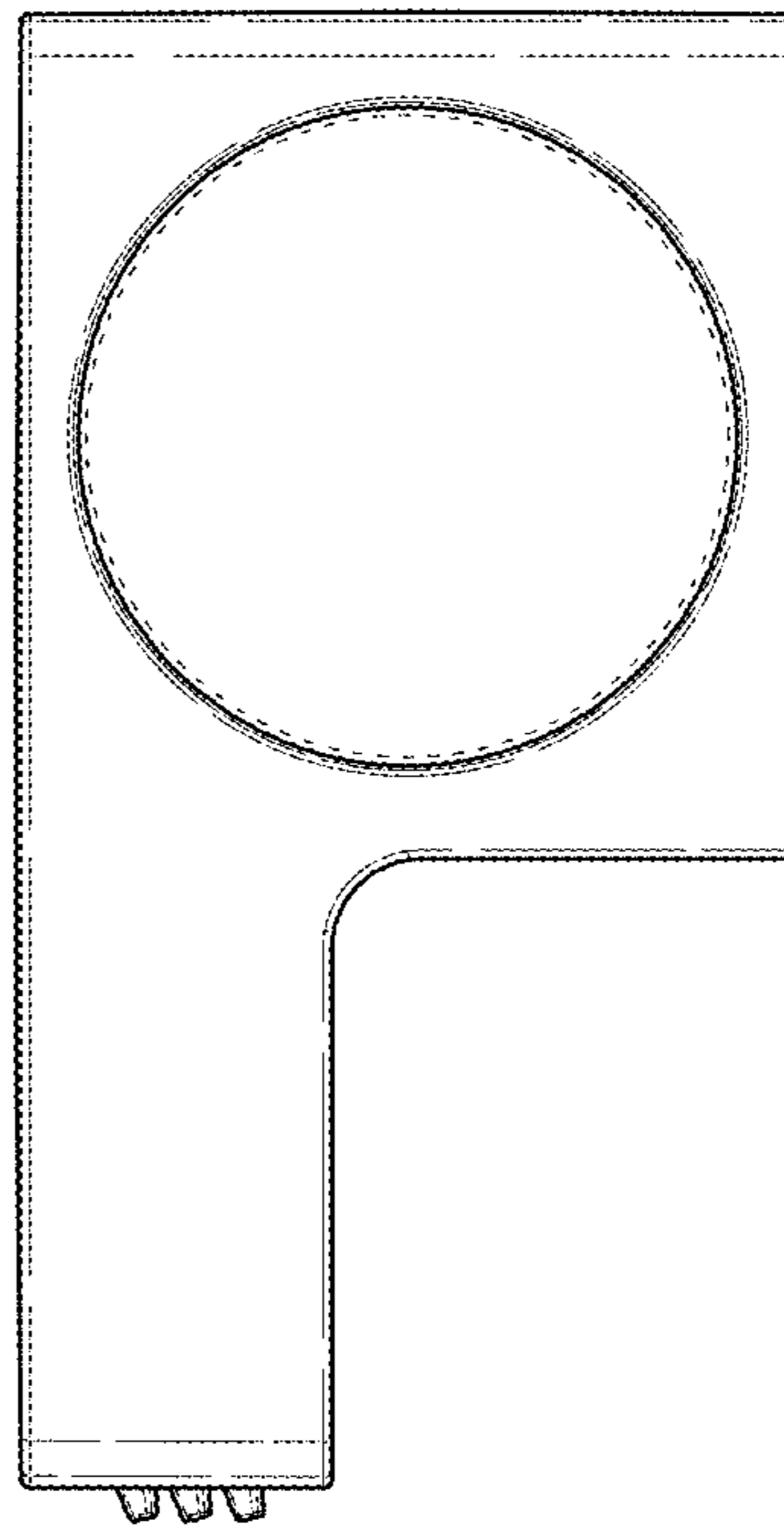


FIG. 5

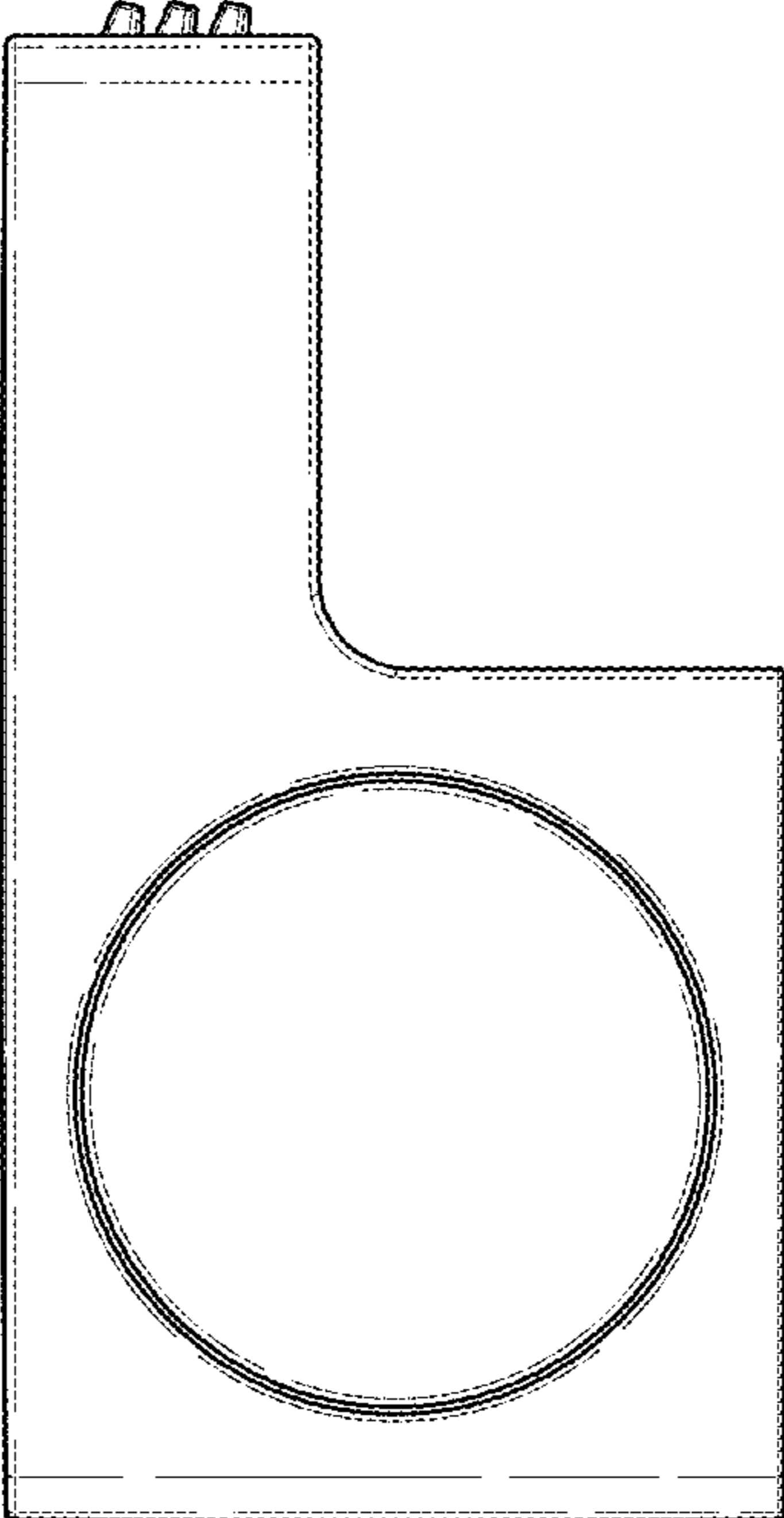


FIG. 6

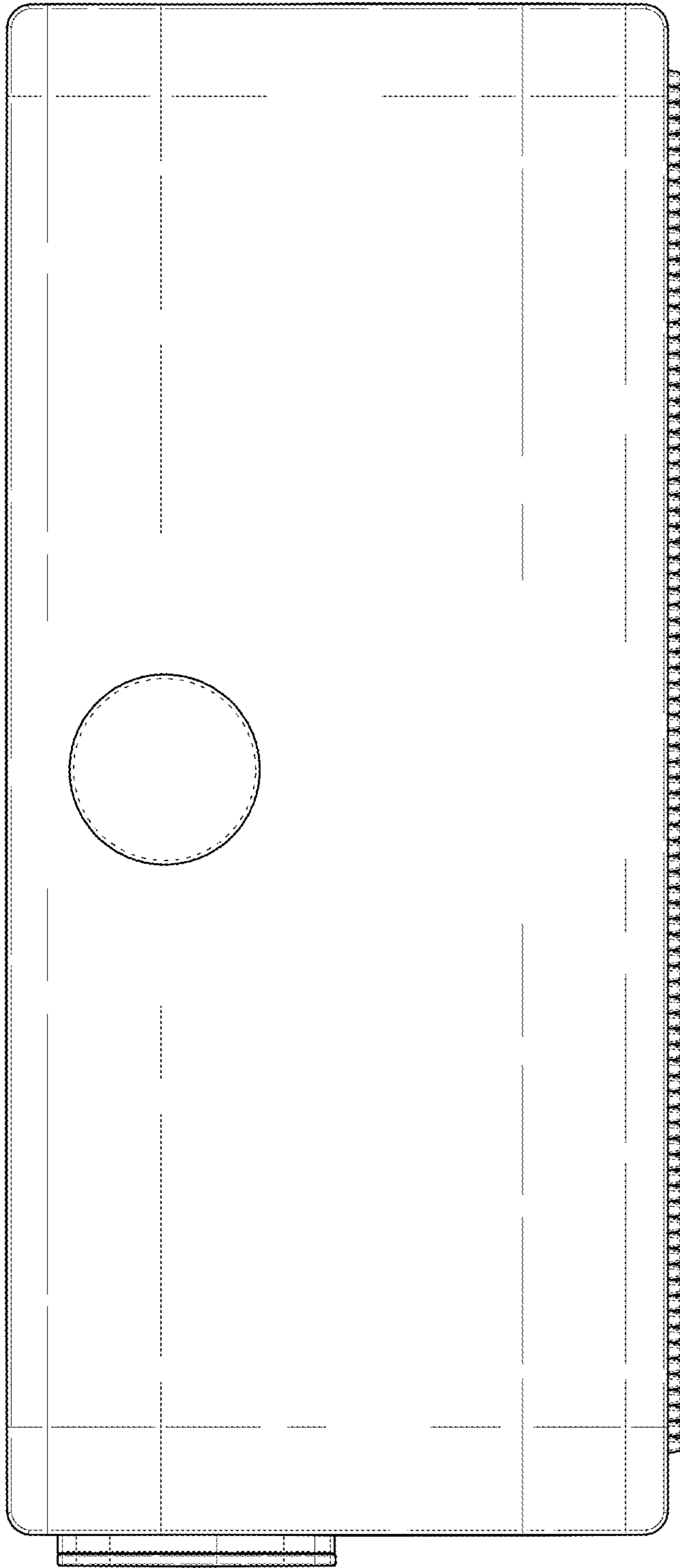


FIG. 7

