

US00D941426S

(12) **United States Design Patent**  
**Downing et al.**

(10) **Patent No.:** **US D941,426 S**  
(45) **Date of Patent:** **\*\* Jan. 18, 2022**

(54) **VALVE**

(71) Applicant: **Hynds Holdings Limited**, Auckland (NZ)

(72) Inventors: **Patrick Downing**, Watthana (TH);  
**Kevin Carlyle**, Auckland (NZ)

(73) Assignee: **Hynds Holdings Limited**, Auckland (NZ)

(\*\*) Term: **15 Years**

(21) Appl. No.: **29/685,055**

(22) Filed: **Mar. 26, 2019**

(30) **Foreign Application Priority Data**

Sep. 26, 2018 (AU) ..... 201815755

(51) **LOC (13) Cl.** ..... **23-01**

(52) **U.S. Cl.**  
USPC ..... **D23/245**

(58) **Field of Classification Search**  
USPC ..... D23/233-237, 241-249  
CPC .. F16K 27/0209; F16K 15/026; F16K 15/063;  
F16K 15/00; F16K 15/183; F16K 15/185;  
F16K 15/188

See application file for complete search history.

(56) **References Cited**

**U.S. PATENT DOCUMENTS**

D321,928 S \* 11/1991 Milo ..... D23/245  
D335,918 S \* 5/1993 Glansk ..... D23/245

D496,091 S \* 9/2004 Katzman ..... D23/235  
D701,945 S \* 4/2014 Mitsuoka ..... D23/245  
D755,348 S \* 5/2016 Mitsuoka ..... D23/233  
9,951,667 B2 \* 4/2018 Mitsuoka ..... F16K 27/067  
D856,478 S \* 8/2019 Yung ..... D23/233  
D902,355 S \* 11/2020 Mitsuoka ..... D23/245

**OTHER PUBLICATIONS**

Screenshot of <https://eone.com/sewer-systems/products/laterals>, Environment One Corporation.  
Brochure by Hydro-Konekt, [www.hydroko.com](http://www.hydroko.com).

\* cited by examiner

*Primary Examiner* — Gino Colan

(74) *Attorney, Agent, or Firm* — Clark Hill PLC; Timothy M. McCarthy

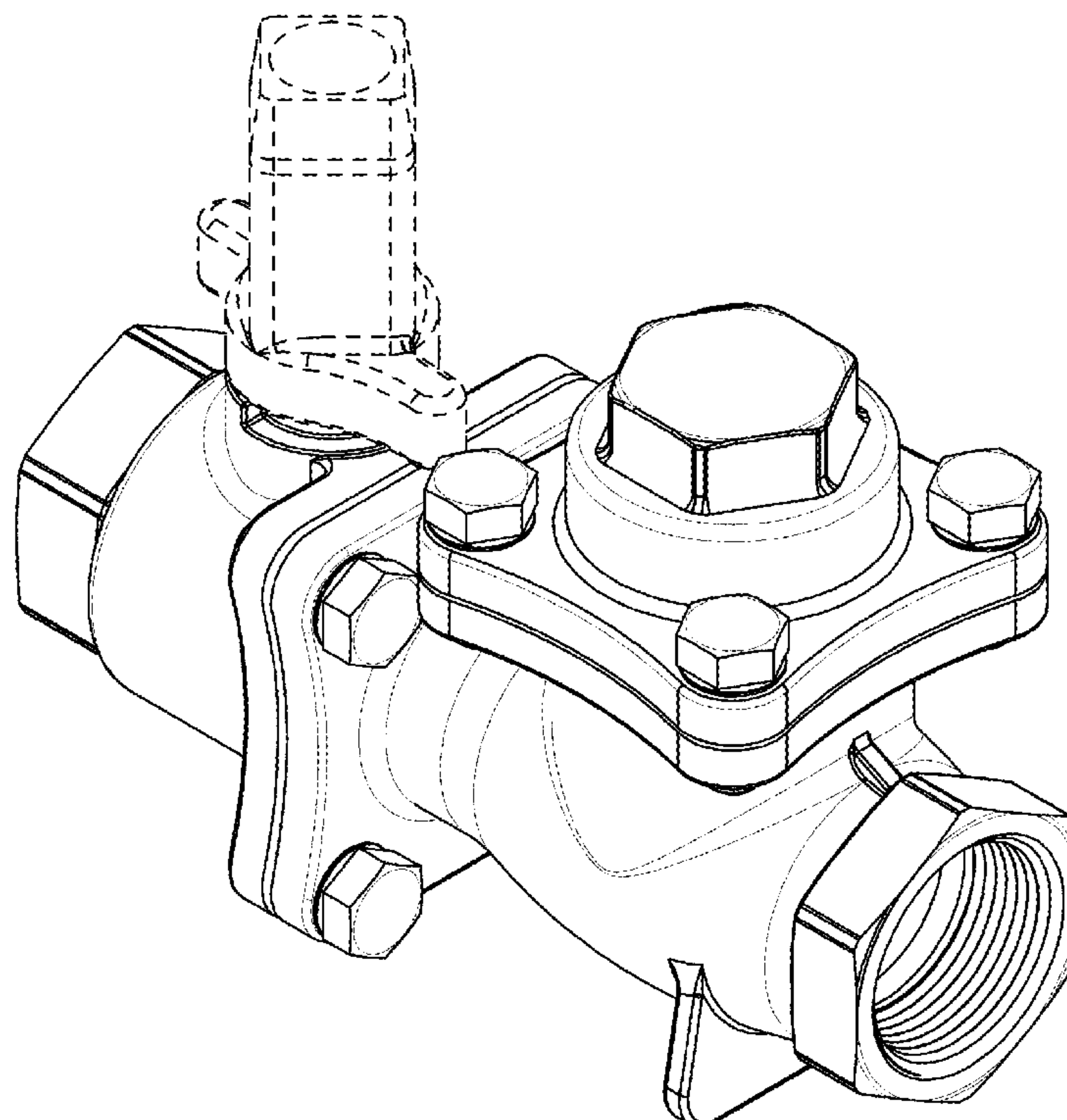
(57) **CLAIM**

The ornamental design for a valve, as shown and described.

**DESCRIPTION**

FIG. 1 is a front perspective view of the valve.  
FIG. 2 is a right side view of the valve.  
FIG. 3 is left side view of the valve.  
FIG. 4 is a back view of the valve.  
FIG. 5 is a front view of the valve.  
FIG. 6 is a top view of the valve; and,  
FIG. 7 is a bottom view of the valve.  
The broken lines shown in the figures are for the purpose of illustrating portions of the valve and form no part of the claimed design.

**1 Claim, 7 Drawing Sheets**



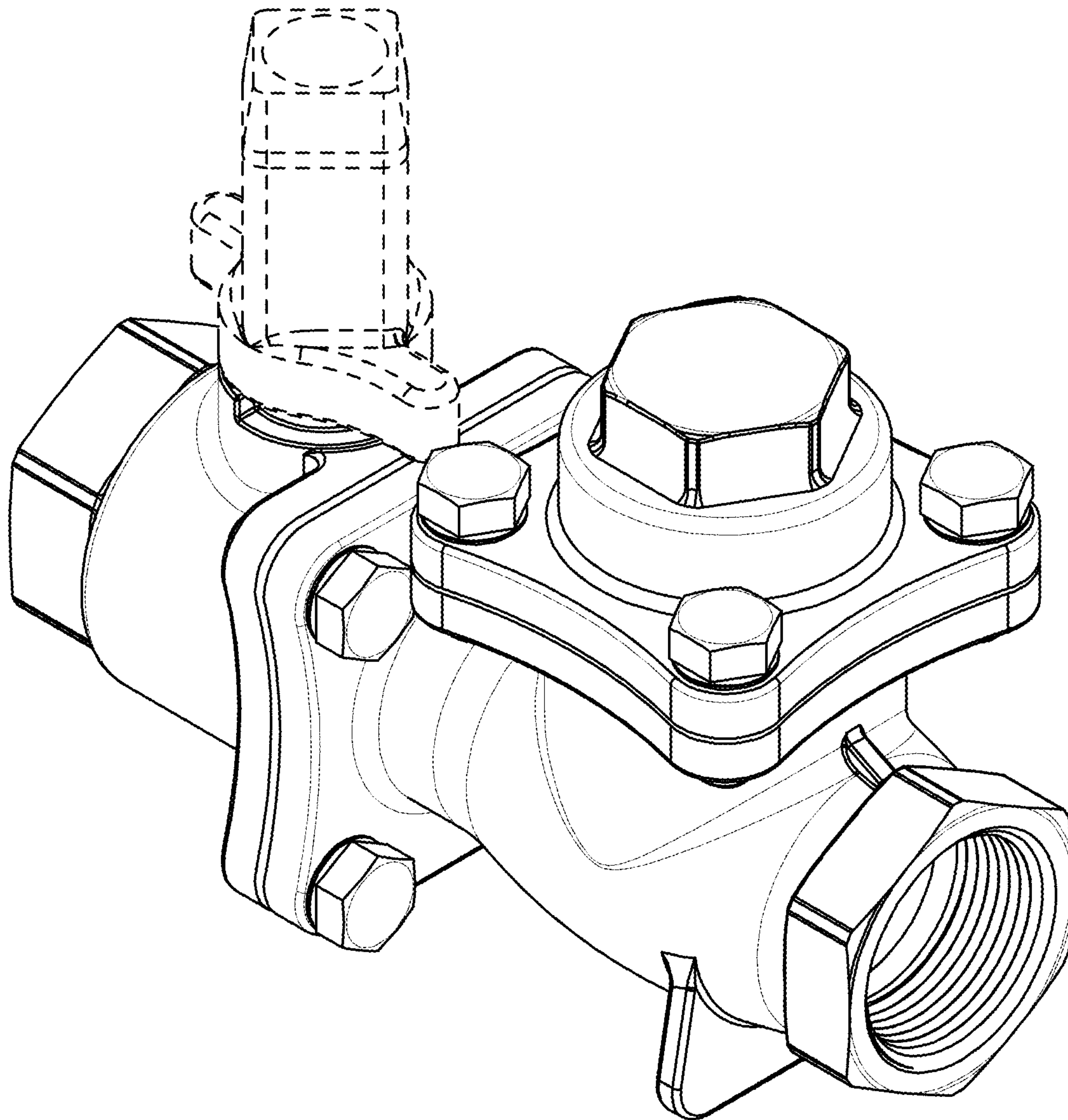


FIG. 1

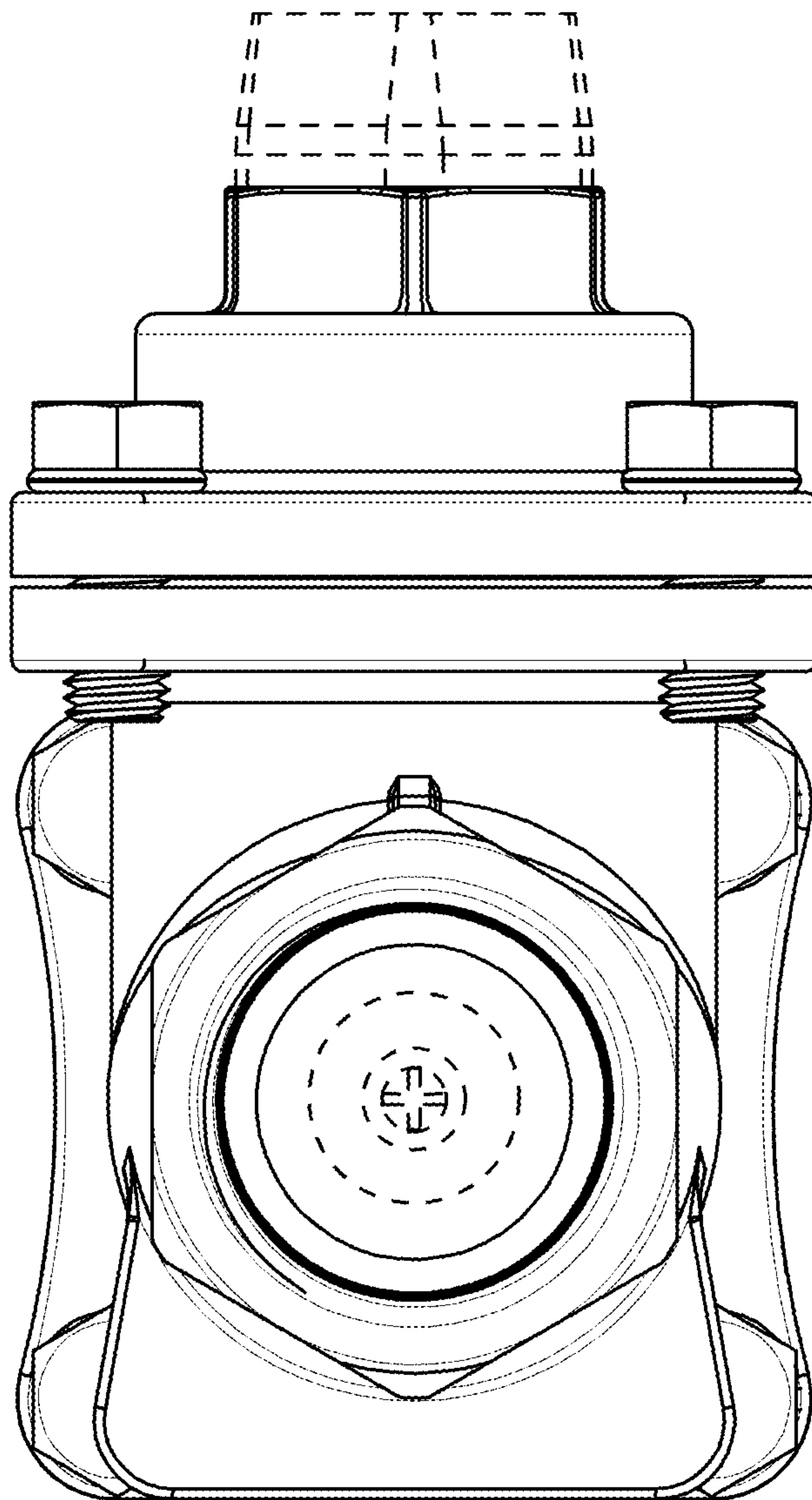


FIG. 2

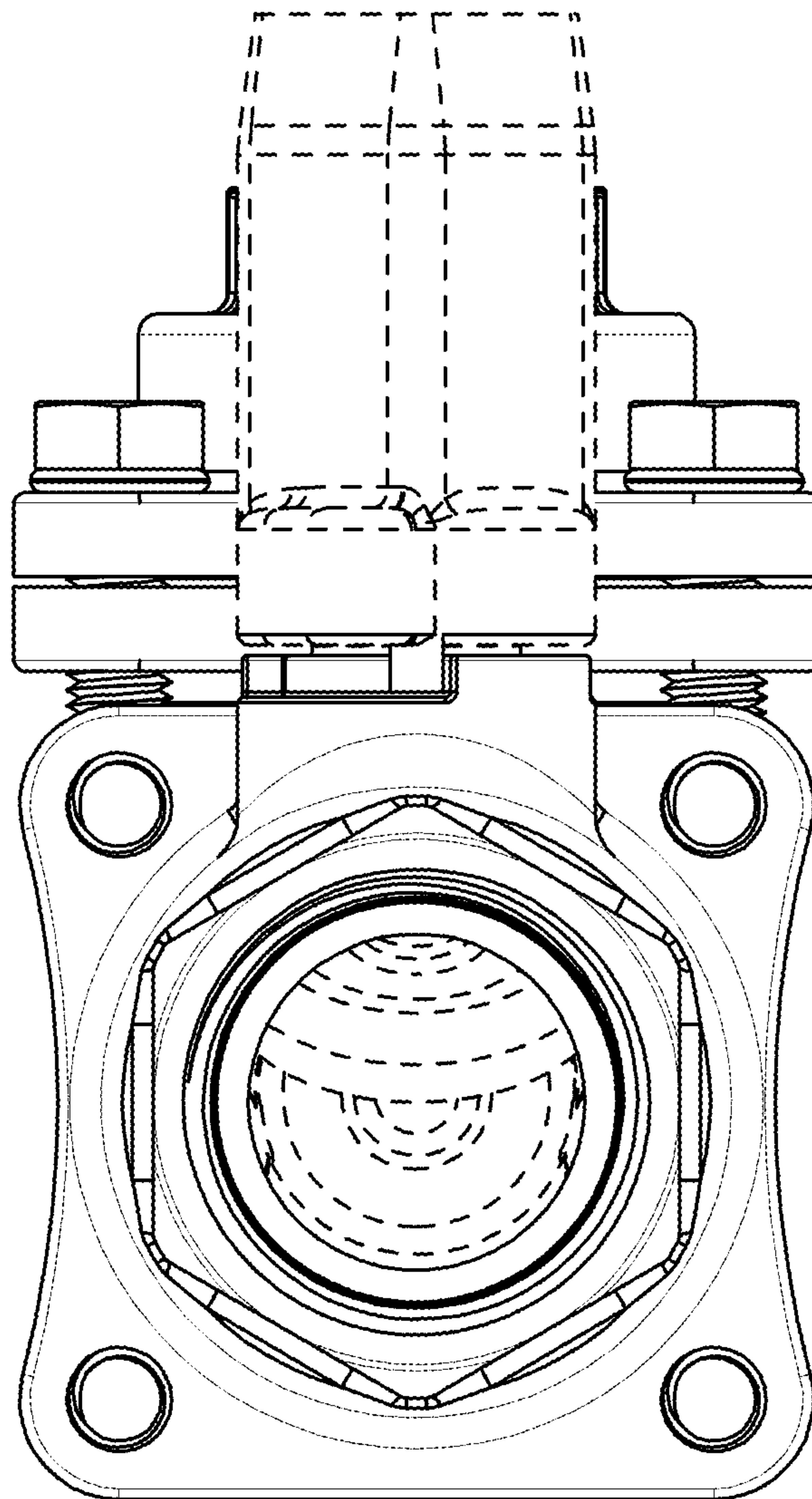


FIG. 3



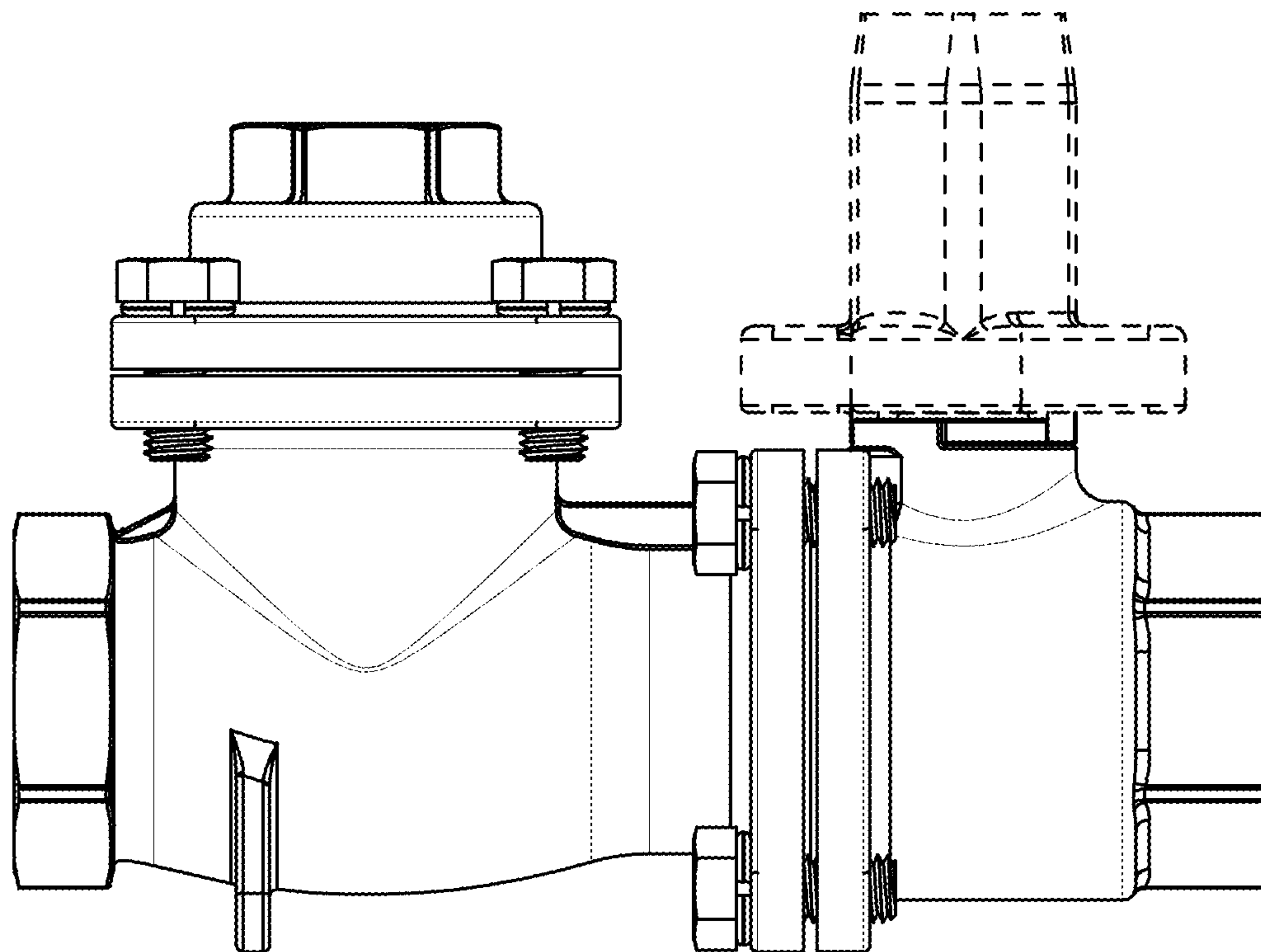


FIG. 4

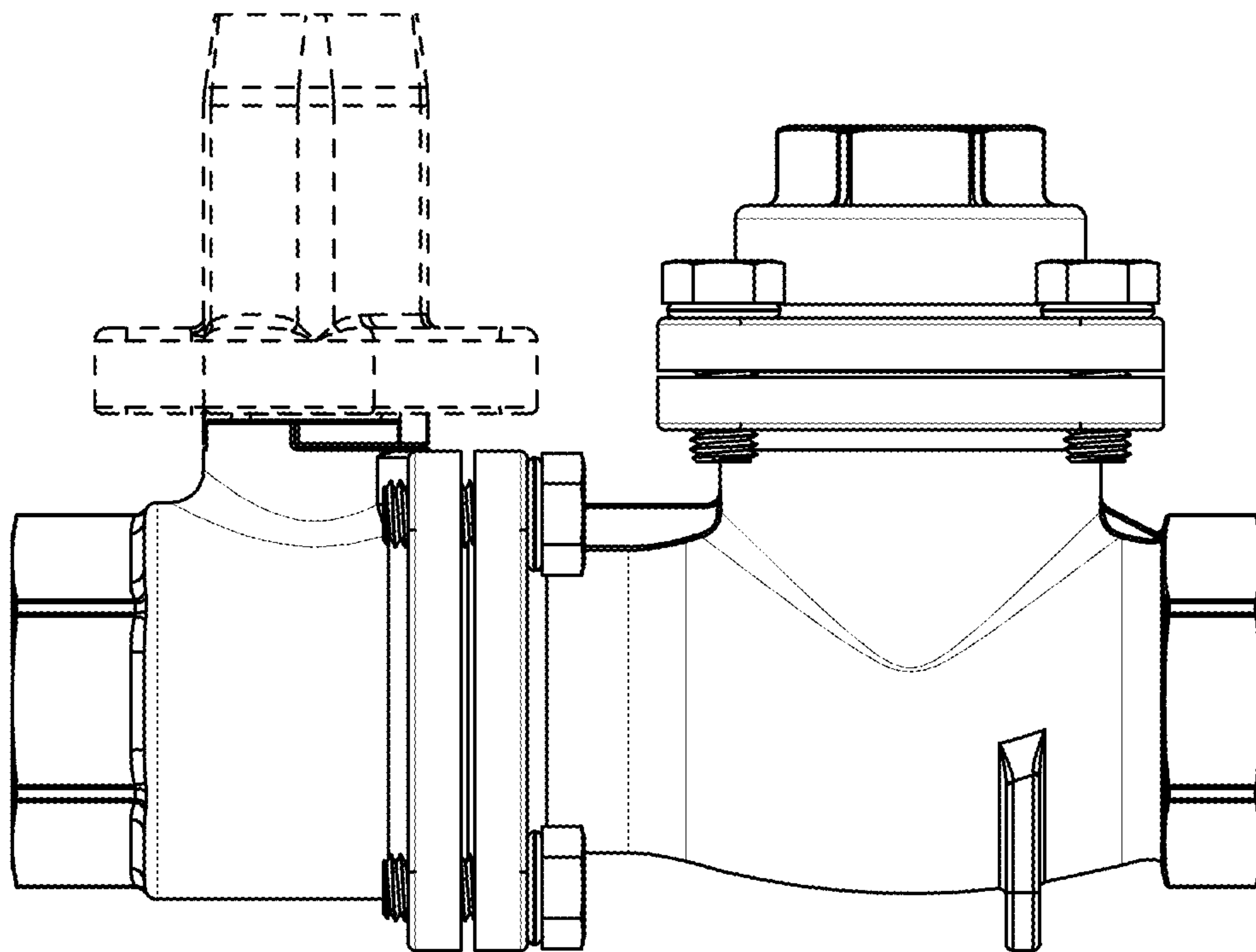
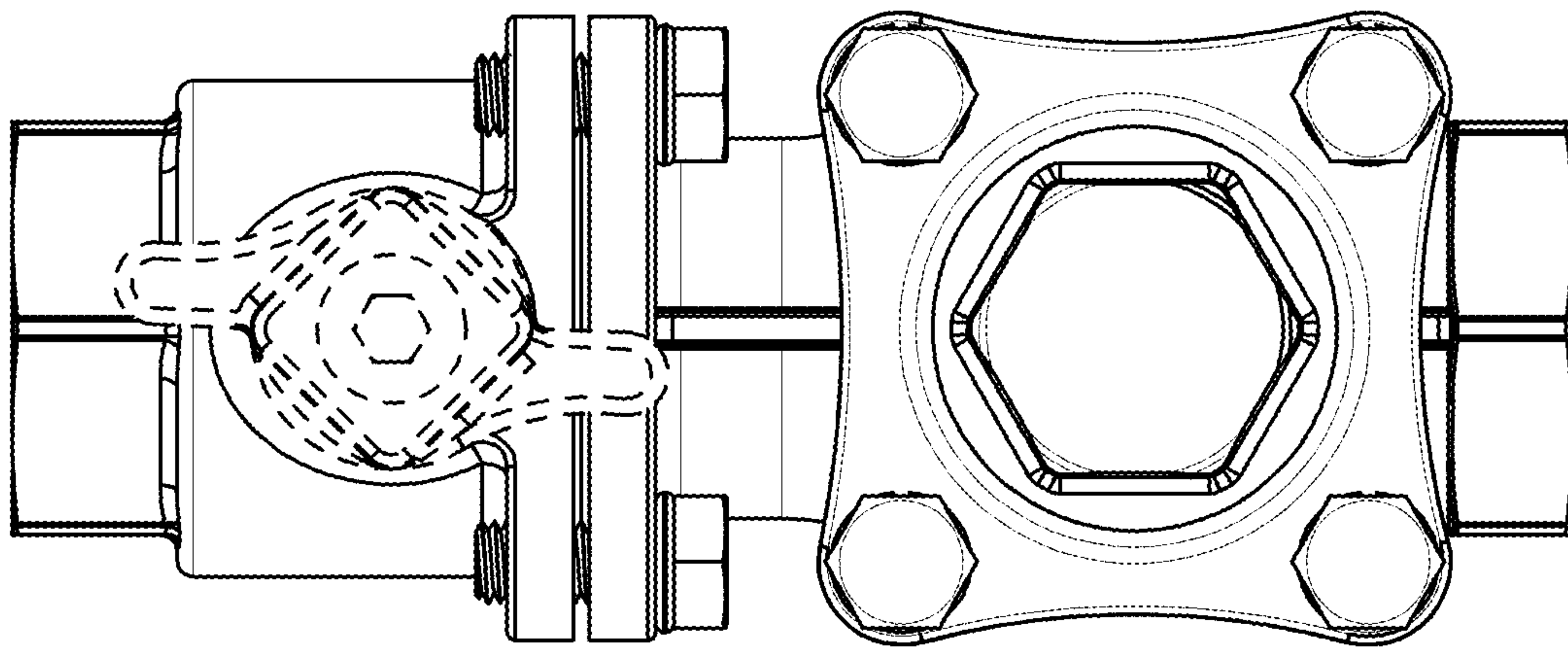
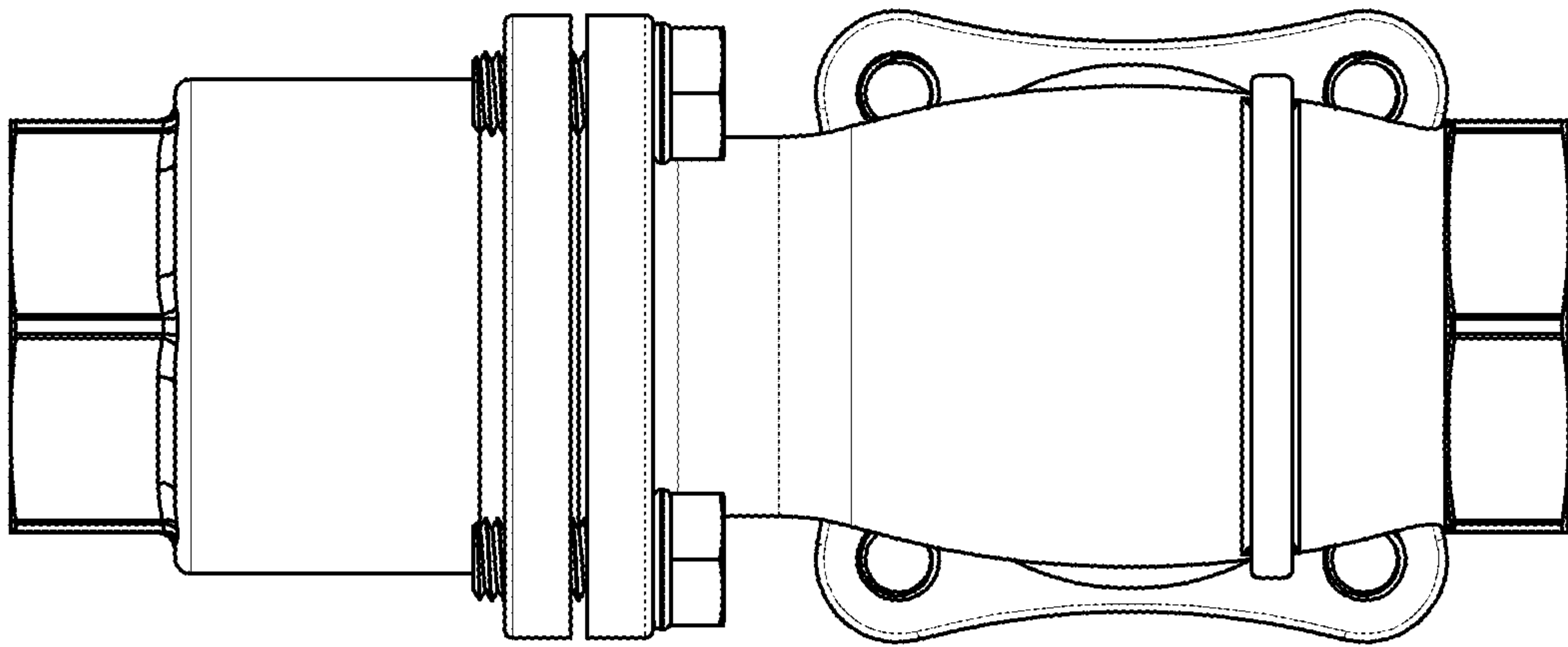


FIG. 5



*FIG. 6*



*FIG. 7*